



US00D773645S

(12) **United States Design Patent** (10) **Patent No.:** **US D773,645 S**
Lee (45) **Date of Patent:** **** Dec. 6, 2016**

(54) **NEBULIZER**
(71) Applicant: **Wen-Ching Lee**, Taichung (TW)
(72) Inventor: **Wen-Ching Lee**, Taichung (TW)
(**) Term: **15 Years**
(21) Appl. No.: **29/528,746**
(22) Filed: **Jun. 1, 2015**

(30) **Foreign Application Priority Data**

Dec. 12, 2014 (TW) 103307327

(51) **LOC (10) Cl.** **29-02**

(52) **U.S. Cl.**
USPC **D24/110**

(58) **Field of Classification Search**
USPC D24/107-108, 110-114, 127, 162,
164,D24/185-186
CPC A61M 15/0065; A61M 11/005; A61M
15/0091; A61M 15/0085; A61M 11/00;
A61M 15/00; A61M 11/04; A61M 16/00
See application file for complete search history.

(56) **References Cited**

U.S. PATENT DOCUMENTS

D441,069 S * 4/2001 Hammarlund D24/110
6,223,745 B1 * 5/2001 Hammarlund A61M 11/06
128/200.14
6,929,003 B2 * 8/2005 Blacker A61M 11/06
128/200.24
7,721,729 B2 * 5/2010 Von Hollen A61M 15/0085
128/200.14
8,677,989 B2 * 3/2014 Tanaka A61M 11/06
128/200.18
D731,050 S * 6/2015 Meyer D24/110.5
D753,282 S * 4/2016 Lee D24/100
D757,245 S * 5/2016 Lee D24/110

2003/0136399 A1 * 7/2003 Foley A61M 11/06
128/200.14
2008/0053456 A1 * 3/2008 Brown A61M 16/20
128/207.16
2008/0078383 A1 * 4/2008 Richards A61M 16/08
128/203.12
2008/0083409 A1 * 4/2008 Hamaguchi A61M 11/06
128/200.24
2012/0085343 A1 * 4/2012 Cortez A61M 11/02
128/200.14
2012/0227735 A1 * 9/2012 Abate A61M 11/06
128/200.14
2014/0000597 A1 * 1/2014 Korneff A61M 11/06
128/203.12

(Continued)

Primary Examiner — Barbara Fox
Assistant Examiner — Lilyana Bekic
(74) *Attorney, Agent, or Firm* — Rosenberg, Klein & Lee

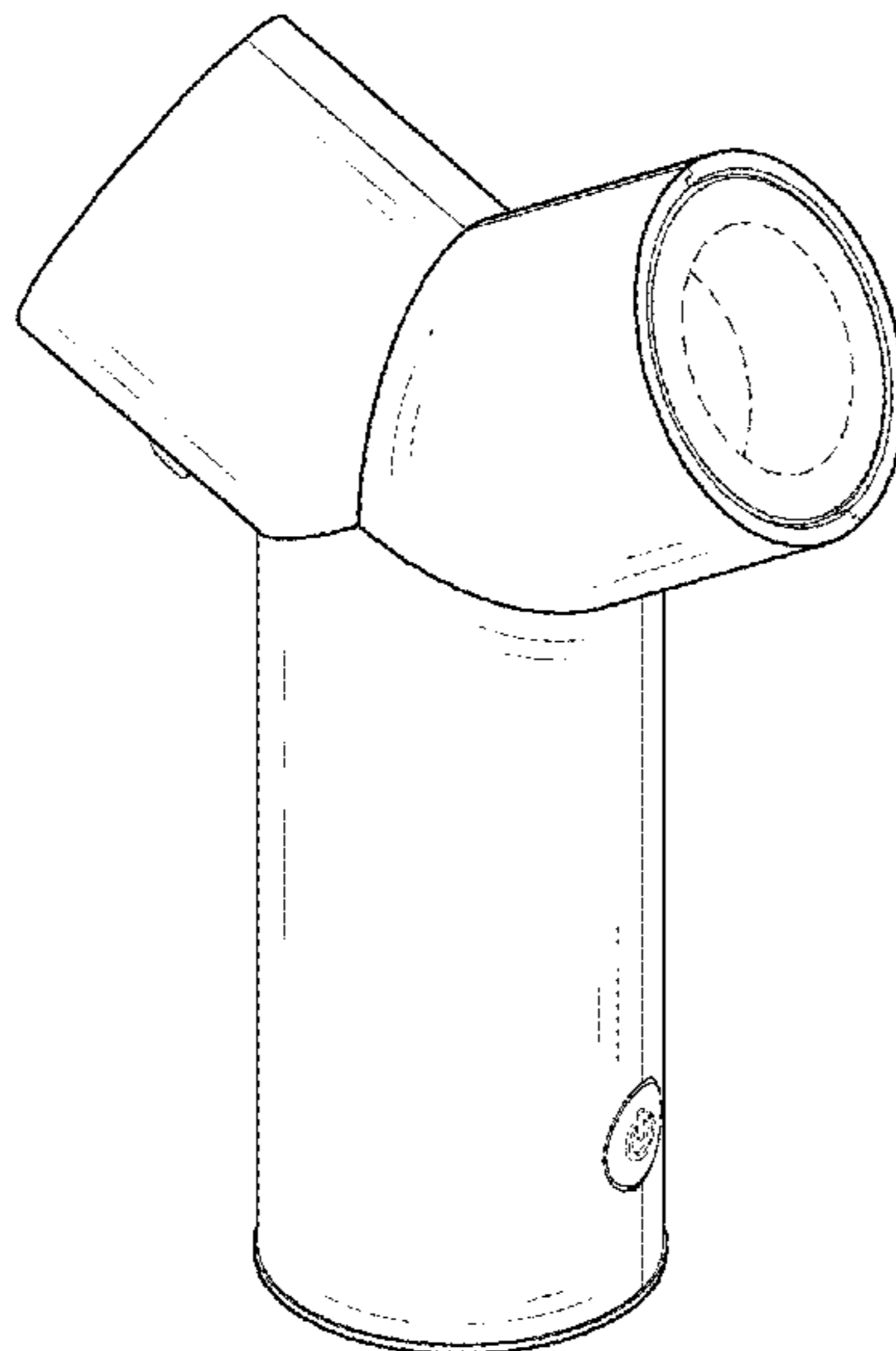
(57) **CLAIM**

The ornamental design for a nebulizer, as shown and described.

DESCRIPTION

FIG. 1 is a perspective view of a nebulizer showing my new design;
FIG. 2 is a right side view thereof;
FIG. 3 is a left side view thereof;
FIG. 4 is a front view thereof;
FIG. 5 is a rear view thereof;
FIG. 6 is a top plan view thereof;
FIG. 7 is a bottom plan view thereof; and,
FIG. 8 is a perspective view of the nebulizer shown with an attachment.
The broken lines showing the attachment in FIG. 8 illustrates the environment of the claimed design and form no part thereof. All other broken lines illustrate portions of the nebulizer that form no part of the claimed design.

1 Claim, 8 Drawing Sheets



(56)

References Cited

U.S. PATENT DOCUMENTS

2014/0048062 A1* 2/2014 Faram A61M 11/00
128/200.18
2014/0166010 A1* 6/2014 Varga A61M 16/14
128/203.29
2014/0263740 A1* 9/2014 Esaki A61M 11/06
239/302
2015/0231341 A1* 8/2015 Korneff A61M 11/02
128/200.23

* cited by examiner

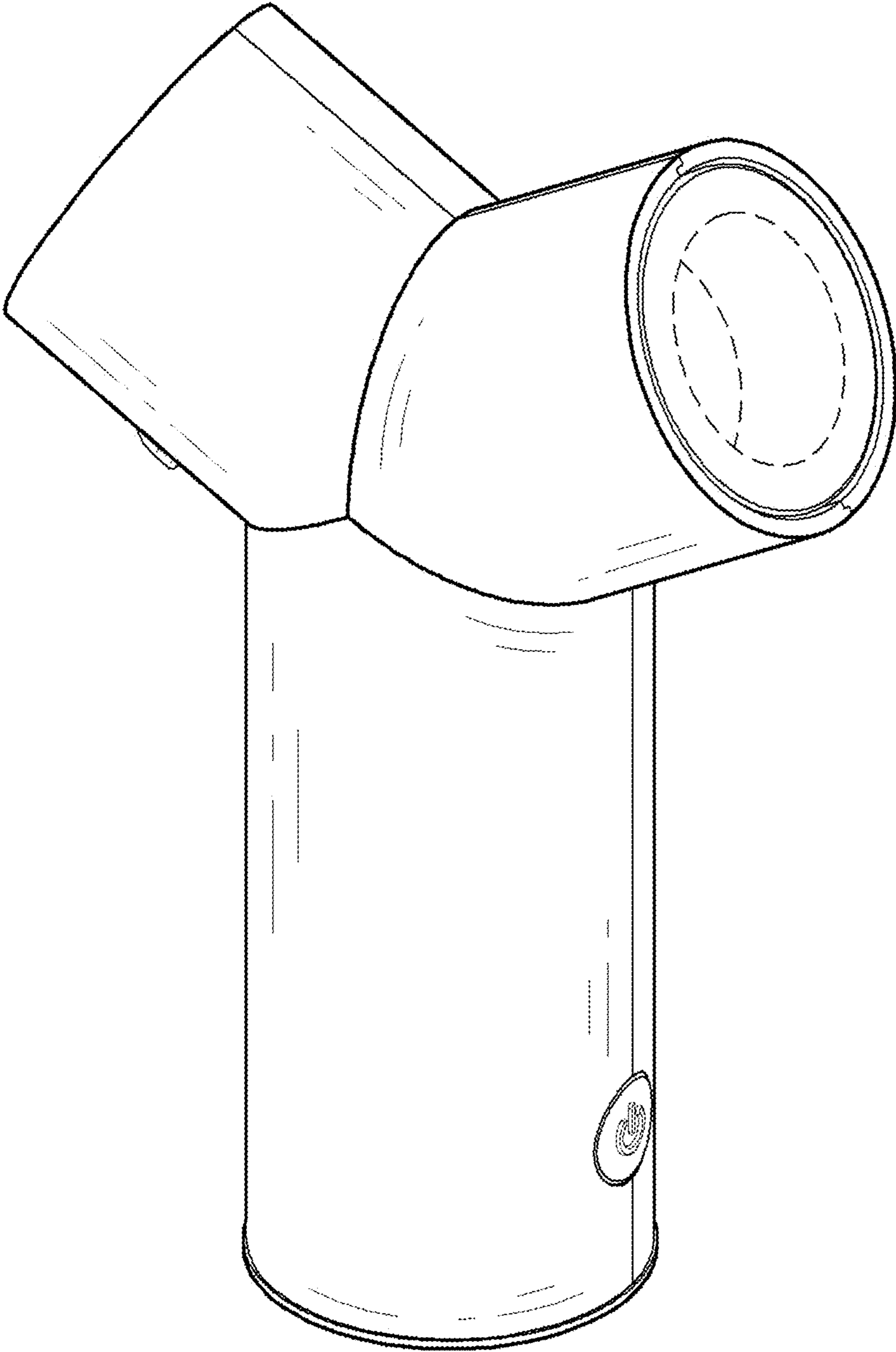


FIG.1

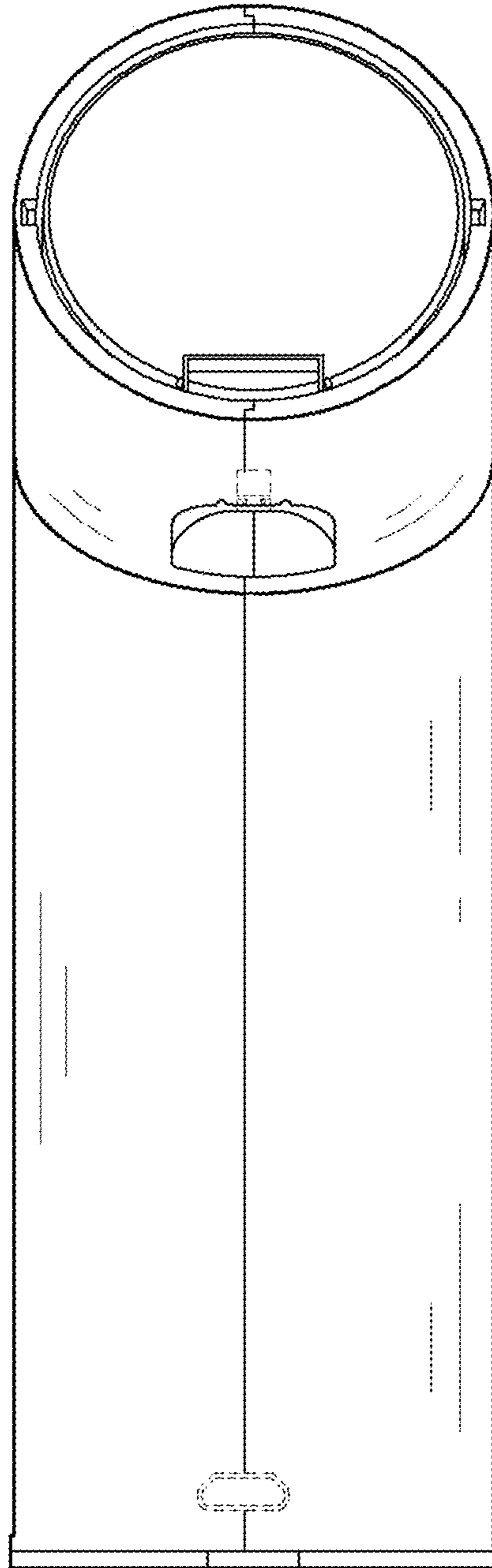


FIG.2

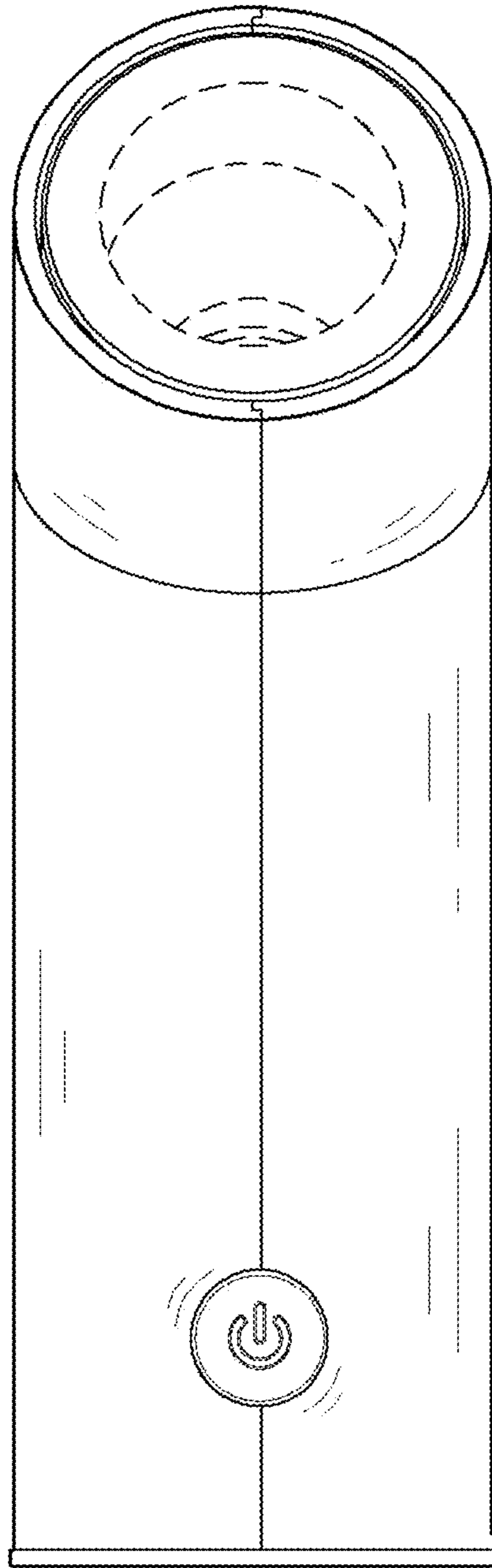


FIG.3

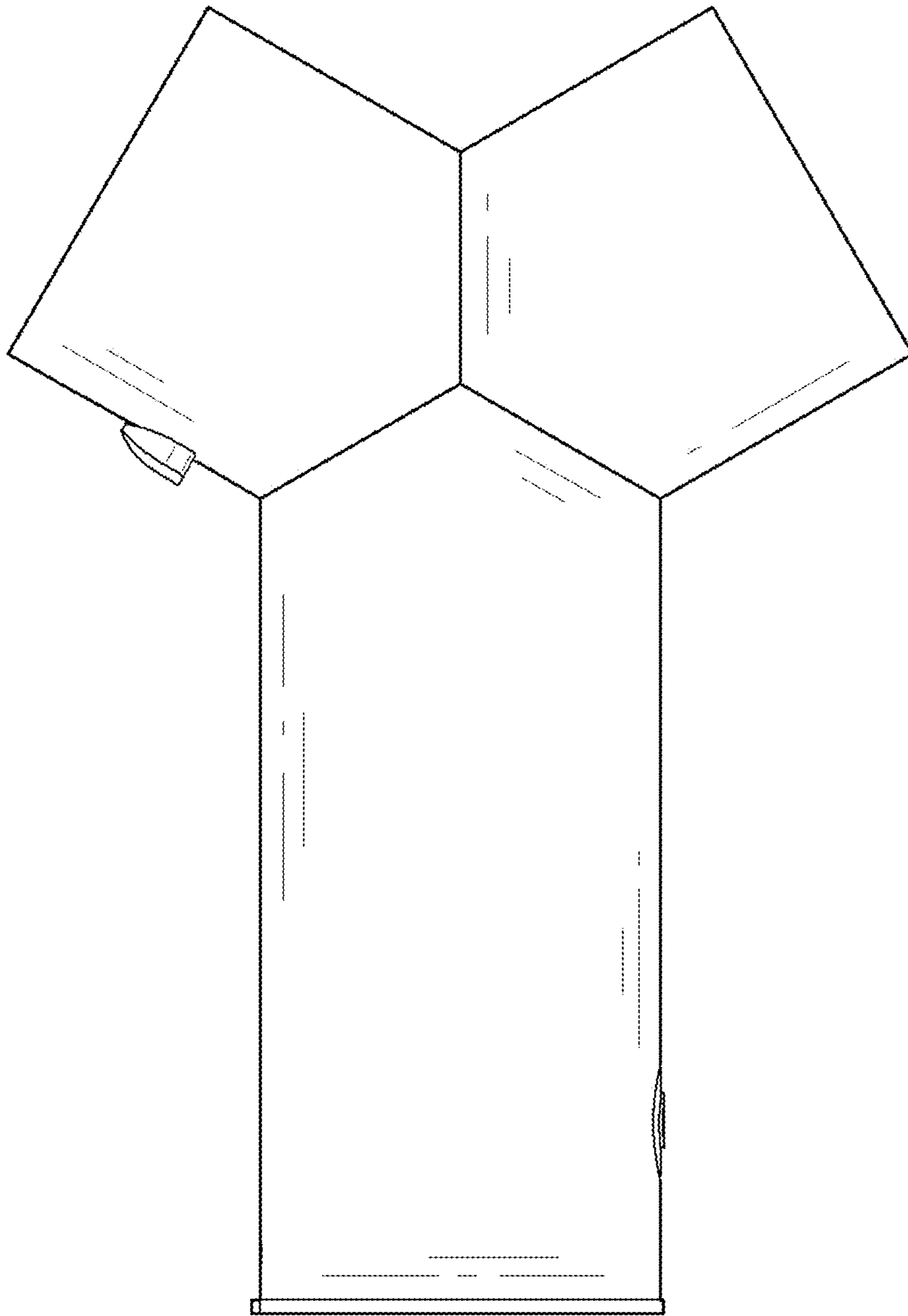


FIG.4

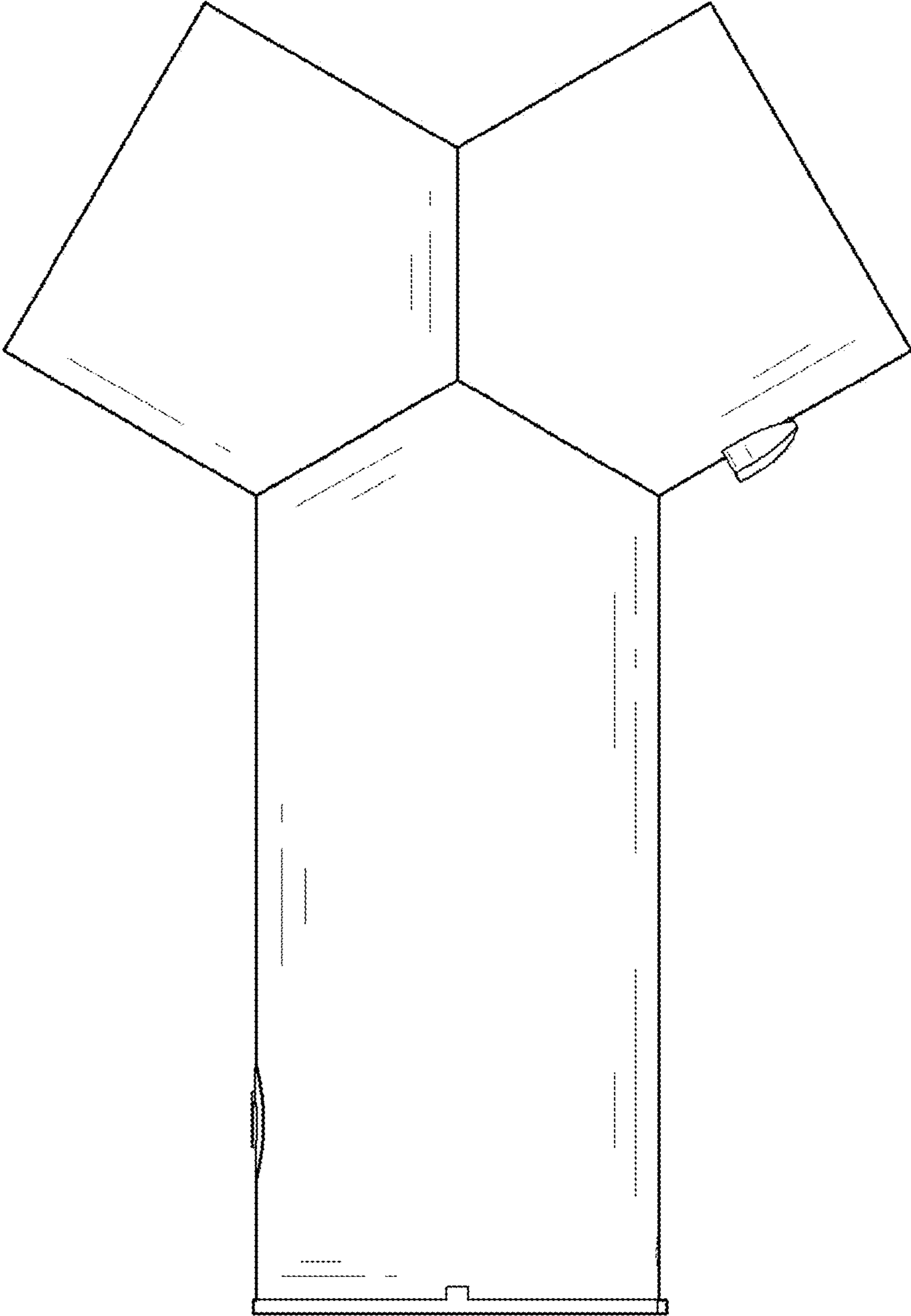


FIG.5

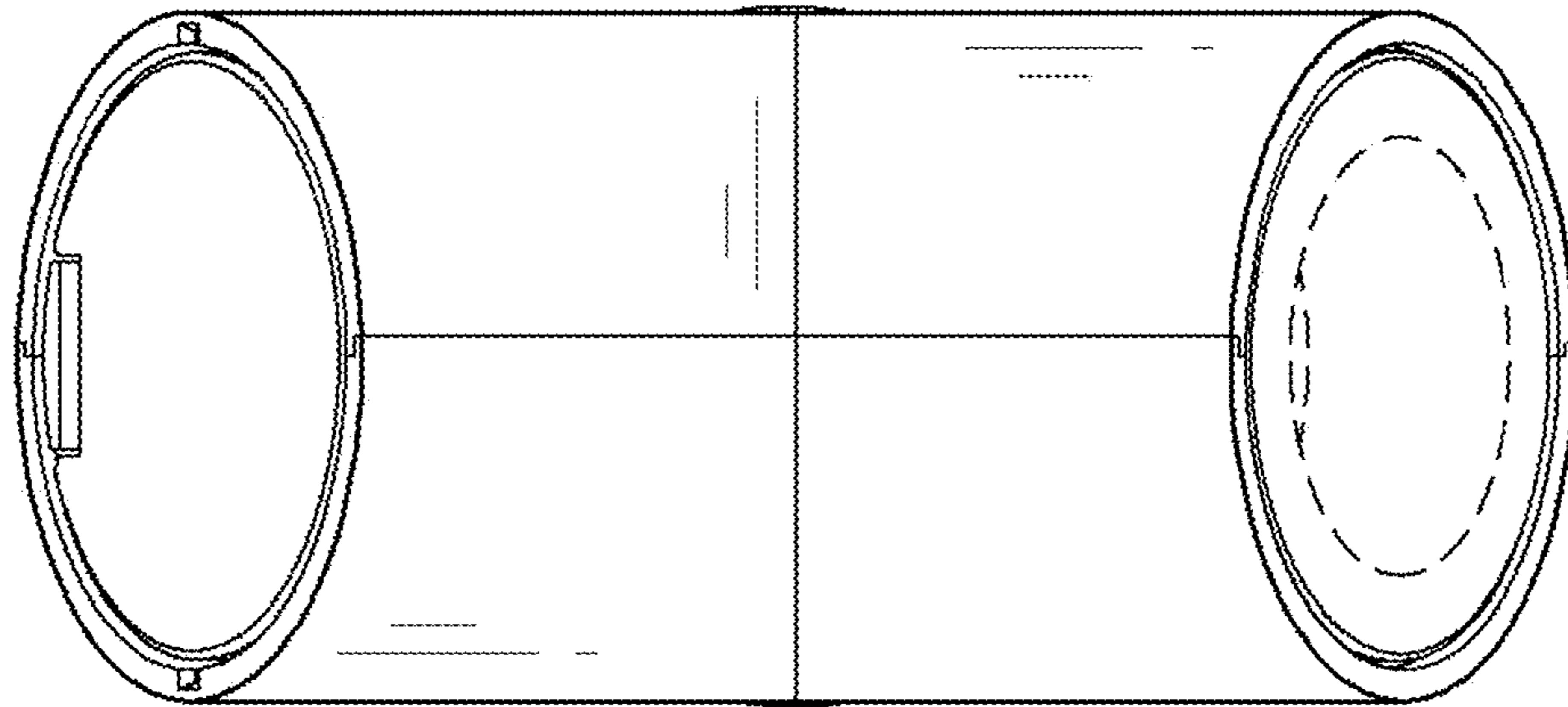


FIG.6

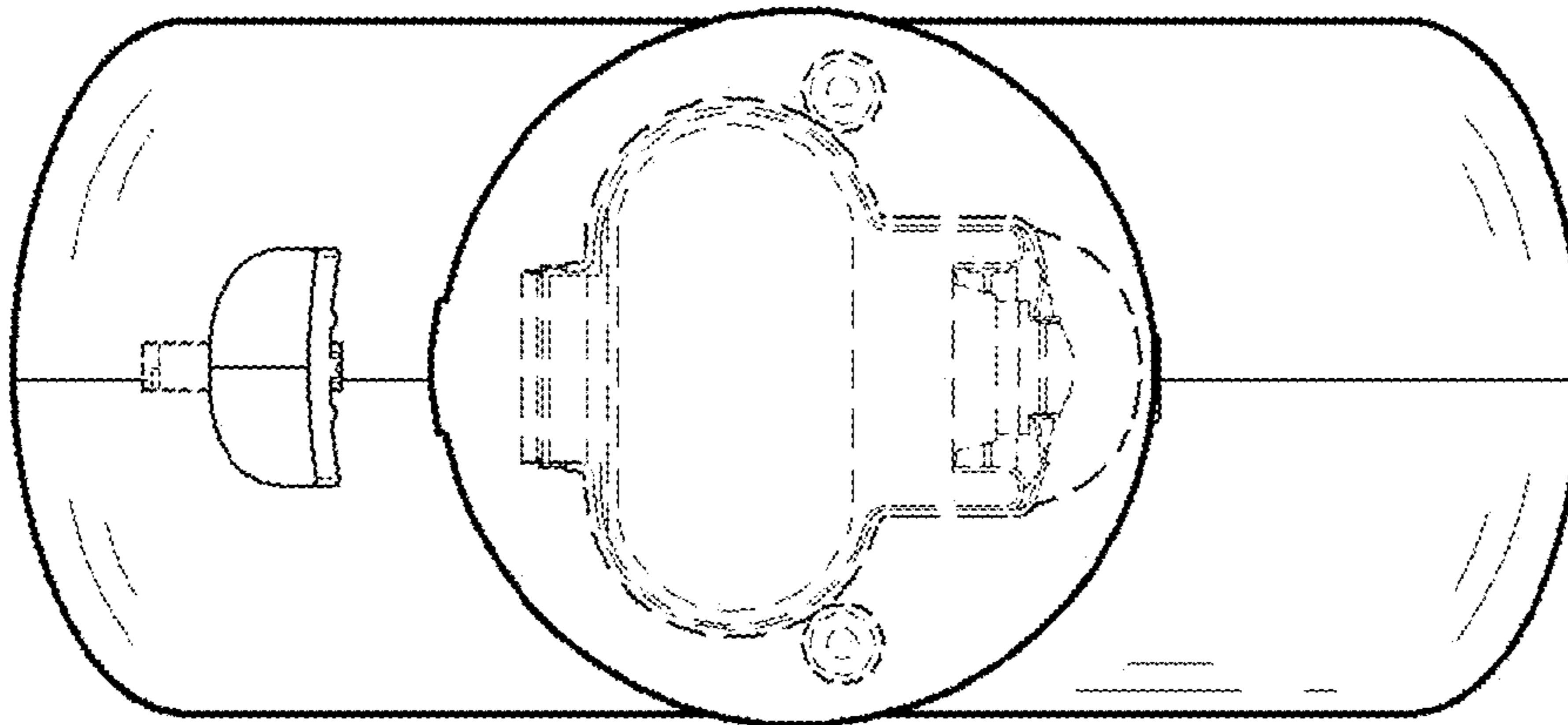


FIG.7

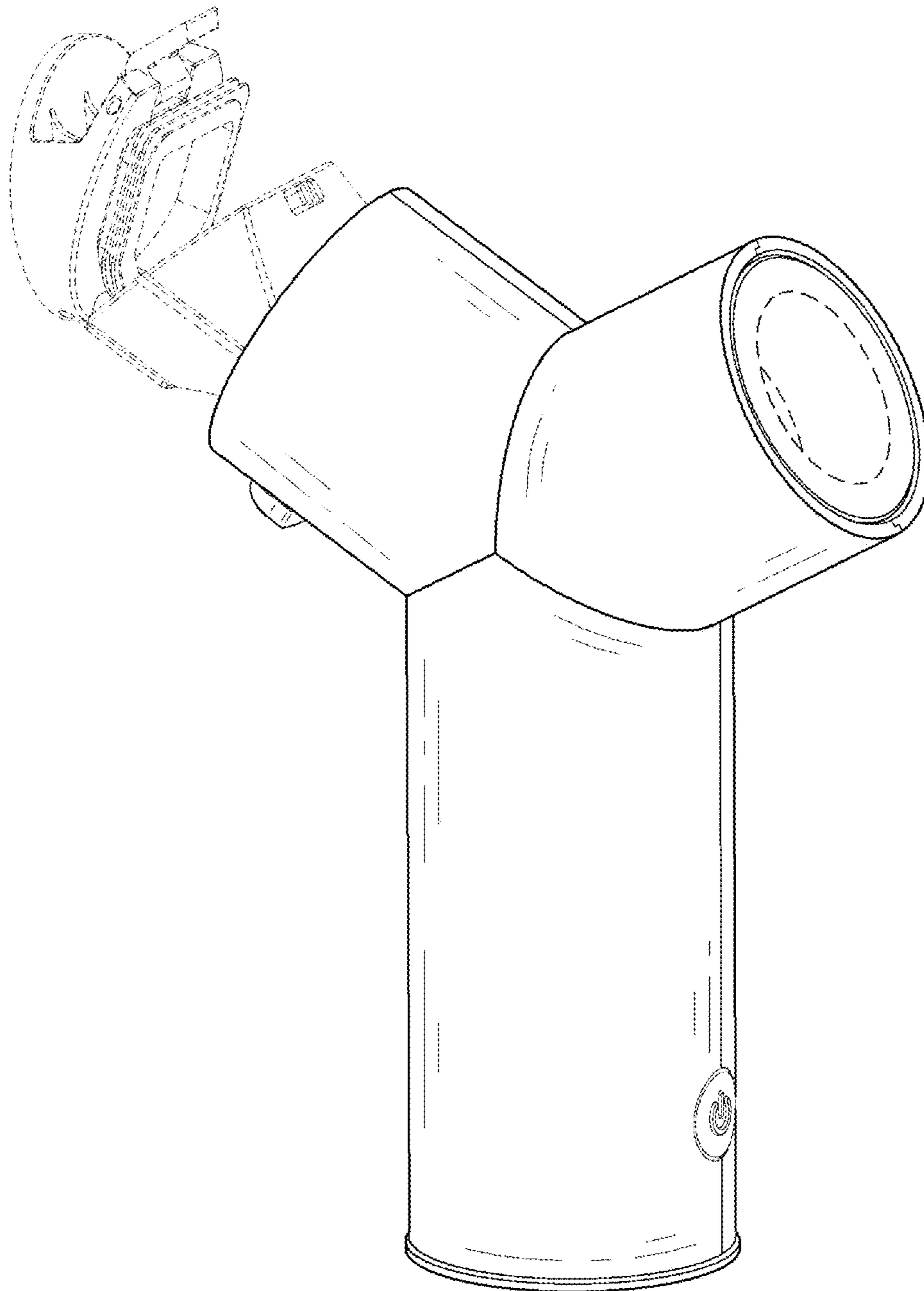


FIG.8