



US00D773644S

(12) **United States Design Patent** (10) **Patent No.:** **US D773,644 S**
Djupesland (45) **Date of Patent:** **** Dec. 6, 2016**

(54) **NOSEPIECE UNIT**

FOREIGN PATENT DOCUMENTS

(71) Applicant: **OPTINOSE AS**, Oslo (NO)

WO WO 96/22802 8/1996
WO WO 98/53869 12/1998

(72) Inventor: **Per Gisle Djupesland**, Oslo (NO)

(Continued)

(73) Assignee: **OptiNose AS**, Oslo (NO)

Primary Examiner — Wan Laymon
Assistant Examiner — Mark Booker

(**) Term: **14 Years**

(74) *Attorney, Agent, or Firm* — Finnegan, Henderson, Farabow, Garrett & Dunner, LLP

(21) Appl. No.: **29/517,303**

(22) Filed: **Feb. 11, 2015**

(57) **CLAIM**

Related U.S. Application Data

I claim the ornamental design for a nosepiece unit, as shown and described.

(62) Division of application No. 29/455,733, filed on May 23, 2013.

(51) **LOC (10) Cl.** **29-02**

(52) **U.S. Cl.**
USPC **D24/110**

(58) **Field of Classification Search**
USPC D24/110, 108, 110.5; 128/200.13,
128/200.14, 200.23, 200.24, 201.23,
201.28, 128/203.15, 203.18, 203.21,
203.22, 203.29, 128/204.11, 204.12,
206.11, 207.18

CPC A61M 15/08; A61M 15/085; A61M 15/0021;
A61M 15/0098; A61M 2202/064; A61M
2210/0625; A61M 31/00

See application file for complete search history.

DESCRIPTION

FIG. 1 is a front, top perspective view of a first embodiment of a nosepiece unit showing the new design;
FIG. 2 is a front elevation view thereof;
FIG. 3 is a rear elevation view thereof;
FIG. 4 is a left side view thereof;
FIG. 5 is a right side view thereof;
FIG. 6 is a top plan view thereof;
FIG. 7 is a bottom plan view thereof;
FIG. 8 is a front, top perspective view of a second embodiment showing the new design;
FIG. 9 is a front elevation view thereof;
FIG. 10 is a rear elevation view thereof;
FIG. 11 is a left side view of the nosepiece unit of FIG. 8 thereof;
FIG. 12 is a right side view thereof;
FIG. 13 is a top plan view thereof; and,
FIG. 14 is a bottom plan view thereof.
The broken lines of even length shown in the drawings illustrate portion of the nosepiece unit that form no part of the claimed design. The dash-dot-dash broken lines define the bounds of the claimed design and form no part of the claimed design.

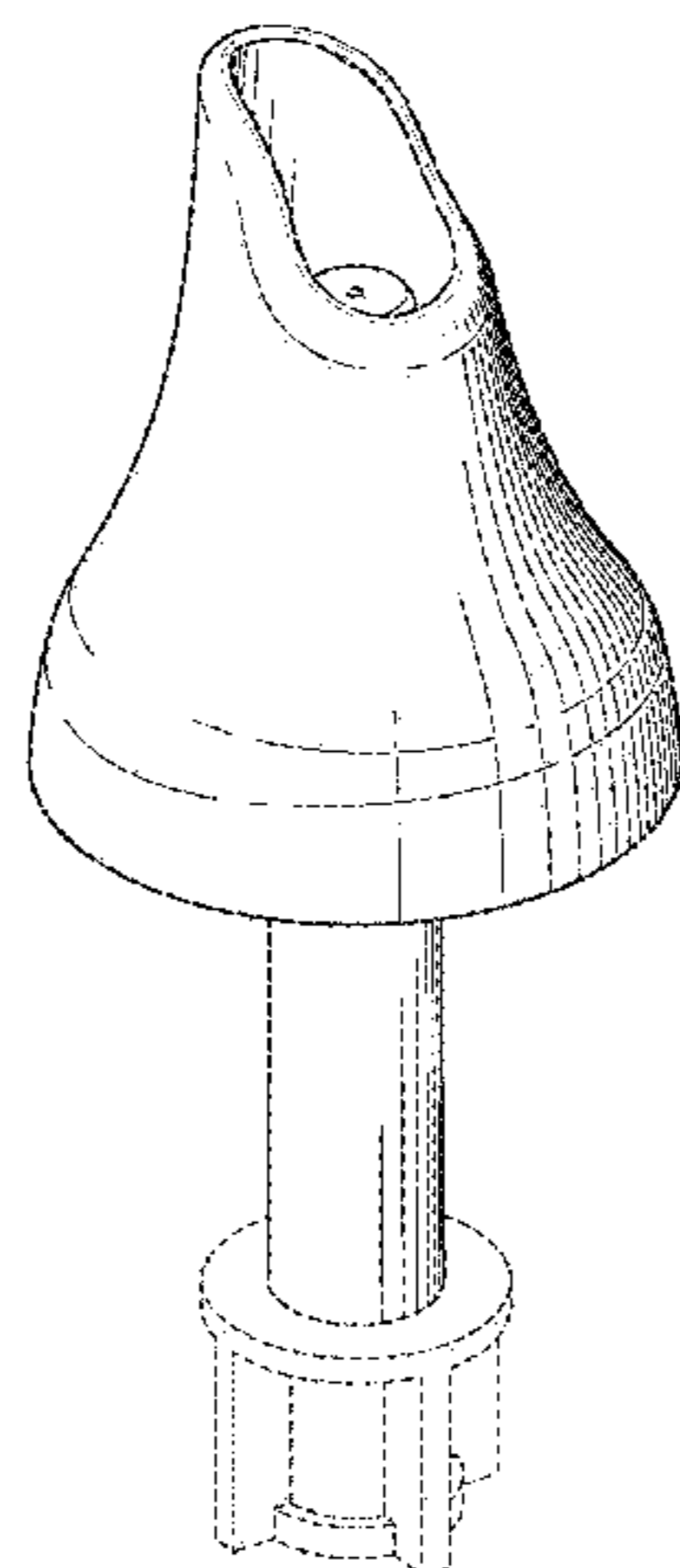
(56) **References Cited**

U.S. PATENT DOCUMENTS

605,436 A 6/1898 Kellogg
642,748 A 2/1900 Manners
746,749 A 12/1903 Seidel
5,797,392 A 8/1998 Keldmann
6,648,848 B1 11/2003 Keldmann et al.
D530,815 S 10/2006 Murphy et al.
7,784,460 B2* 8/2010 Djupesland A61M 15/00
128/203.12
8,590,530 B2 11/2013 Djupesland et al.

(Continued)

1 Claim, 14 Drawing Sheets



(56)

References Cited

U.S. PATENT DOCUMENTS

8,596,278	B2	12/2013	Djupesland	
8,800,555	B2	8/2014	Djupesland	
8,875,704	B2	11/2014	Djupesland et al.	
8,899,229	B2	12/2014	Djupesland et al.	
8,910,629	B2	12/2014	Djupesland et al.	
D723,156	S	2/2015	Djupesland et al.	
D725,769	S	3/2015	Djupesland et al.	
8,978,647	B2	3/2015	Djupesland et al.	
9,010,325	B2*	4/2015	Djupesland	A61M 15/0028 128/203.15
9,038,630	B2	5/2015	Djupesland et al.	
9,067,034	B2	6/2015	Djupesland et al.	
9,072,857	B2	7/2015	Djupesland	
9,108,015	B2	8/2015	Djupesland	
9,119,932	B2	9/2015	Djupesland	
9,132,249	B2	9/2015	Djupesland	
2004/0024330	A1	2/2004	Djupesland et al.	
2004/0112378	A1	6/2004	Djupesland	
2004/0112380	A1	6/2004	Djupesland	
2004/0149289	A1	8/2004	Djupesland	
2004/0182388	A1	9/2004	Djupesland	
2005/0028812	A1	2/2005	Djupesland	
2005/0072430	A1	4/2005	Djupesland	
2005/0235992	A1	10/2005	Djupesland	
2006/0096589	A1	5/2006	Djupesland	
2006/0107957	A1	5/2006	Djupesland	
2006/0169278	A1	8/2006	Djupesland et al.	
2007/0186927	A1	8/2007	Djupesland et al.	
2008/0161771	A1	7/2008	Djupesland	
2009/0101146	A1	4/2009	Djupesland	
2009/0314293	A1	12/2009	Djupesland	
2010/0051022	A1	3/2010	Djupesland et al.	
2010/0282246	A1*	11/2010	Djupesland	A61M 15/08 128/200.14
2011/0088691	A1	4/2011	Djupesland	
2013/0327320	A1	12/2013	Djupesland	
2014/0018295	A1	1/2014	Djupesland	
2014/0041660	A1	2/2014	Djupesland et al.	
2014/0060536	A1	3/2014	Djupesland	
2014/0073562	A1	3/2014	Djupesland	
2014/0144442	A1	5/2014	Djupesland et al.	
2014/0144443	A1	5/2014	Djupesland et al.	
2014/0166008	A1	6/2014	Djupesland	
2014/0202456	A1	7/2014	Djupesland	
2014/0246022	A1	9/2014	Djupesland et al.	
2015/0007811	A1	1/2015	Djupesland et al.	
2015/0013670	A1*	1/2015	Djupesland	A61M 15/009 128/200.21

2015/0013677	A1*	1/2015	Djupesland	A61M 15/08 128/203.18
2015/0053201	A1	2/2015	Djupesland et al.	
2015/0090259	A1	4/2015	Djupesland et al.	
2015/0101605	A1	4/2015	Djupesland et al.	
2015/0144129	A1	5/2015	Djupesland et al.	
2015/0182709	A1*	7/2015	Djupesland	A61M 15/00 128/200.23

FOREIGN PATENT DOCUMENTS

WO	WO 00/51672	9/2000
WO	WO 01/97689	12/2001
WO	WO 02/068029	9/2002
WO	WO 02/068030	9/2002
WO	WO 02/068031	9/2002
WO	WO 02/068032	9/2002
WO	WO 03/000310	1/2003
WO	WO 03/020350	3/2003
WO	WO 03/082393	10/2003
WO	WO 03/084591	10/2003
WO	WO 03/090812	11/2003
WO	WO 2004/004814	1/2004
WO	WO 2004/004922	1/2004
WO	WO 2004/060433	7/2004
WO	WO 2004/103447	12/2004
WO	WO 2005/016423	2/2005
WO	WO 2005/021059	3/2005
WO	WO 2006/030210	3/2006
WO	WO 2006/090149	8/2006
WO	WO 2007/083073	7/2007
WO	WO 2007/093784	8/2007
WO	WO 2007/093791	8/2007
WO	WO 2007/099361	9/2007
WO	WO 2007/102089	9/2007
WO	WO 2007/107887	9/2007
WO	WO 2007/125318	11/2007
WO	WO 2007/141541	12/2007
WO	WO 2008/012531	1/2008
WO	WO 2008/065403	6/2008
WO	WO 2008/081326	7/2008
WO	WO 2008/081327	7/2008
WO	WO 2008/122791	10/2008
WO	WO 2008/122795	10/2008
WO	WO 2009/044172	4/2009
WO	WO 2010/029441	3/2010
WO	WO 2012/035427	3/2012
WO	WO 2012/123819	9/2012
WO	WO 2013/124491	8/2013
WO	WO 2013/124492	8/2013
WO	WO 2013/124493	8/2013
WO	WO 2014/155192	10/2014

* cited by examiner

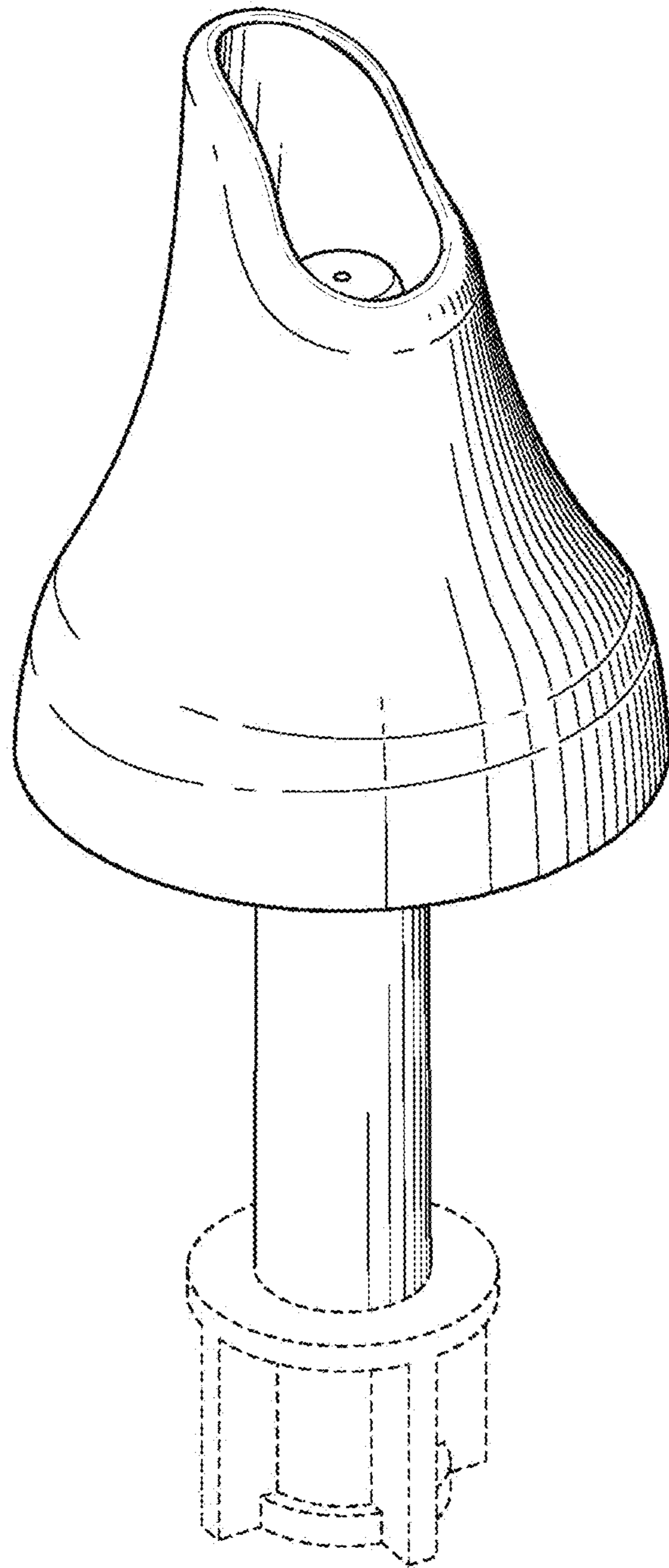


FIG. 1

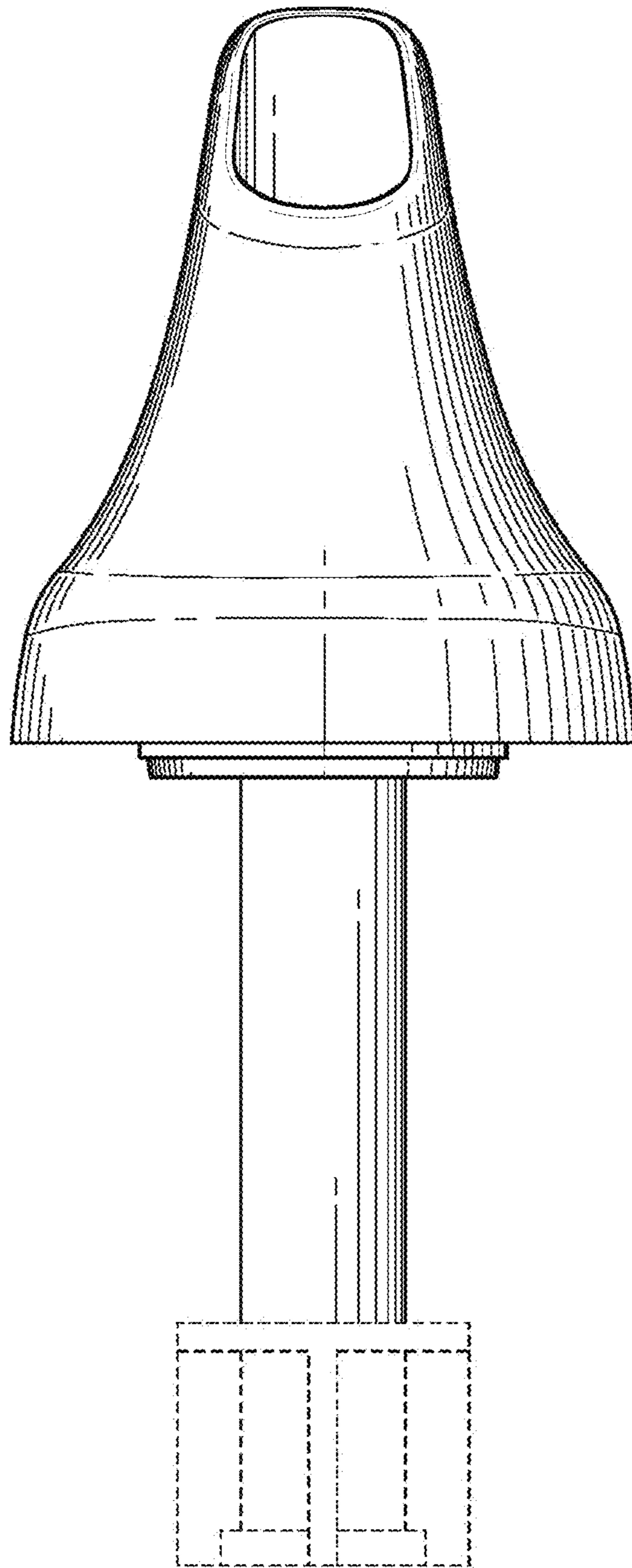


FIG. 2

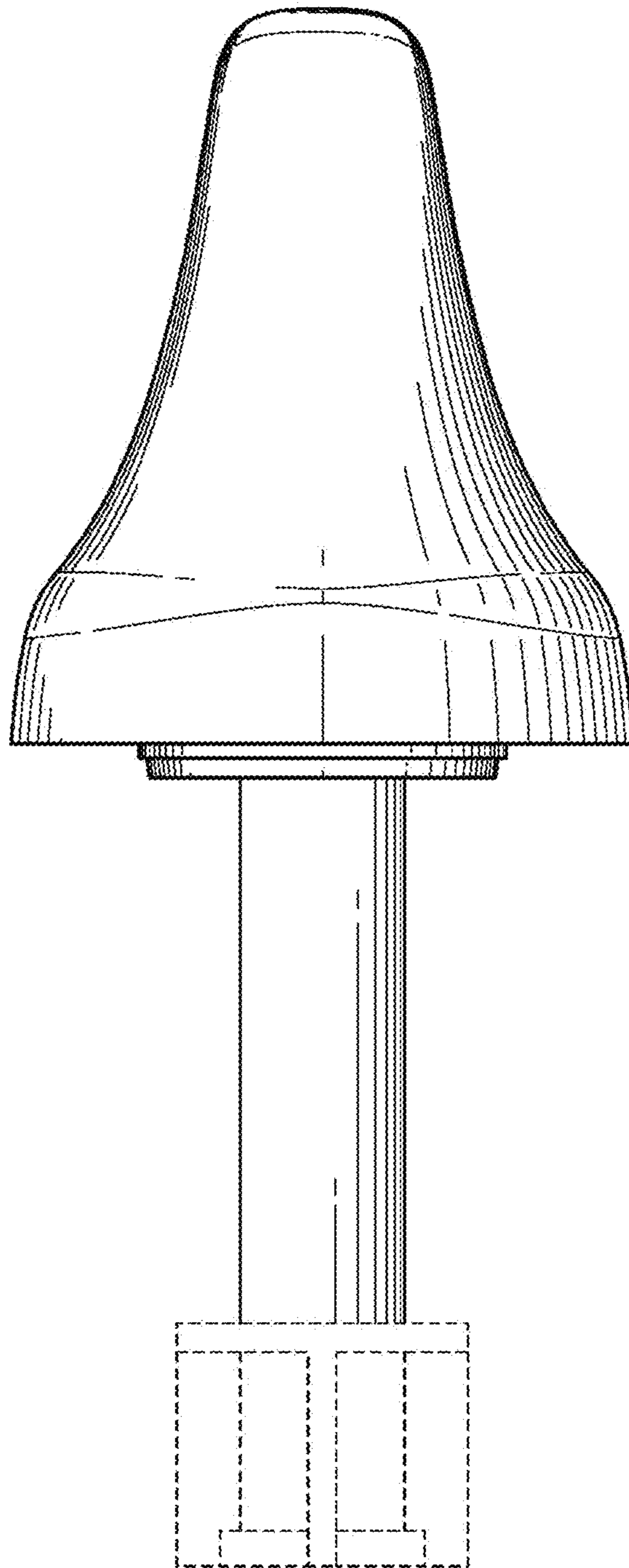


FIG. 3

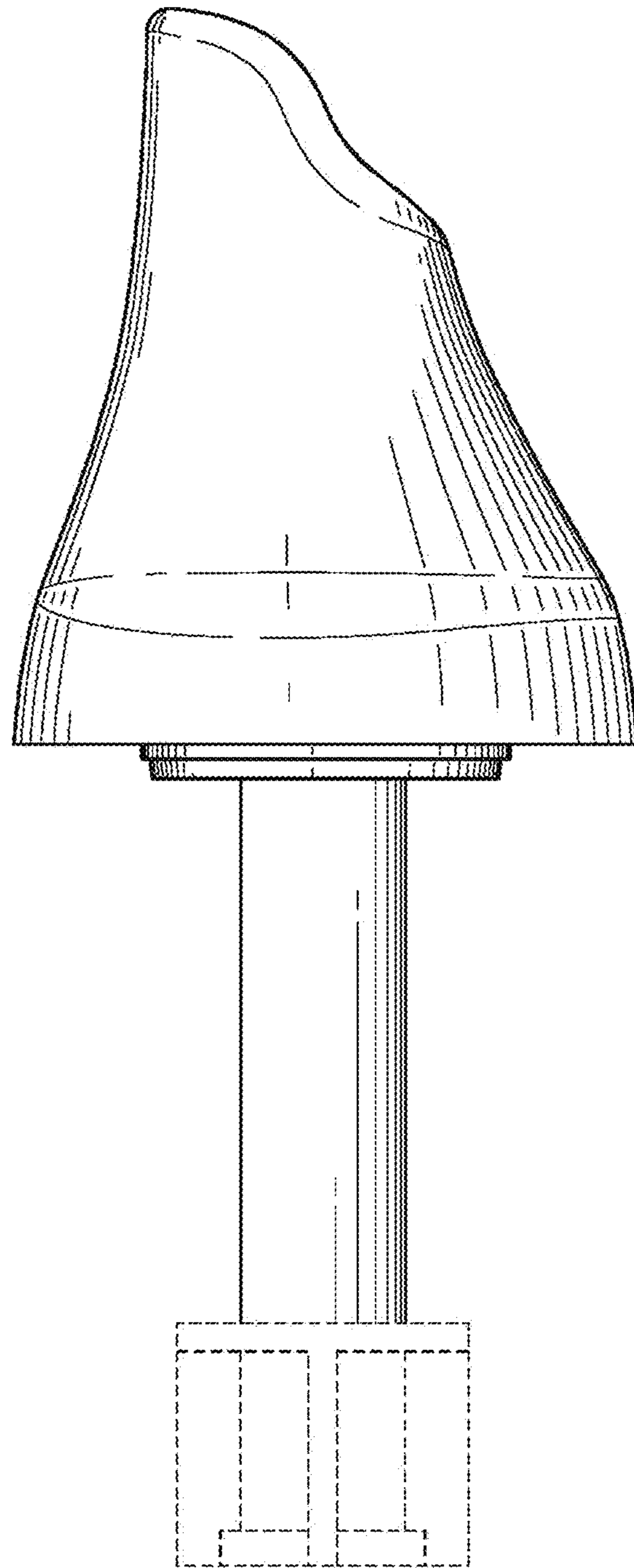


FIG. 4

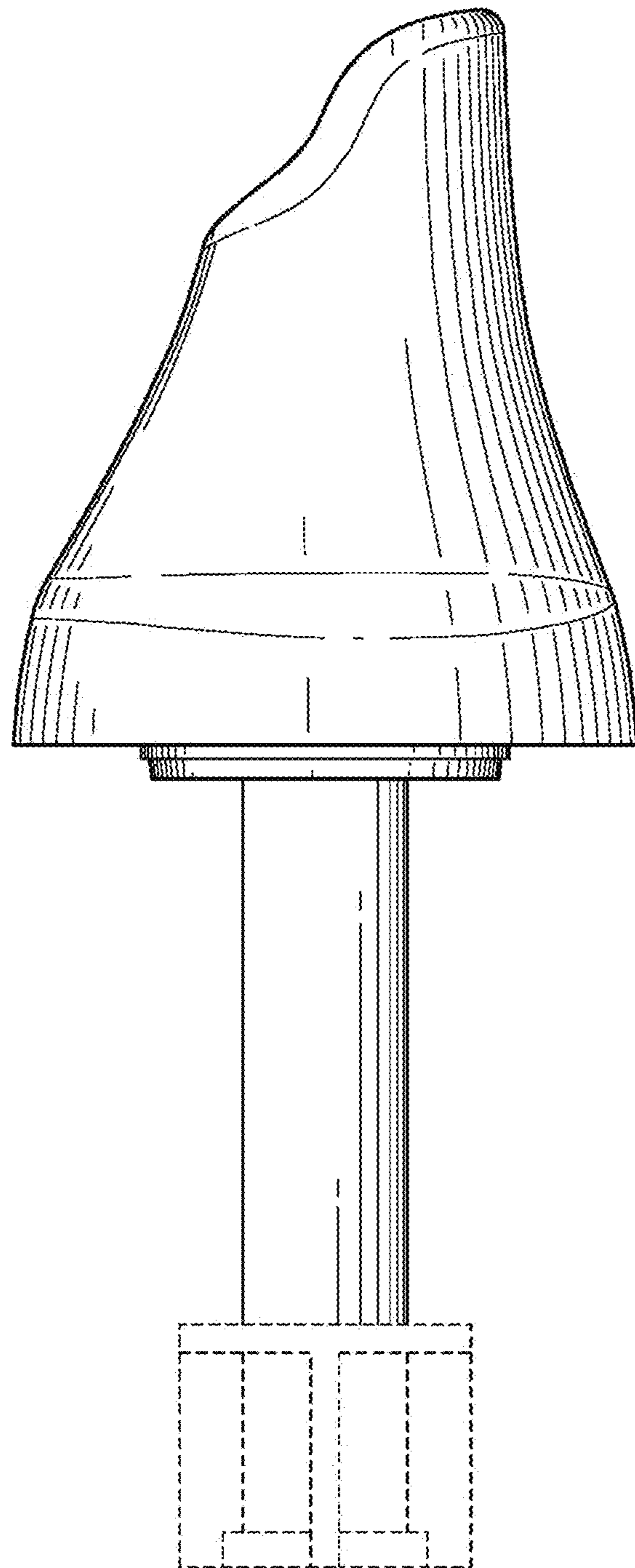


FIG. 5

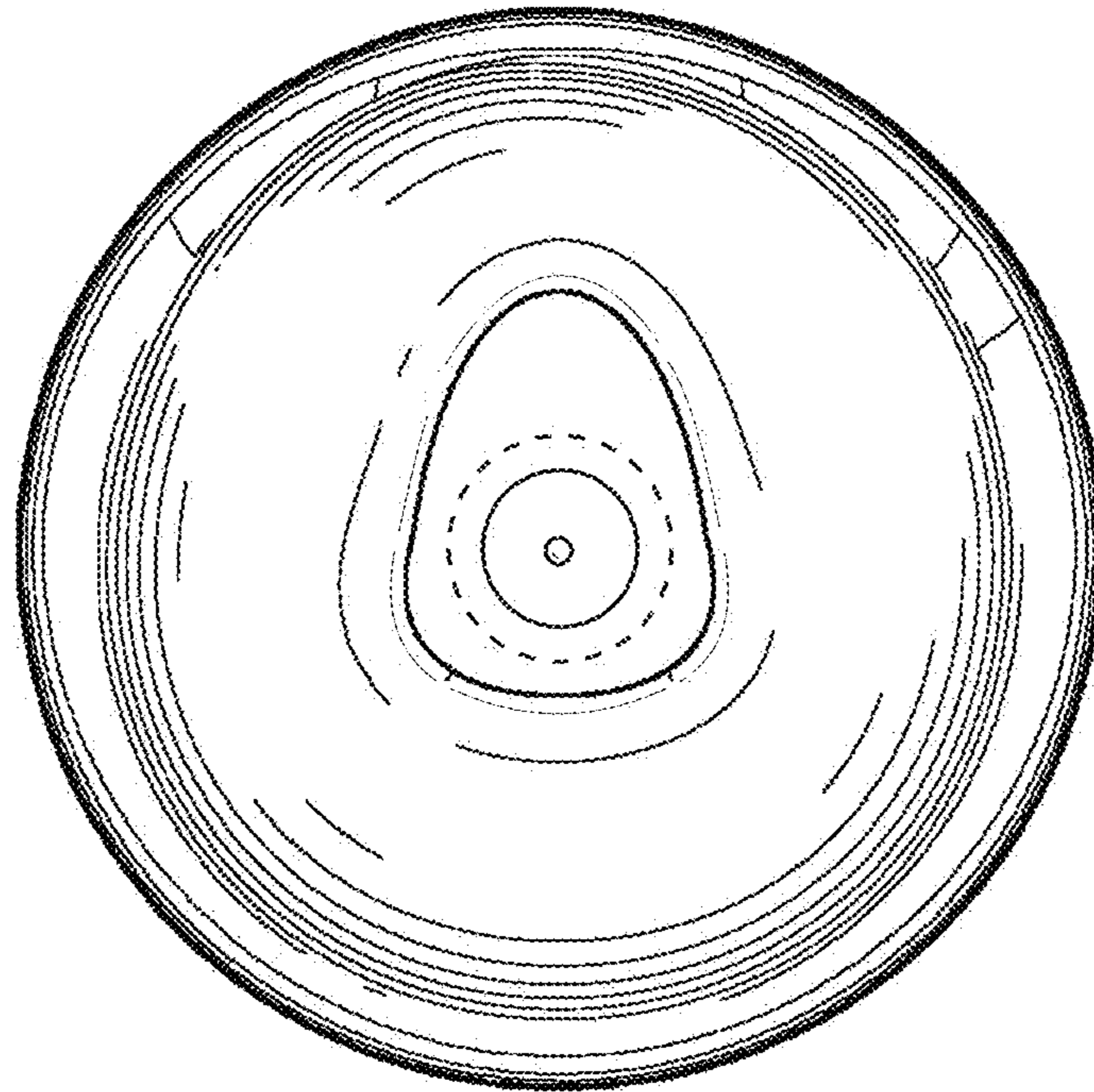


FIG. 6

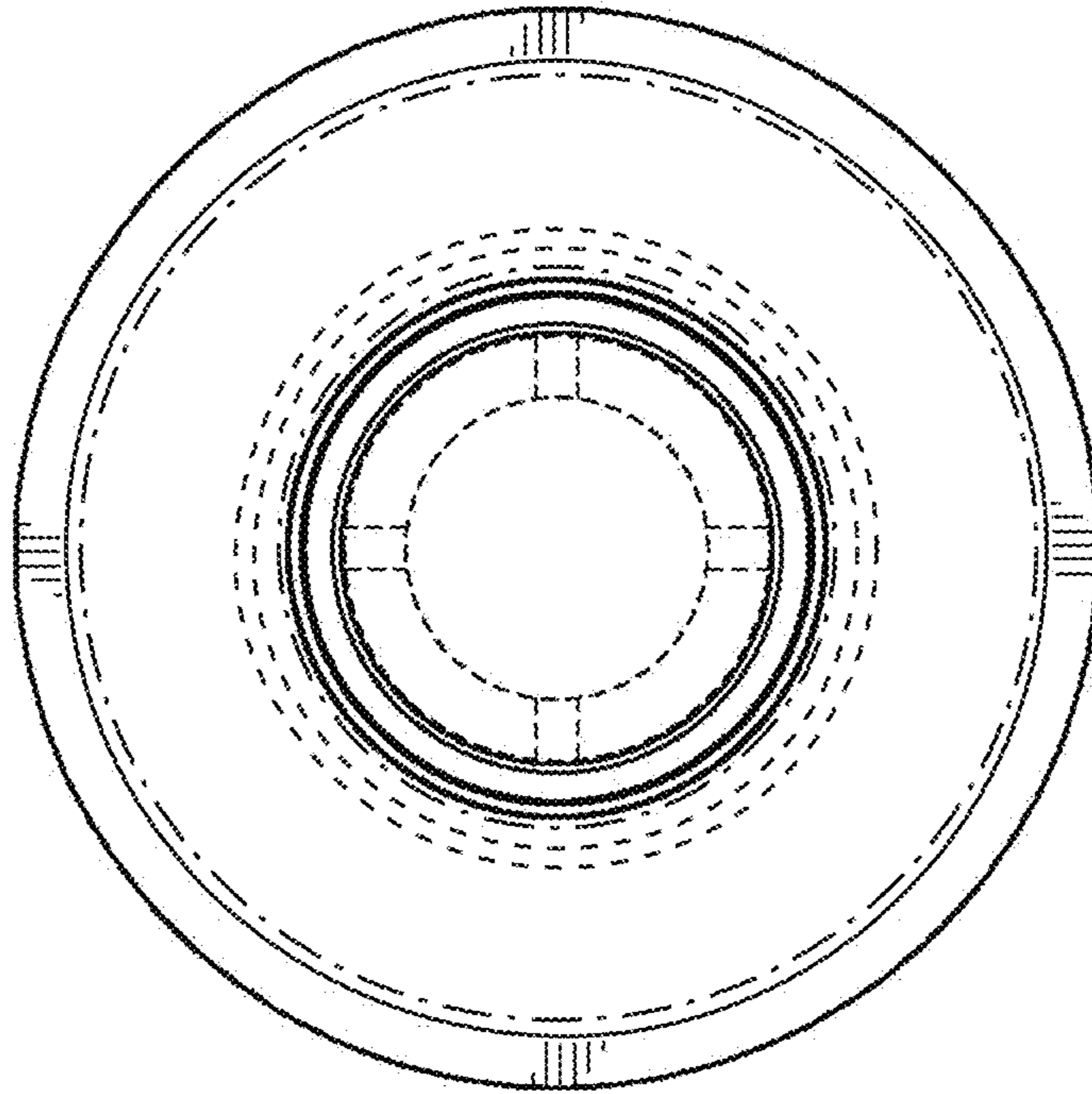


FIG. 7

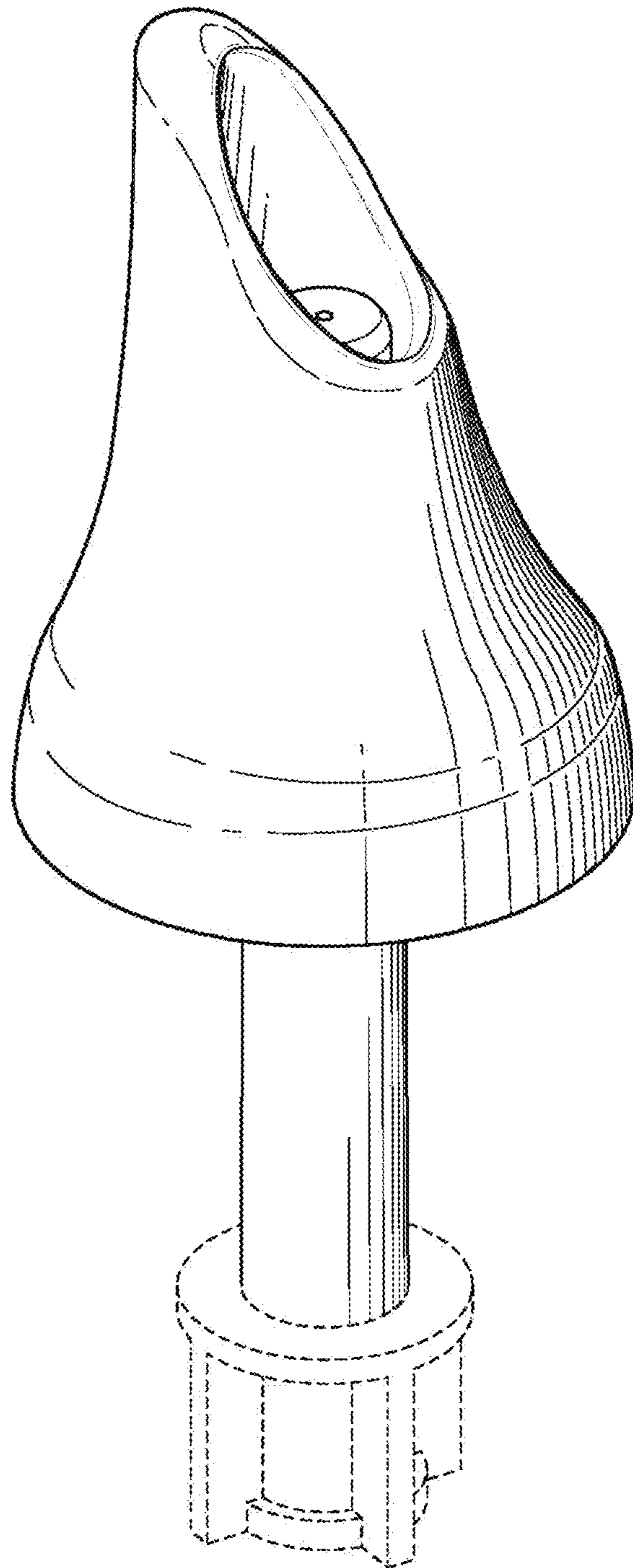


FIG. 8

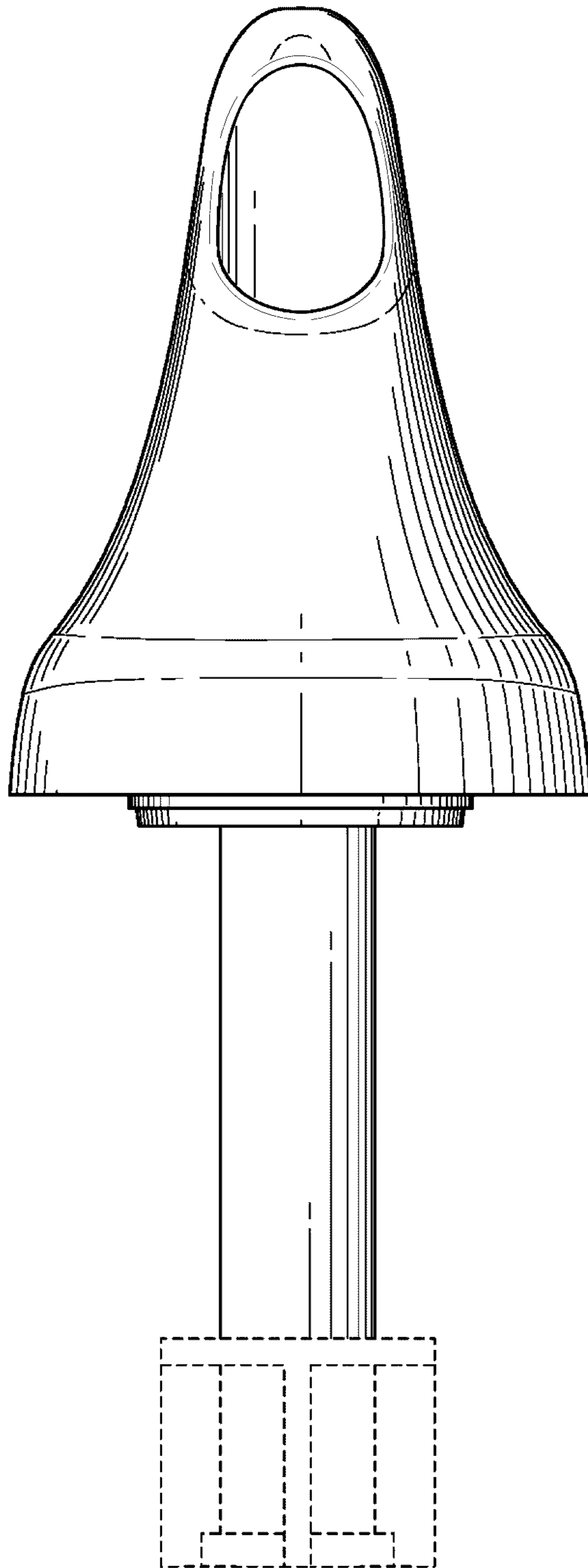


FIG. 9

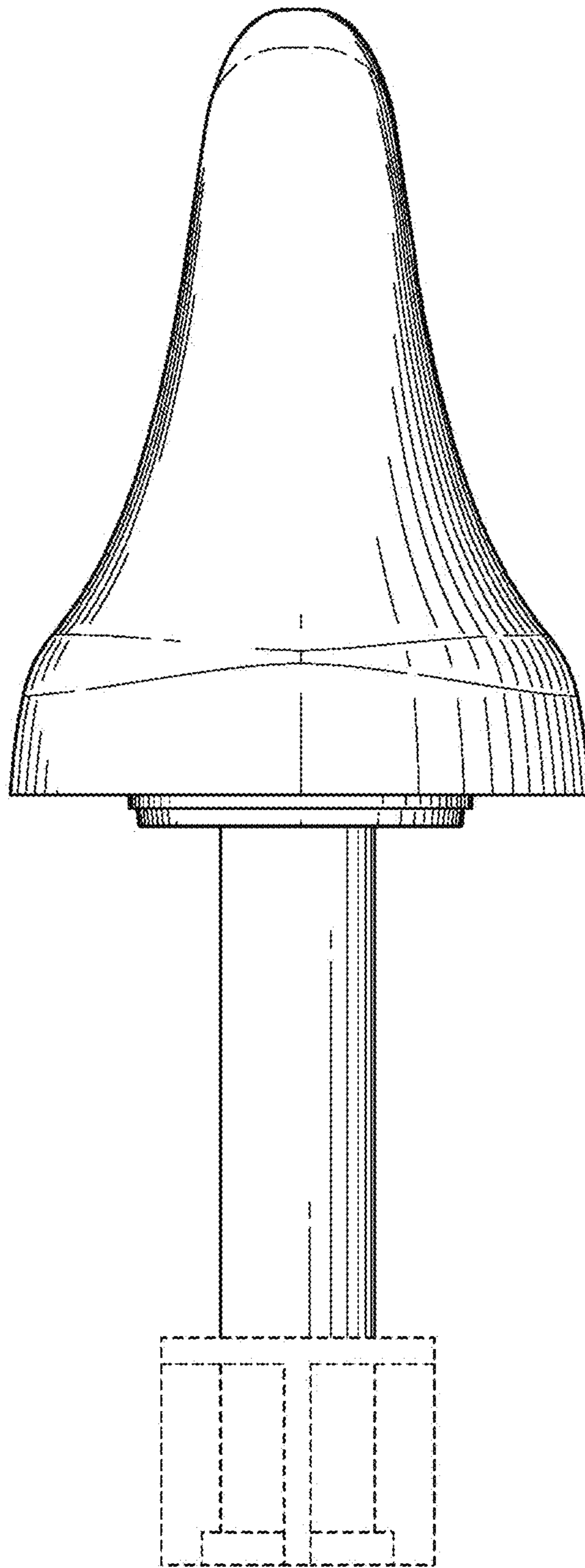


FIG. 10

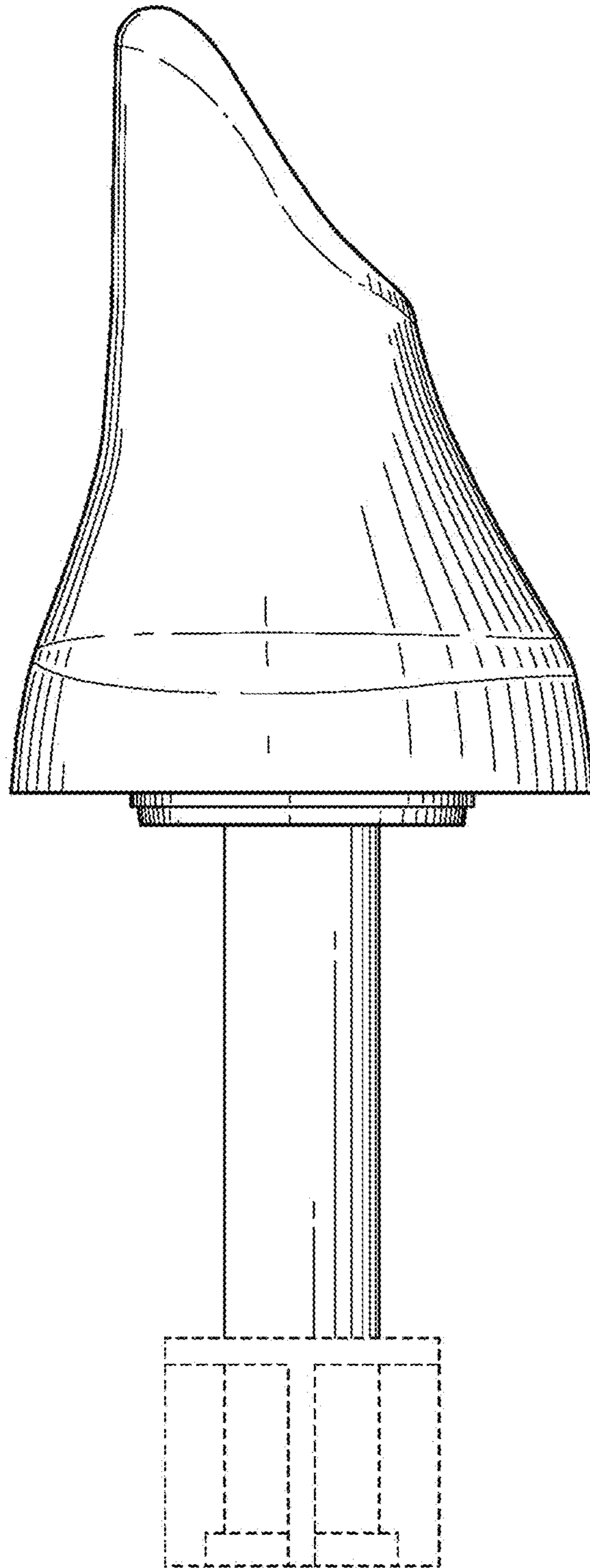


FIG. 11

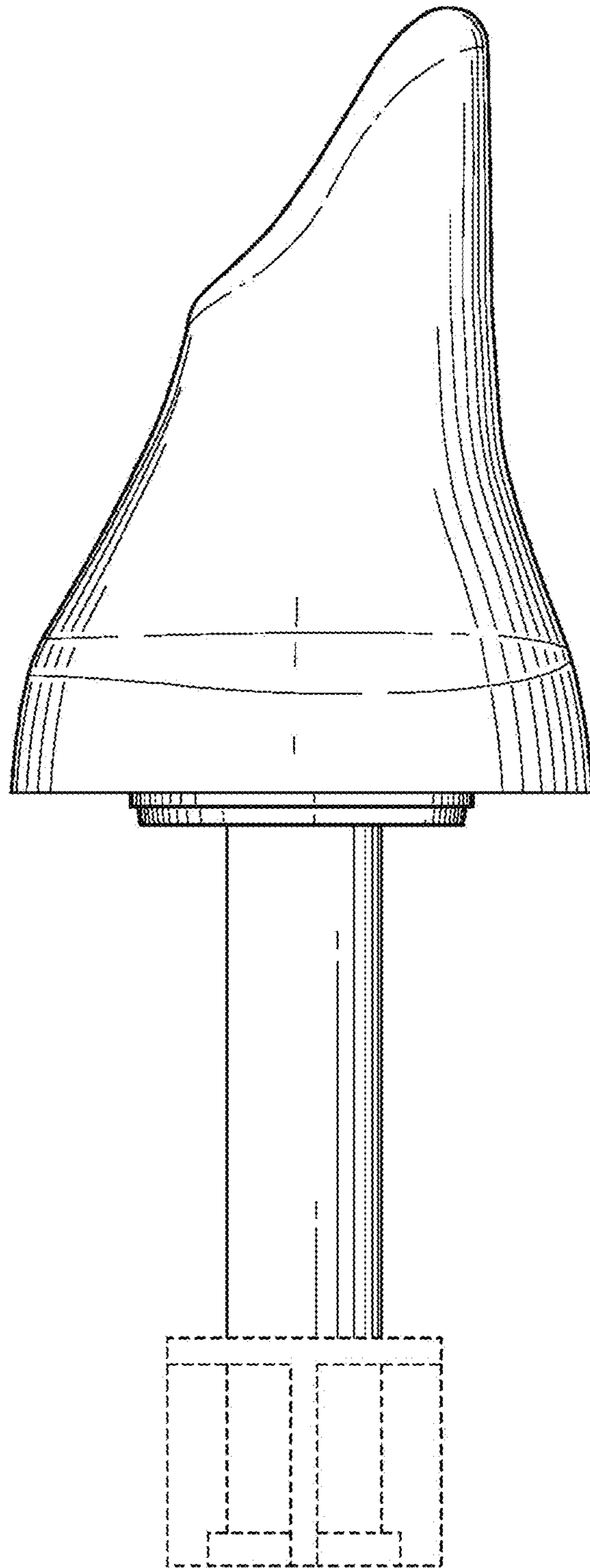


FIG. 12

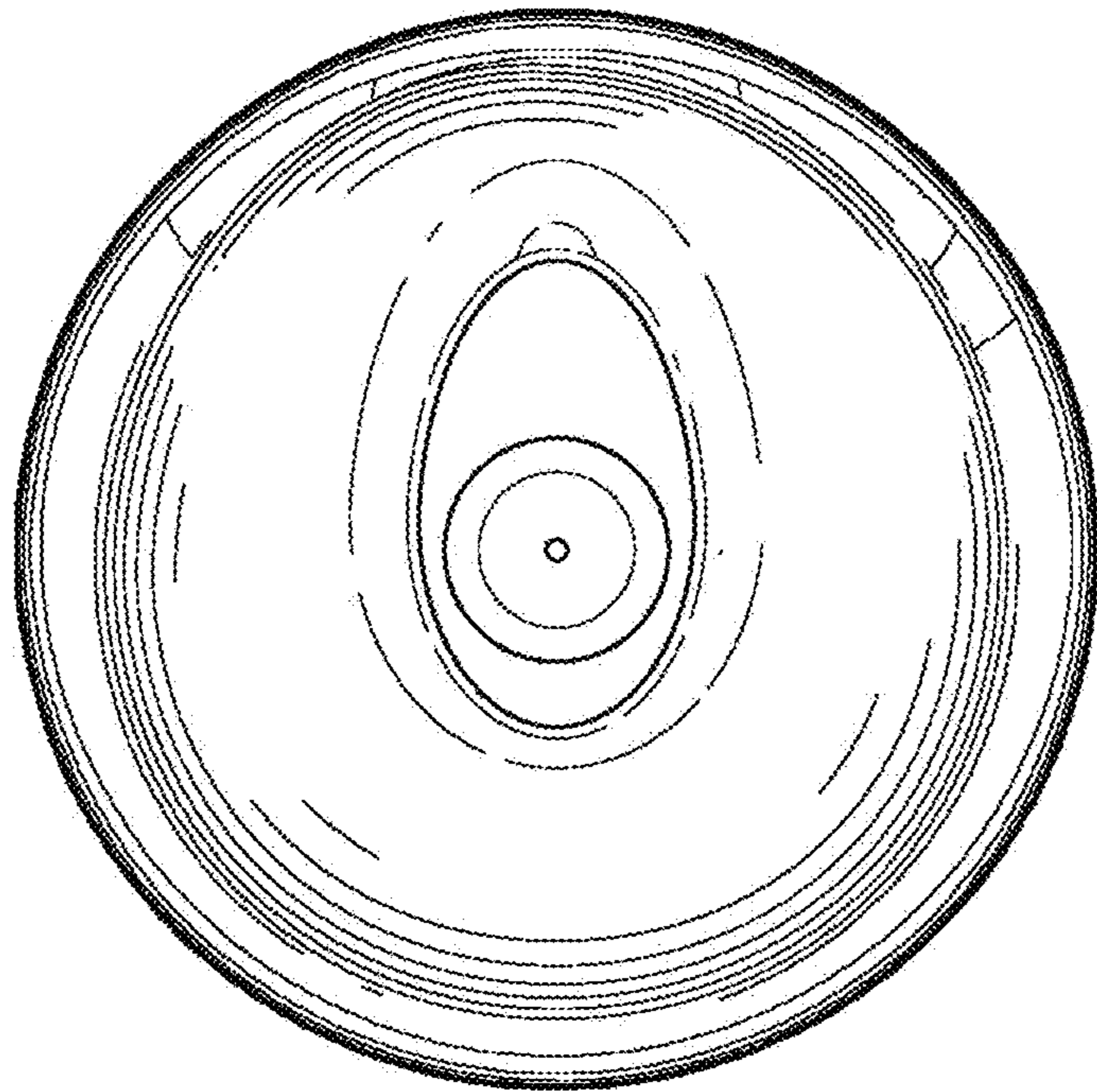


FIG. 13

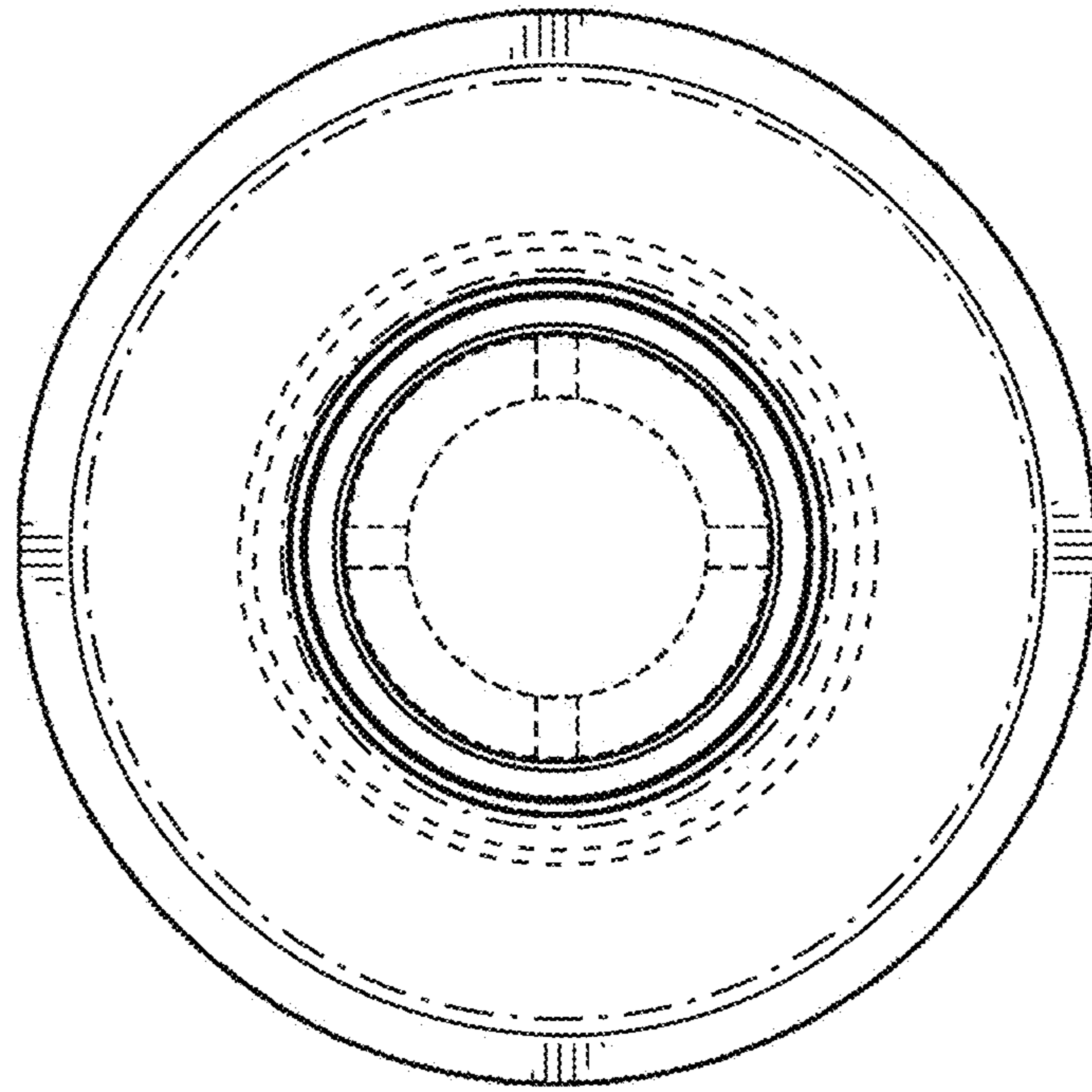


FIG. 14