

US00D773643S

(12) **United States Design Patent** (10) **Patent No.:** **US D773,643 S**
Luzbetak et al. (45) **Date of Patent:** **** Dec. 6, 2016**

(54) **SELF RETURNING CONTAMINATION BARRIER**

(71) Applicant: **Medela Holding AG**, Baar (CH)

(72) Inventors: **Mark A. Luzbetak**, Kildeer, IL (US);
Thomas A. Sutrina, Rockford, IL (US);
Erich Pfenniger, Ebikon (CH); **Patrik Bosshard**, Buonas (CH)

(73) Assignee: **Medela Holding AG**, Baar (CH)

(**) Term: **15 Years**

(21) Appl. No.: **29/530,623**

(22) Filed: **Jun. 18, 2015**

Related U.S. Application Data

(60) Continuation of application No. 13/269,381, filed on Oct. 7, 2011, which is a division of application No. (Continued)

(51) **LOC (10) Cl.** **24-02**

(52) **U.S. Cl.**
USPC **D24/109**

(58) **Field of Classification Search**
USPC D24/108, 109, 127; 604/74-76; D9/435, D9/447, 448, 523, 526
(Continued)

(56) **References Cited**

U.S. PATENT DOCUMENTS

301,535 A 7/1884 Tatum
316,584 A 4/1885 Turner
(Continued)

FOREIGN PATENT DOCUMENTS

DE 2658322 6/1978
DE 8714995.8 2/1988
(Continued)

OTHER PUBLICATIONS

Spectra Spare Parts/Accessories—Backflow Protector Membranes (2 pk). Pupsik. posted as early as Feb. 17, 2014 online. www.pupsikstudio.com. Date accessed Apr. 13, 2016. <http://www.pupsikstudio.com/spectra-spare-parts-accessories-large-membrane-s1-s2-m1-2-pk.html>*

(Continued)

Primary Examiner — Barbara Fox
Assistant Examiner — Lilyana Bekic

(74) *Attorney, Agent, or Firm* — McDonnell Boehnen Hulbert & Berghoff LLP

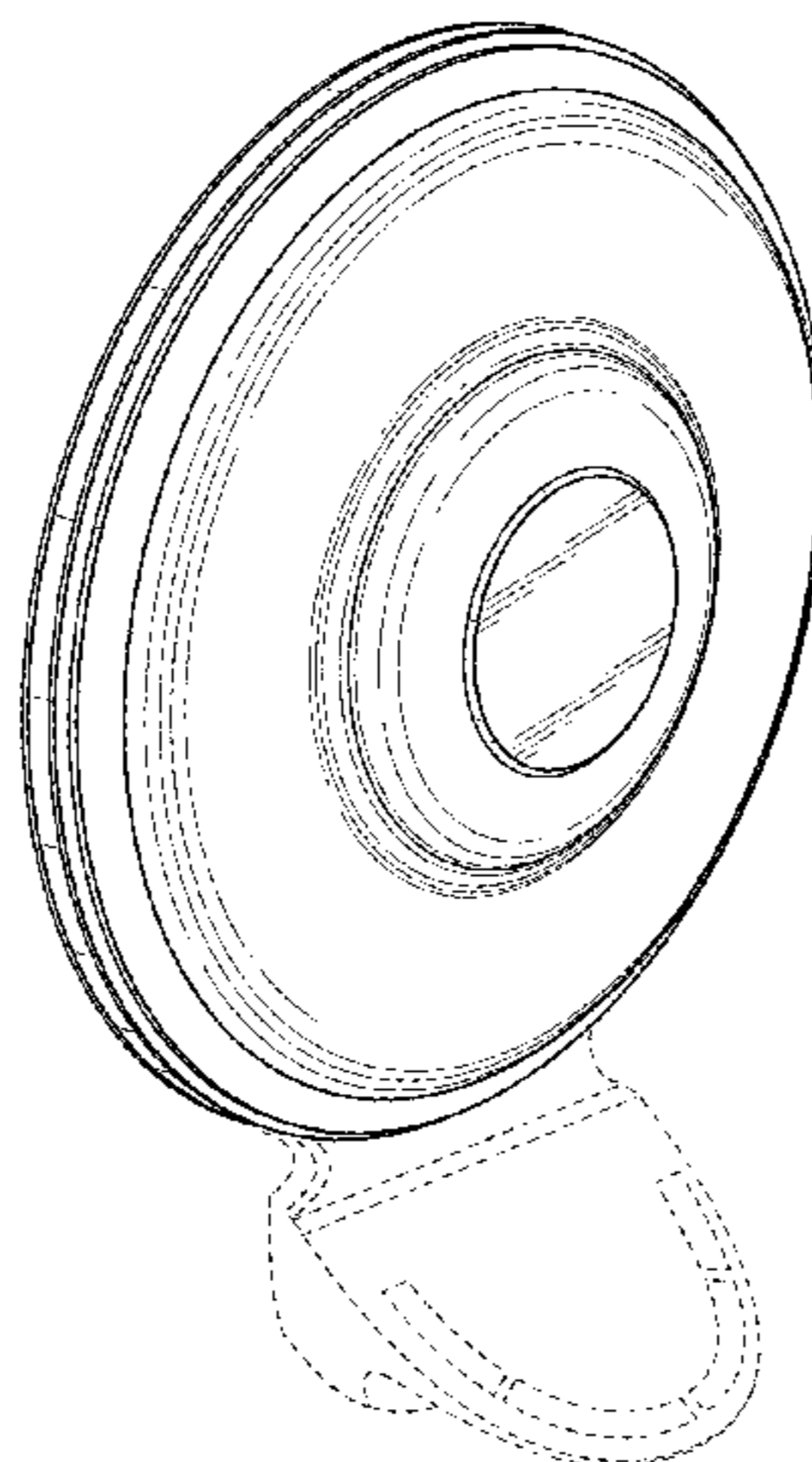
(57) **CLAIM**

The ornamental design for a self returning contamination barrier, as shown and described.

DESCRIPTION

FIG. 1 is a perspective view of a self returning contamination barrier showing the design.
FIG. 2 is a front view of the design of FIG. 1.
FIG. 3 is a back plan view of the design of FIG. 1.
FIG. 4 is a side view of the design of FIG. 1.
FIG. 5 is another side view of the design of FIG. 1.
FIG. 6 is a top plan view of the design of FIG. 1.
FIG. 7 is a bottom view of the design of FIG. 1.
FIG. 8 is a side view of the design of FIG. 1 in an alternate position with the center depressed; and,
FIG. 9 is a side view of the design of FIG. 1 in an alternate position with the center extended.
The broken lines in the drawings illustrate portions of the self returning contamination barrier which form no part of the claimed design.

1 Claim, 5 Drawing Sheets



Related U.S. Application Data

11/591,276, filed on Nov. 1, 2006, now Pat. No. 8,187,227.

(58) **Field of Classification Search**

CPC A61M 1/062; A61M 1/06; A61M 1/066; A61M 1/064

See application file for complete search history.

(56) **References Cited**

U.S. PATENT DOCUMENTS

684,078	A	10/1901	Martin	
784,780	A	3/1905	Burrell	
1,670,610	A	5/1928	Colby	
2,148,918	A	2/1939	Weber	
2,292,401	A	5/1939	Orre	
2,273,679	A	2/1942	Westberg	
2,371,632	A	3/1945	Lippincott	
2,419,795	A	4/1947	Saunders	
2,495,307	A *	1/1950	Abramson A61J 13/00 128/890
2,687,845	A	8/1954	Young et al.	
3,083,943	A	4/1963	Stewart et al.	
3,140,085	A	7/1964	De Carbon	
3,465,112	A	9/1969	Reichert et al.	
3,738,363	A	6/1973	Lunas et al.	
3,782,385	A	1/1974	Loyd	
3,822,703	A	7/1974	Davisson	
3,830,238	A	8/1974	Kurtz et al.	
3,911,920	A	10/1975	Susinn	
3,931,834	A	1/1976	Caillet	
D246,729	S *	12/1977	Murphy D2/706
4,249,481	A	2/1981	Adams	
4,263,912	A	4/1981	Adams	
4,323,067	A	4/1982	Adams	
4,411,603	A	10/1983	Kell	
4,427,470	A	1/1984	Kolff	
4,573,994	A	3/1986	Fischell et al.	
4,583,970	A	4/1986	Kirchner	
4,634,430	A	1/1987	Polaschegg	
4,649,863	A	3/1987	Hoefelmayr et al.	
4,673,388	A	6/1987	Schlensog et al.	
4,759,385	A	7/1988	Hudson, Jr.	
4,775,366	A	10/1988	Rosenblatt	
4,794,915	A	1/1989	Larsson	
4,799,922	A	1/1989	Beer et al.	
4,799,924	A	1/1989	Rosenblatt	
4,799,925	A	1/1989	Rosenblatt	
4,820,273	A	4/1989	Reinicke	
4,864,918	A	9/1989	Martin	
4,883,464	A	11/1989	Morifuki	
4,886,494	A	12/1989	Morifuki	
4,915,017	A	4/1990	Perlov	
4,961,726	A	10/1990	Richter	
5,009,638	A	4/1991	Reidwig et al.	
5,071,403	A	12/1991	Larsson	
5,089,020	A	2/1992	Koppert	
5,123,332	A	6/1992	Thayer et al.	
5,145,336	A	9/1992	Becker et al.	
5,149,413	A	9/1992	Maget	
5,242,406	A	9/1993	Gross et al.	
5,349,896	A	9/1994	Delaney, III et al.	
5,358,476	A	10/1994	Wilson	
5,749,850	A	5/1998	Williams et al.	
5,785,508	A	7/1998	Bolt	
5,814,019	A	9/1998	Steinbach et al.	
5,817,001	A	10/1998	Leschinsky et al.	
5,941,847	A	8/1999	Huber et al.	
6,110,140	A	8/2000	Silver	
6,378,739	B1	4/2002	Maas et al.	
6,390,338	B1	5/2002	Baudin	
6,461,324	B1	10/2002	Schlensog	
6,499,729	B1	12/2002	Walterbusch	
6,530,900	B1	3/2003	Daily et al.	

6,547,756	B1	4/2003	Greter et al.	
D484,236	S	12/2003	Renz et al.	
6,663,587	B2	12/2003	Silver et al.	
D485,614	S *	1/2004	Renz D24/109
D486,223	S *	2/2004	Robson D24/109
6,706,012	B2	3/2004	McKendry et al.	
6,729,494	B2	5/2004	Portmann et al.	
6,746,637	B1	6/2004	Huss et al.	
6,749,582	B2	6/2004	Britto et al.	
6,776,591	B1	8/2004	Rinninger et al.	
6,863,648	B2	3/2005	Williams et al.	
6,994,030	B2	2/2006	Perut et al.	
7,029,454	B2	4/2006	Watanabe	
7,066,874	B2	6/2006	Riebman et al.	
D609,330	S *	2/2010	Paterson D24/109
D609,331	S *	2/2010	Paterson D24/109
7,806,855	B2 *	10/2010	Kliegman A61M 1/06 604/73
D676,956	S *	2/2013	Kirchner D24/109
9,011,372	B2 *	4/2015	Jones A61M 1/06 604/74
2003/0004459	A1 *	1/2003	McKendry A61M 1/0066 604/74
2003/0050623	A1	3/2003	Lord et al.	
2003/0139702	A1	7/2003	Renz et al.	
2003/0149398	A1	8/2003	Renz et al.	
2004/0087898	A1	5/2004	Weniger	
2004/0158199	A1	8/2004	McKendry et al.	
2005/0154348	A1	7/2005	Lantz et al.	
2005/0154349	A1	7/2005	Renz et al.	
2005/0228342	A1	10/2005	Yuen	
2006/0111664	A1	5/2006	Samson et al.	
2008/0009815	A1	1/2008	Grabenkort et al.	
2008/0033352	A1 *	2/2008	Annis A61M 1/0049 604/74
2008/0171970	A1 *	7/2008	Luzbetak A61M 1/06 604/74
2008/0208115	A1 *	8/2008	Kliegman A61M 1/06 604/74
2009/0099511	A1 *	4/2009	Sutrina A61M 1/0031 604/74
2010/0228188	A1 *	9/2010	Kunzler A61M 1/0088 604/74
2010/0324477	A1 *	12/2010	Paterson A61M 1/0072 604/74
2010/0324478	A1 *	12/2010	Kazazoglu A61M 1/0072 604/74
2011/0245763	A1 *	10/2011	Myers A61M 1/06 604/74
2013/0023821	A1 *	1/2013	Khalil A61M 1/064 604/74
2015/0314053	A1 *	11/2015	Furrer A61M 1/06 604/74
2015/0328380	A1 *	11/2015	Furrer A61M 1/0049 604/74

FOREIGN PATENT DOCUMENTS

EP	0466462	A1	1/1992
FR	1067421		6/1954
GB	185521		9/1922
GB	2082920		3/1982
JP	2002035111		5/2002
JP	2004000486		1/2004
JP	2006015004		1/2006
WO	2004058330		7/2004

OTHER PUBLICATIONS

Medela Swing and Swing Maxi. Best Breast Pump Reviews. www.bestbreastpumpreviewsformoms.com. Date accessed Apr. 13, 2016. <<http://www.bestbreastpumpreviewsformoms.com/medela-swing-and-swing-maxi/>>*

* cited by examiner

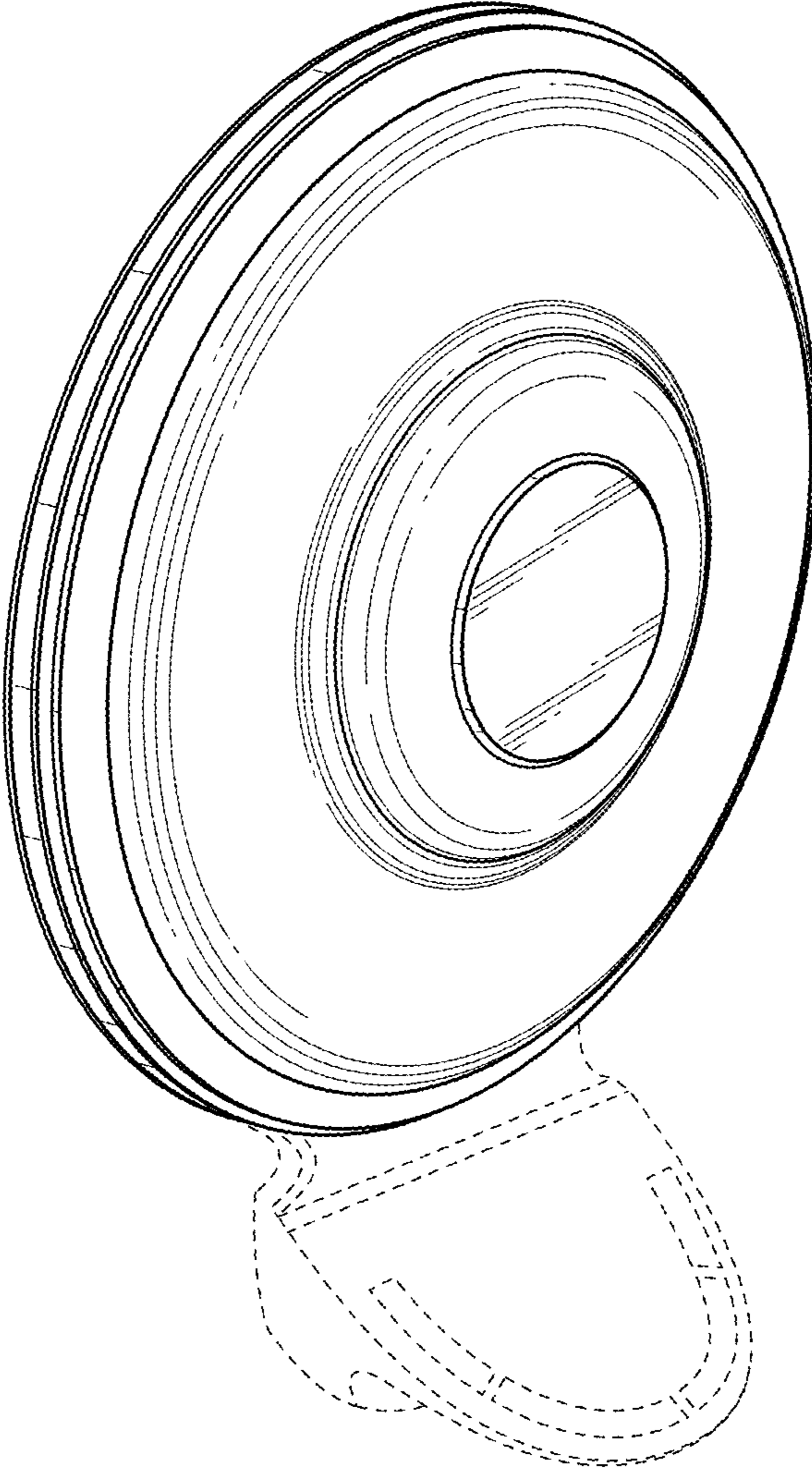


FIG. 1

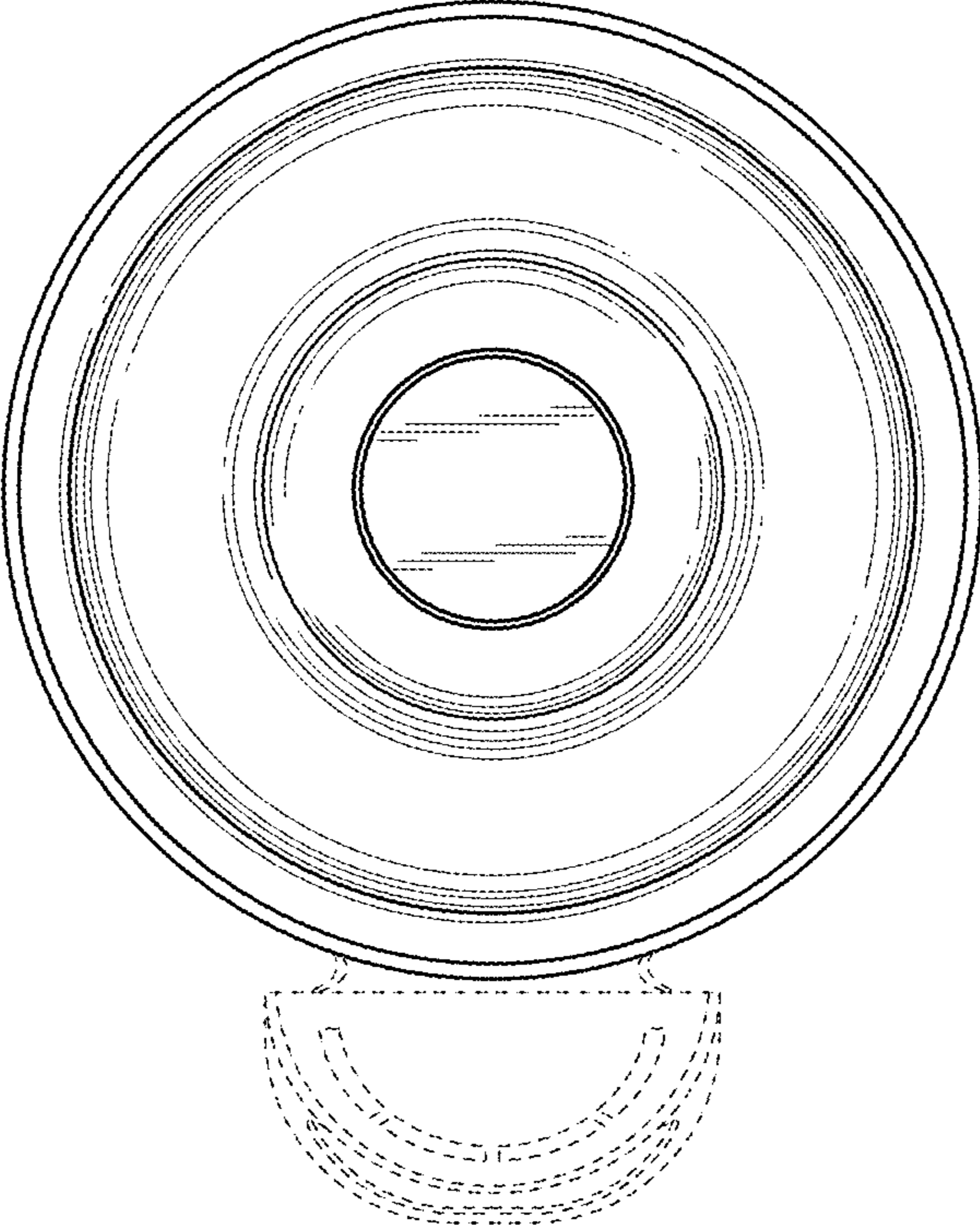


FIG. 2

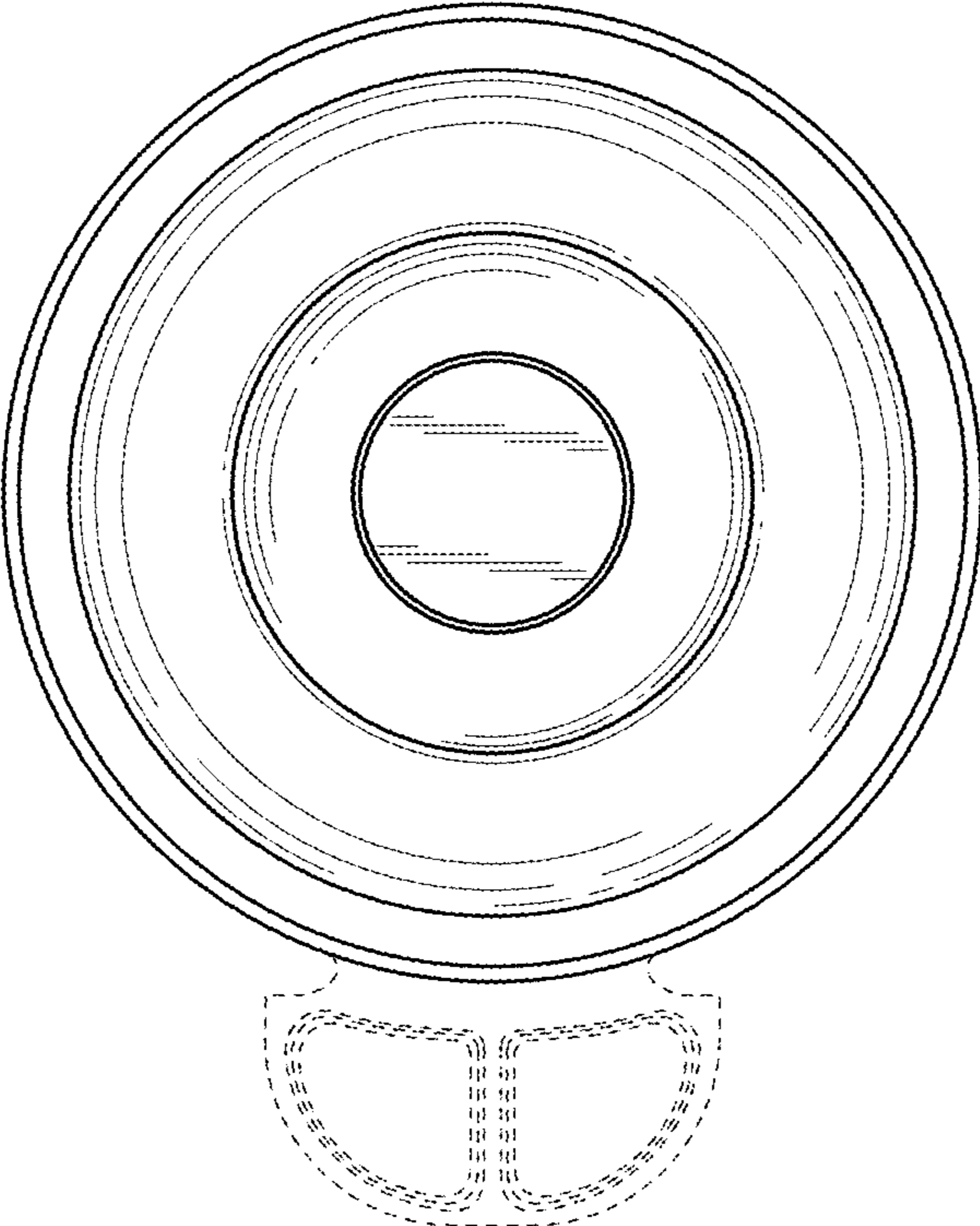


FIG. 3

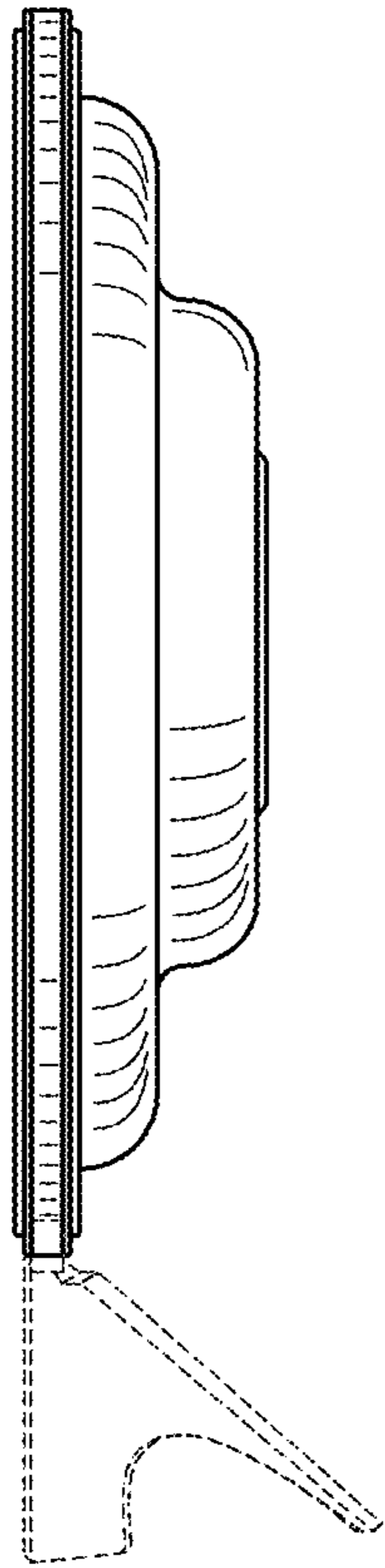


FIG. 4

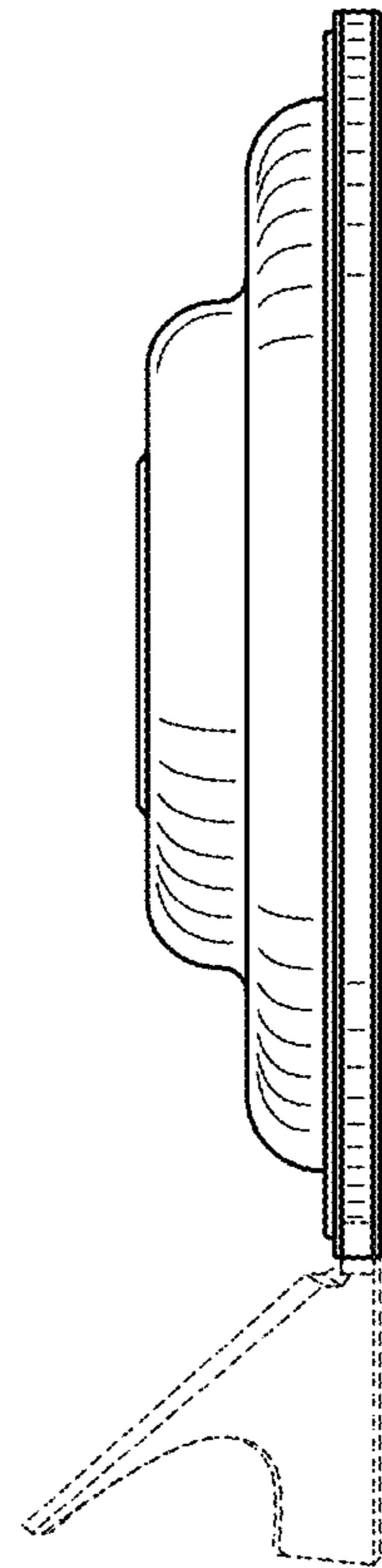


FIG. 5

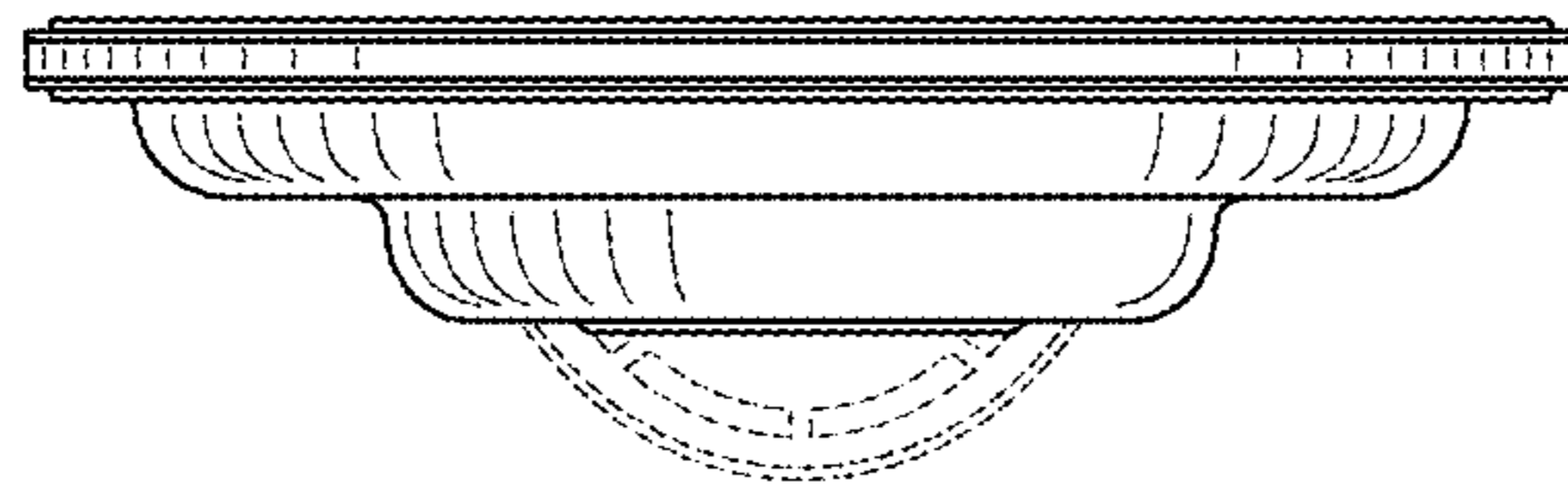


FIG. 6

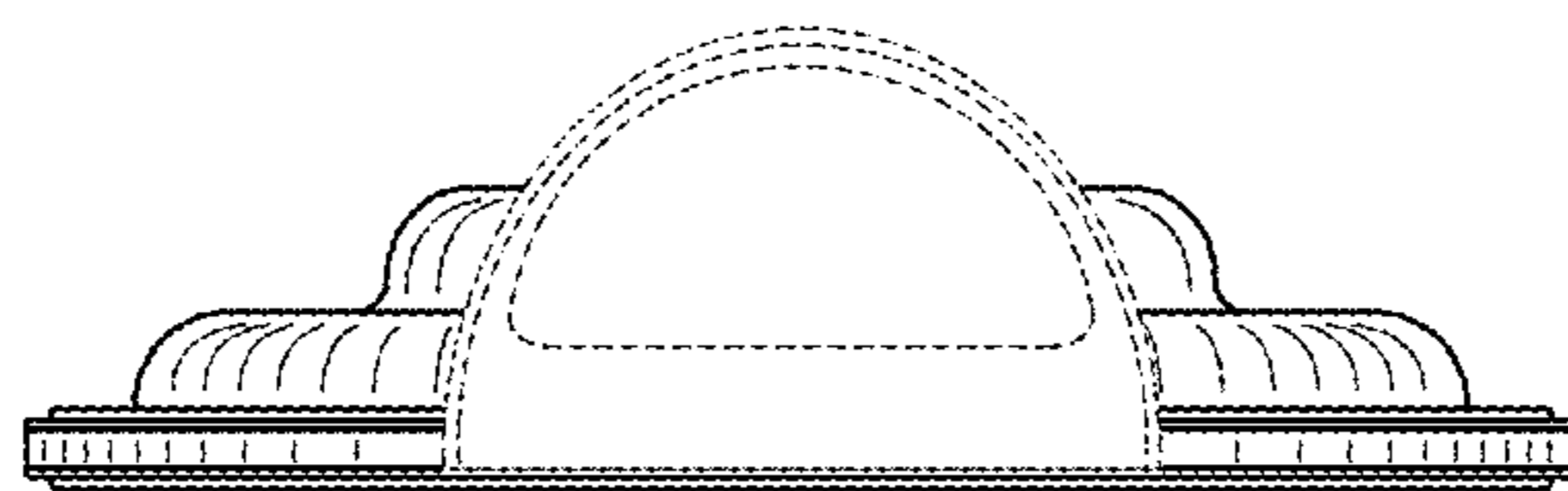


FIG. 7

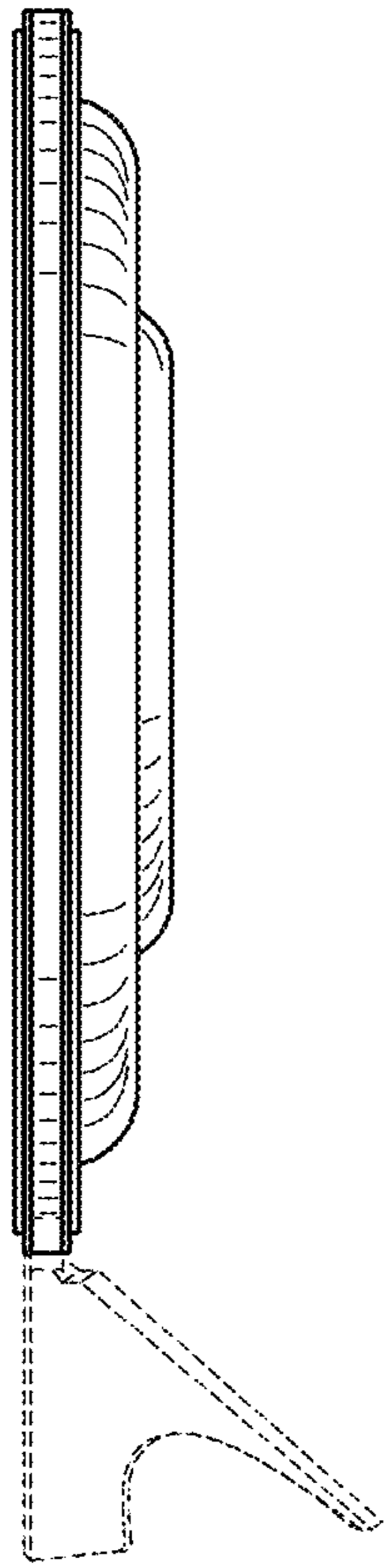


FIG. 8

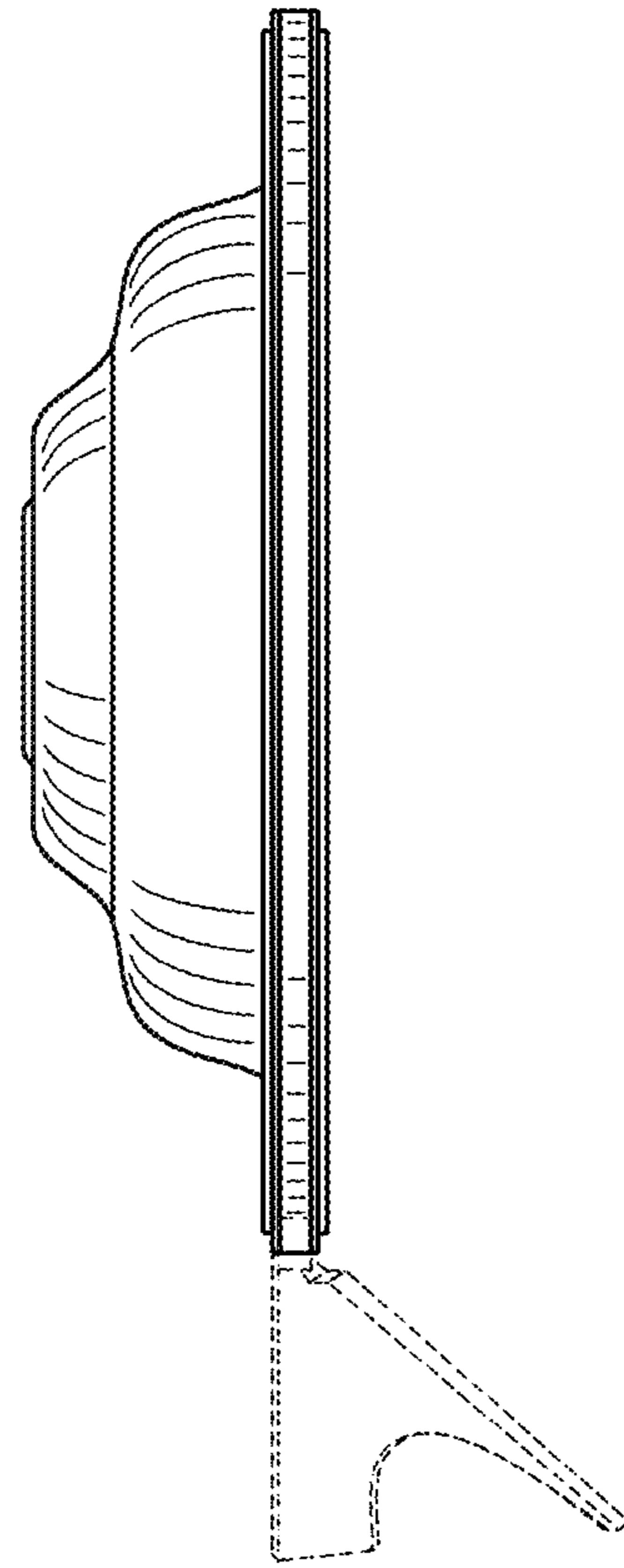


FIG. 9