



US00D773641S

(12) **United States Design Patent**
Sadler et al.

(10) **Patent No.:** **US D773,641 S**
(45) **Date of Patent:** **** Dec. 6, 2016**

(54) **ORAL DOSAGE FORM**

(71) Applicant: **Johnson & Johnson Consumer Inc.**,
Skillman, NJ (US)

(72) Inventors: **Neil A. Sadler**, Weehawken, NJ (US);
Jeffrey S. Silva, Jersey City, NJ (US)

(73) Assignee: **Johnson & Johnson Consumer Inc.**,
Skillman, NJ (US)

(**) Term: **15 Years**

(21) Appl. No.: **29/532,943**

(22) Filed: **Jul. 13, 2015**

3,281,620 A 10/1966 Keith
3,426,453 A 2/1969 Dingwell et al.
D237,199 S 10/1975 Sauter
(Continued)

OTHER PUBLICATIONS

Pentasa—ca pre Oct. 2001.

(Continued)

Primary Examiner — Charles Hanson

(74) *Attorney, Agent, or Firm* — Victor Tsu

(57) **CLAIM**

We claim the ornamental design for an oral dosage form, as shown and described.

DESCRIPTION

FIG. 1 is a perspective view of an oral dosage form showing my new design, wherein the shading at the ends is understood to represent the color red;

FIG. 2 is a side elevational view thereof, the opposite side being a mirror image of the side elevational view of FIG. 2; FIG. 3 is a plan view thereof, the opposite side being a mirror image of the plan view of FIG. 3;

FIG. 4 is an end view thereof, the opposite end being a mirror image of the end view of FIG. 4;

FIG. 5 is a perspective view of an oral dosage form showing my new design, wherein the stippled shading at the top and bottom ends is understood to represent a color contrasting with the central region;

FIG. 6 is a side elevational view of the oral dosage form of FIG. 5, the opposite side being a mirror image of the side elevational view of FIG. 6;

FIG. 7 is a plan view of the oral dosage form of FIG. 5, the opposite side being a mirror image of the plan view of FIG. 7; and,

FIG. 8 is an end view of the oral dosage form of FIG. 5, the opposite end being a mirror image of the end view of FIG. 8.

Related U.S. Application Data

(62) Division of application No. 29/380,791, filed on Dec. 10, 2010, now abandoned, which is a division of application No. 29/343,553, filed on Sep. 15, 2009, now Pat. No. Des. 631,537.

(51) **LOC (10) Cl.** **24-01**

(52) **U.S. Cl.**
USPC **D24/101**

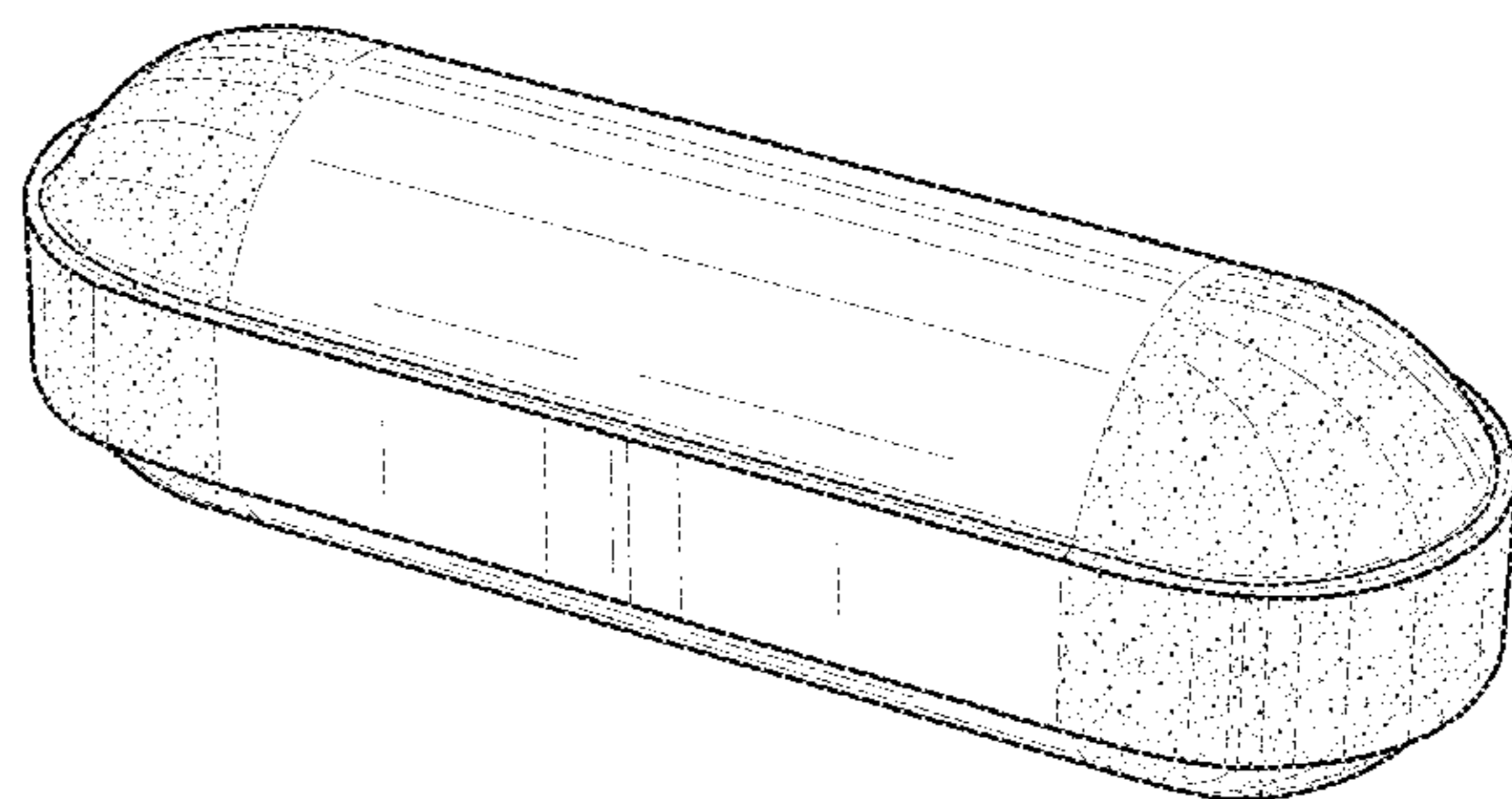
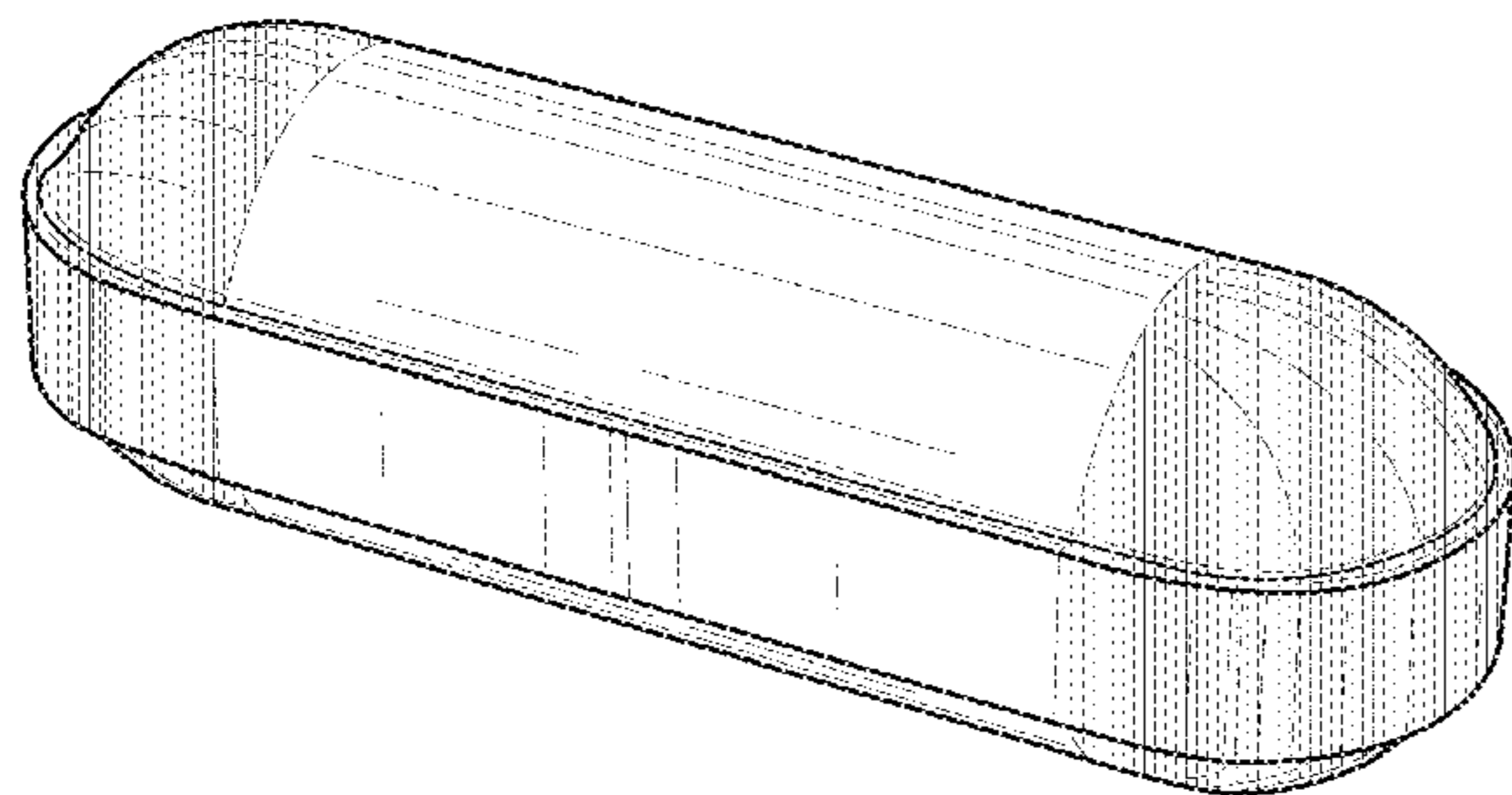
(58) **Field of Classification Search**
USPC D24/100–104; D1/121
CPC A61K 9/20; A61K 9/209; A61K 9/2077;
A61K 9/2072; A61K 9/5078; A61K
9/2081; A61K 9/2086; A61K
9/4891; A61K 9/167; A61K 8/11
See application file for complete search history.

(56) **References Cited**

U.S. PATENT DOCUMENTS

D31,133 S 7/1899 Lantz
2,584,166 A 2/1952 Stevenson et al.
3,048,526 A 8/1962 Boswell

1 Claim, 4 Drawing Sheets



(56)

References Cited

U.S. PATENT DOCUMENTS

4,034,035 A 7/1977 Schwartz et al.
 D258,091 S 1/1981 Reed et al.
 D286,086 S 10/1986 Tovey
 4,713,248 A 12/1987 Kjornaes et al.
 4,820,524 A 4/1989 Berta
 D301,762 S 6/1989 Oshlack
 4,851,230 A 7/1989 Tencza et al.
 4,966,771 A 10/1990 Berta
 D315,223 S 3/1991 Estwin
 5,089,270 A 2/1992 Hampton et al.
 5,146,730 A 9/1992 Sadek et al.
 5,658,589 A 8/1997 Parekh et al.
 5,683,718 A 11/1997 Errigo
 5,770,225 A 6/1998 Parekh et al.
 D396,455 S 7/1998 Bier
 5,824,338 A 10/1998 Jacobs et al.
 D403,673 S 1/1999 Arora et al.
 D408,910 S 4/1999 Lundbom et al.
 5,916,592 A 6/1999 Parekh et al.
 6,113,945 A 9/2000 Jacobs et al.
 6,120,801 A 9/2000 Parekh et al.
 6,214,380 B1 4/2001 Parekh et al.
 6,326,026 B1 12/2001 Parekh et al.
 6,482,516 B1 11/2002 Sadek et al.
 D471,227 S 3/2003 Gray
 D500,766 S 1/2005 Hanisch et al.
 D500,849 S * 1/2005 Rinker D24/101
 D506,544 S 6/2005 Rinker et al.
 6,946,156 B2 9/2005 Bunick
 D525,356 S 7/2006 Rinker et al.
 7,087,242 B2 8/2006 Parekh et al.
 D534,646 S * 1/2007 Chang D24/101
 D535,389 S 1/2007 Stawski et al.
 7,169,450 B2 1/2007 Bunick
 D544,495 S 6/2007 Evans et al.
 D549,724 S 8/2007 Niiijima
 D549,725 S 8/2007 Niiijima
 D569,874 S 5/2008 Wasko et al.
 7,429,619 B2 9/2008 Kamath
 D580,547 S 11/2008 Lolis et al.

D597,098 S 7/2009 Su et al.
 D631,537 S * 1/2011 Sadler D24/101
 D667,430 S 9/2012 Ouilhet et al.
 2004/0146559 A1 7/2004 Sowden et al.
 2007/0026064 A1 2/2007 Yoder et al.
 2007/0031488 A1 2/2007 Solomon et al.
 2007/0048365 A1 3/2007 Rao
 2007/0048369 A1 3/2007 Foreman et al.
 2007/0098931 A1 5/2007 Bunick et al.
 2007/0134321 A1 6/2007 Solomon et al.
 2007/0190133 A1 8/2007 Bunick et al.
 2007/0224258 A1 9/2007 Bunick et al.
 2007/0231389 A1 10/2007 Bunick et al.
 2007/0281022 A1 12/2007 Bunick et al.
 2008/0069880 A1 3/2008 Bunick
 2008/0075766 A1 3/2008 Li et al.
 2008/0187581 A1 8/2008 Gore et al.
 2008/0317677 A1 * 12/2008 Szymczak A61K 9/2072
 424/10.2
 2008/0317678 A1 * 12/2008 Szymczak A61K 9/2072
 424/10.3
 2009/0087483 A1 4/2009 Sison
 2009/0148520 A1 6/2009 Arima et al.
 2009/0155361 A1 6/2009 Narasaki et al.
 2009/0175939 A1 7/2009 Bosse et al.
 2009/0181082 A1 7/2009 Zuniga et al.

OTHER PUBLICATIONS

Rescon—ca pre Sep. 2009.
 Pseudoephedrine—Guaifenesin CR—ca pre Sep. 2009.
 Prenatal Combopak—ca pre Sep. 2009.
 DOK—ca pre Sep. 2009.
 Hydergine LC—ca pre Sep. 2009.
 Isradipine—ca pre Sep. 2009.
 Lamotrigine (chewable, dispersible)—ca pre Sep. 2009.
 Cyclosporine—ca pre Sep. 2009.
 Benazepril—hydrochlorothiazide—ca pre Sep. 2009.
 Verapamil hydrochloride—ca pre Sep. 2009.
 Item #613 p. 110 Symbols, Signs & Signets by Ernst Lehner 1950.

* cited by examiner

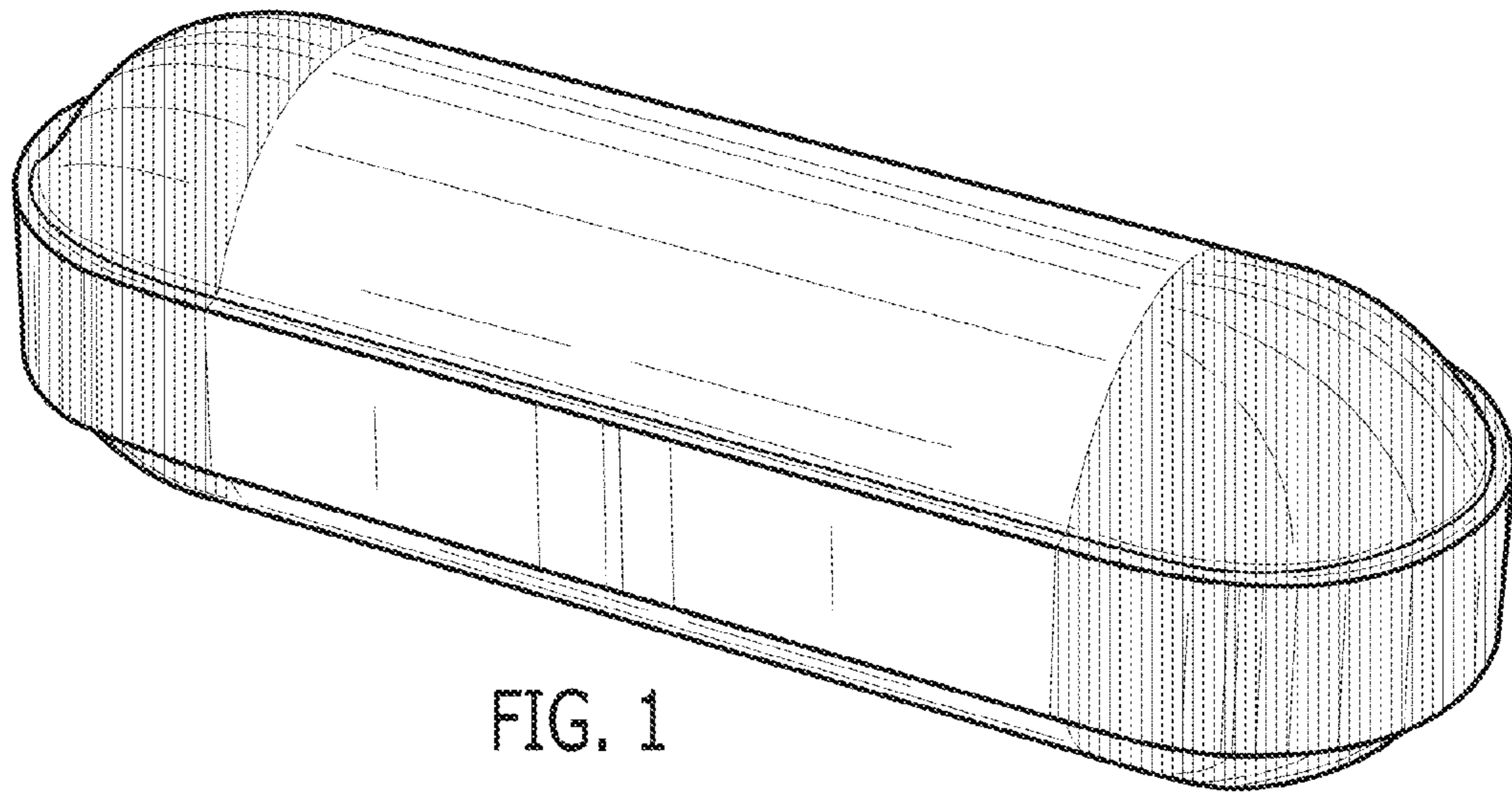


FIG. 1

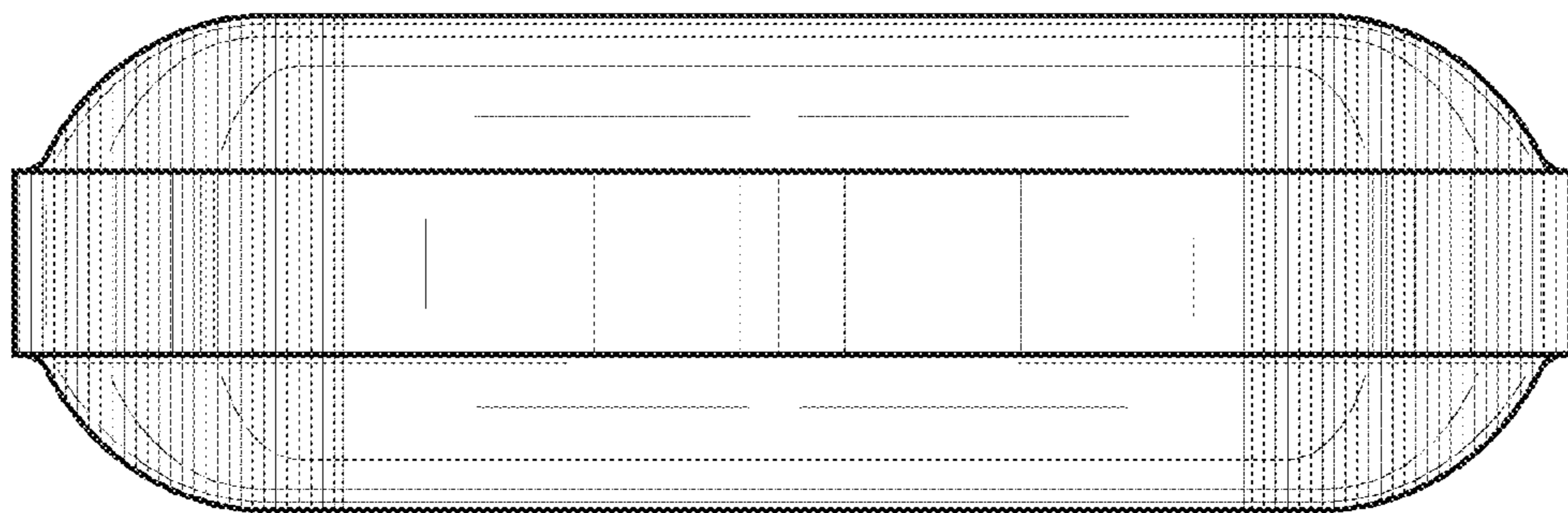


FIG. 2

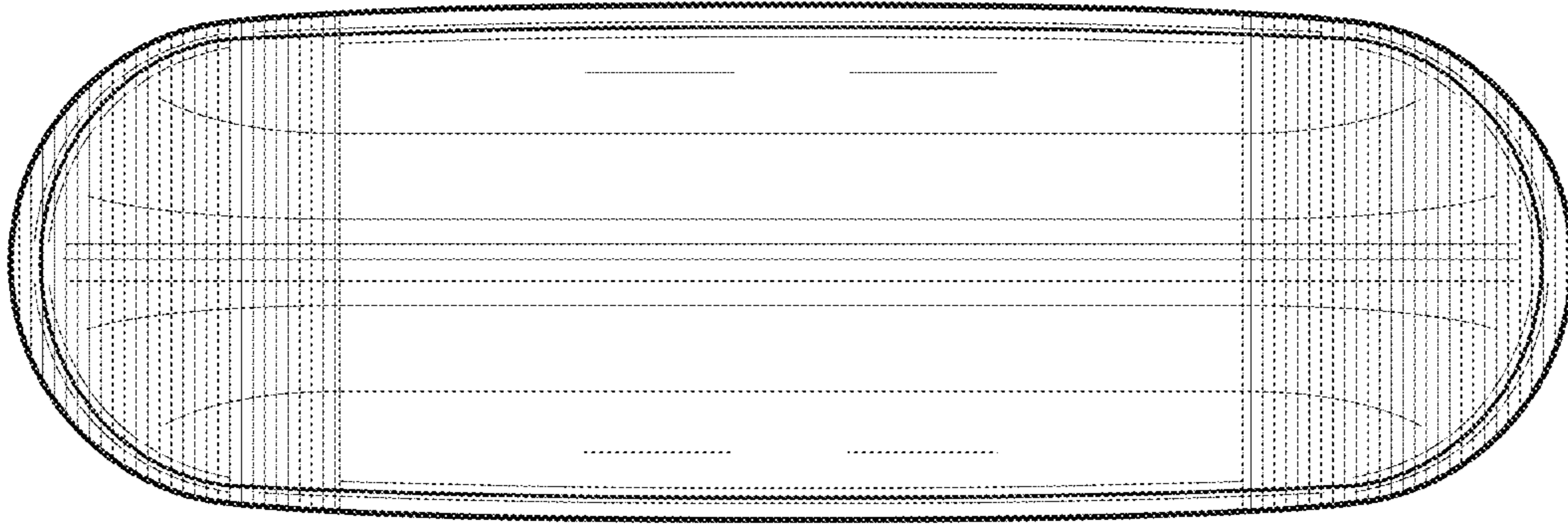


FIG. 3

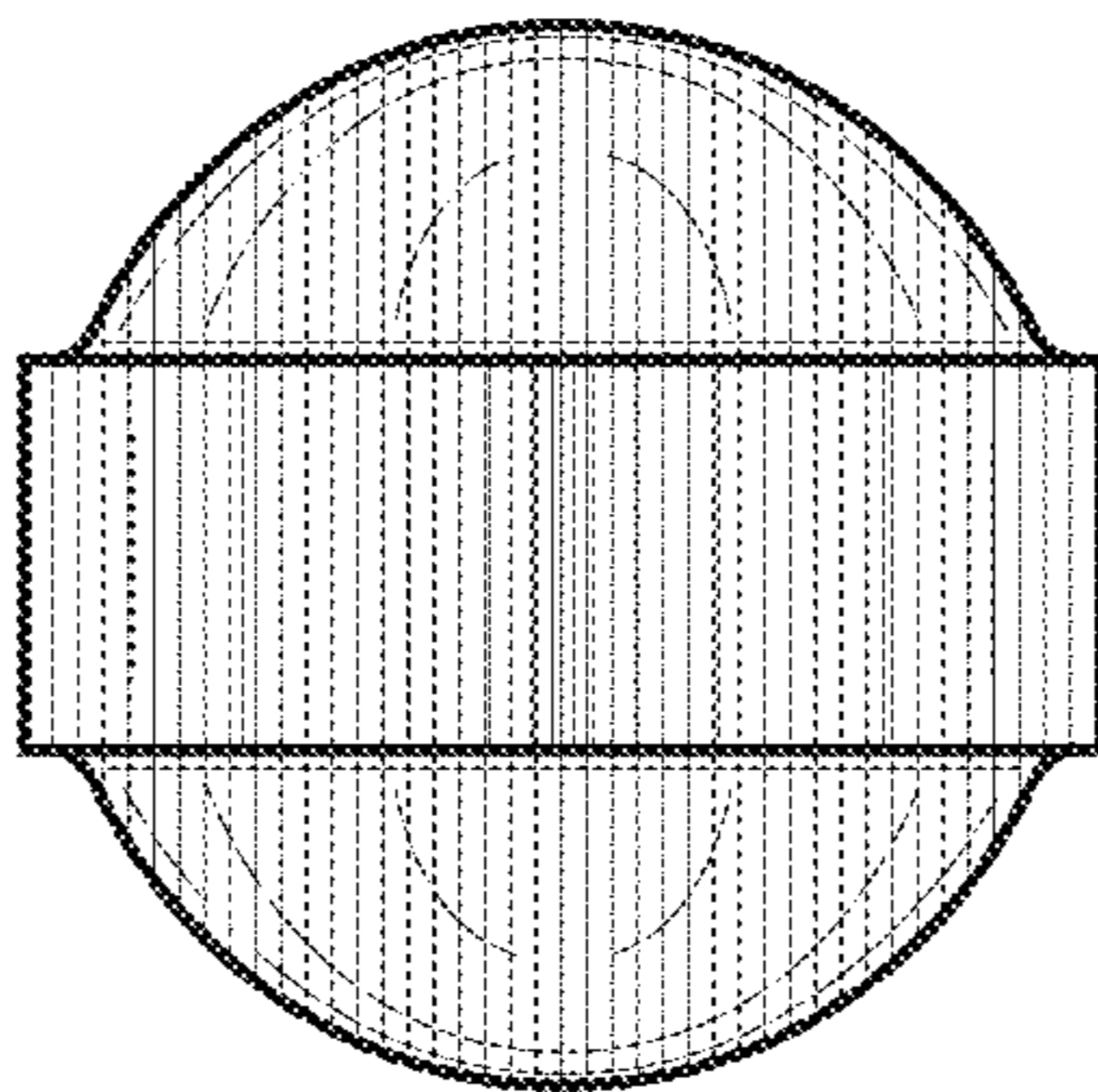


FIG. 4

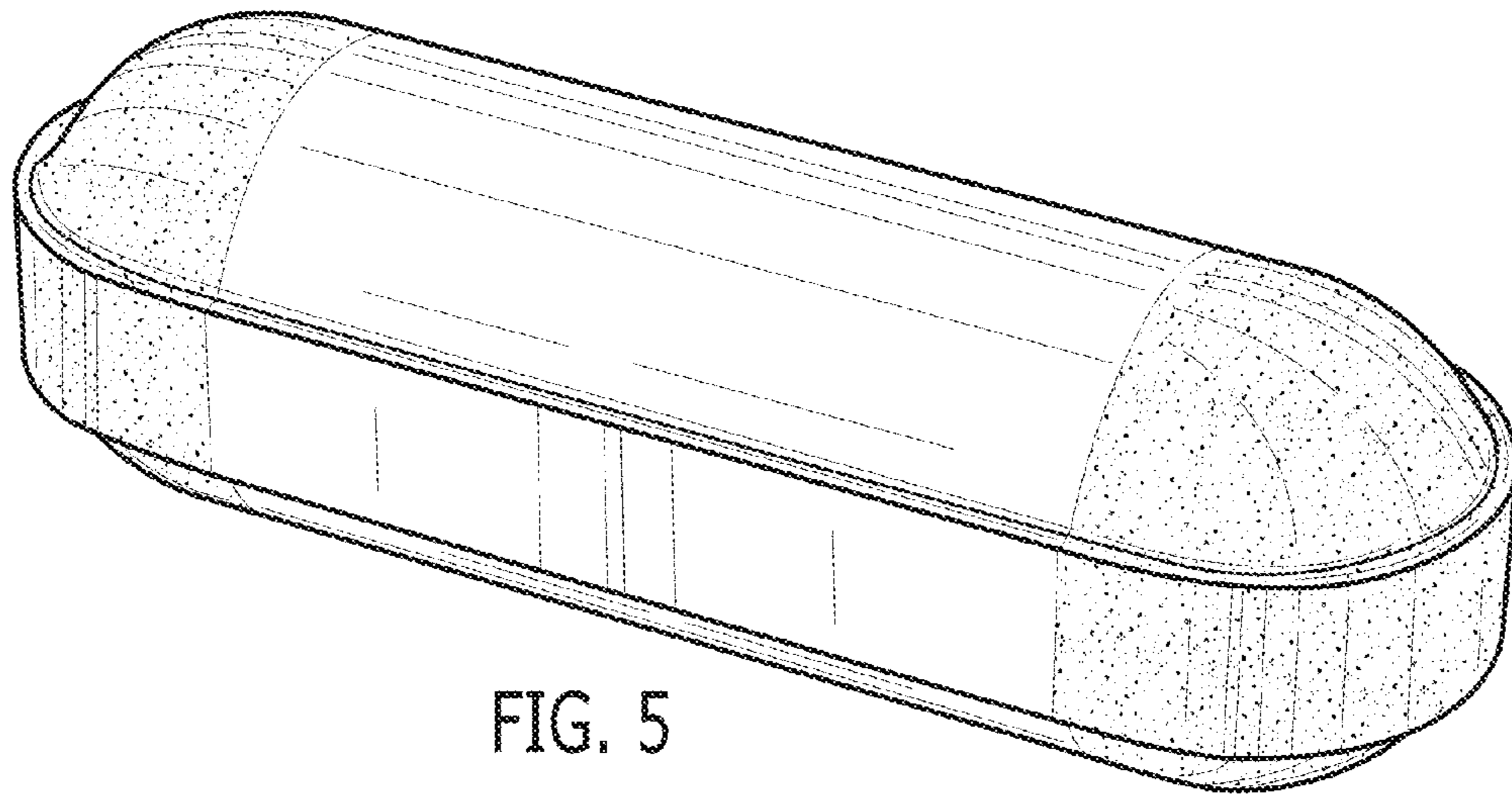


FIG. 5

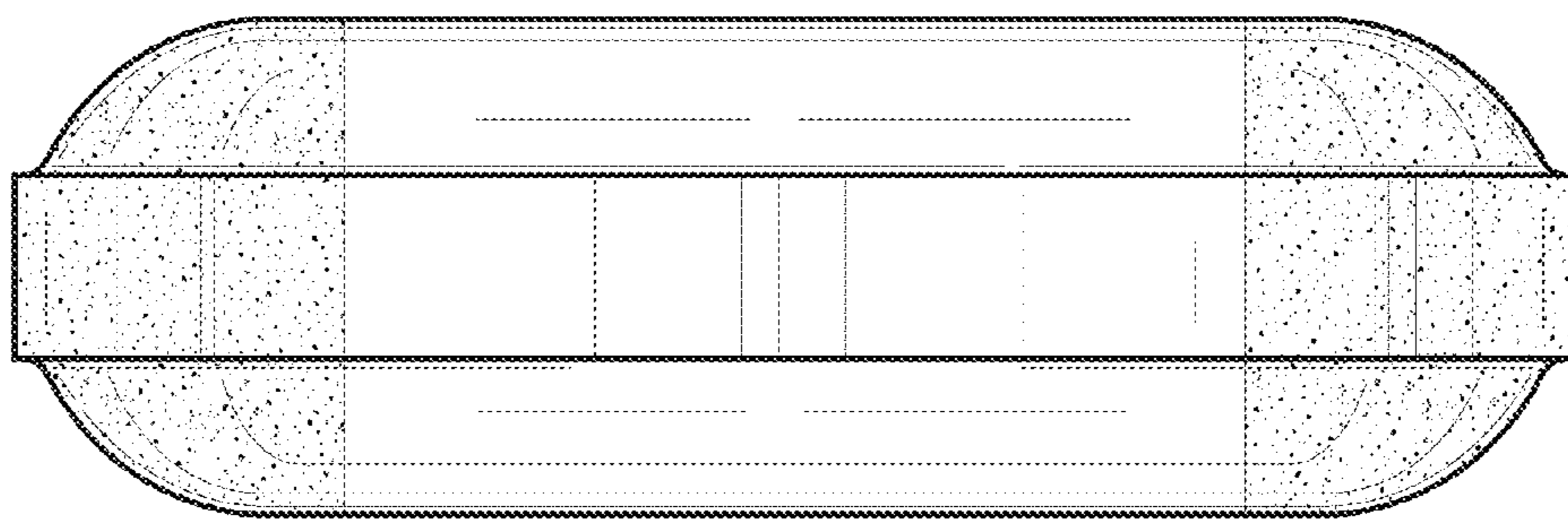


FIG. 6

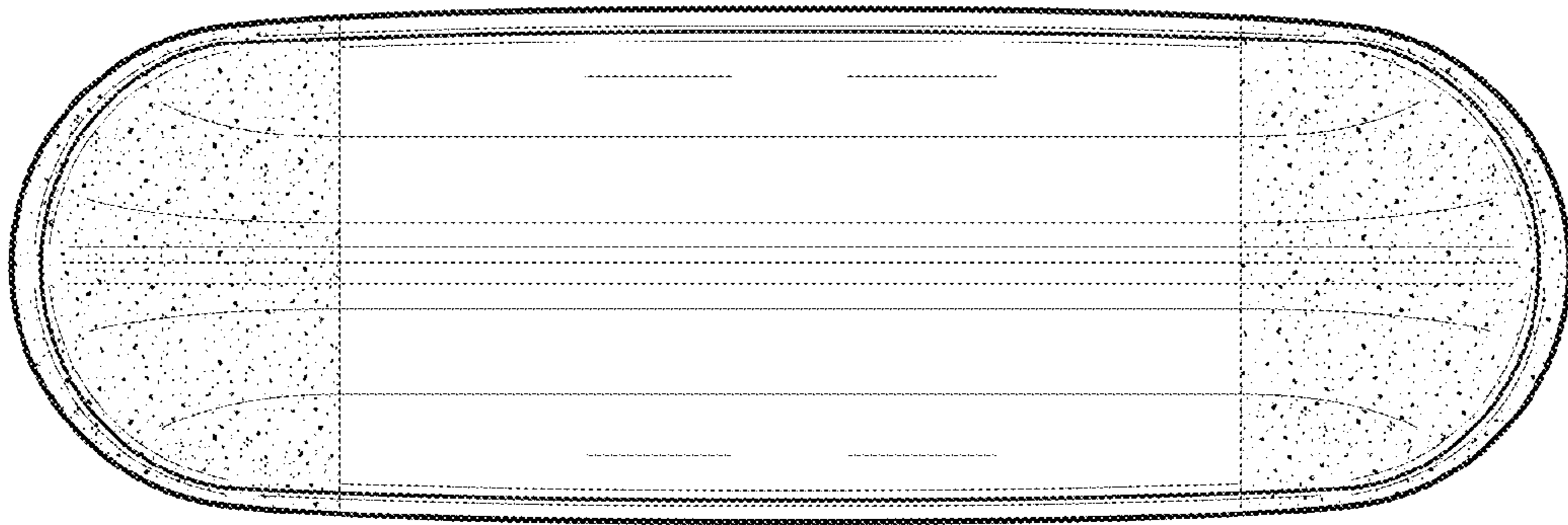


FIG. 7

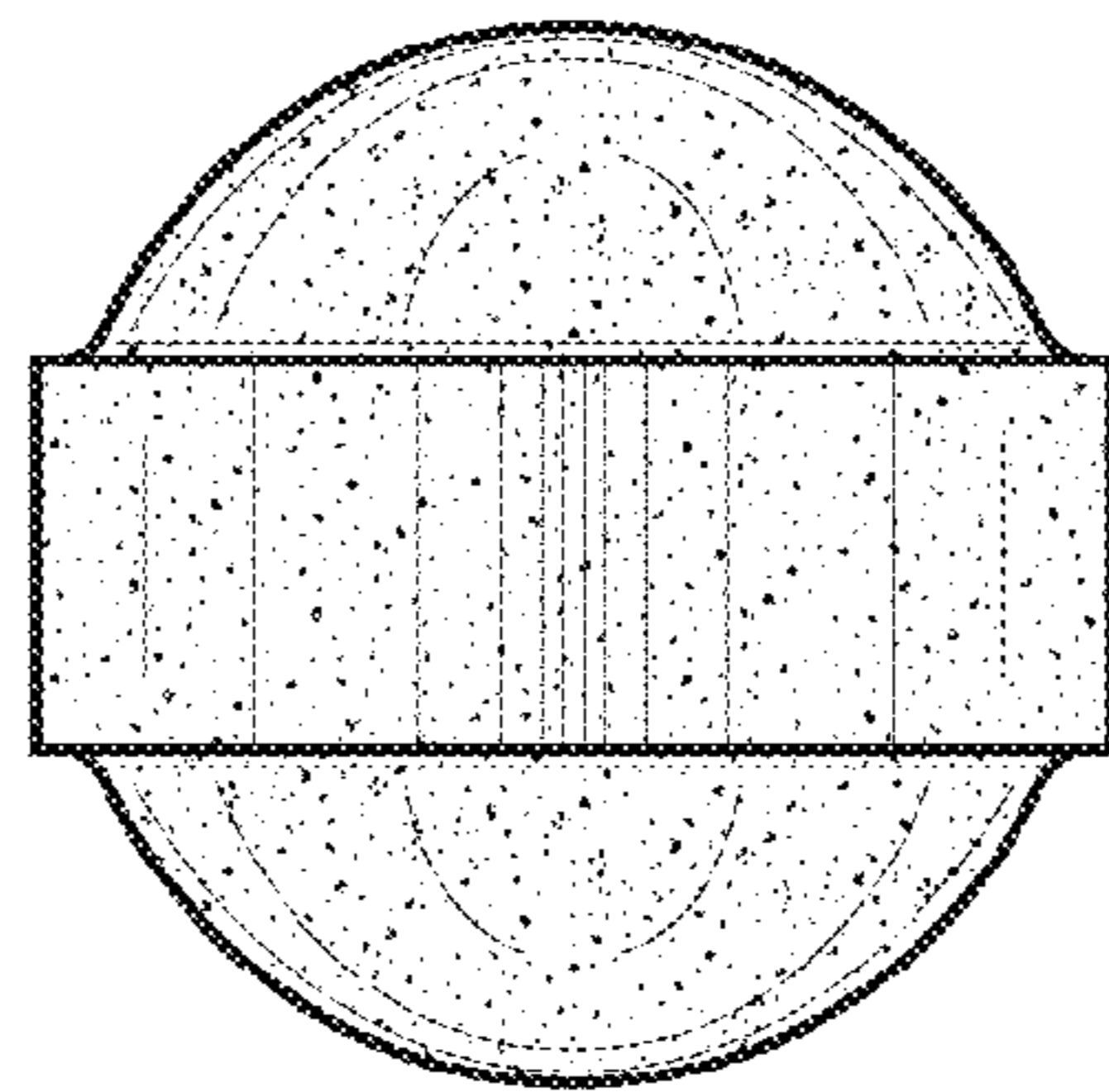


FIG. 8