



US00D773640S

(12) **United States Design Patent**
Wang

(10) **Patent No.:** **US D773,640 S**

(45) **Date of Patent:** **** Dec. 6, 2016**

(54) **CEILING FAN BLADE**

(71) Applicant: **YOUNGO LIMITED**, Hong Kong
(CN)

(72) Inventor: **Cliff Wang**, Taichung (TW)

(73) Assignee: **YOUNGO LIMITED**, Hong Kong
(CN)

(**) Term: **15 Years**

(21) Appl. No.: **29/539,305**

(22) Filed: **Sep. 11, 2015**

(51) **LOC (10) Cl.** **23-04**

(52) **U.S. Cl.**
USPC **D23/413**

(58) **Field of Classification Search**
USPC D23/370-387, 411-414, 365, 355, 342,
D23/332, 328, 337, 335, 314, 393;
415/60, 66, 68, 208.1, 213.1, 214.1,
415/209.3; 310/257; 361/695; 126/299 D,
126/299 R; D26/59, 89; D12/214
CPC F01D 9/042; F04D 25/08; F04D 29/70;
F04D 29/34; F04D 19/00; F04D
29/38; F24F 7/007; F24F 13/082; F24F
7/065; F24F 13/078

See application file for complete search history.

(56) **References Cited**

U.S. PATENT DOCUMENTS

D246,795 S * 12/1977 Bonifant 416/132 A
D330,077 S * 10/1992 Davis D23/413

D503,472 S * 3/2005 Tai D23/413
D597,198 S * 7/2009 Parker D23/413
7,665,967 B1 * 2/2010 Parker F04D 29/38
416/223 R
D615,183 S * 5/2010 Parker D23/413
D633,195 S * 2/2011 Stagg D23/413
D679,795 S * 4/2013 Allen D23/377
D726,299 S * 4/2015 Schulzman D23/413
D744,084 S * 11/2015 Wang D23/413
D755,948 S * 5/2016 Ertze D23/413

* cited by examiner

Primary Examiner — Susan Bennett Hattan

Assistant Examiner — Janice Hallmark

(74) *Attorney, Agent, or Firm* — Pai Patent & Trademark
Law Firm; Chao-Chang David Pai

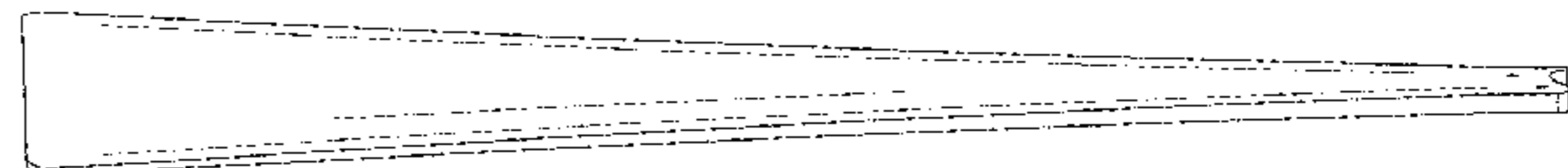
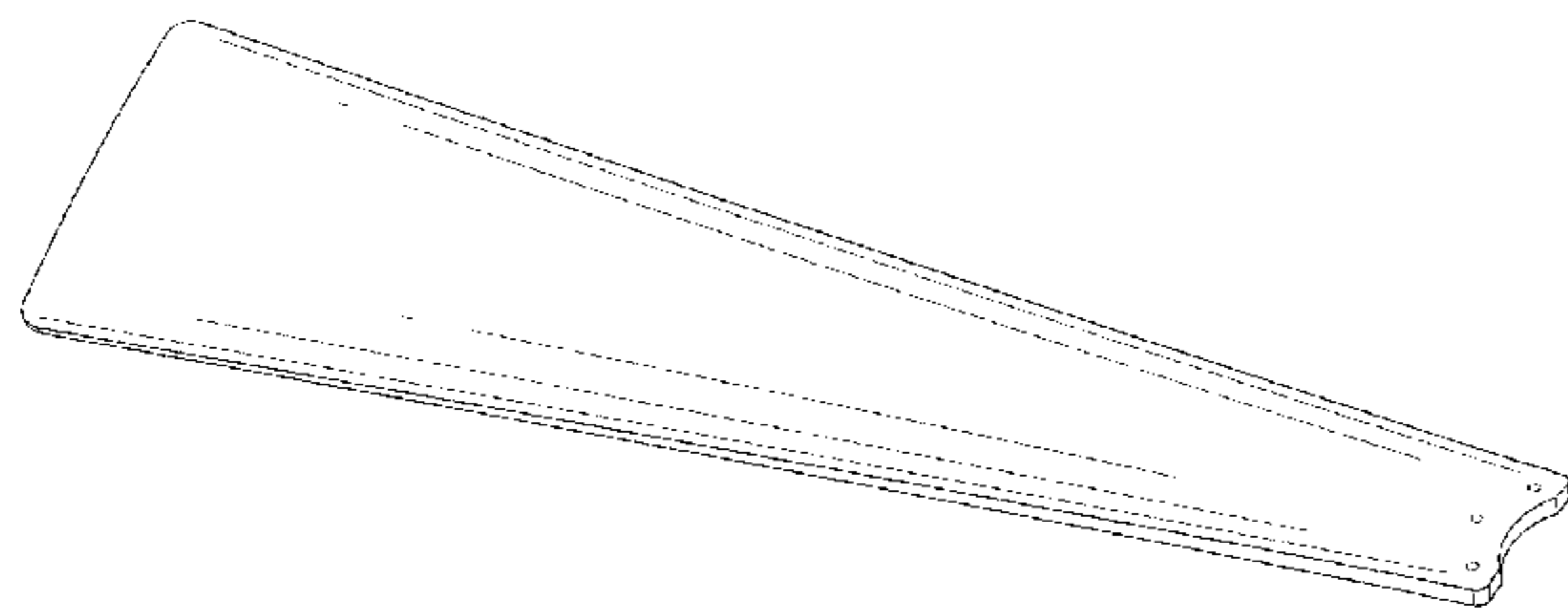
(57) **CLAIM**

The ornamental design for a ceiling fan blade, as shown and
described.

DESCRIPTION

FIG. 1 is a front perspective view of a ceiling fan blade
showing my new design;
FIG. 2 is a front elevational view thereof;
FIG. 3 is a rear elevational view thereof;
FIG. 4 is a left side elevational view thereof;
FIG. 5 is a right side elevational view thereof;
FIG. 6 is a top plan view thereof;
FIG. 7 is a bottom plan view thereof; and,
FIG. 8 is another front perspective view thereof.
The broken lines are for the purpose of illustrating environ-
mental structure and form no part of the claimed design.

1 Claim, 5 Drawing Sheets



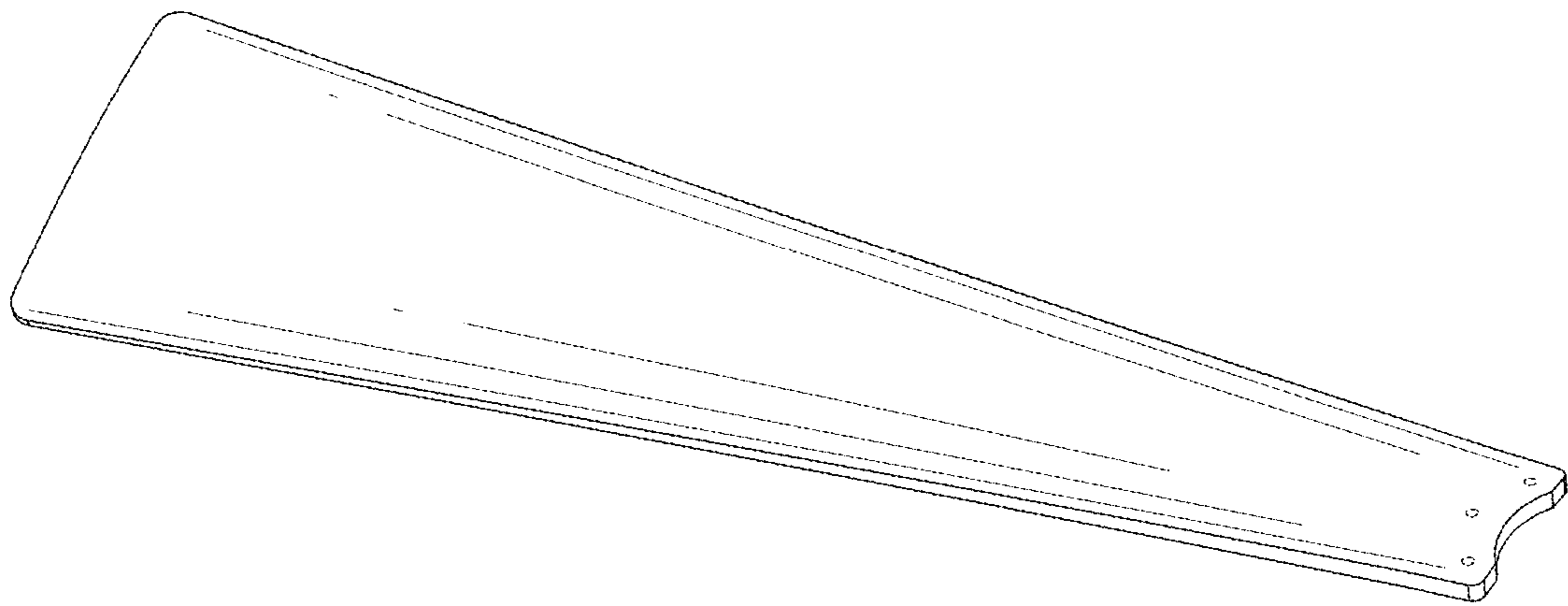


FIG. 1

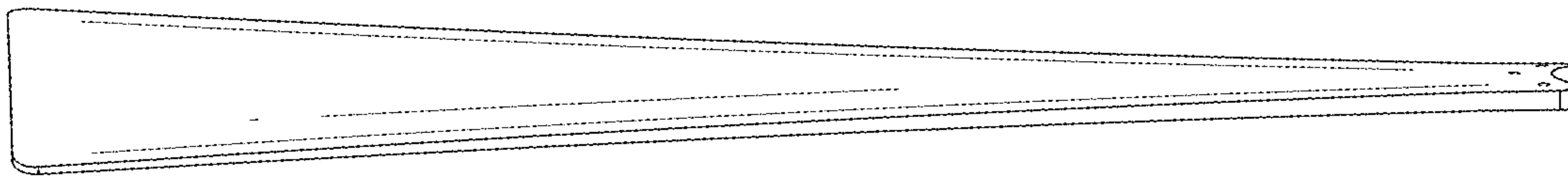


FIG. 2

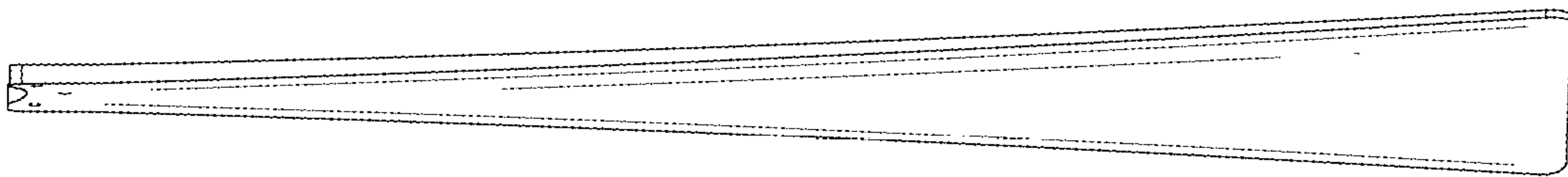


FIG. 3

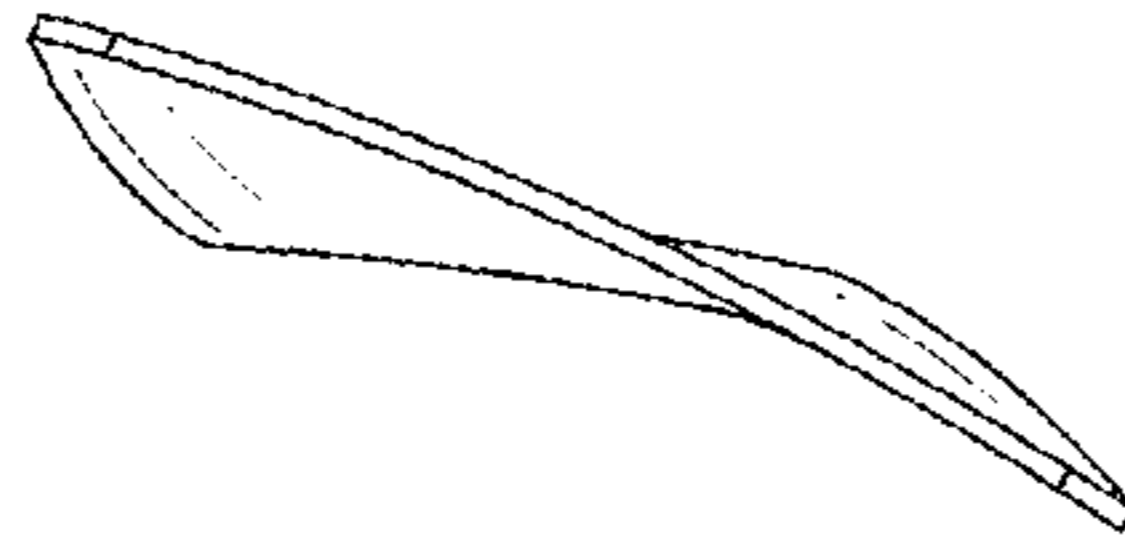


FIG. 4

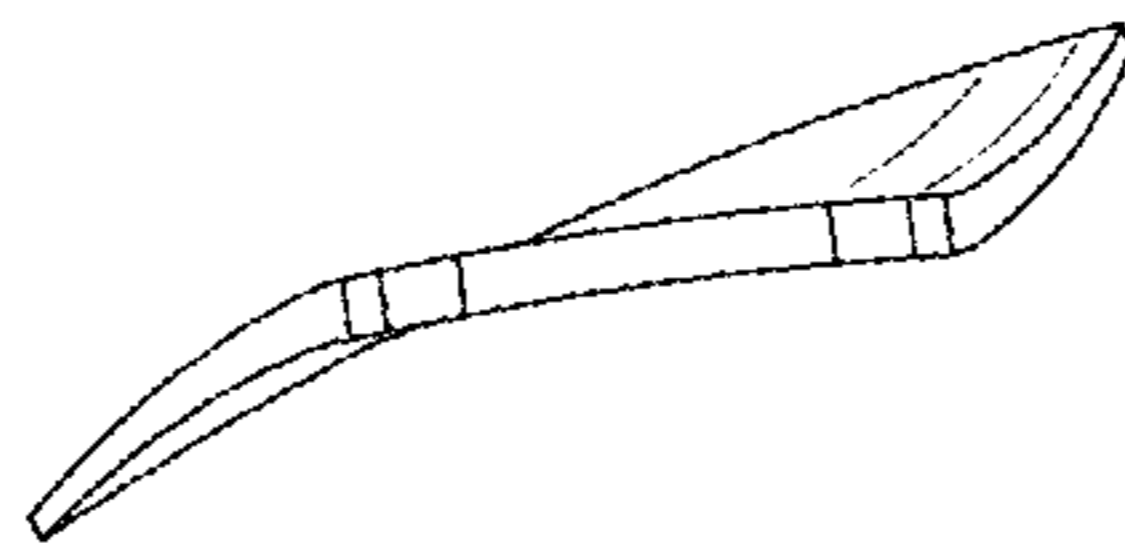


FIG. 5

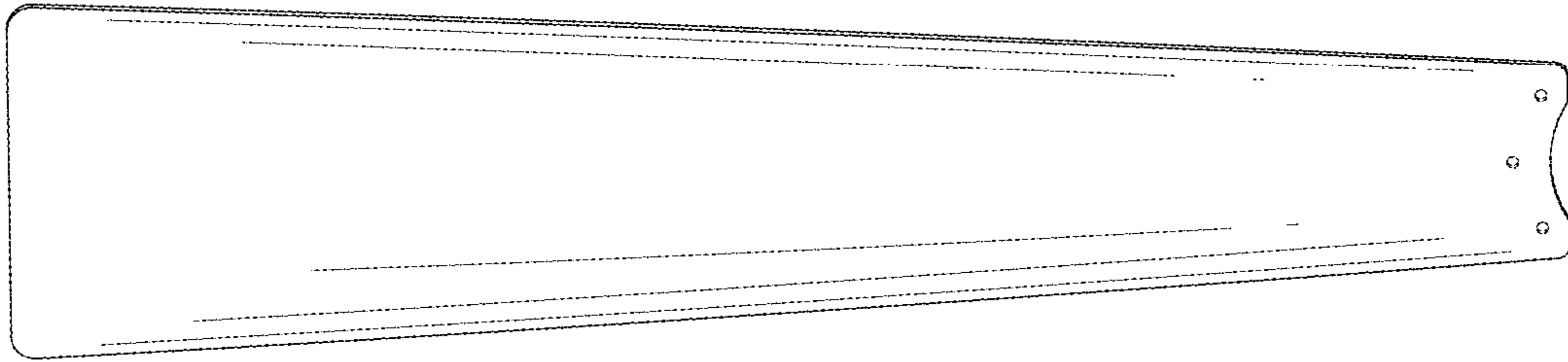


FIG. 6

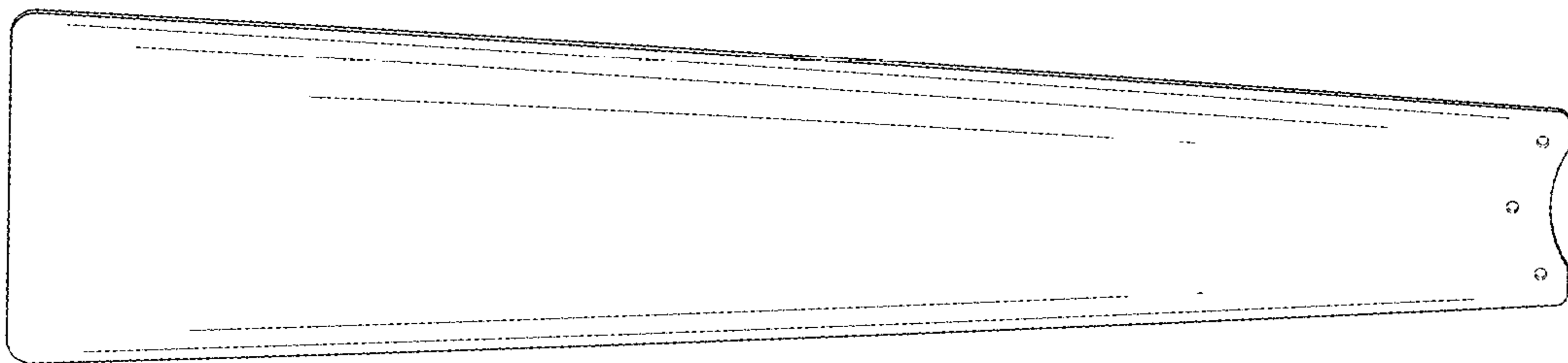


FIG. 7

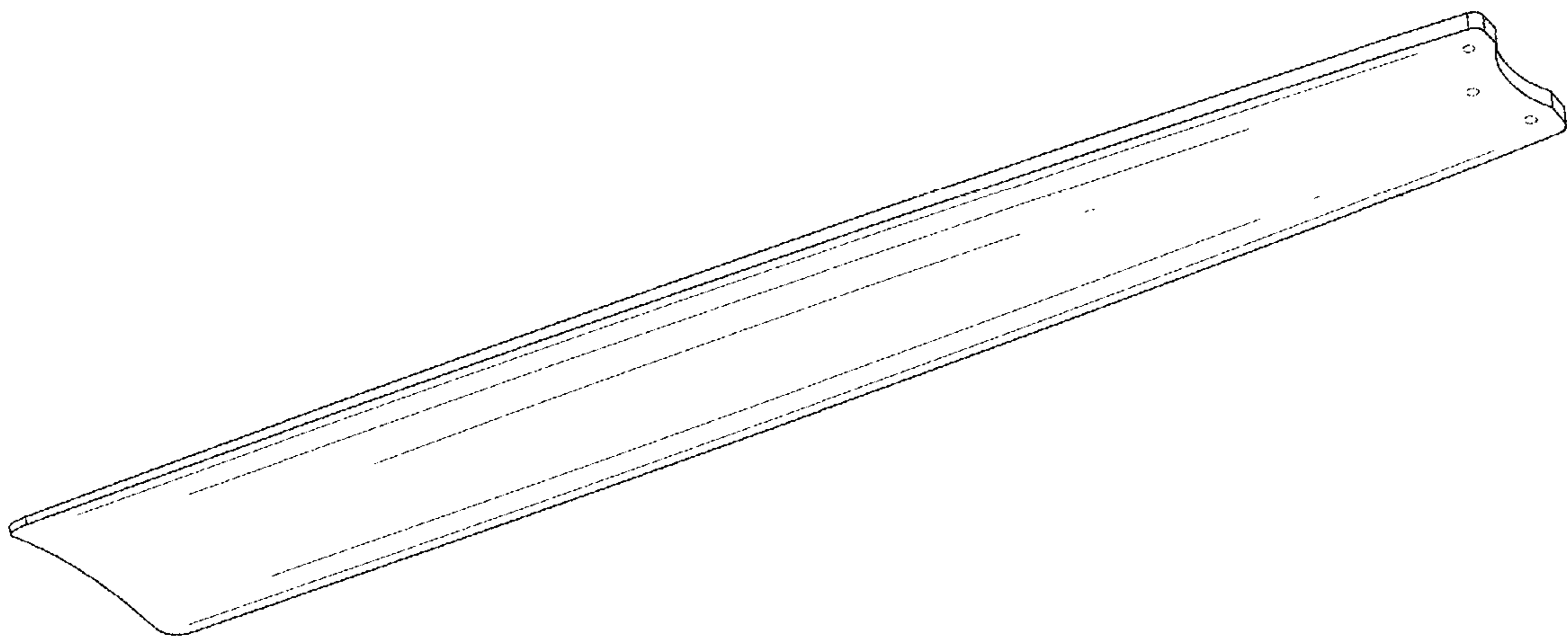


FIG. 8