



US00D773638S

(12) **United States Design Patent** (10) **Patent No.:** **US D773,638 S**
Wang (45) **Date of Patent:** **** Dec. 6, 2016**

(54) **CEILING FAN MOTOR HOUSING**

(71) Applicant: **YOUNGO LIMITED**, Hong Kong (CN)

(72) Inventor: **Cliff Wang**, Taichung (TW)

(73) Assignee: **YOUNGO LIMITED**, Hong Kong (CN)

(**) Term: **15 Years**

(21) Appl. No.: **29/539,303**

(22) Filed: **Sep. 11, 2015**

(51) **LOC (10) Cl.** **23-04**

(52) **U.S. Cl.**
USPC **D23/411**

(58) **Field of Classification Search**
USPC D23/370-387, 411-414, 365, 355, 342, D23/332, 328, 337, 335, 314, 393; 415/60, 66, 415/68, 208.1, 213.1, 214.1, 209.3; 310/257; 361/695; 126/299 D, 299 R; D26/59, 89
CPC F01D 9/042; F04D 25/08; F04D 29/70; F04D 29/34; F04D 19/00; F24F 7/007; F24F 13/082; F24F 7/065; F24F 13/078

See application file for complete search history.

(56) **References Cited**

U.S. PATENT DOCUMENTS

D348,729 S * 7/1994 Mason D23/377
D384,739 S * 10/1997 Dolan D23/377

D689,236 S * 9/2013 Wang D26/59
D706,920 S * 6/2014 Cohen D23/411
D707,343 S * 6/2014 Wang D23/411
D743,527 S * 11/2015 Wang D23/411
D758,561 S * 6/2016 Dolan D23/411
2011/0052411 A1* 3/2011 Yamamoto F04D 25/08
416/244 R

* cited by examiner

Primary Examiner — Susan Bennett Hattan

Assistant Examiner — Janice Hallmark

(74) *Attorney, Agent, or Firm* — Pai Patent & Trademark Law Firm; Chao-Chang David Pai

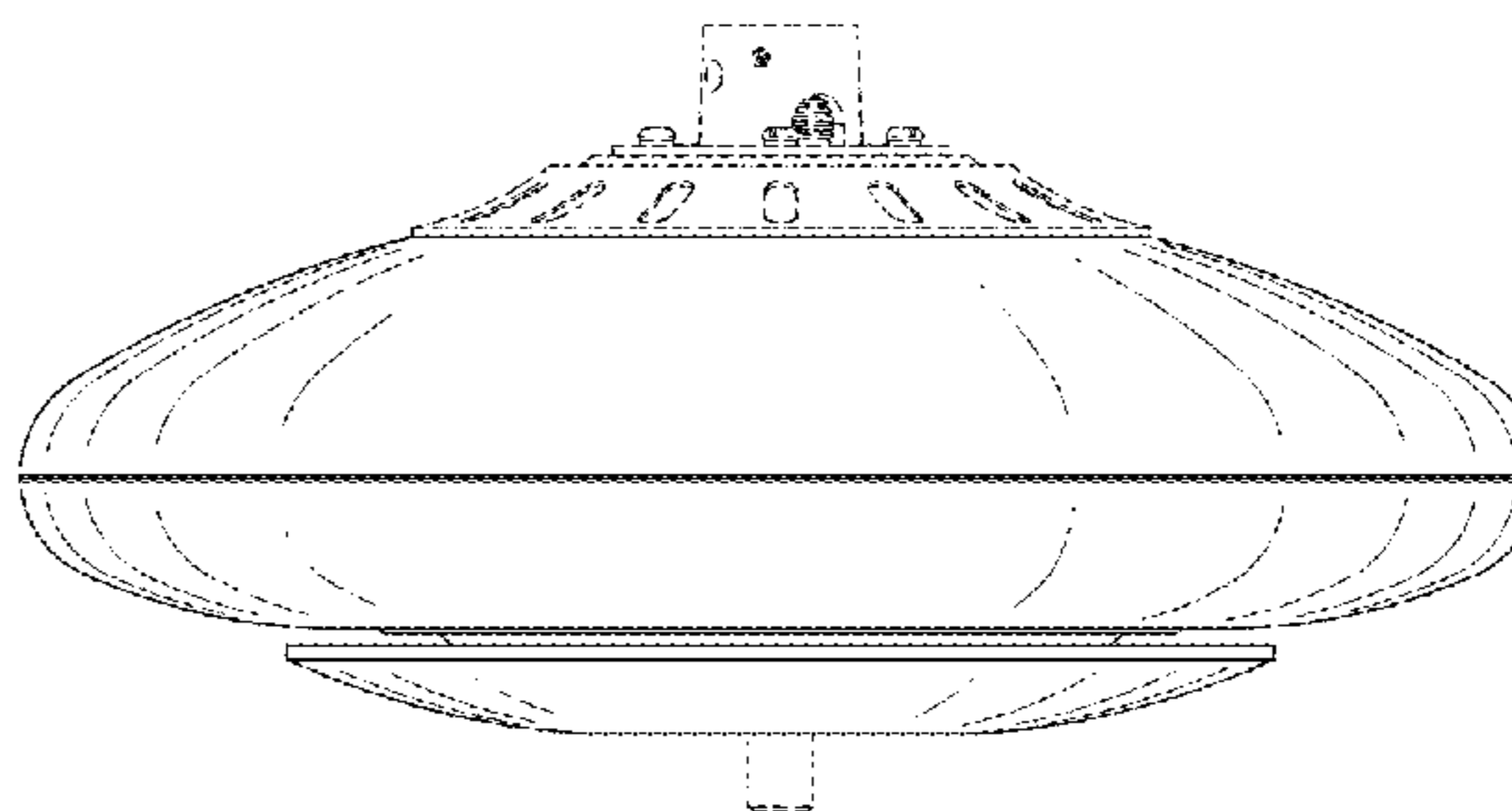
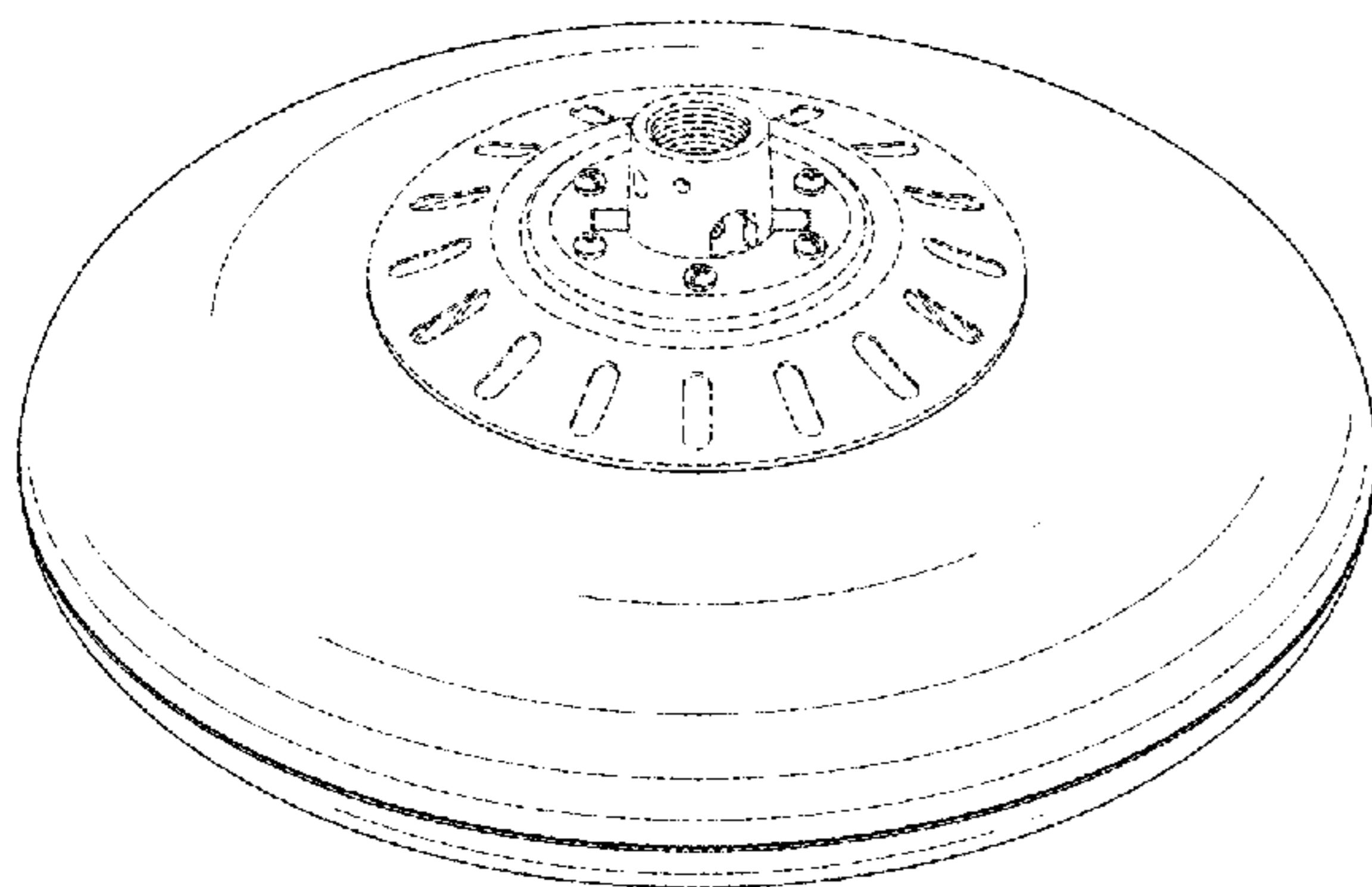
(57) **CLAIM**

The ornamental design for a ceiling fan motor housing, as shown and described.

DESCRIPTION

FIG. 1 is a front perspective view of a ceiling fan motor housing showing my new design;
FIG. 2 is a front elevational view thereof;
FIG. 3 is a rear elevational view thereof;
FIG. 4 is a left side elevational view thereof;
FIG. 5 is a right side elevational view thereof;
FIG. 6 is a top plan view thereof;
FIG. 7 is a bottom plan view thereof; and,
FIG. 8 is another front perspective view thereof.
The broken lines are for the purpose of illustrating environmental structure and form no part of the claimed design.

1 Claim, 6 Drawing Sheets



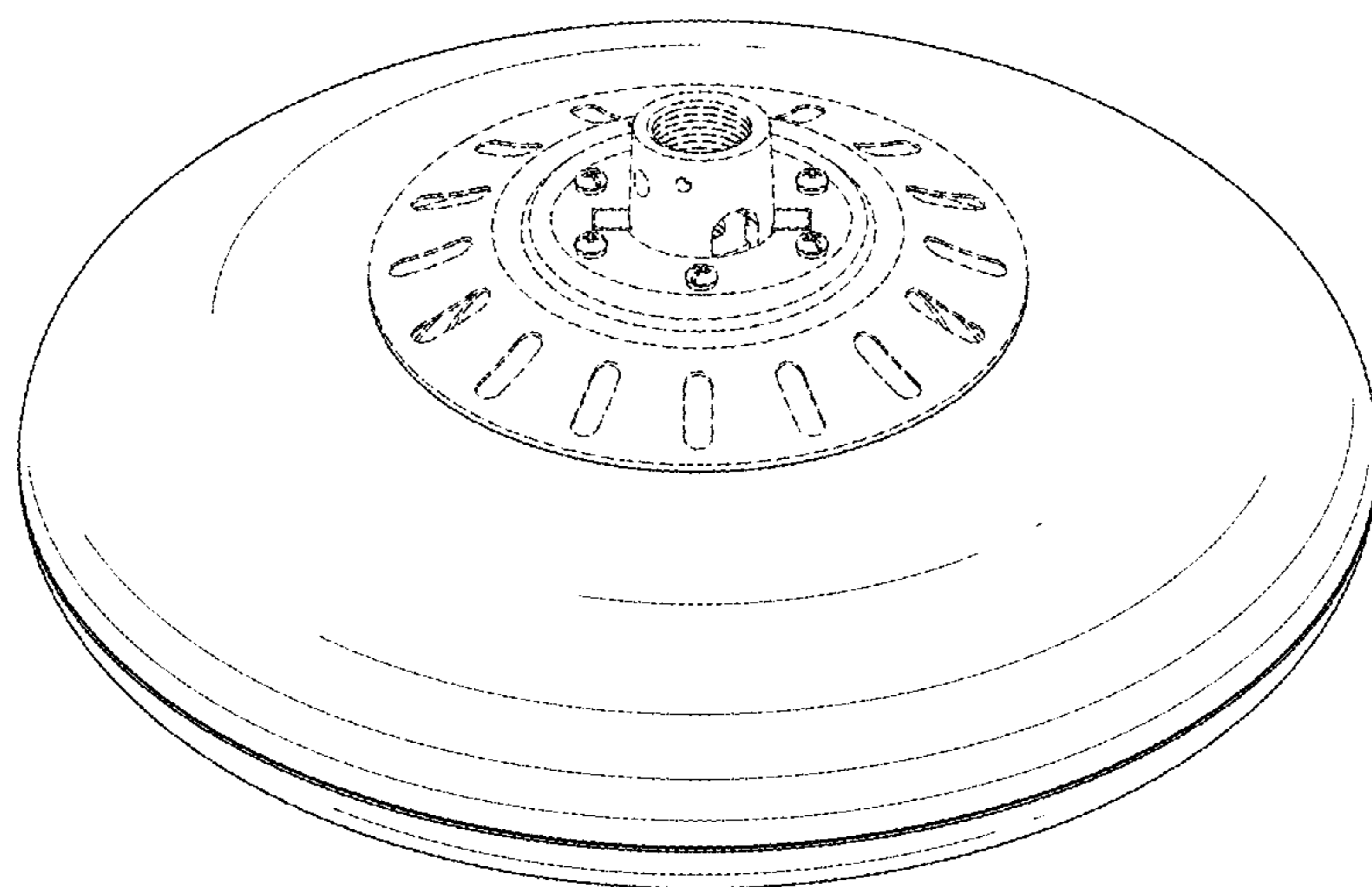


FIG. 1

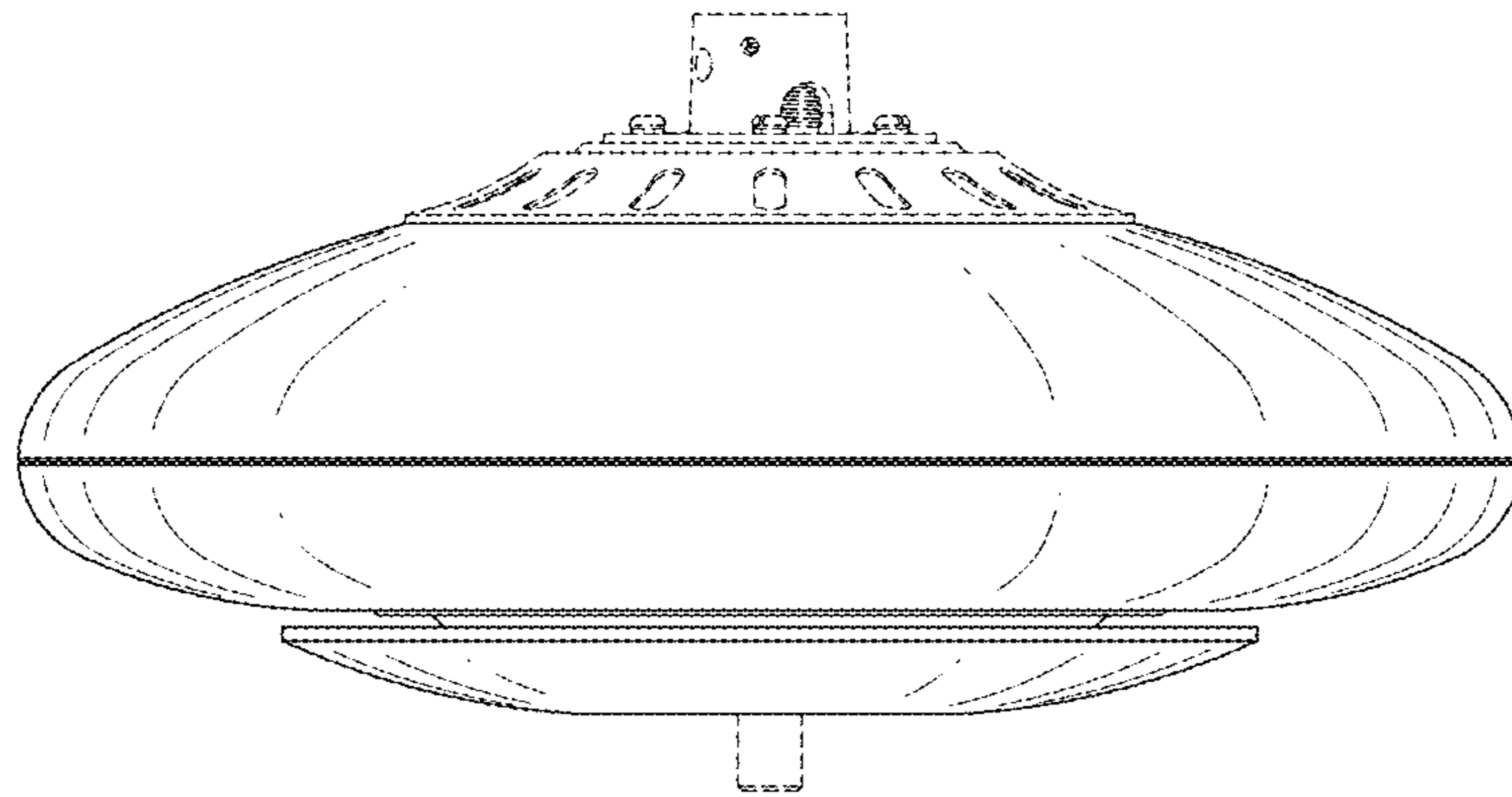


FIG. 2

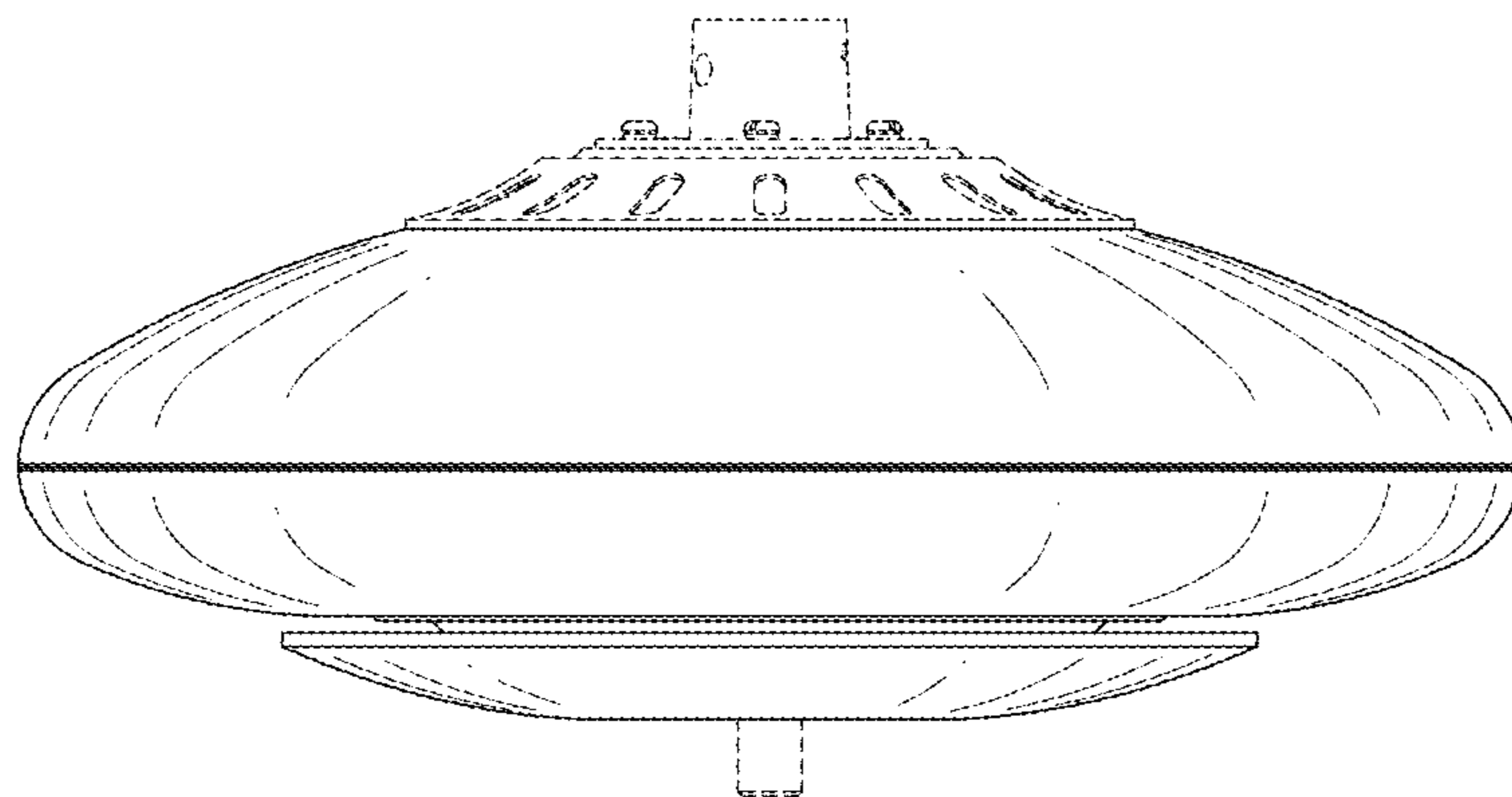


FIG. 3

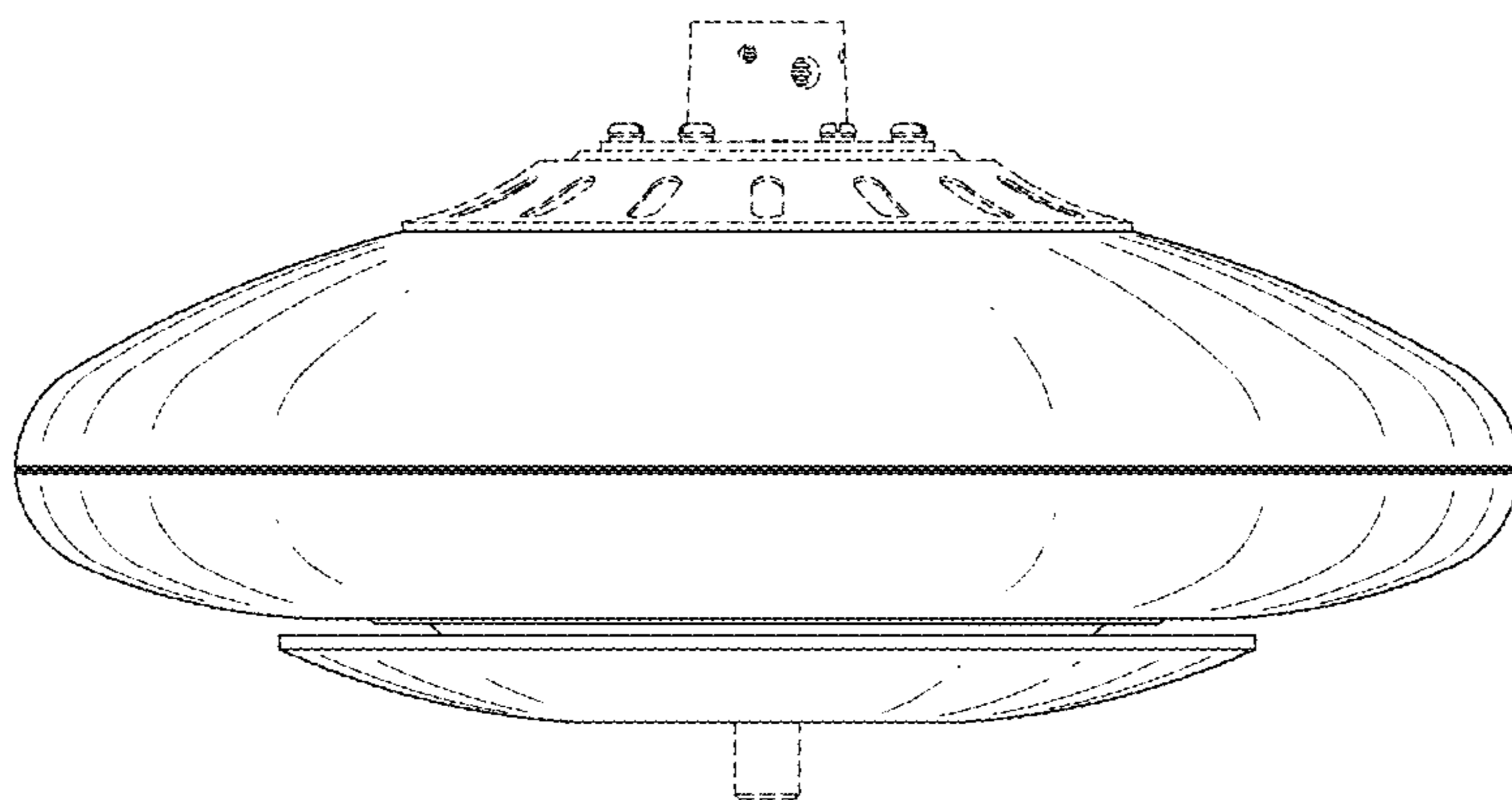


FIG. 4

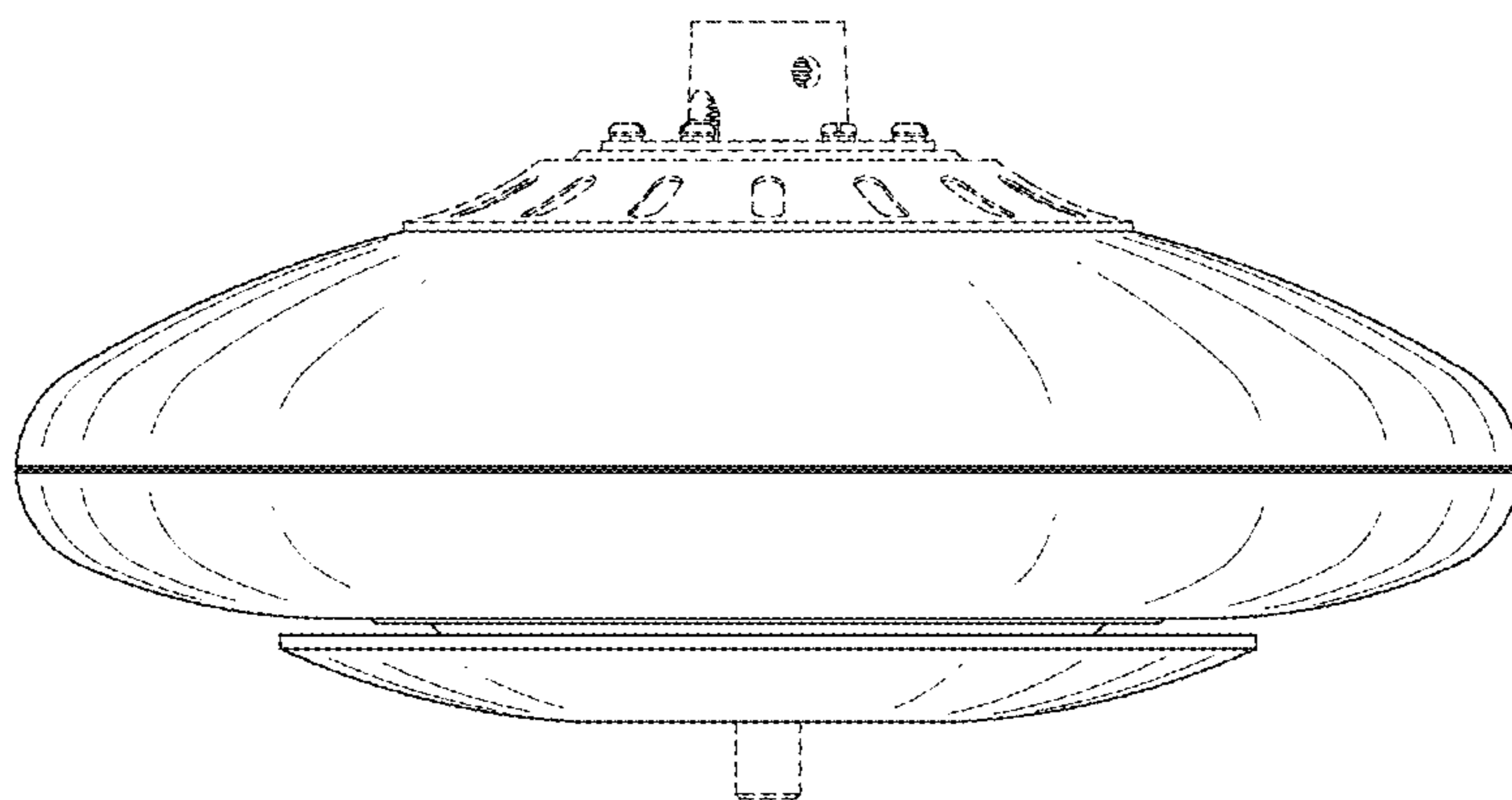


FIG. 5

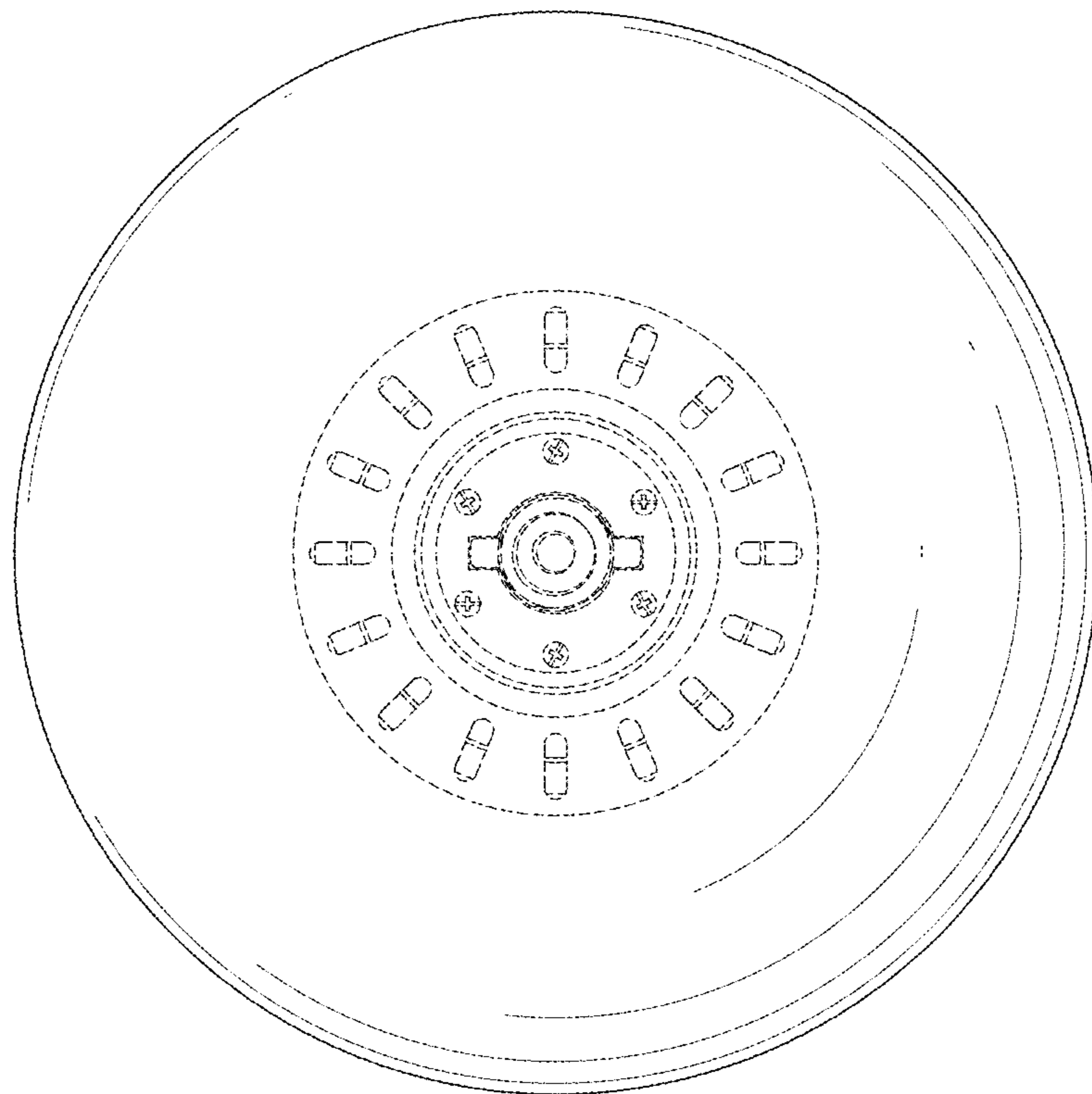


FIG. 6

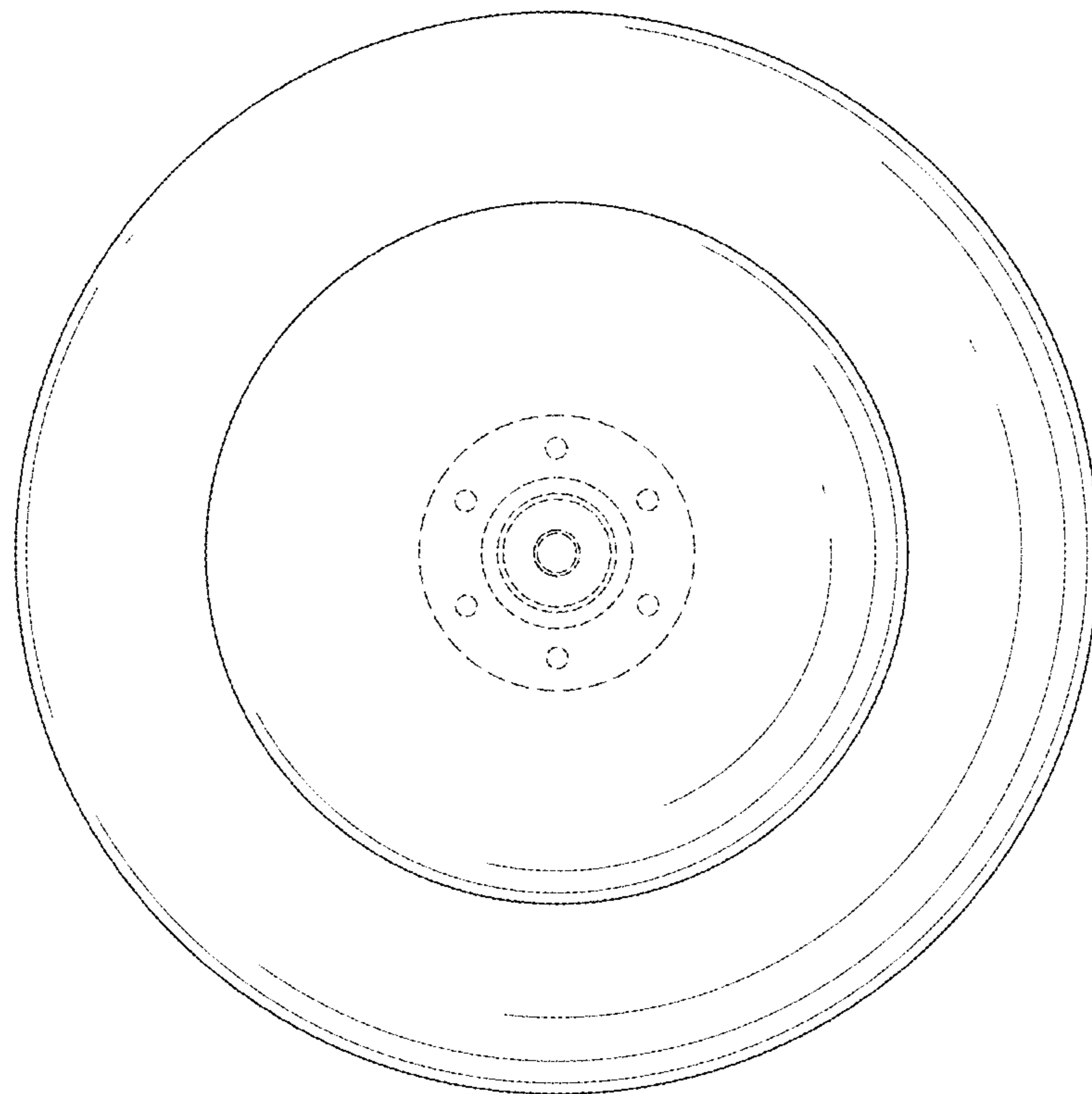


FIG. 7

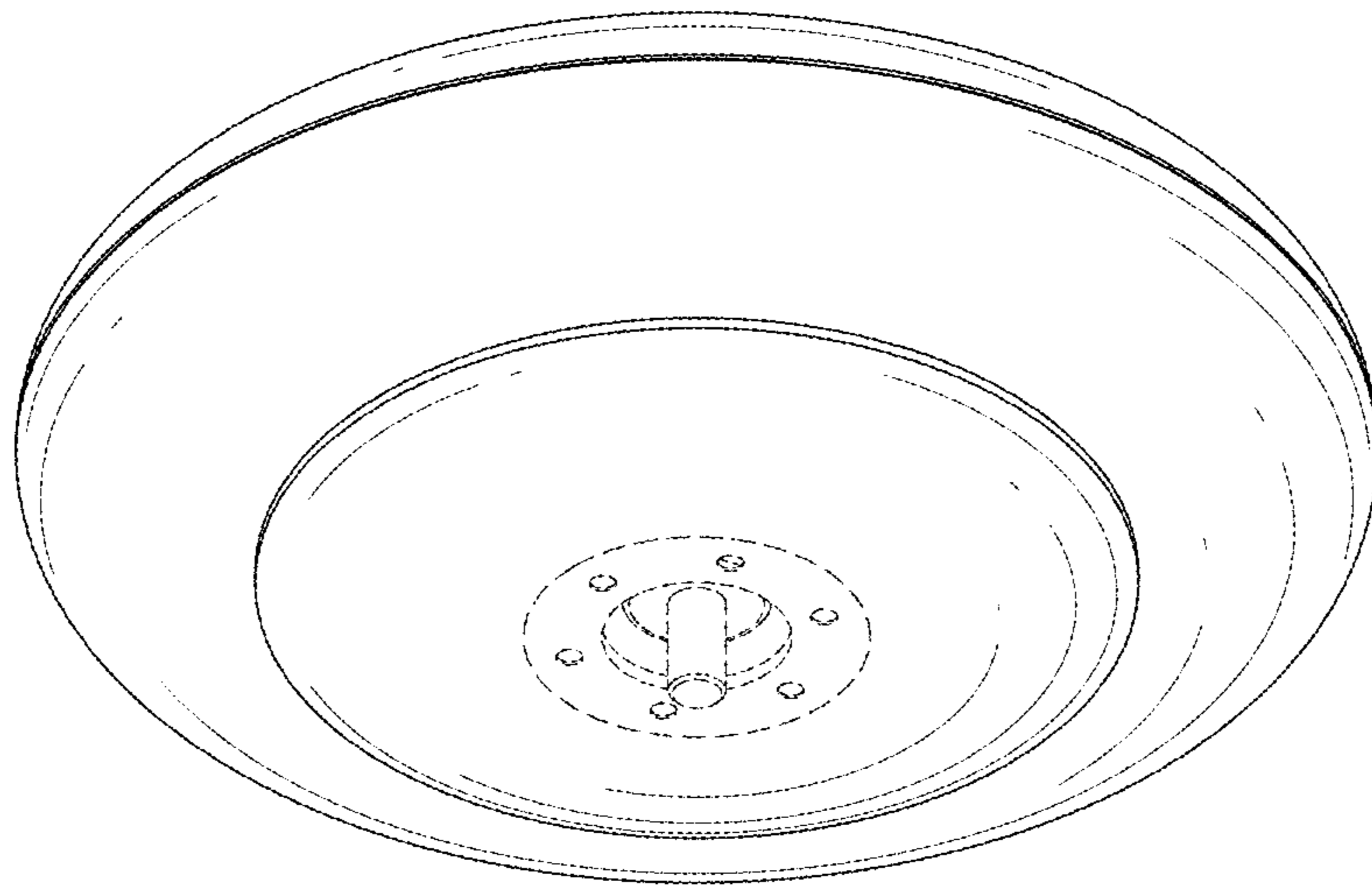


FIG. 8