



US00D773637S

(12) **United States Design Patent**  
**Ertze**

(10) **Patent No.:** **US D773,637 S**

(45) **Date of Patent:** **\*\* Dec. 6, 2016**

(54) **COMBINED CEILING FAN HOUSING,  
LIGHT KIT AND FAN BLADE BRACKET**

(71) Applicant: **YOUNGO LIMITED**, Hong Kong  
(CN)

(72) Inventor: **Pablo J. Ertze**, Ontario, CA (US)

(73) Assignee: **YONGO LIMITED**, Hong Kong (HK)

(\*\*) Term: **15 Years**

(21) Appl. No.: **29/537,802**

(22) Filed: **Aug. 28, 2015**

(51) **LOC (10) Cl.** ..... **23-04**

(52) **U.S. Cl.**  
USPC ..... **D23/411; D23/377; D26/59**

(58) **Field of Classification Search**  
USPC ..... D23/370-387, 411-414, 365, 355,  
342, D23/332, 328, 337, 335, 314, 393;  
415/60, 66, 415/68, 208.1, 213.1, 214.1,  
209.3; 310/257; 361/695; 126/299 D,  
299 R; D26/59, 89  
CPC ..... F01D 9/042; F04D 25/08; F04D 29/70;  
F04D 29/34; F04D 19/00; F24F  
7/007; F24F 13/082; F24F 7/065; F24F  
13/078

See application file for complete search history.

(56) **References Cited**

**U.S. PATENT DOCUMENTS**

6,059,531 A \* 5/2000 Tai ..... F04D 29/34  
403/326  
D476,406 S \* 6/2003 Friedes ..... D23/377

D525,696 S \* 7/2006 Ertze ..... D23/377  
D543,268 S \* 5/2007 Ertze ..... D23/377  
D545,424 S \* 6/2007 Ertze ..... D23/411  
D551,753 S \* 9/2007 Ertze ..... D23/411  
D603,954 S \* 11/2009 Curtin ..... D23/411  
D704,822 S \* 5/2014 Wang ..... D23/411

\* cited by examiner

*Primary Examiner* — Susan Bennett Hattan

*Assistant Examiner* — Janice Hallmark

(74) *Attorney, Agent, or Firm* — Muncy, Geissler, Olds &  
Lowe, P.C.

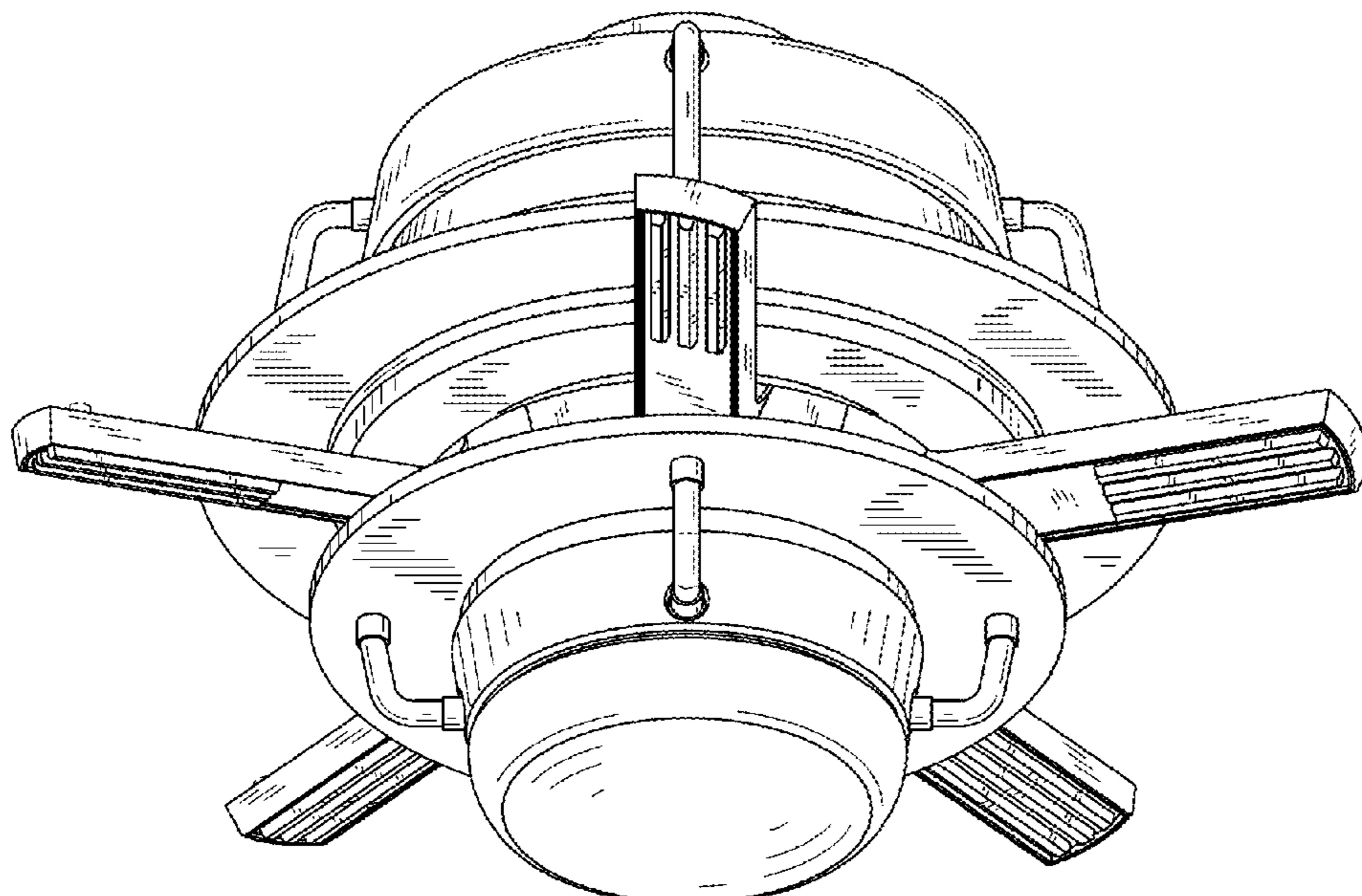
(57) **CLAIM**

The ornamental design for a combined ceiling fan housing,  
light kit and fan blade bracket, as shown and described.

**DESCRIPTION**

FIG. 1 is a perspective view of the present design;  
FIG. 2 is a front view of the present design;  
FIG. 3 is a rear view of the present design;  
FIG. 4 is a left side view of the present design;  
FIG. 5 is a right side view of the present design;  
FIG. 6 is a top view of the present design; and,  
FIG. 7 is a bottom view of the present design. ps The broken  
lines in the drawings depict parts of the combined ceiling fan  
housing, light kit, and fan blade bracket that form no part of  
the claimed design.

**1 Claim, 7 Drawing Sheets**



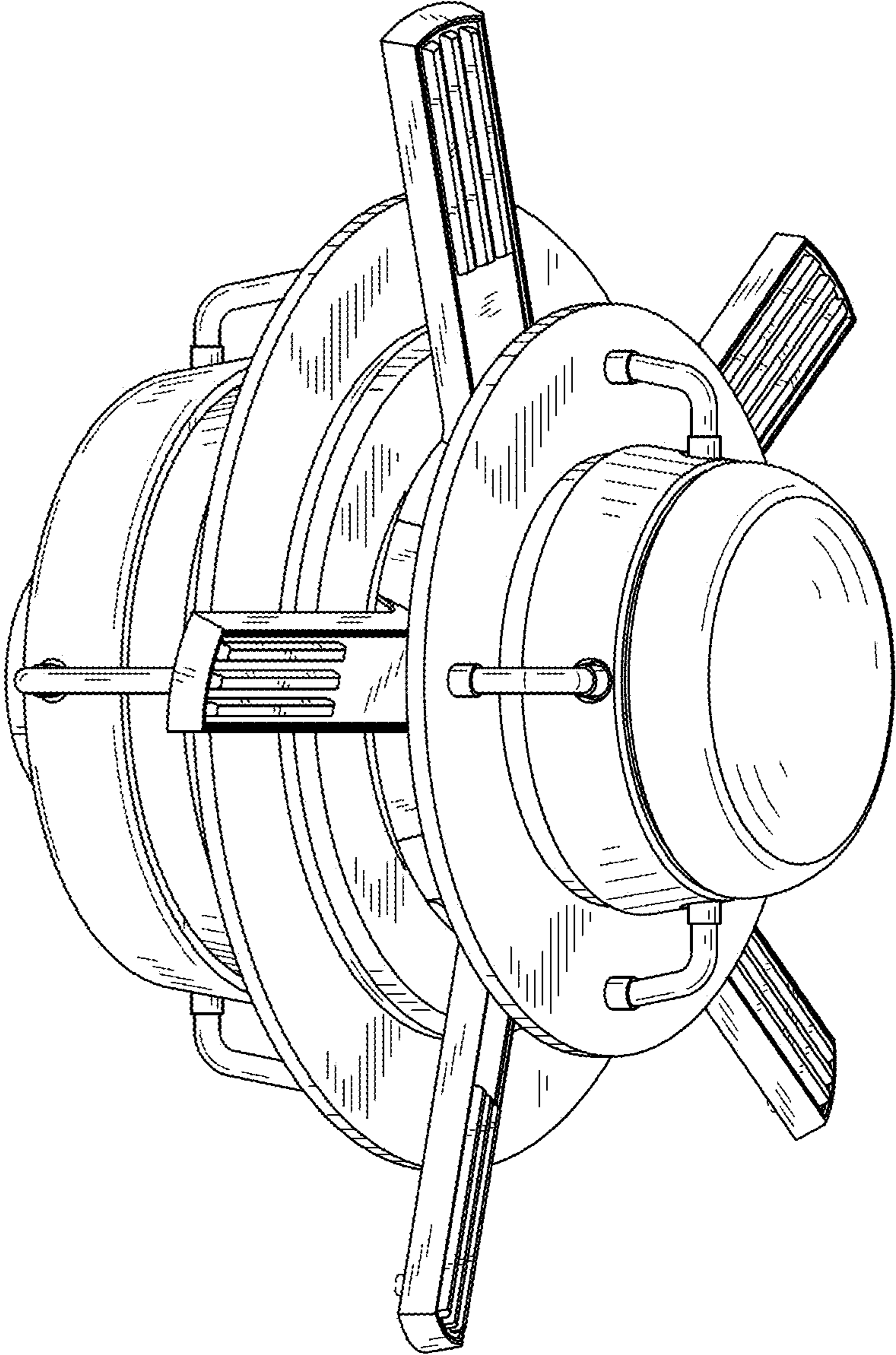


FIG. 1

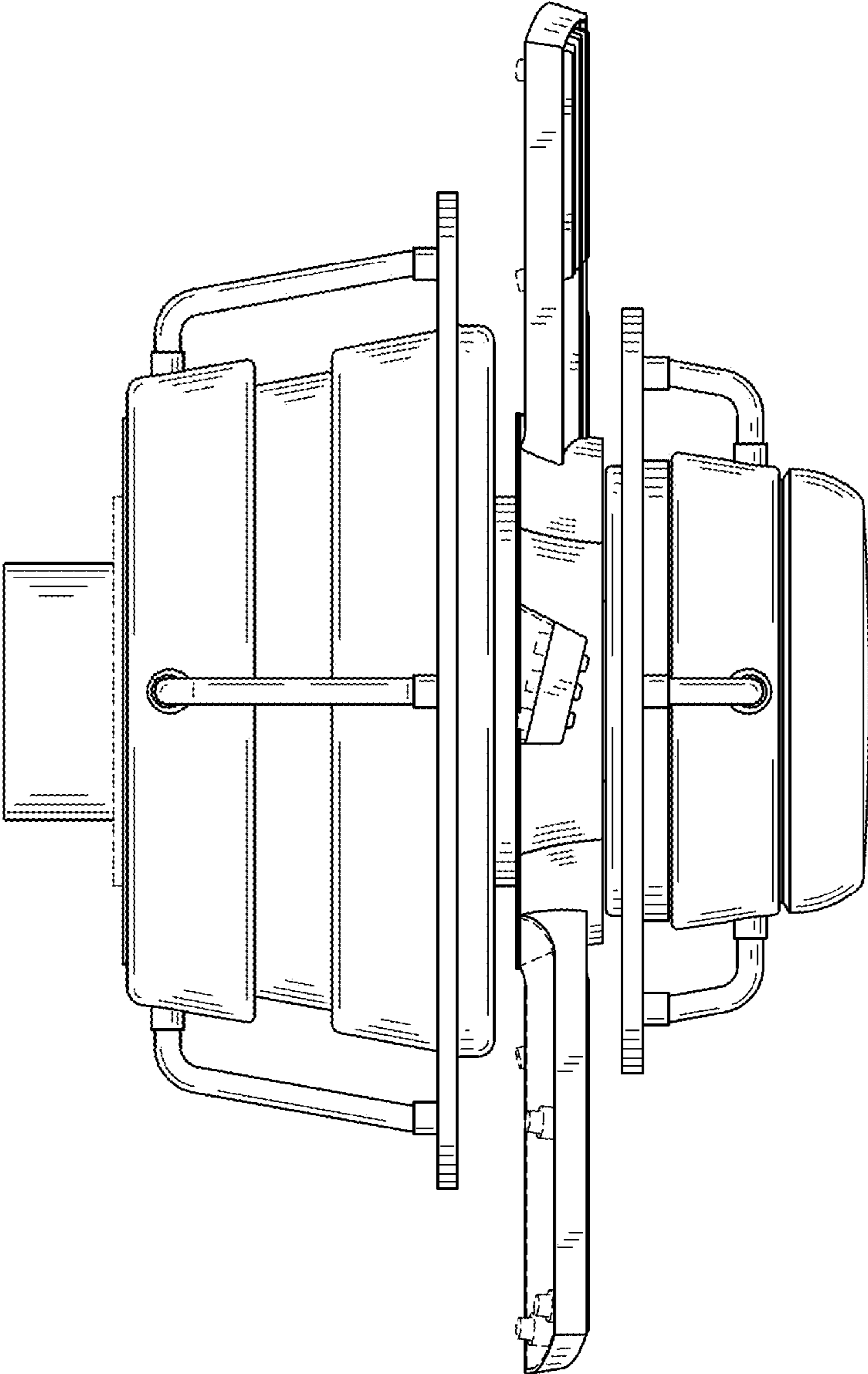


FIG. 2

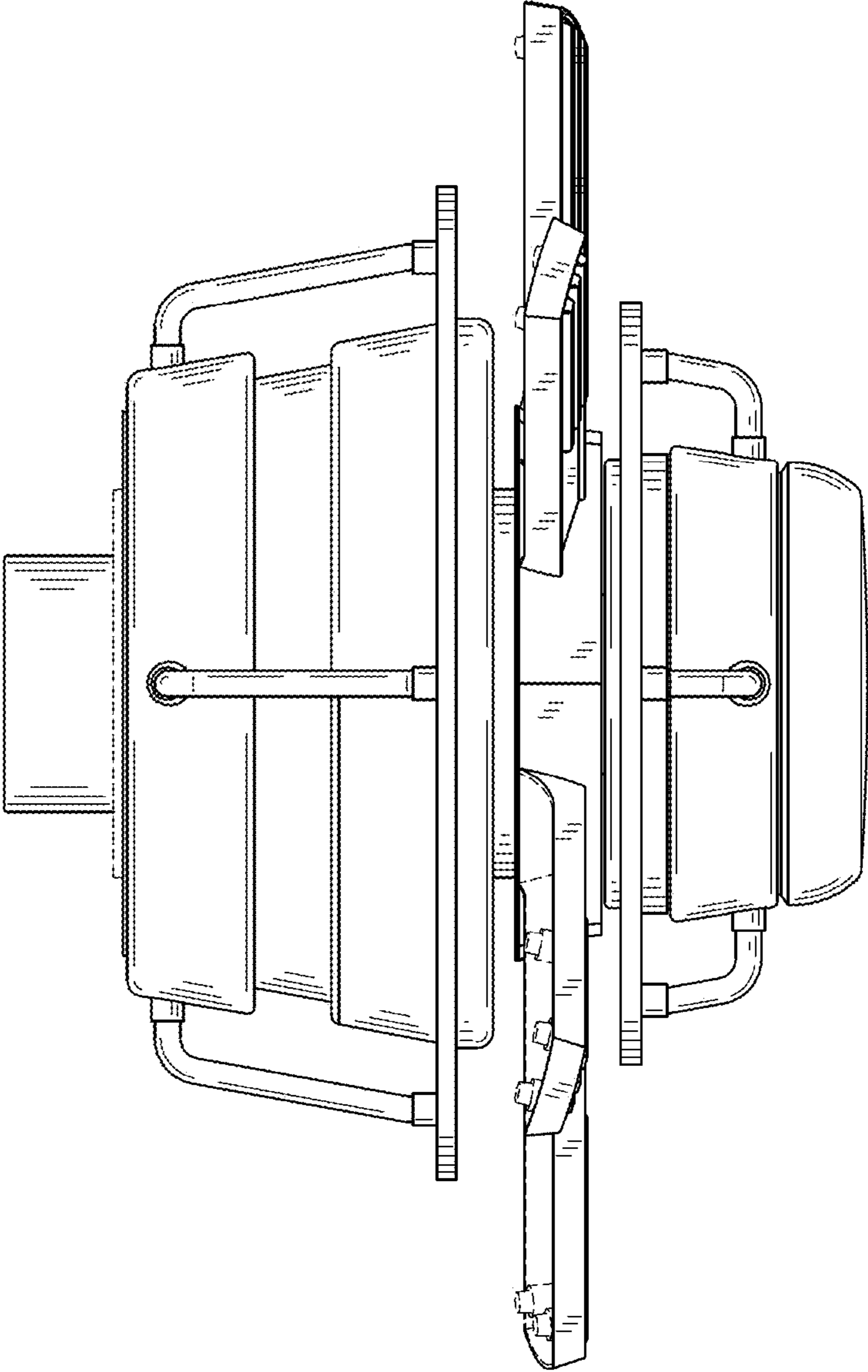


FIG. 3

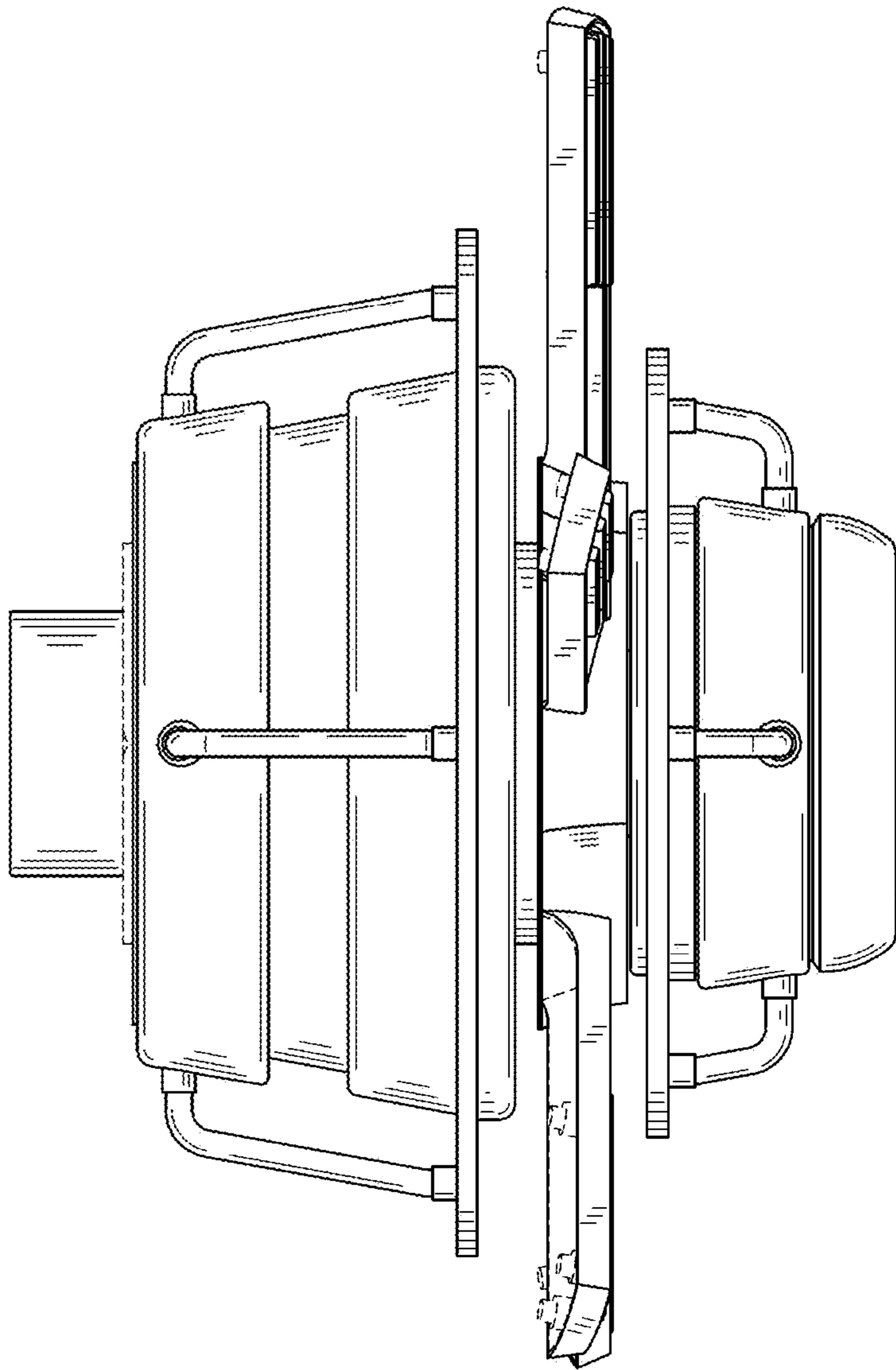


FIG. 4

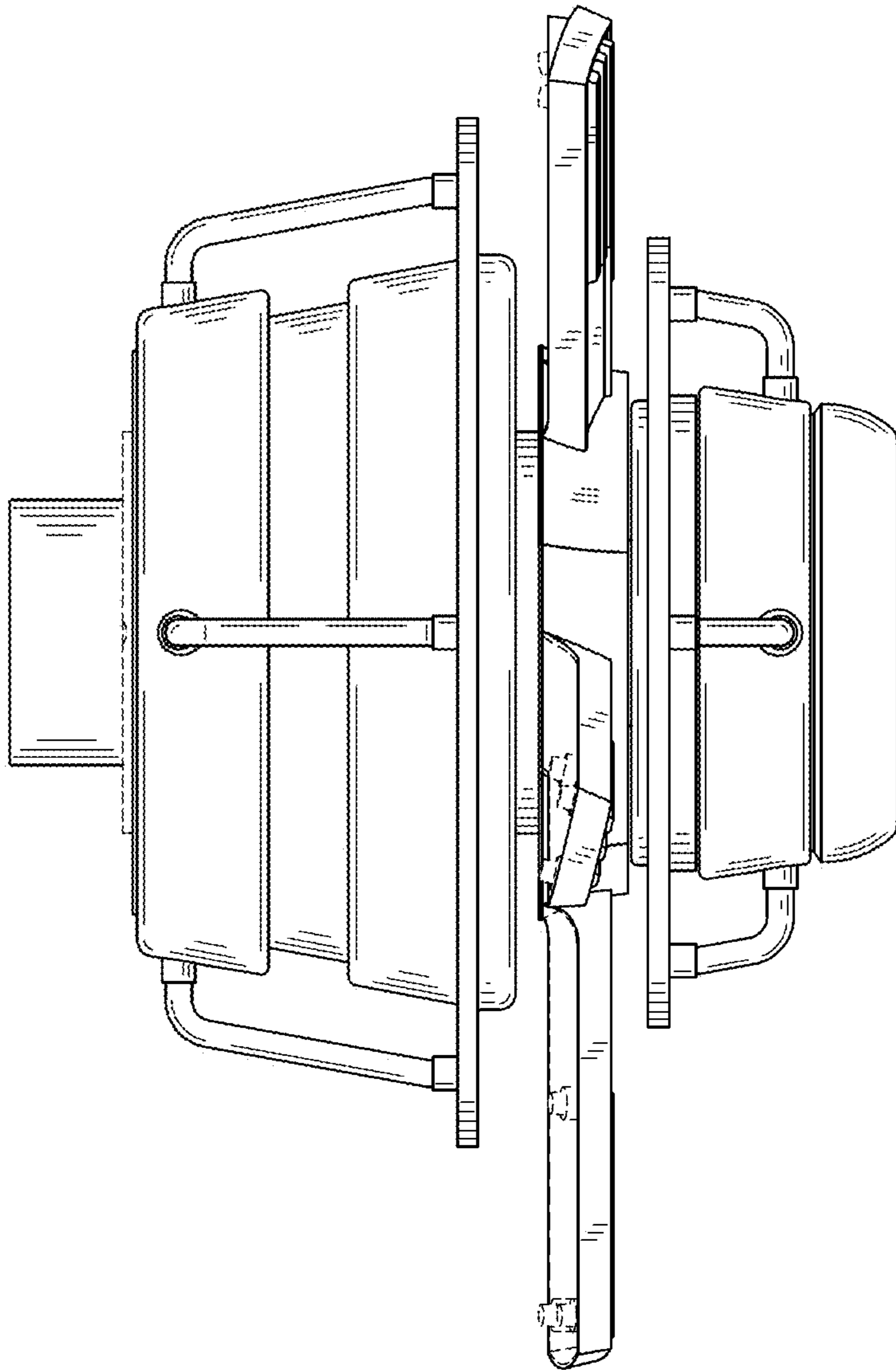


FIG. 5

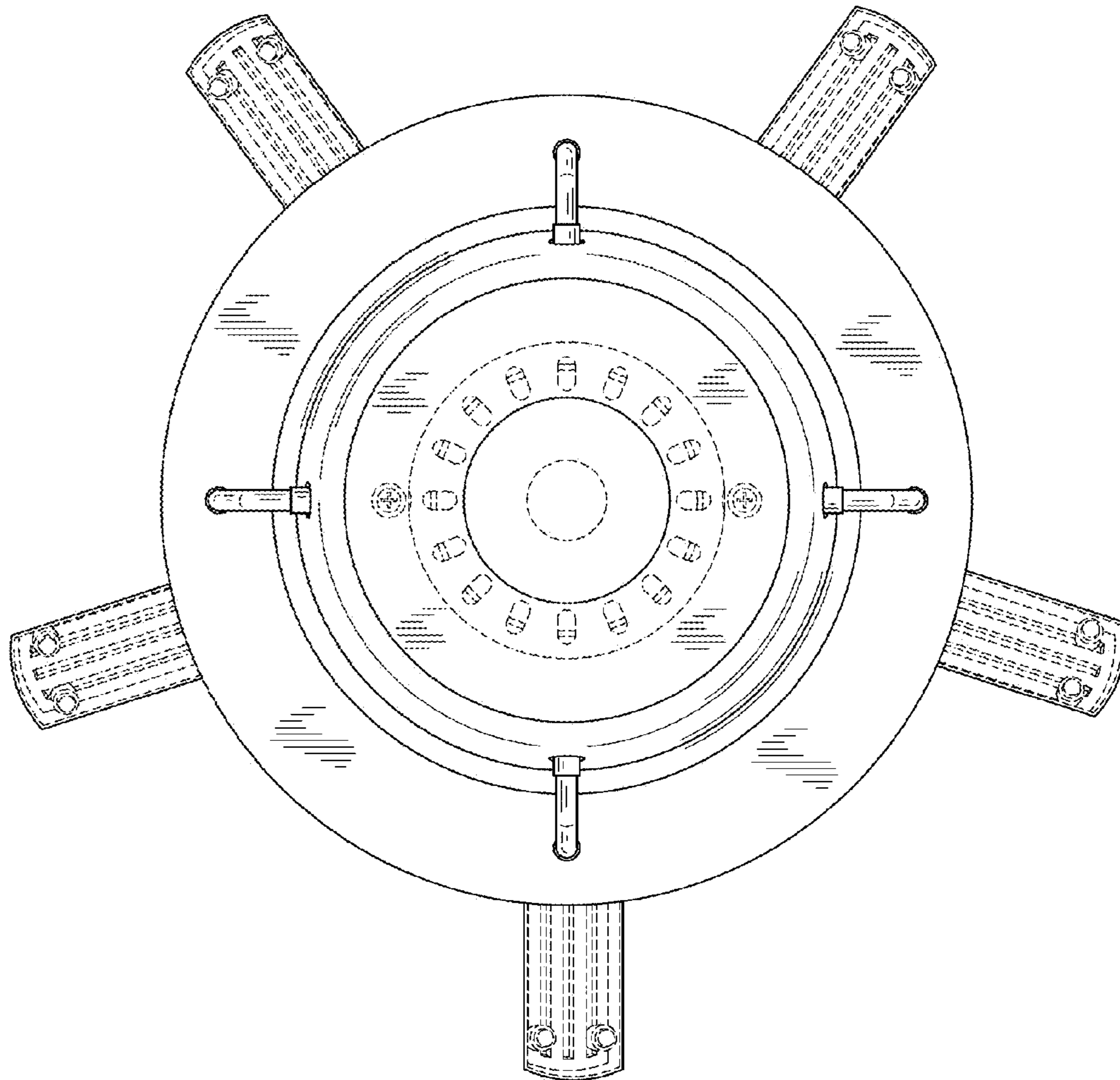


FIG. 6

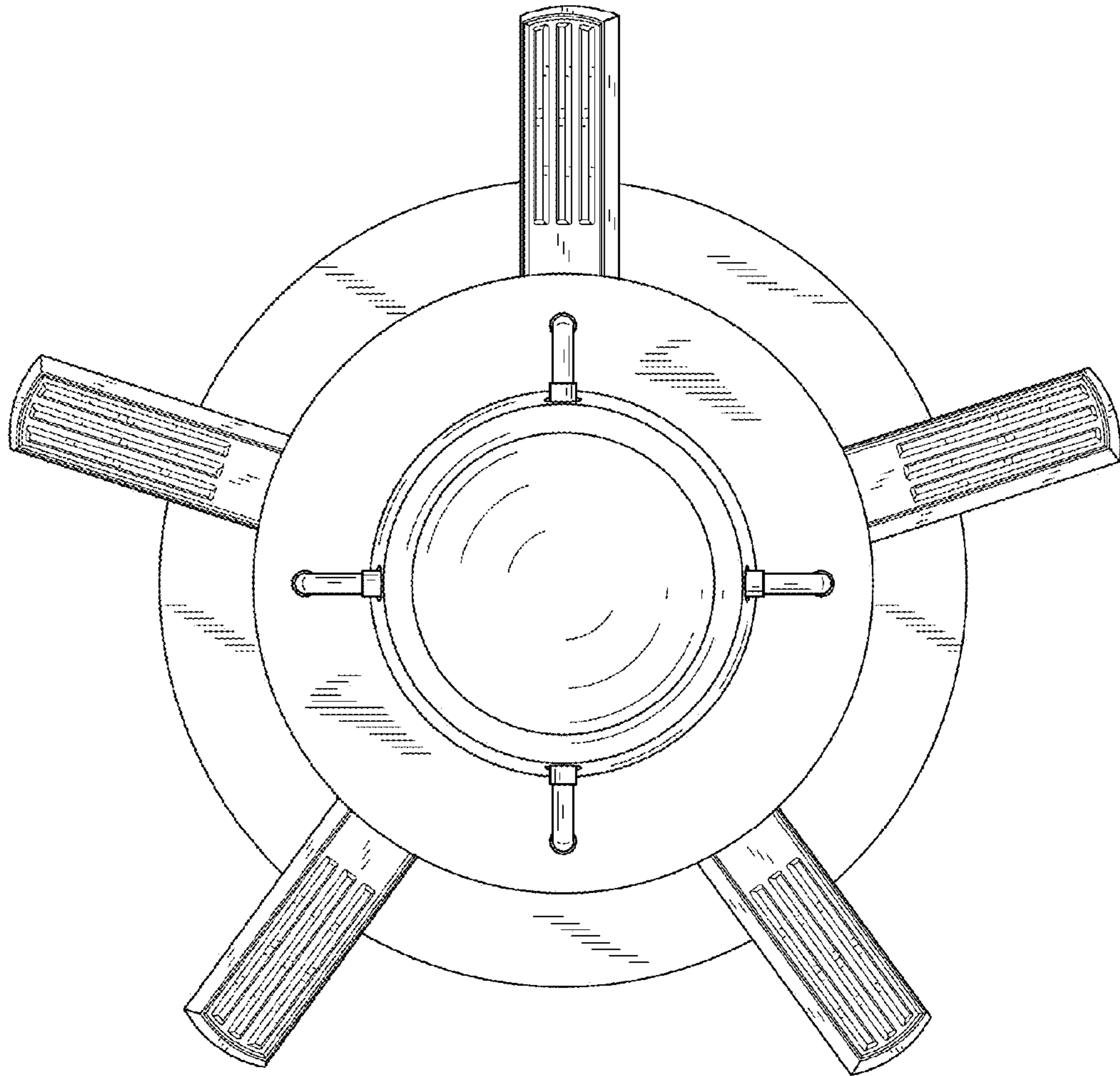


FIG. 7