



US00D773635S

(12) **United States Design Patent** (10) **Patent No.:** **US D773,635 S**
Raether (45) **Date of Patent:** **** Dec. 6, 2016**

- (54) **FILTER CARTRIDGE YOKE**
- (71) Applicant: **Donaldson Company, Inc.**,
Bloomington, MN (US)
- (72) Inventor: **Thomas D. Raether**, St. Louis Park,
MN (US)
- (73) Assignee: **Donaldson Company, Inc.**,
Bloomington, MN (US)
- (**) Term: **14 Years**
- (21) Appl. No.: **29/482,763**
- (22) Filed: **Feb. 21, 2014**
- (51) **LOC (10) Cl.** **23-04**
- (52) **U.S. Cl.**
USPC **D23/386; D23/365**
- (58) **Field of Classification Search**
USPC D23/365, 209, 363, 358, 386, 354, 341,
D23/364, 388, 387; 55/385.3, 502, 497,
55/506, 505, 521, 495, 422, 493, DIG. 30;
210/435, 130, 136, 248, 339, 448, 452,
210/497.1; D15/5
CPC A61B 17/07207; A61B 17/29; A61B
2017/07214; A61B 2017/2905; A61B
2017/306
See application file for complete search history.

- 3,524,304 A 8/1970 Wittemeier et al.
- 3,830,042 A 8/1974 MacDonnell
- 3,891,418 A 6/1975 Burger et al.
- 4,072,484 A 2/1978 Carre
- 4,187,091 A 2/1980 Durre et al.
- 4,343,632 A 8/1982 Margraf
- 4,345,924 A 8/1982 Margraf
- 4,395,269 A 7/1983 Schuler
- 4,415,343 A 11/1983 Margraf
- 4,496,377 A 1/1985 Margraf
- 4,504,293 A 3/1985 Gillingham et al.
- D283,621 S 4/1986 Gauer et al.
- 4,661,131 A 4/1987 Howeth
- 4,746,339 A 5/1988 Millard
- 4,968,424 A 11/1990 Plaisier

(Continued)

Primary Examiner — David Muller
Assistant Examiner — Nathan Johnston
(74) *Attorney, Agent, or Firm* — Mueting, Raasch &
Gebhardt, P.A.

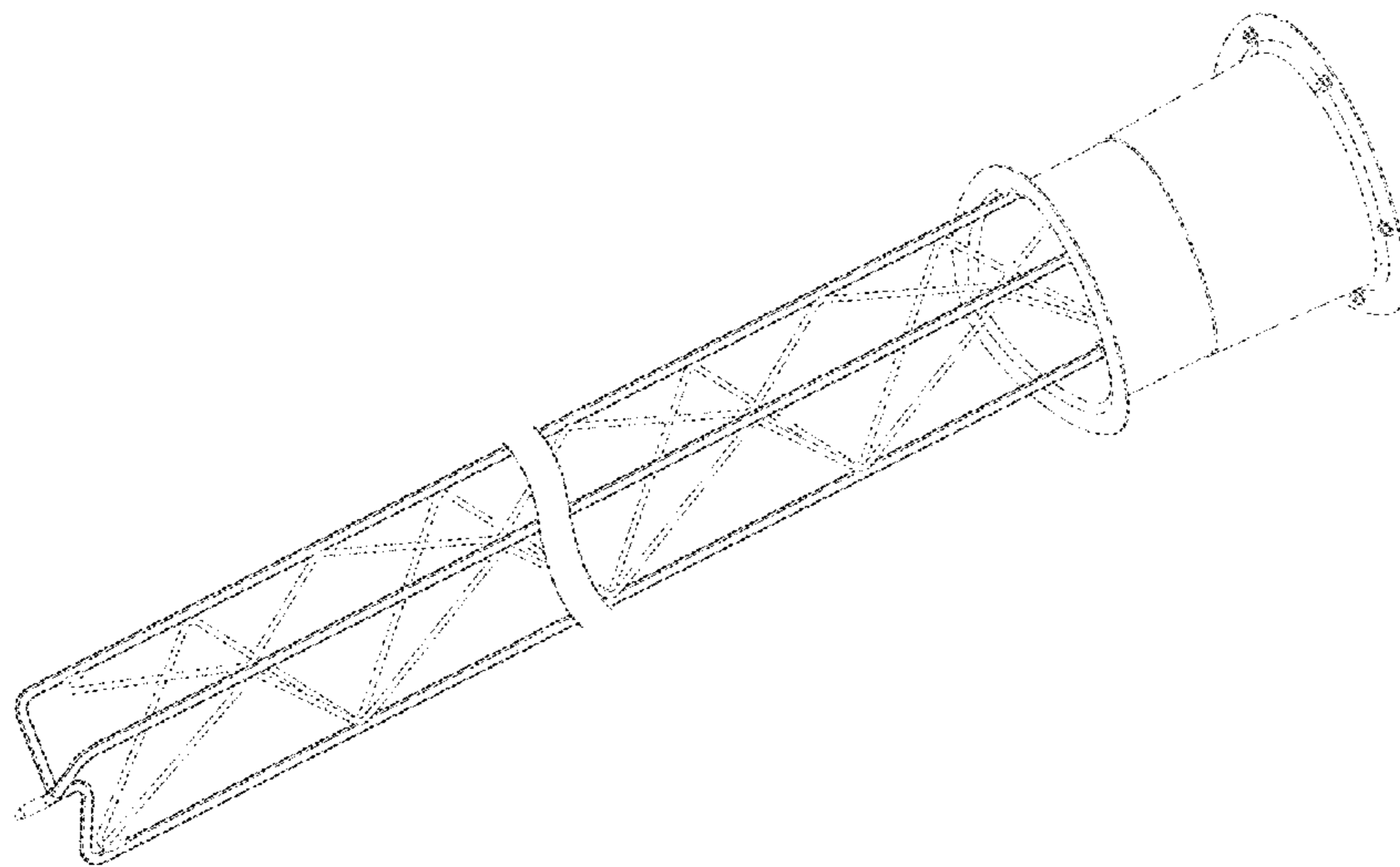
(57) **CLAIM**
The ornamental design for a filter cartridge yoke, as shown
and described.

DESCRIPTION

FIG. 1 is a perspective view of a filter cartridge yoke;
FIG. 2 is a left side elevation view thereof;
FIG. 3 is a right side elevation view thereof;
FIG. 4 is a front end elevation view thereof;
FIG. 5 is a rear end elevation view thereof;
FIG. 6 is a top plan view thereof; and,
FIG. 7 is a bottom plan view thereof.
The broken lines are shown for environmental purposes only
and form no part of the claimed design.
The dot dash lines are included for the purpose of illustrating
a portion of the article that does not form a part of the
claimed design.
The filter cartridge yoke is depicted with a symbolic break
in its length. The appearance of any portion of the article
between the break lines forms no part of the claimed design.

1 Claim, 5 Drawing Sheets

- (56) **References Cited**
U.S. PATENT DOCUMENTS
1,585,246 A * 5/1926 Ole B01D 29/23
210/437
2,072,906 A 3/1937 Rosenberger
2,952,332 A 9/1960 Metro
3,016,984 A * 1/1962 Getzin B01D 46/06
210/232
3,131,044 A 4/1964 Springer
3,327,458 A 6/1967 Auckland
3,421,295 A 1/1969 Swift et al.
3,475,884 A 11/1969 Kulzer



(56)

References Cited

U.S. PATENT DOCUMENTS

5,062,867 A	11/1991	Klimczak		6,488,845 B1 *	12/2002	Neufeld	B01D 29/21 210/232
5,074,896 A	12/1991	Baert et al.		D471,623 S	3/2003	Gieseke et al.	
5,173,098 A	12/1992	Pipkorn		D499,177 S	11/2004	Kosmider et al.	
5,211,846 A *	5/1993	Kott	B01D 29/21 210/232	7,413,588 B2 *	8/2008	Holzmann	B01D 46/0005 210/282
5,238,474 A	8/1993	Kahlbaugh et al.		7,458,468 B2 *	12/2008	Desmarais	B01D 27/06 210/435
5,562,746 A	10/1996	Raether		D586,454 S *	2/2009	Nishio	D23/393
5,730,766 A	3/1998	Clements		8,317,890 B2	11/2012	Raether et al.	
D417,268 S	11/1999	Gillingham		D685,874 S *	7/2013	Andrews, Jr.	D22/108
D421,649 S	3/2000	Cappuyens		2002/0108896 A1 *	8/2002	Malkin	B01D 29/15 210/232
D436,159 S *	1/2001	Gutmann	D23/364	2007/0235374 A1 *	10/2007	Wright	B01D 27/103 210/130
D438,214 S	2/2001	Gieseke et al.		2014/0144112 A1 *	5/2014	Campbell	B01D 46/2411 55/482
6,364,921 B1	4/2002	Raether et al.		2015/0001002 A1 *	1/2015	Wirth	F41A 21/30 181/223
6,368,388 B1	4/2002	Kosmider et al.					
6,387,162 B1	5/2002	Kosmider et al.					
6,485,544 B1	11/2002	Ziske					

* cited by examiner

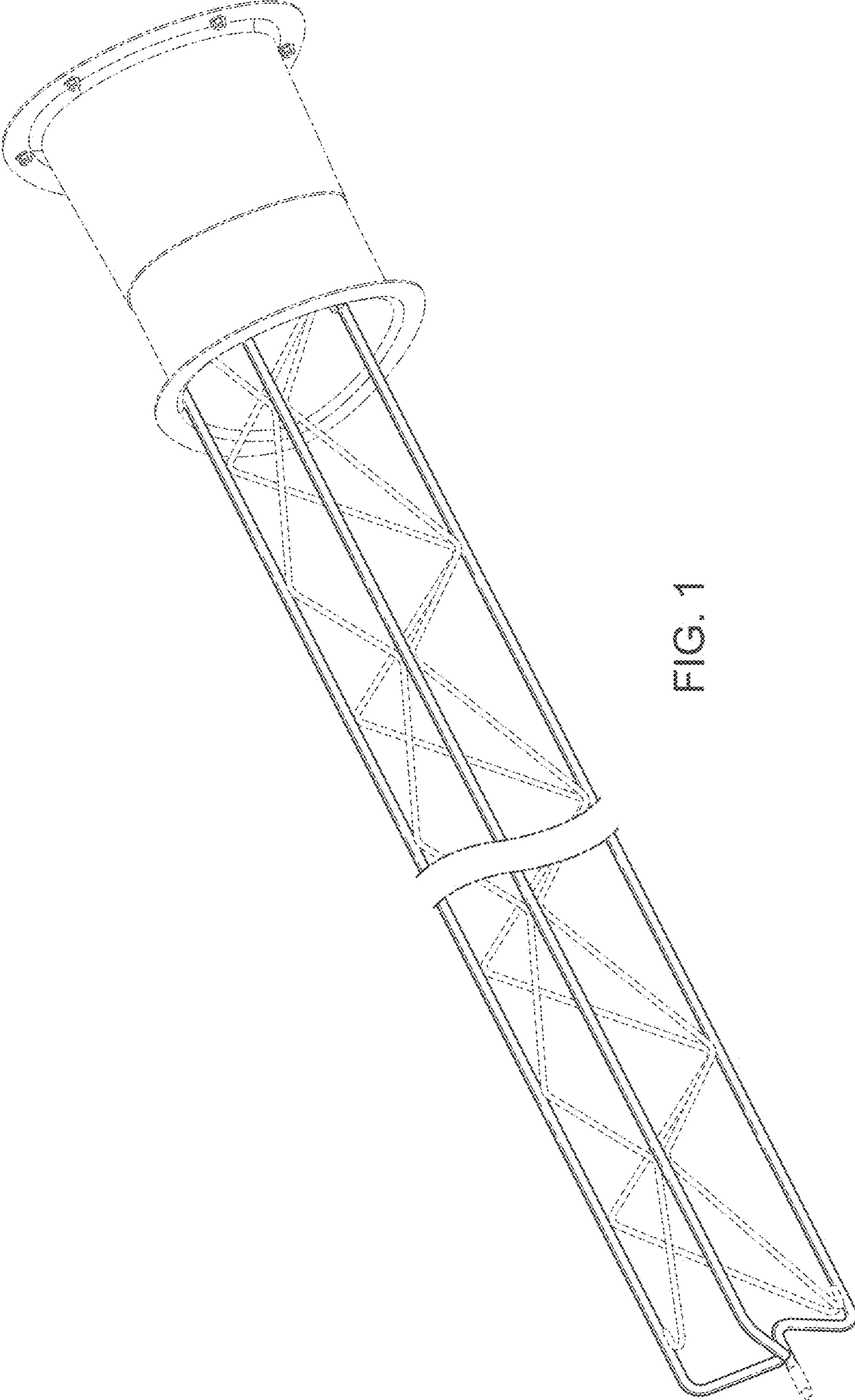


FIG. 1

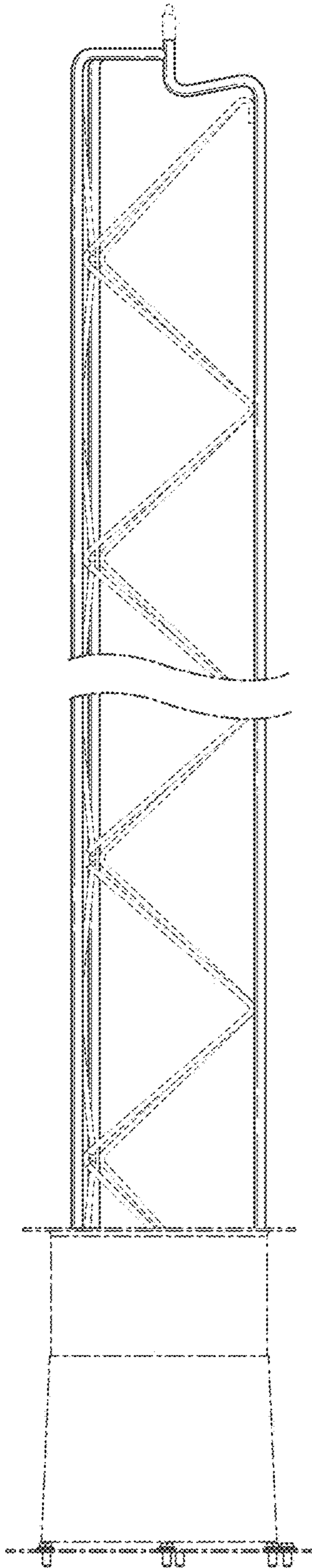


FIG. 2

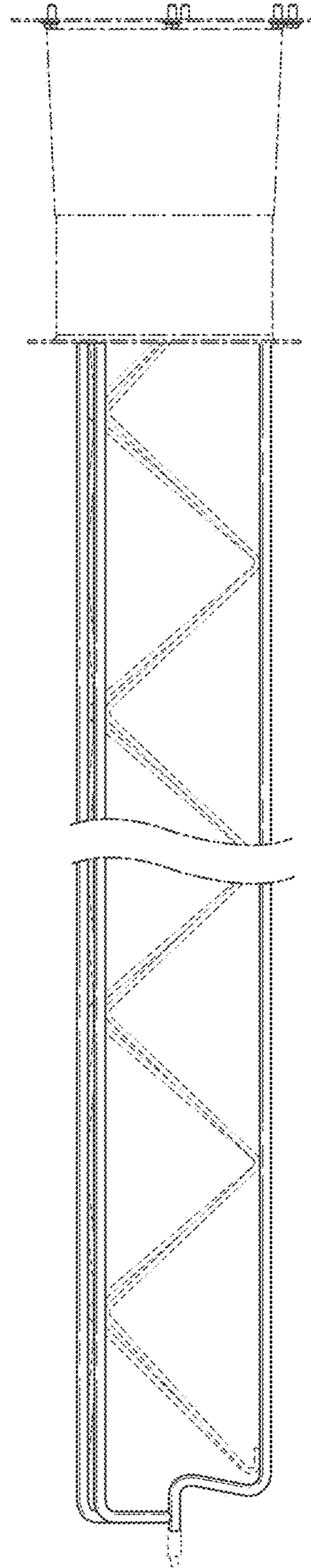


FIG. 3

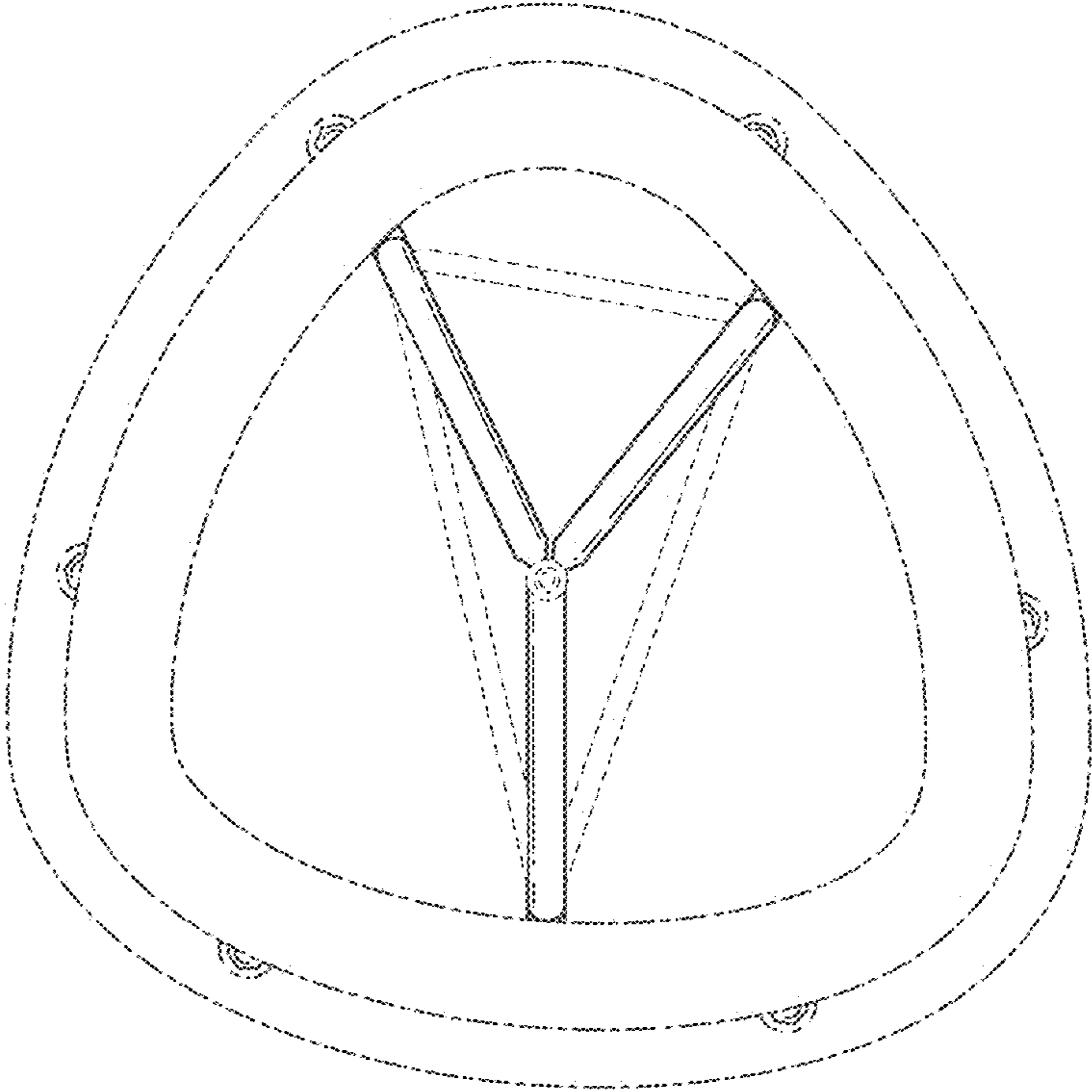


FIG. 4

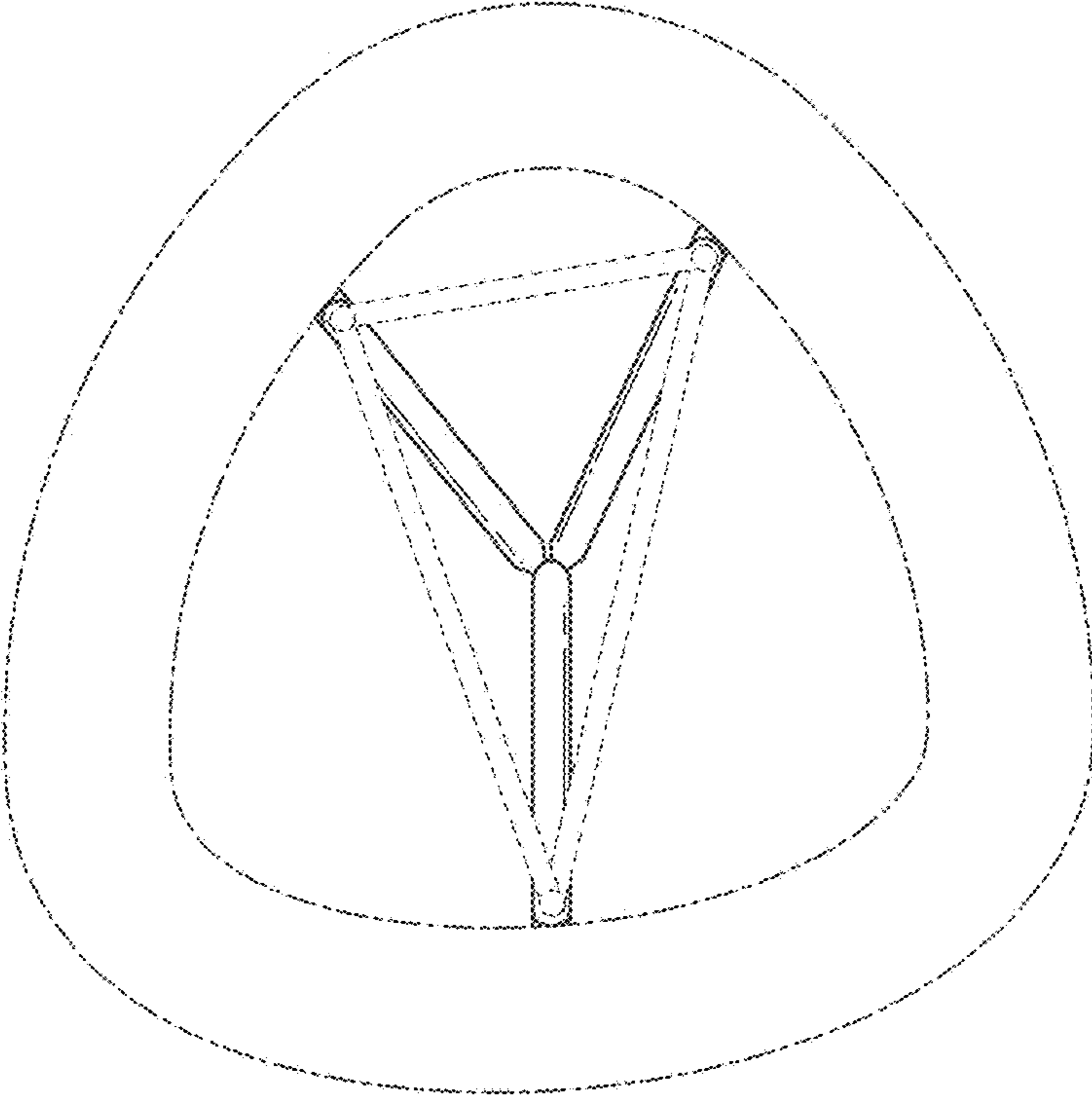


FIG. 5

