



US00D773634S

(12) **United States Design Patent** (10) **Patent No.:** **US D773,634 S**  
**Wang** (45) **Date of Patent:** **\*\* Dec. 6, 2016**

(54) **COMBINED CEILING FAN HOUSING AND LIGHT KIT**

(71) Applicant: **YOUNGO LIMITED**, Hong Kong (CN)

(72) Inventor: **Cliff Wang**, Taichung (TW)

(73) Assignee: **YOUNGO LIMITED**, Central (HK)

(\*\*) Term: **15 Years**

(21) Appl. No.: **29/536,473**

(22) Filed: **Aug. 17, 2015**

(51) **LOC (10) Cl.** ..... **23-04**

(52) **U.S. Cl.**  
USPC ..... **D23/385**

(58) **Field of Classification Search**  
USPC ..... D23/370, 355, 314, 414, 371, 377, 385;  
415/121.1; D14/432  
CPC .... F04D 29/329; F04D 29/526; F04D 25/082;  
F04D 29/325; F04D 29/703; F04D 29/547  
See application file for complete search history.

(56) **References Cited**

**U.S. PATENT DOCUMENTS**

4,494,055 A \* 1/1985 Bitting ..... H02P 6/30  
318/400.09  
D503,489 S \* 3/2005 Yurich ..... D26/85

D596,734 S \* 7/2009 Kihara ..... D23/377  
D744,082 S \* 11/2015 Wang ..... D23/411  
D751,187 S \* 3/2016 Dolan ..... D23/377  
D752,727 S \* 3/2016 Tracey ..... D23/360  
D760,369 S \* 6/2016 Ertze ..... D23/385  
2011/0274561 A1\* 11/2011 Kobayashi ..... F04D 25/088  
417/14

\* cited by examiner

*Primary Examiner* — Cynthia Underwood

(74) *Attorney, Agent, or Firm* — Muncy, Geissler, Olds & Lowe, P.C.

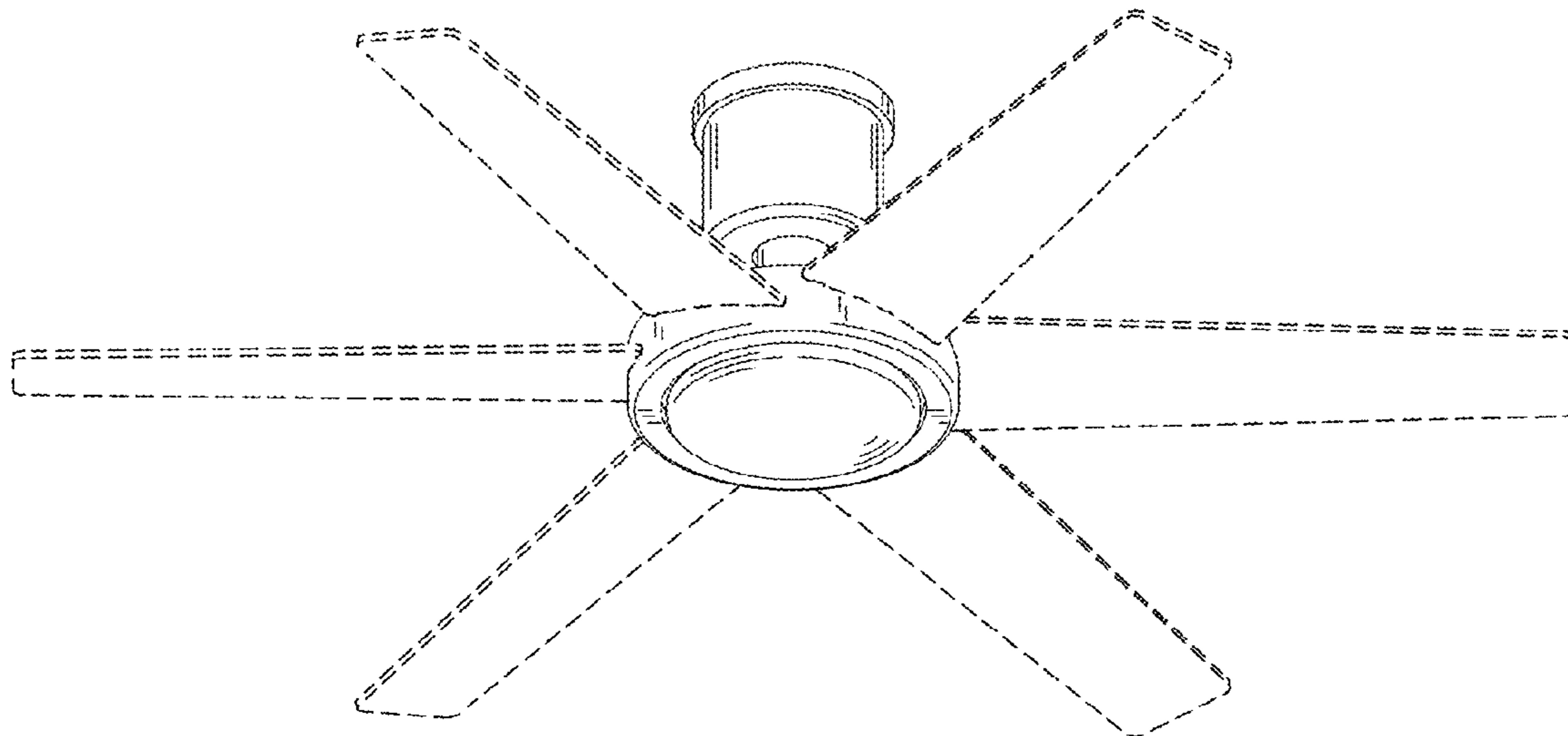
(57) **CLAIM**

The ornamental design for a combined ceiling fan housing and light kit, as shown and described.

**DESCRIPTION**

FIG. 1 is a perspective view of the present design; FIG. 2 is a front view of the present design; FIG. 3 is a rear view of the present design; FIG. 4 is a left side view of the present design; FIG. 5 is a right side view of the present design; FIG. 6 is a top view of the present design; and, FIG. 7 is a bottom view of the present design. The broken lines represent portions of the structure that forms no part of the claim.

**1 Claim, 7 Drawing Sheets**



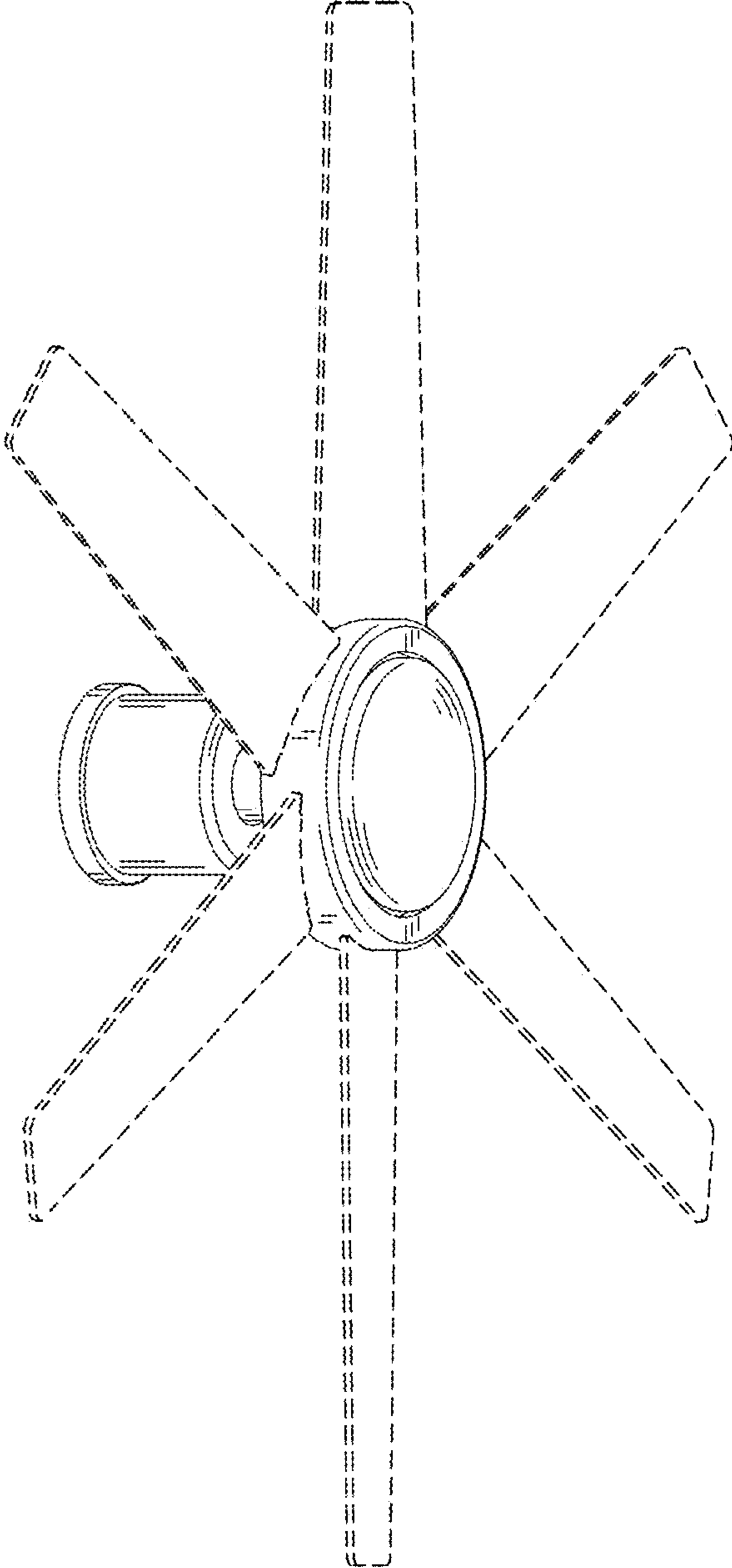


FIG. 1

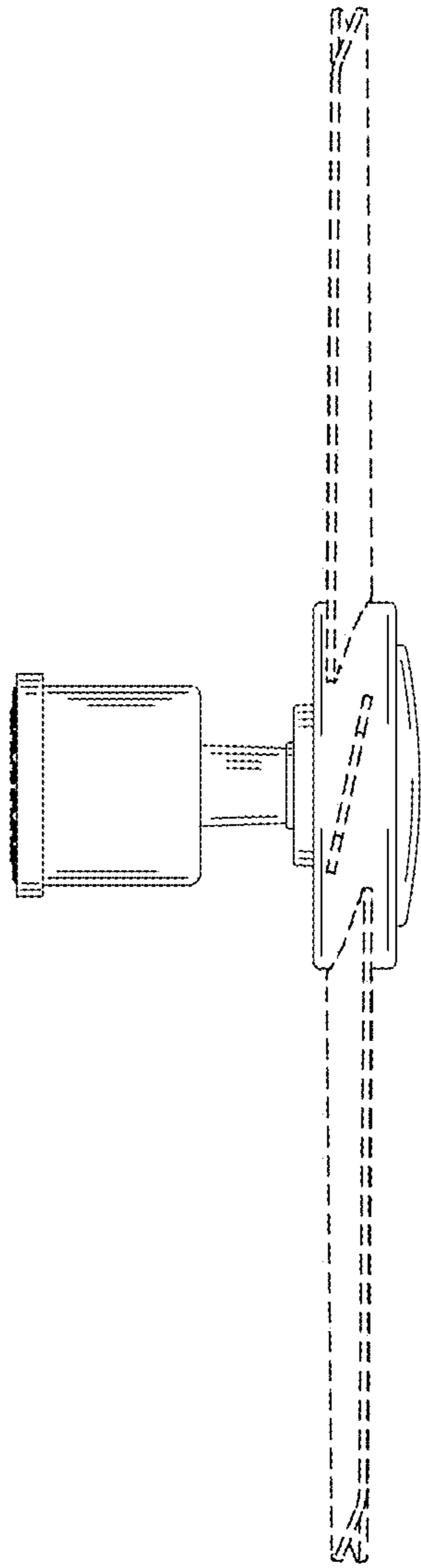


FIG. 2

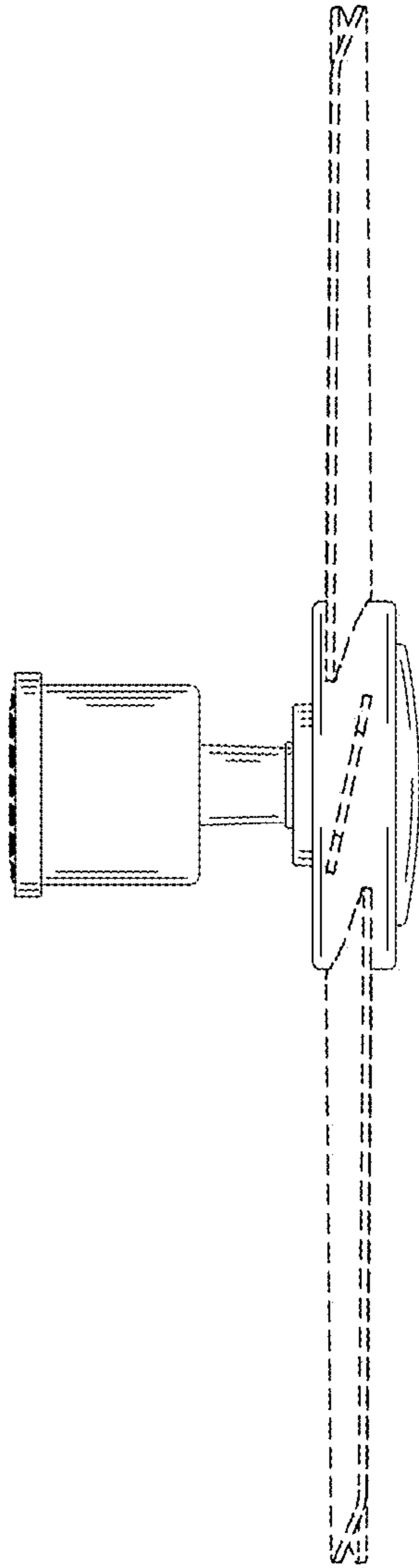


FIG. 3

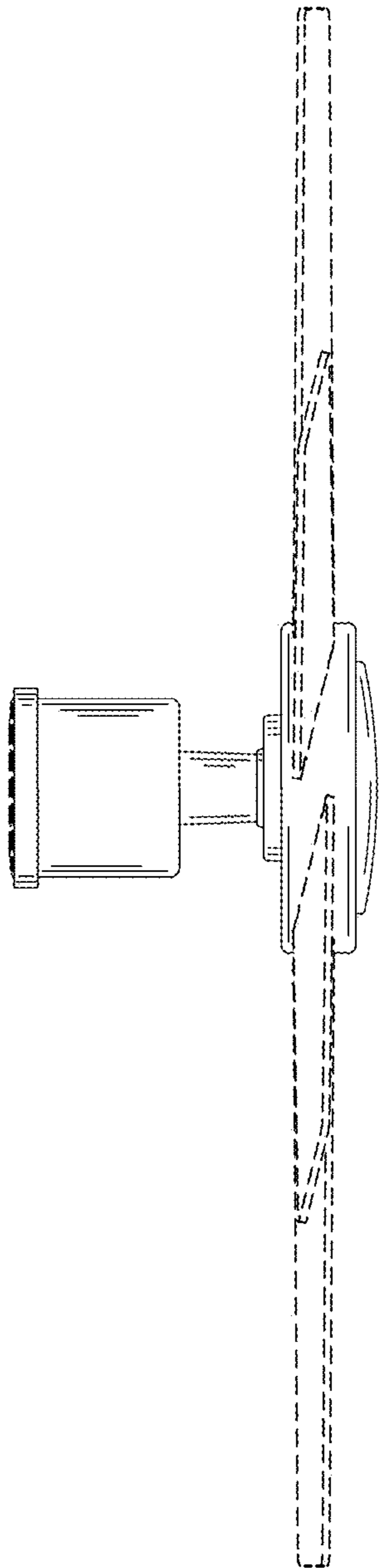


FIG. 4

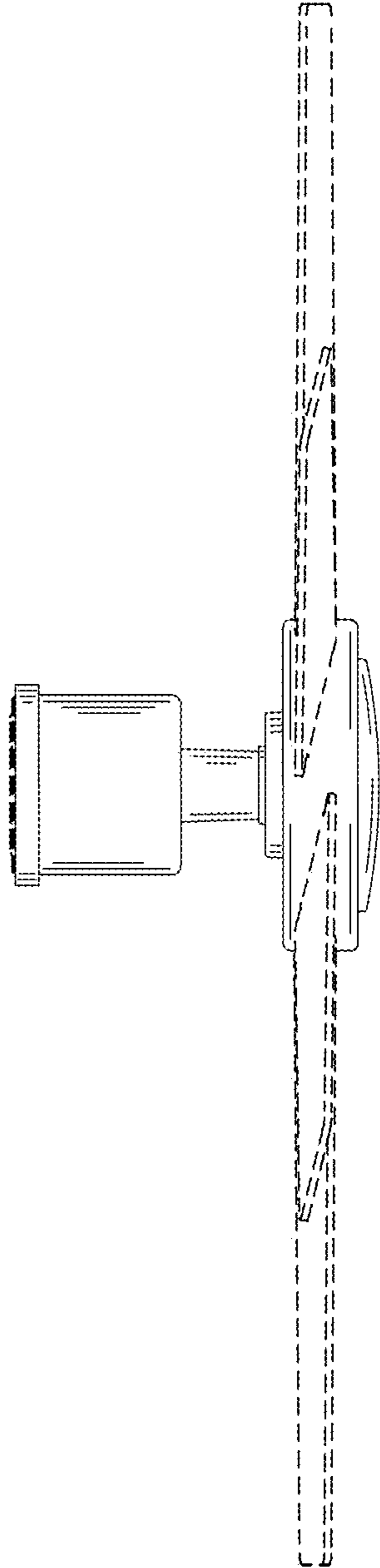


FIG. 5

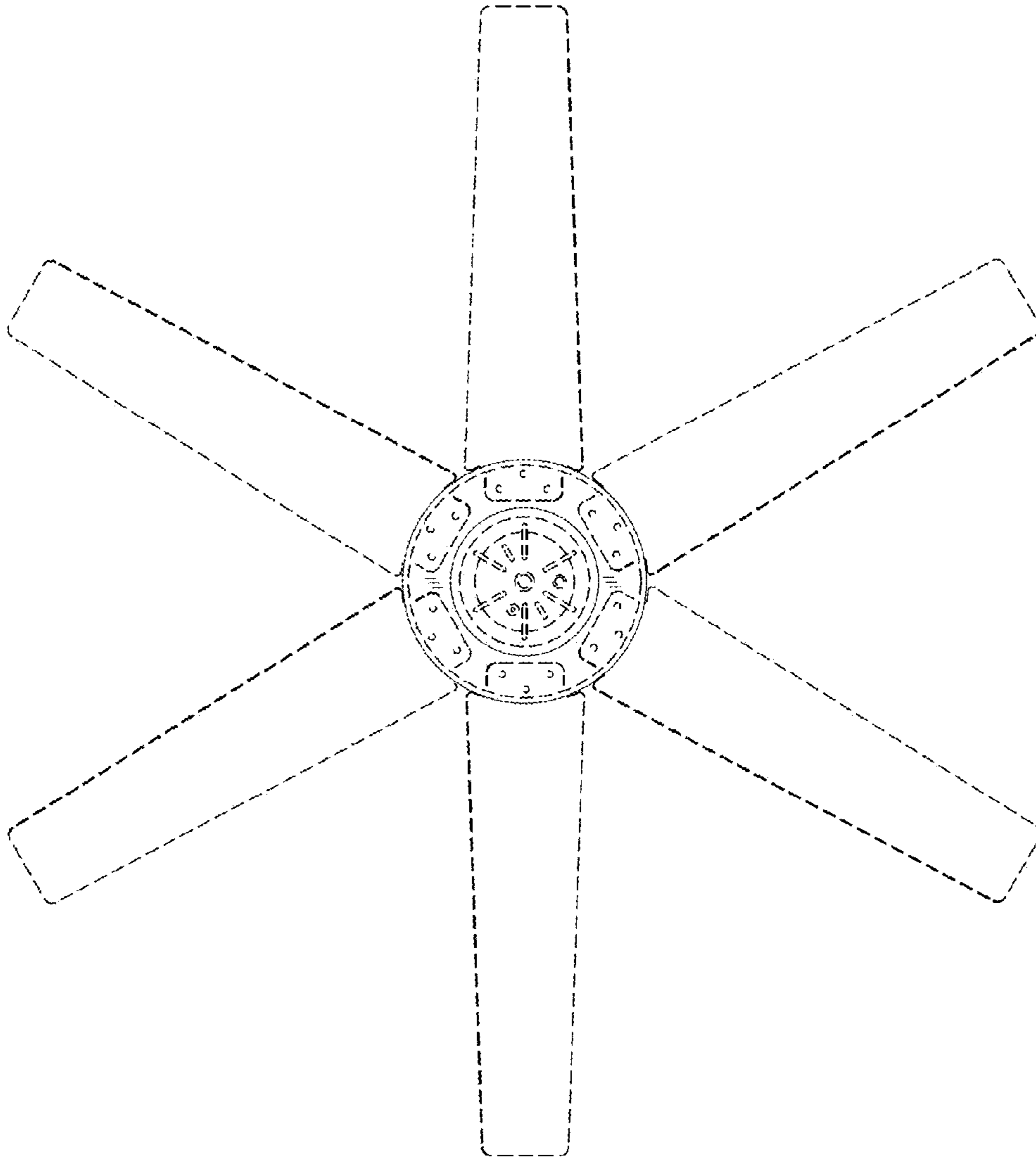


FIG. 6

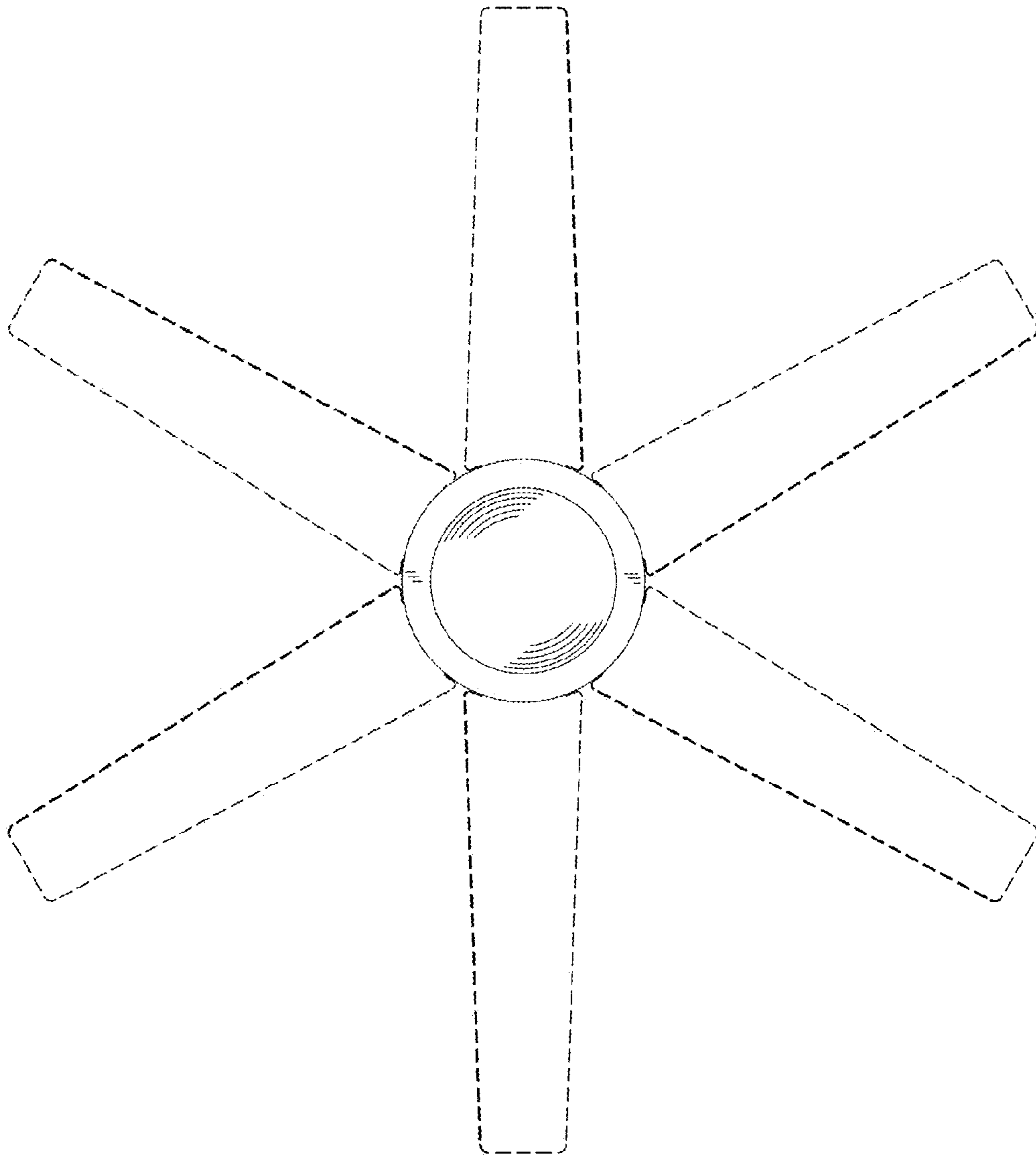


FIG. 7