



US00D773633S

(12) **United States Design Patent**  
**Wang**

(10) **Patent No.:** **US D773,633 S**

(45) **Date of Patent:** **\*\* Dec. 6, 2016**

(54) **WALL MOUNTED FAN**

(71) Applicant: **YOUNGO LIMITED**, Central (HK)

(72) Inventor: **Cliff Wang**, Taichung (TW)

(73) Assignee: **YOUNGO LIMITED**, Hong Kong (HK)

(\*\*) Term: **15 Years**

(21) Appl. No.: **29/528,718**

(22) Filed: **May 31, 2015**

(51) **LOC (10) Cl.** ..... **23-04**

(52) **U.S. Cl.**  
USPC ..... **D23/385**

(58) **Field of Classification Search**  
USPC ..... D23/370-387, 411-414, 365, 355, 342,  
D23/332, 328, 337, 335, 314, 393; 415/60,  
415/66, 68, 208.1, 213.1, 214.1, 209.3;  
310/257; 361/695; 126/299 D, 299 R;  
D26/59, 89; 416/210 R  
CPC ..... F01D 9/042; F04D 25/08; F04D 29/70;  
F04D 29/34; F04D 19/00; F24F 7/007;  
F24F 13/082; F24F 7/065; F24F 13/078  
See application file for complete search history.

(56) **References Cited**

**U.S. PATENT DOCUMENTS**

5,411,372 A \* 5/1995 Clark ..... F04D 25/105  
416/108  
D487,146 S \* 2/2004 Thomas, Jr. .... D23/382

D489,809 S \* 5/2004 Gajewski ..... D23/411  
D523,550 S \* 6/2006 Hidalgo ..... D23/411  
D594,965 S \* 6/2009 Bucher ..... D23/411  
D614,759 S \* 4/2010 Shurtleff ..... D23/411  
D706,920 S \* 6/2014 Cohen ..... D23/411

\* cited by examiner

*Primary Examiner* — Susan Bennett Hattan

*Assistant Examiner* — Janice Hallmark

(74) *Attorney, Agent, or Firm* — Bruce Stone LLP;  
Joseph A. Bruce

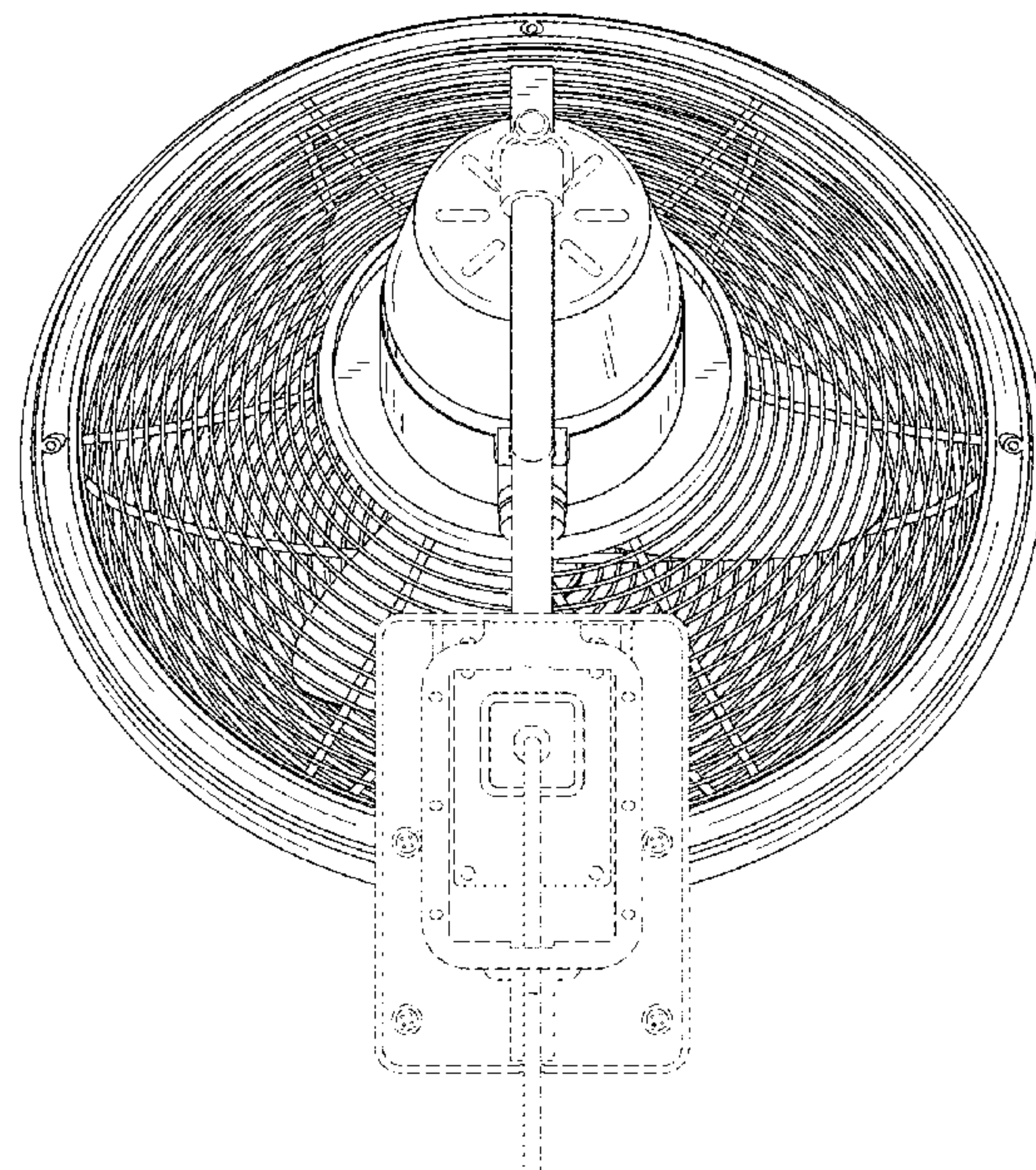
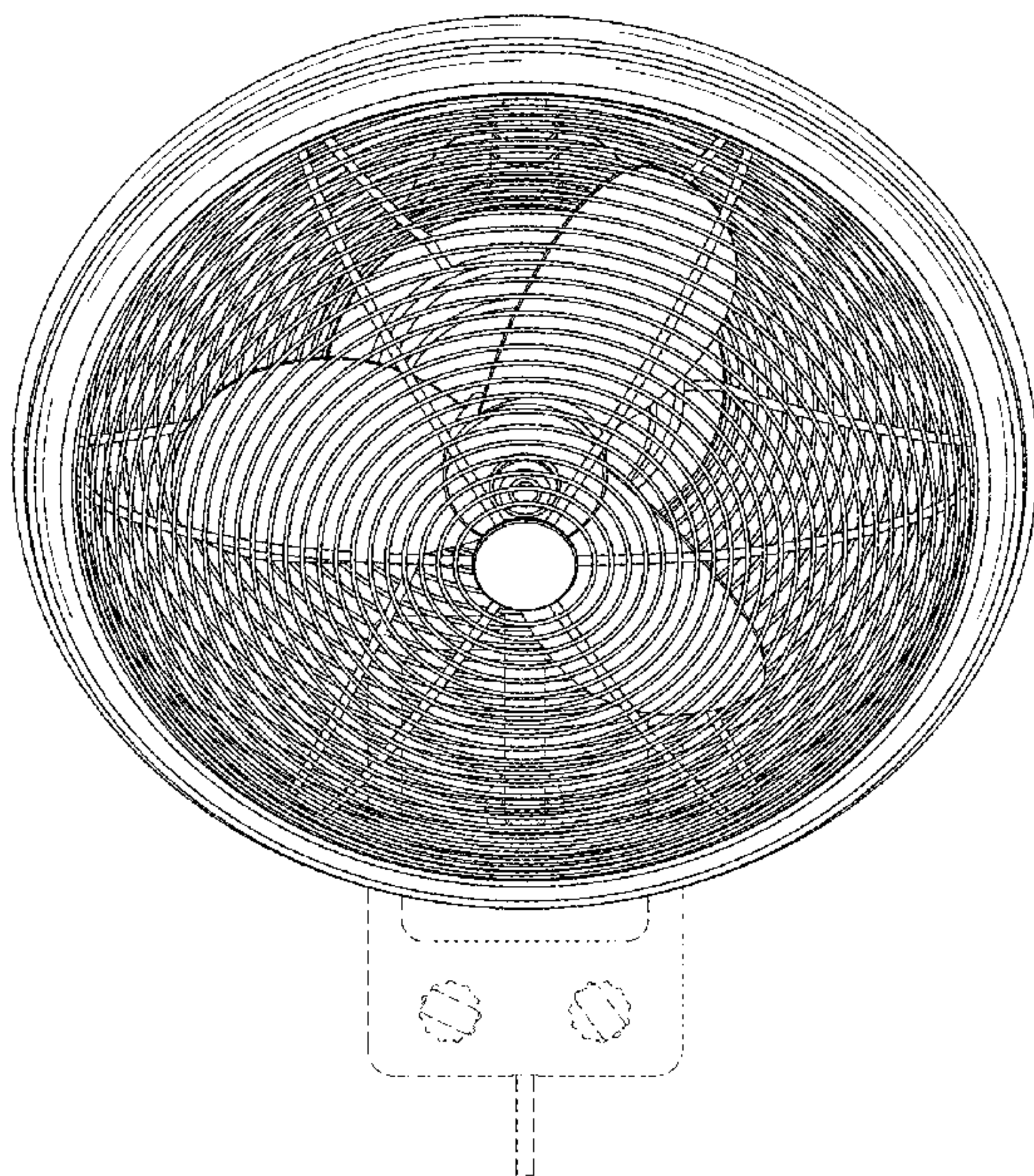
(57) **CLAIM**

The ornamental design for a wall mounted fan, as shown and described.

**DESCRIPTION**

FIG. 1 is a perspective view of the present design;  
FIG. 2 is a front view of the present design;  
FIG. 3 is a rear view of the present design;  
FIG. 4 is a left side view of the present design;  
FIG. 5 is a right side view of the present design;  
FIG. 6 is a top view of the present design;  
FIG. 7 is a bottom view of the present design; and,  
FIG. 8 is another perspective view of the present design.  
The broken lines showing structural features of the wall mounted fan are for illustrative purposes only and form no part of the claimed design.

**1 Claim, 8 Drawing Sheets**





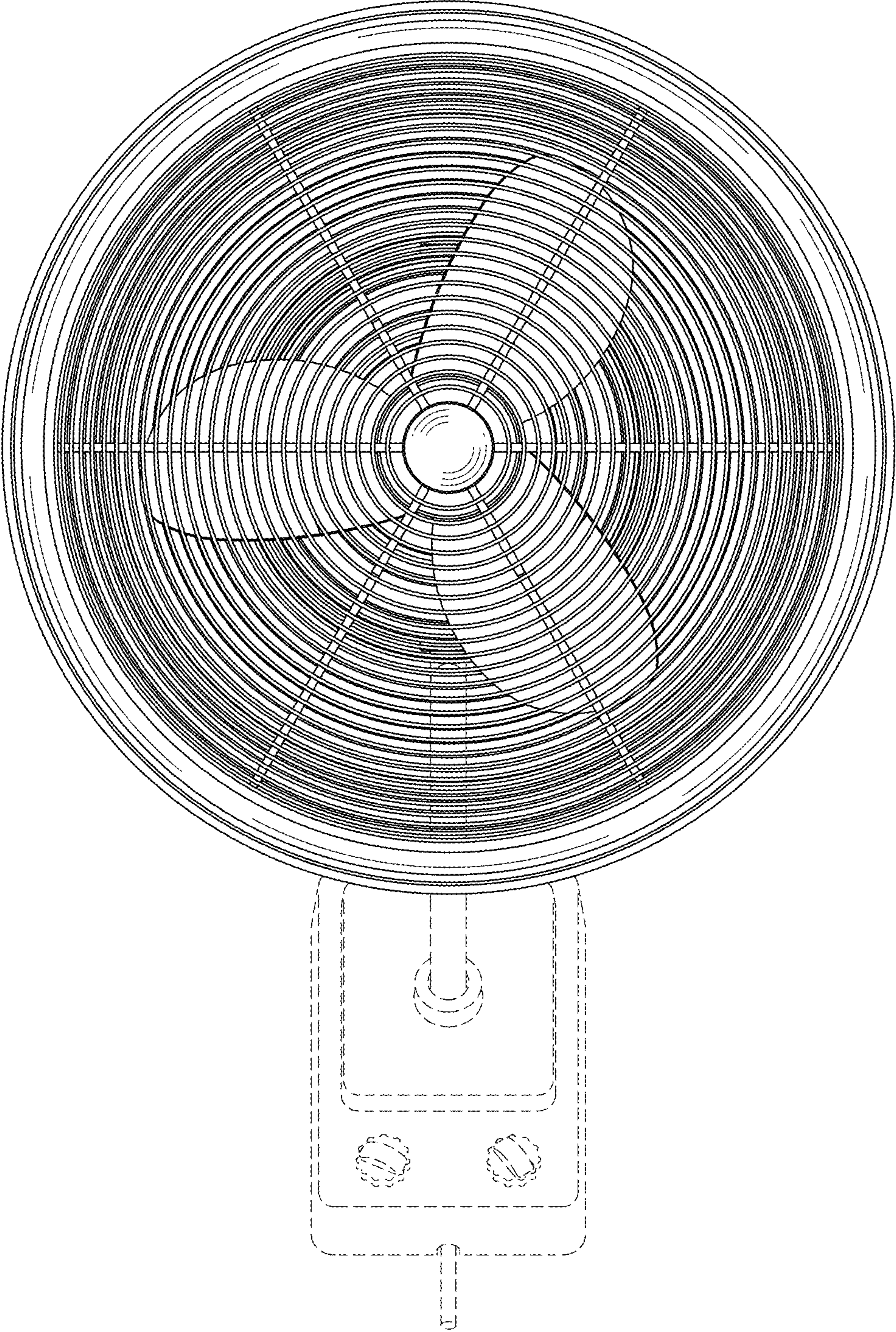


FIG. 1



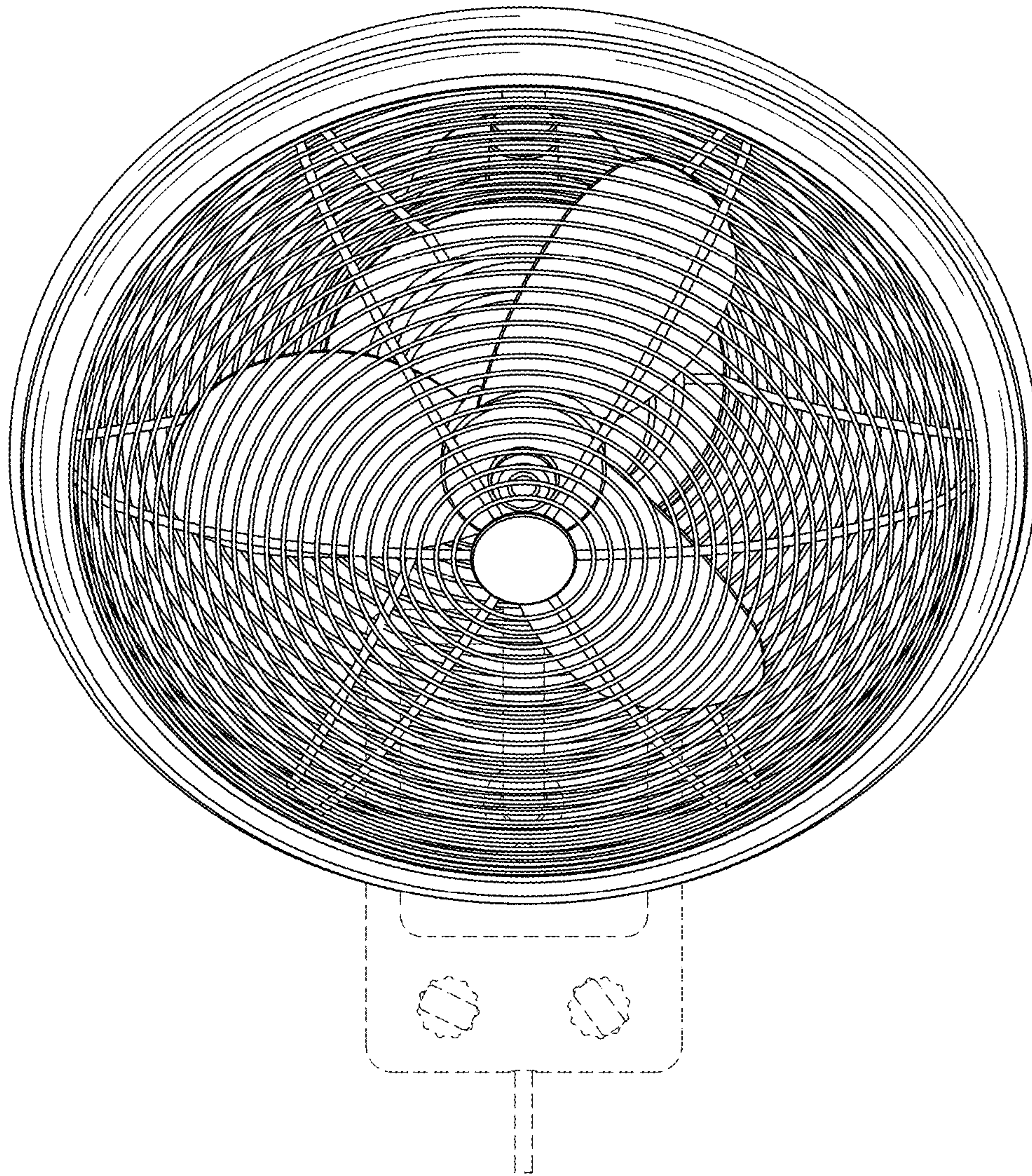


FIG. 2



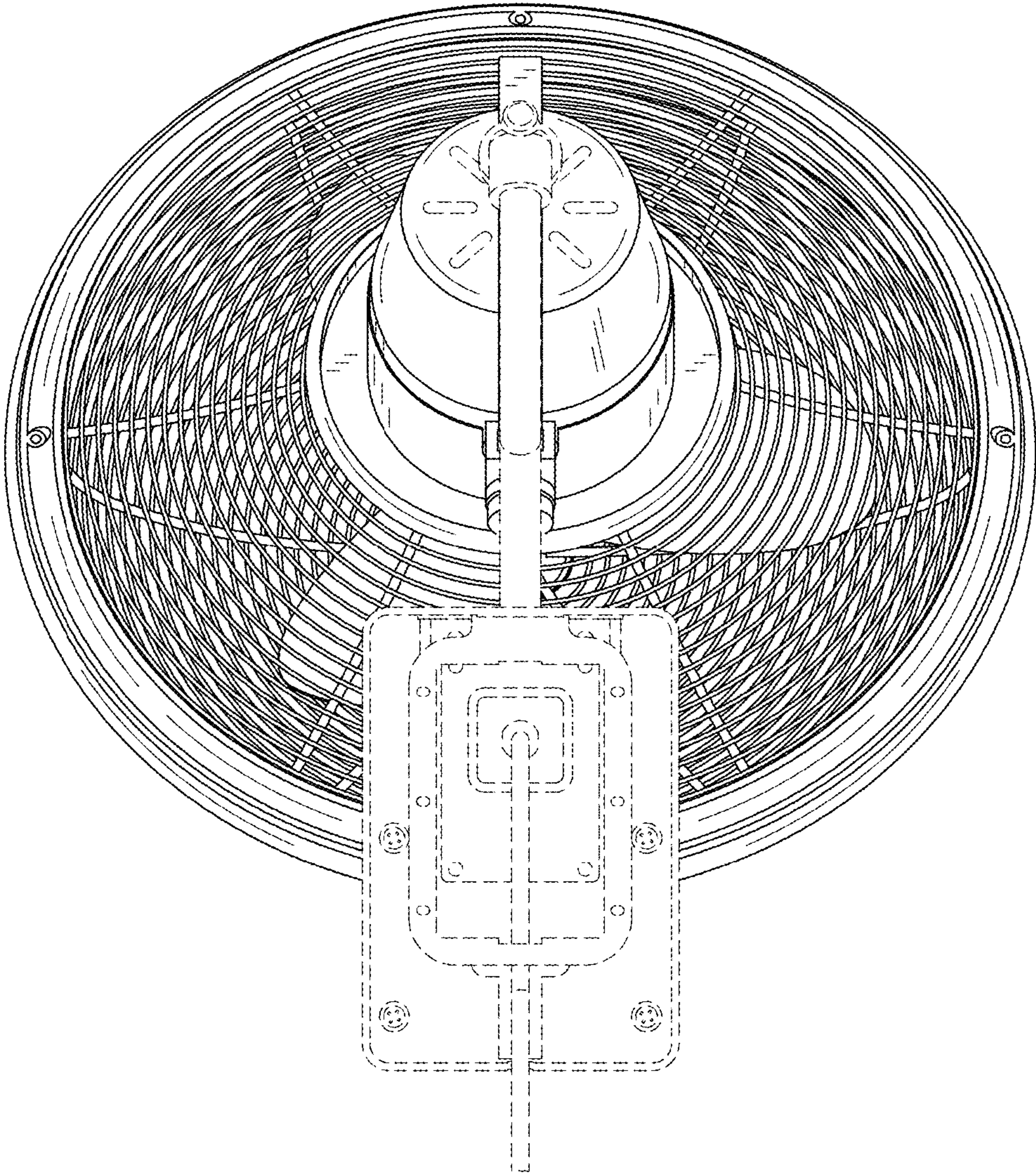


FIG. 3

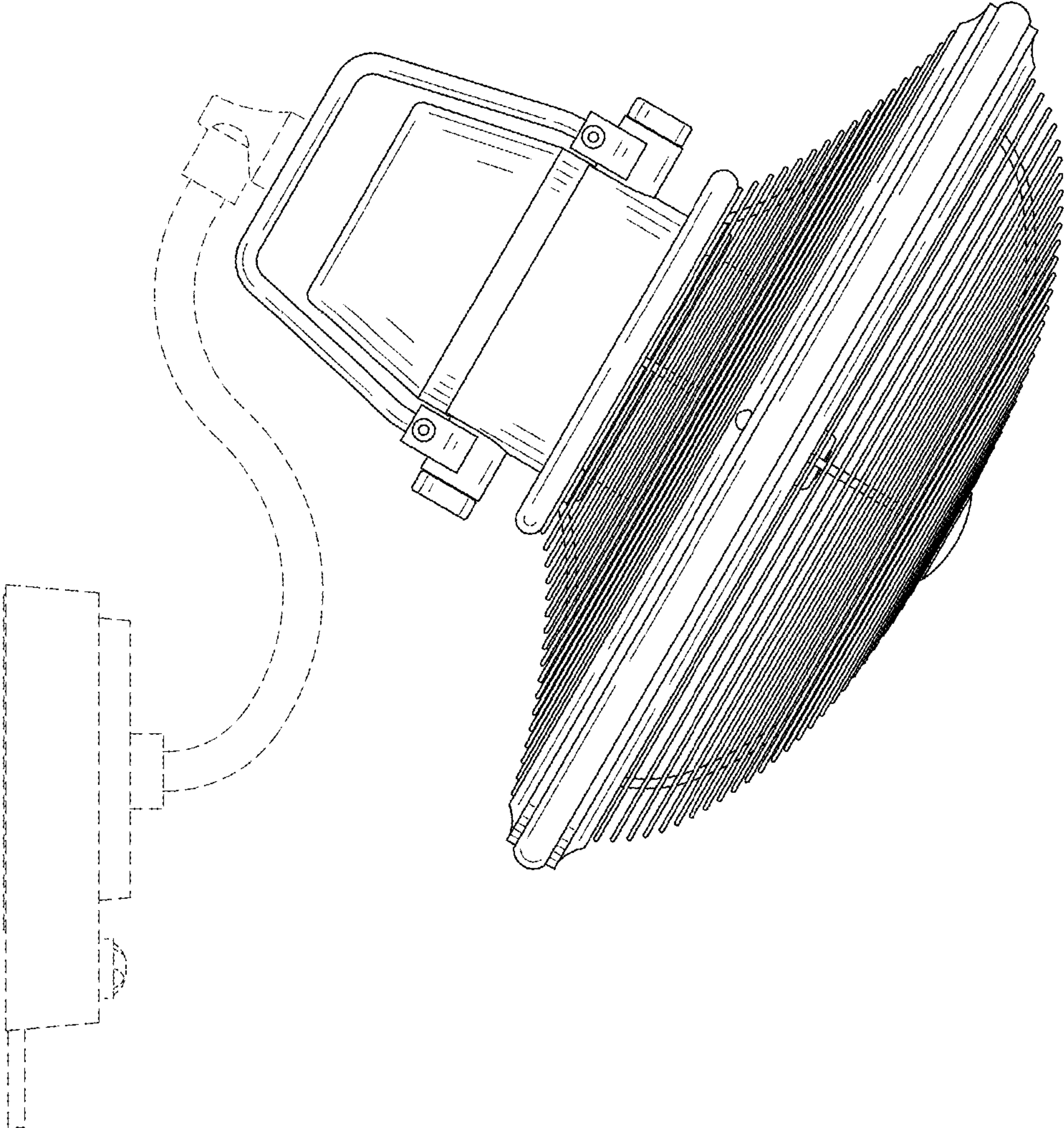


FIG. 4



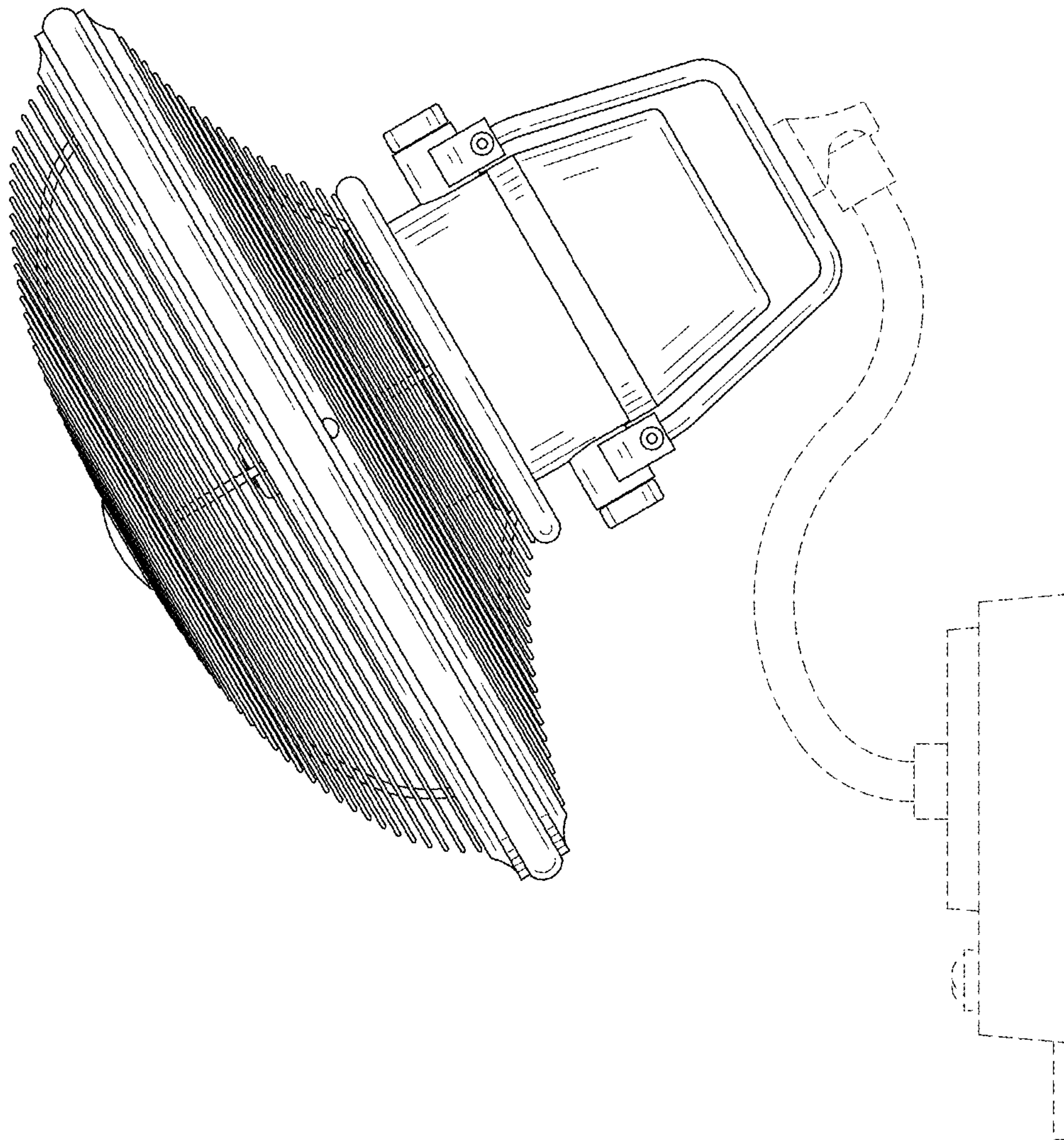


FIG. 5

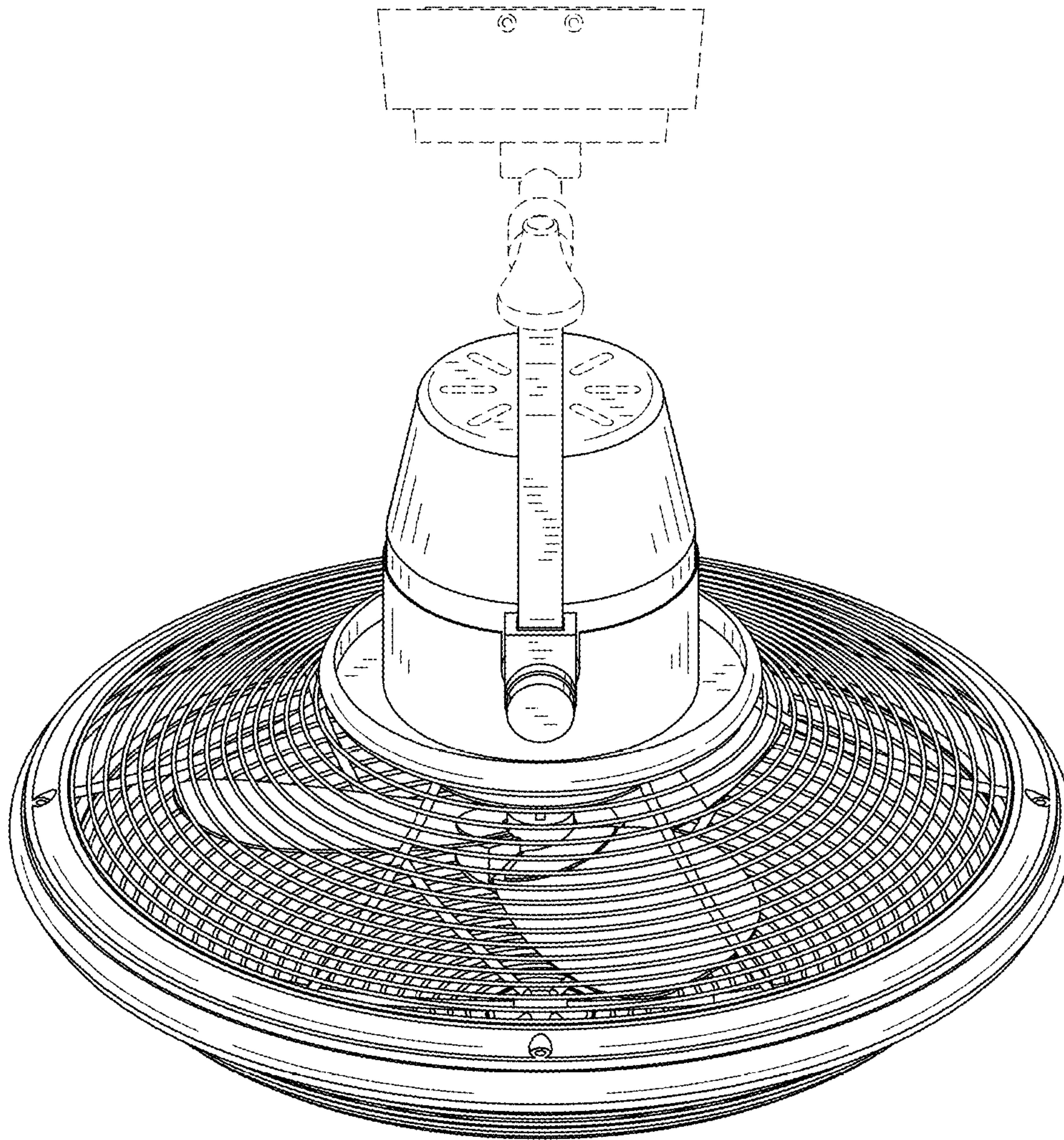


FIG. 6



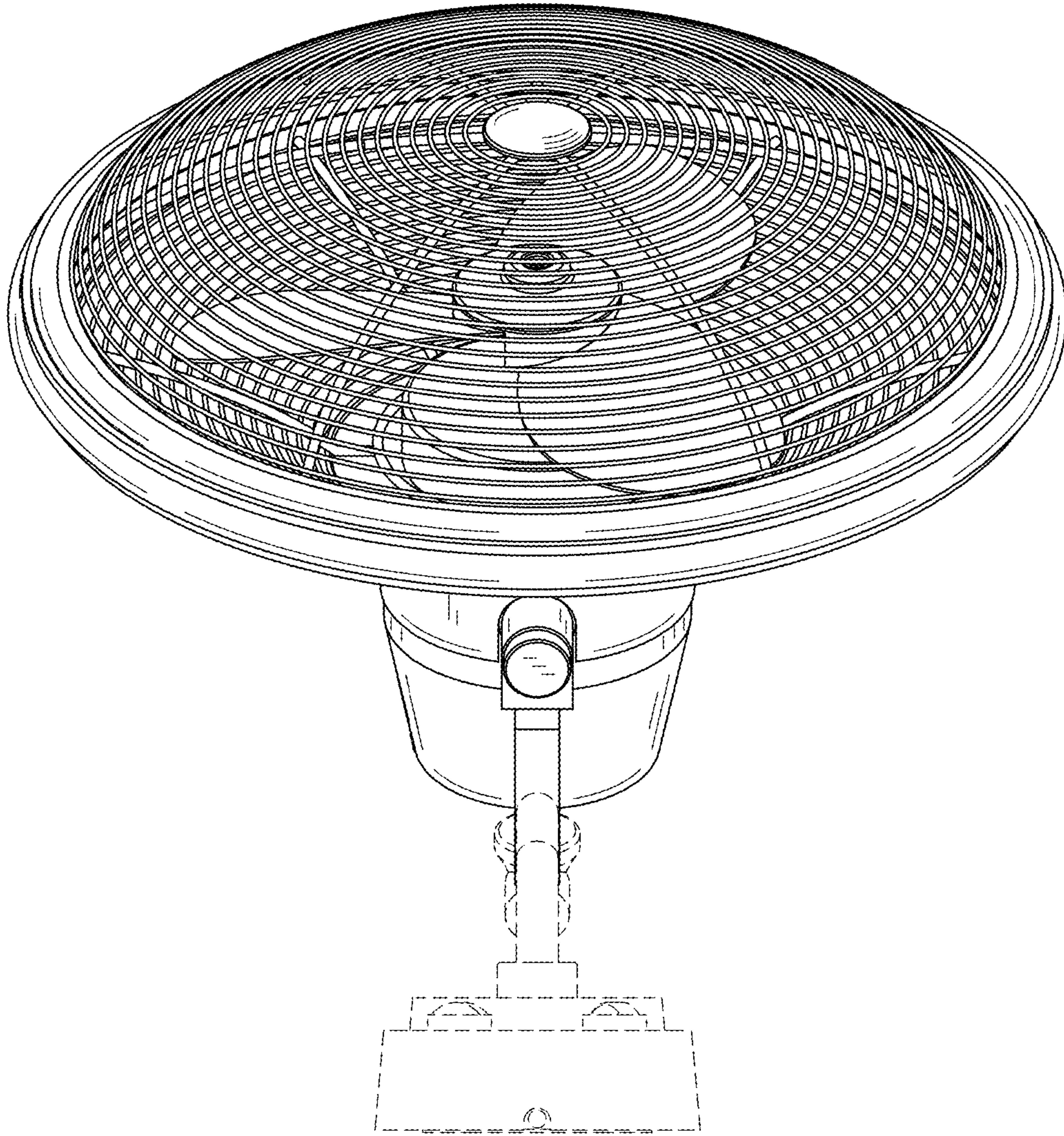


FIG. 7





FIG. 8