



US00D773631S

(12) **United States Design Patent**  
**Breit et al.**

(10) **Patent No.:** **US D773,631 S**  
(45) **Date of Patent:** **\*\* Dec. 6, 2016**

(54) **REAR TRIGGER WATER MISTING FAN**

(71) Applicant: **O2Cool, LLC**, Chicago, IL (US)

(72) Inventors: **Oliver Breit**, Midvale Village (HK);  
**Jason Yap**, Melbourne (AU)

(73) Assignee: **O2COOL, LLC**, Chicago, IL (US)

(\*\*) Term: **15 Years**

(21) Appl. No.: **29/528,409**

(22) Filed: **May 28, 2015**

(51) **LOC (10) Cl.** ..... **23-04**

(52) **U.S. Cl.**  
USPC ..... **D23/379**

(58) **Field of Classification Search**  
USPC ..... D23/328, 370, 379; D9/685  
CPC ..... B05B 3/022; B05B 3/02  
See application file for complete search history.

(56) **References Cited**

**U.S. PATENT DOCUMENTS**

D529,166 S *	9/2006	Geringer	.....	D23/379
D544,078 S *	6/2007	Geringer	.....	261/28
D553,227 S *	10/2007	Chen	.....	D23/314
D698,428 S *	1/2014	Sands	.....	D23/314
D703,304 S *	4/2014	Herbst	.....	D23/379
D703,308 S *	4/2014	Peterson	.....	D23/379
D733,282 S *	6/2015	Peterson	.....	D23/328
9,339,827 B2 *	5/2016	Chan	.....	B05B 3/022

2008/0237899 A1 *	10/2008	Chen	.....	B05B 11/0037 261/28
2014/0014740 A1 *	1/2014	Sands	.....	B05B 3/022 239/289
2016/0008827 A1 *	1/2016	Chan	.....	B05B 3/022 417/70

\* cited by examiner

*Primary Examiner* — Susan Bennett Hattan

*Assistant Examiner* — Janice Hallmark

(74) *Attorney, Agent, or Firm* — Thompson Coburn LLP

(57) **CLAIM**

We claim the ornamental design for a the rear trigger water misting fan, as shown and described.

**DESCRIPTION**

FIG. 1 is a top perspective view taken from the right front corner of the rear trigger water misting fan showing our new design;

FIG. 2 is a rear bottom perspective view of the rear trigger water misting fan;

FIG. 3 is a front view thereof;

FIG. 4 is a rear view thereof;

FIG. 5 is a left side view thereof;

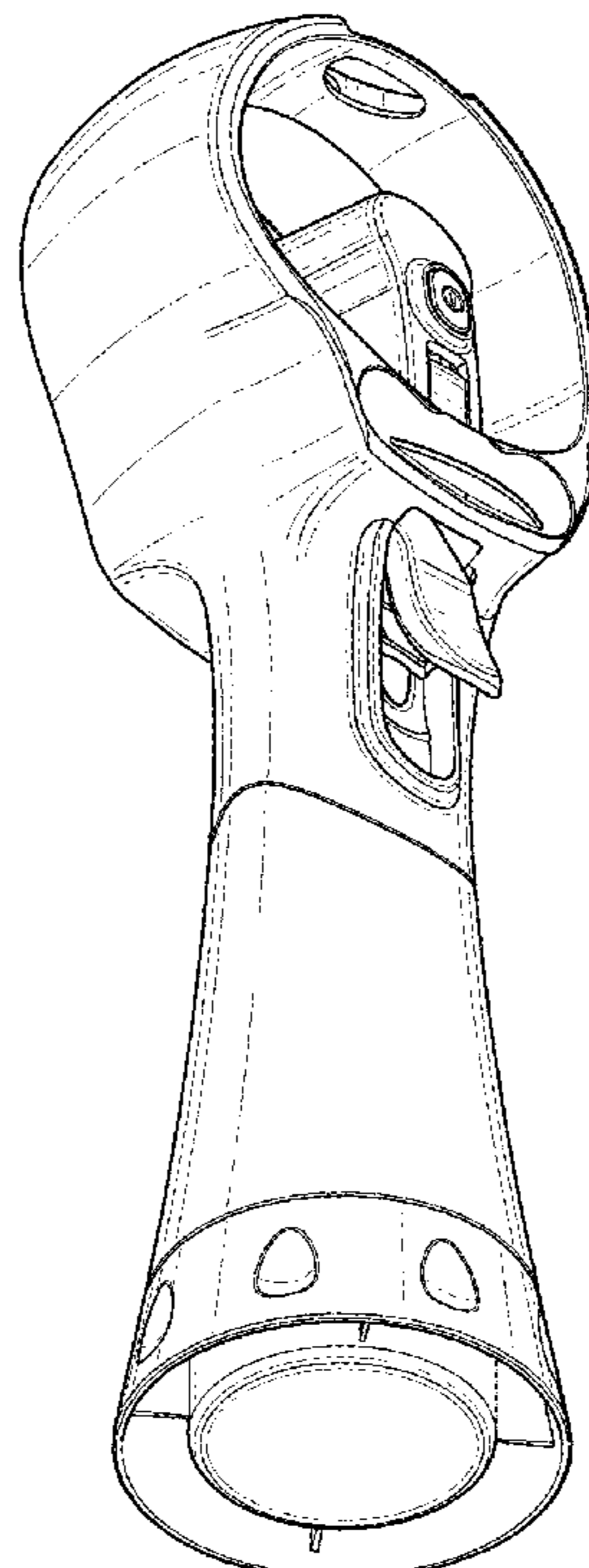
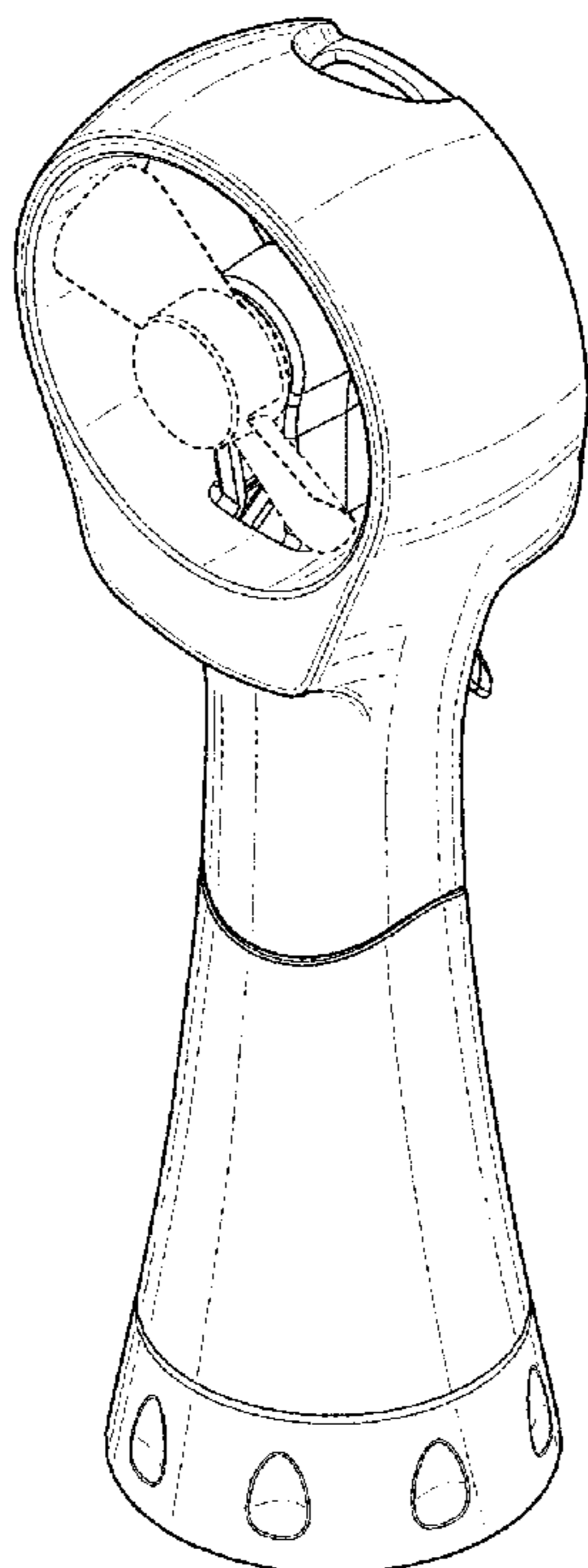
FIG. 6 is a right side view thereof;

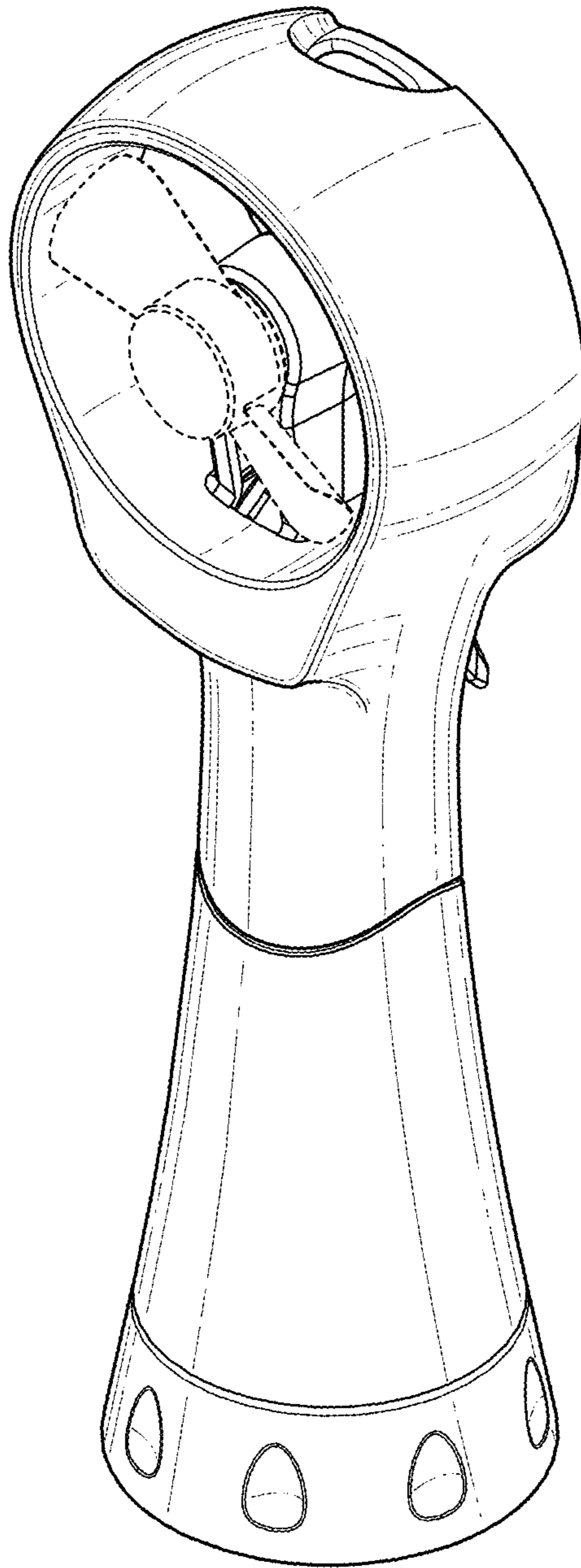
FIG. 7 is a top plan view thereof; and,

FIG. 8 is a bottom view thereof.

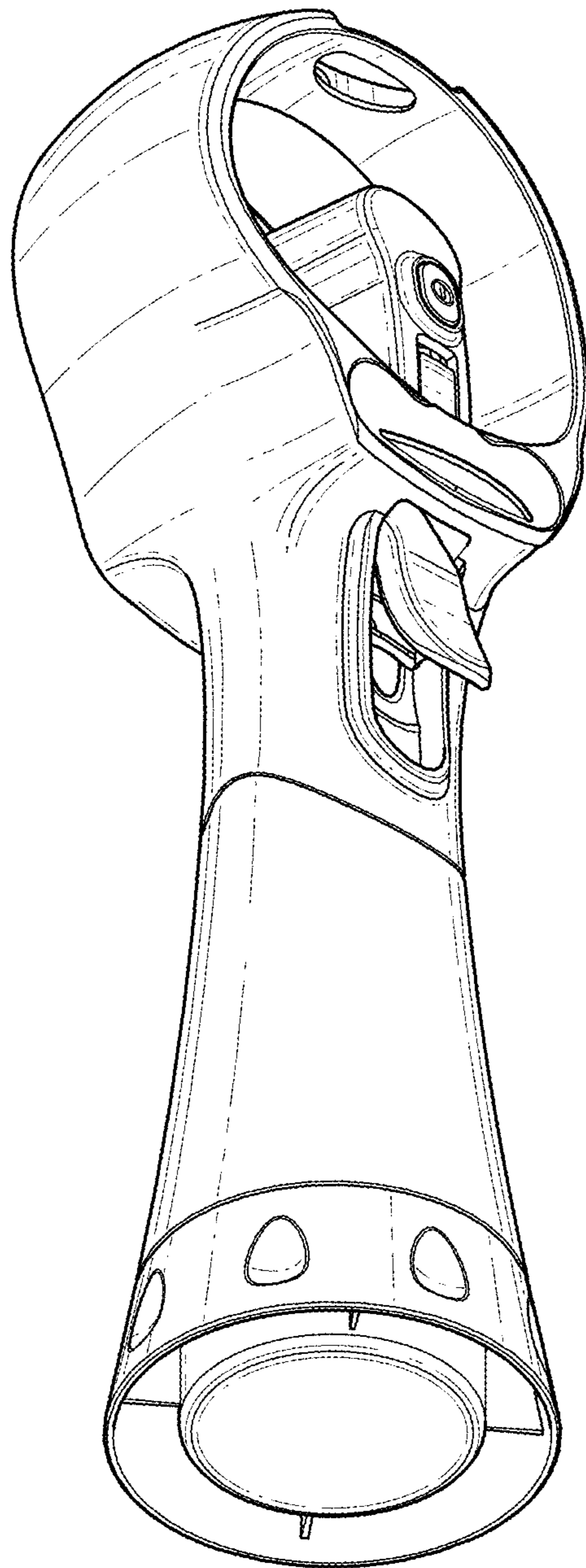
The broken lines in the drawings depict environmental subject matter only and form no part of the claimed design.

**1 Claim, 7 Drawing Sheets**

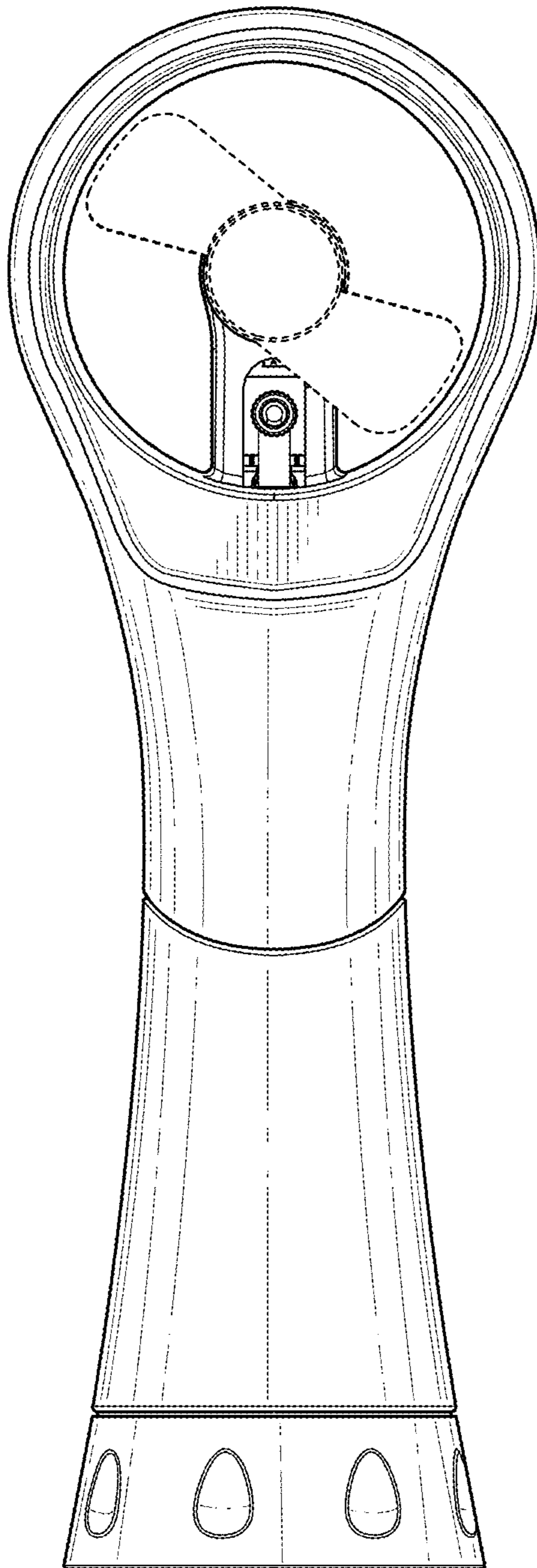




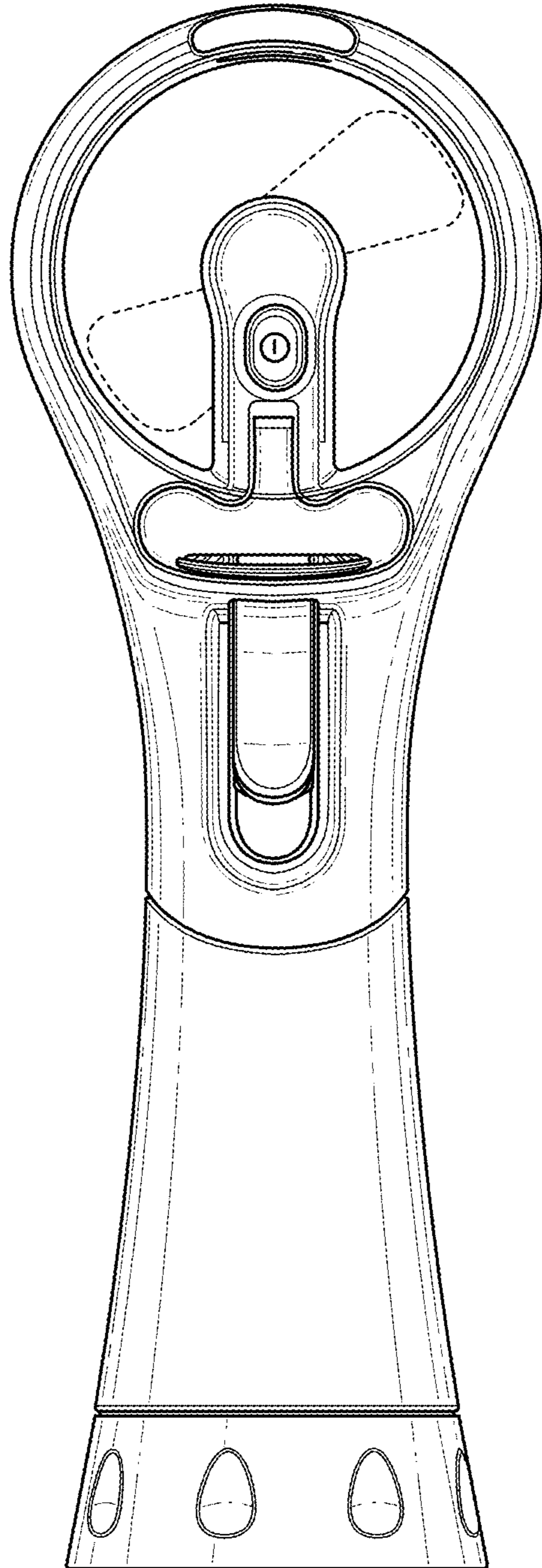
**FIG. 1**



**FIG. 2**



**FIG. 3**



**FIG. 4**

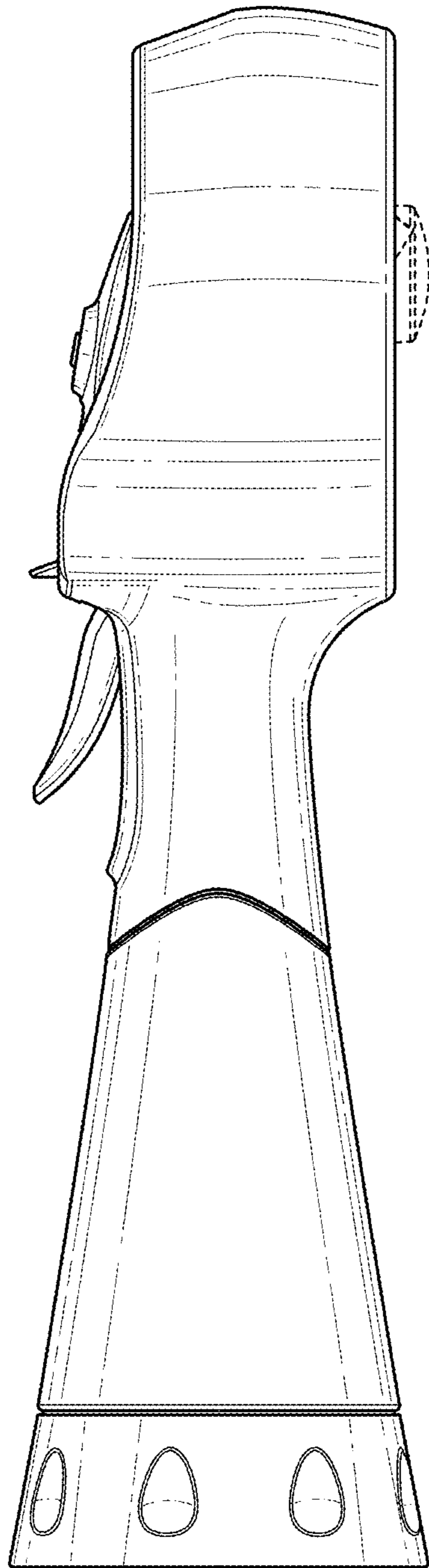
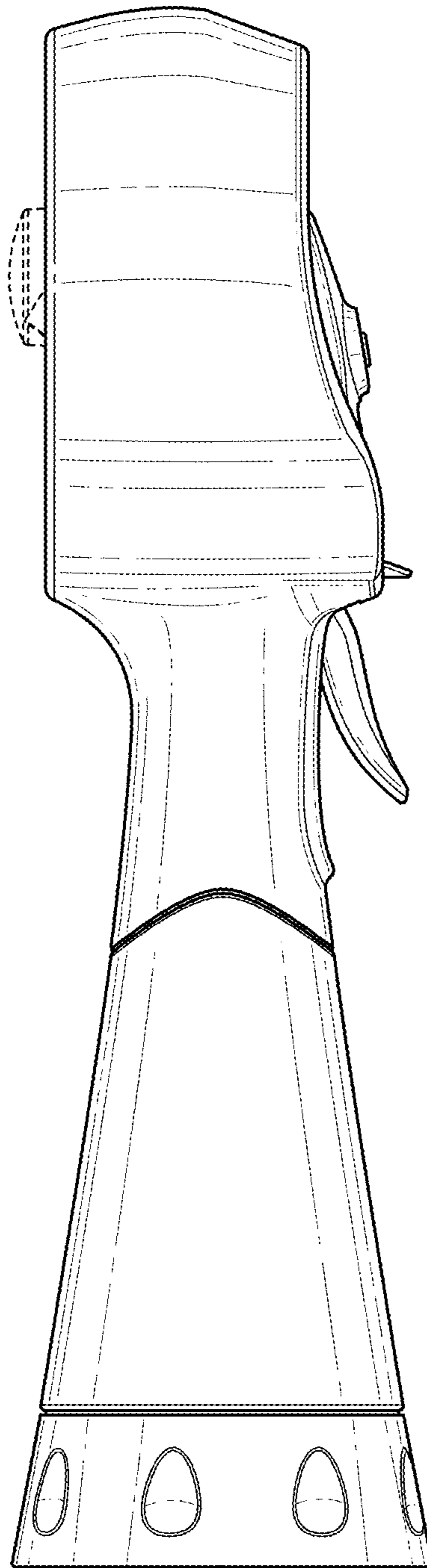
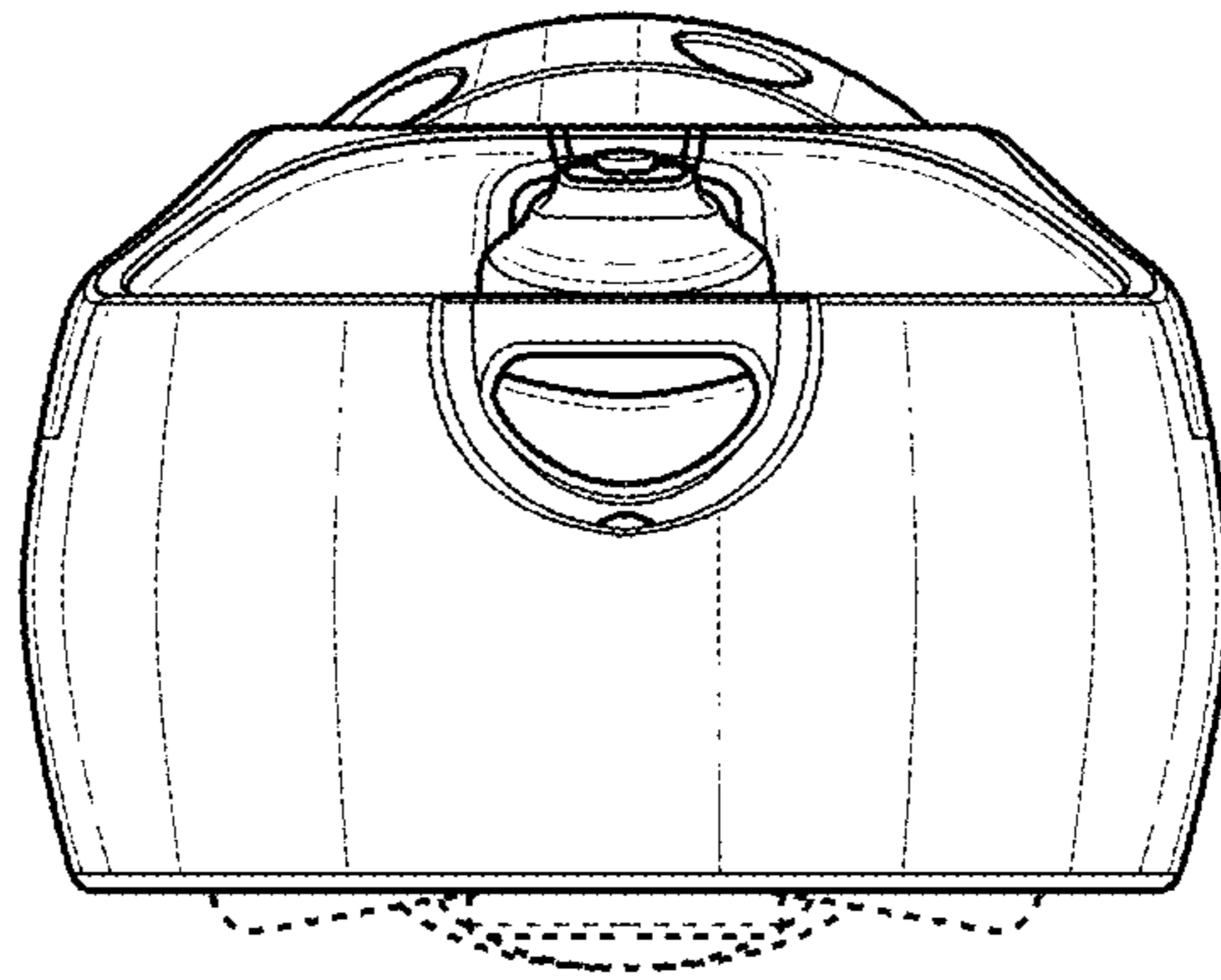


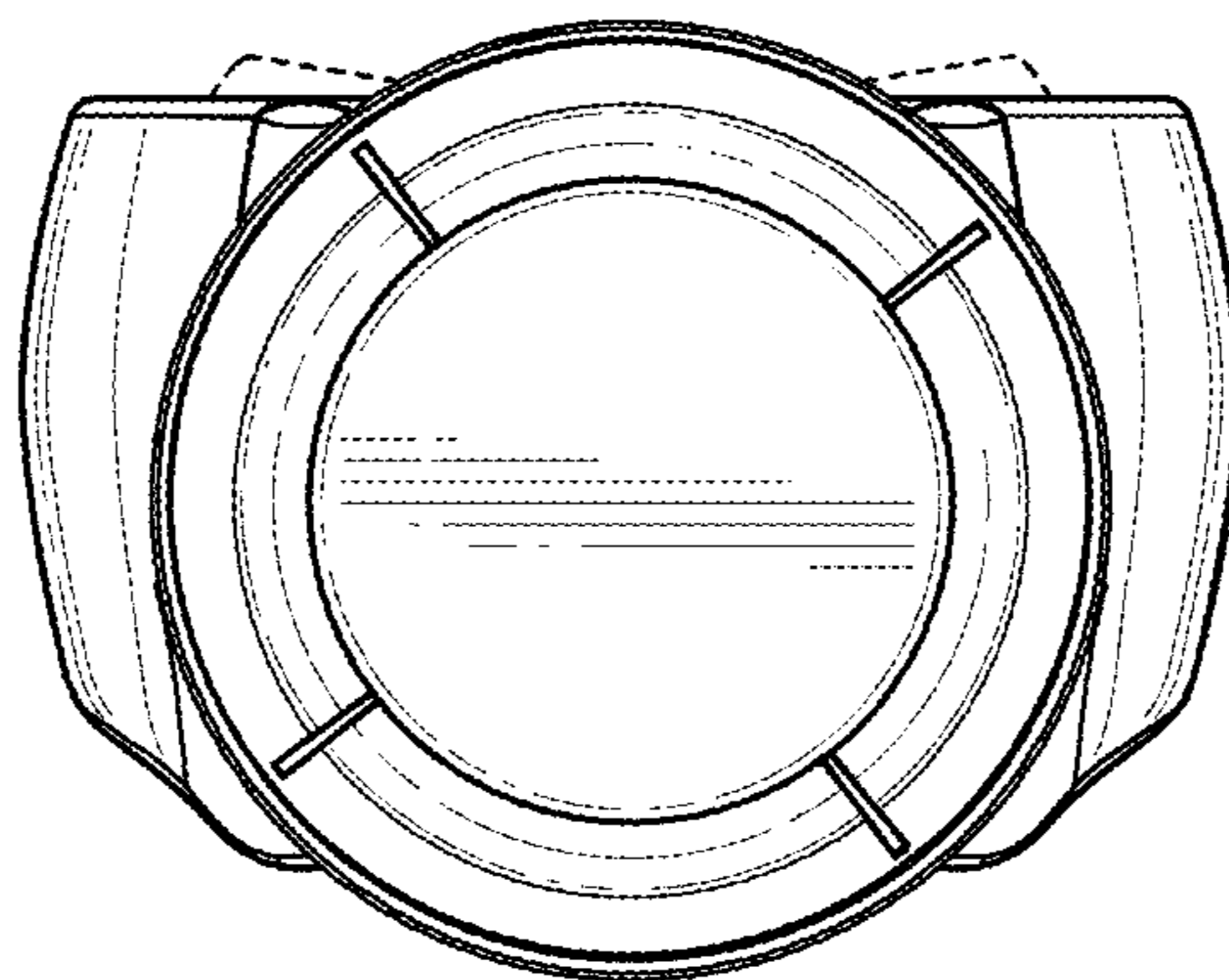
FIG. 5



**FIG. 6**



**FIG. 7**



**FIG. 8**