



US00D773630S

(12) **United States Design Patent**
Breit et al.

(10) **Patent No.:** **US D773,630 S**

(45) **Date of Patent:** **** Dec. 6, 2016**

(54) **WATER MISTING FAN WITH ENLARGED SPRAYER ACTUATOR**

(71) Applicant: **O2Cool, LLC**, Chicago, IL (US)

(72) Inventors: **Oliver Breit**, Discovery Bay (HK);
Jason Yap, Melbourne (AU)

(73) Assignee: **O2COOL, LLC**, Chicago, IL (US)

(**) Term: **15 Years**

(21) Appl. No.: **29/528,398**

(22) Filed: **May 28, 2015**

(51) **LOC (10) Cl.** **23-04**

(52) **U.S. Cl.**
USPC **D23/379; D23/328**

(58) **Field of Classification Search**
USPC D23/328, 370, 379; D9/685
CPC B05B 3/022; B05B 3/02
See application file for complete search history.

(56) **References Cited**

U.S. PATENT DOCUMENTS

- 5,338,495 A * 8/1994 Steiner B01F 3/04007
239/214.25
- D387,852 S * 12/1997 Radtke D23/328
- D451,588 S * 12/2001 Steiner D23/379
- 6,398,132 B1 * 6/2002 Junkel B05B 11/0037
222/175
- 7,143,958 B1 * 12/2006 Dorney B05B 3/022
215/229
- D554,242 S * 10/2007 Chen D23/314

- D565,720 S * 4/2008 Chen D23/379
- D703,308 S * 4/2014 Peterson D23/379
- D733,282 S * 6/2015 Peterson D23/328
- D741,184 S * 10/2015 Herbst D9/530
- D741,462 S * 10/2015 Champ D23/328
- 9,339,827 B2 * 5/2016 Chan B05B 3/022
- D758,197 S * 6/2016 Herbst D9/530

* cited by examiner

Primary Examiner — Susan Bennett Hattan

Assistant Examiner — Janice Hallmark

(74) *Attorney, Agent, or Firm* — Thompson Coburn LLP

(57) **CLAIM**

We claim the ornamental design for a water misting fan with enlarged sprayer actuator, as shown and described.

DESCRIPTION

FIG. 1 is a front perspective view of the water misting fan with enlarged sprayer actuator showing our new design;
 FIG. 2 is a perspective view taken from the left bottom front corner of the water misting fan with enlarged sprayer actuator;
 FIG. 3 is a right side view thereof;
 FIG. 4 is a left side view thereof;
 FIG. 5 is a front view thereof;
 FIG. 6 is a rear view thereof;
 FIG. 7 is a top plan view thereof; and,
 FIG. 8 is a bottom view thereof.

1 Claim, 7 Drawing Sheets

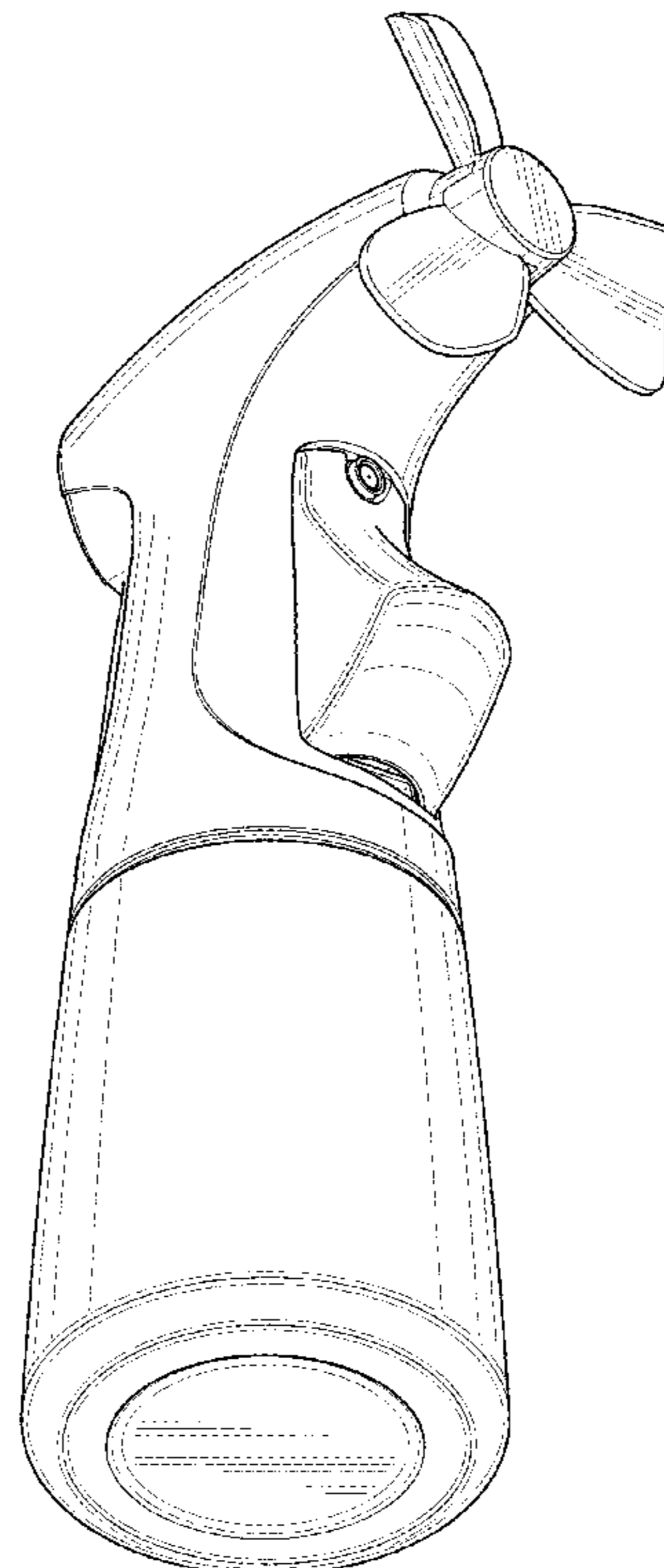
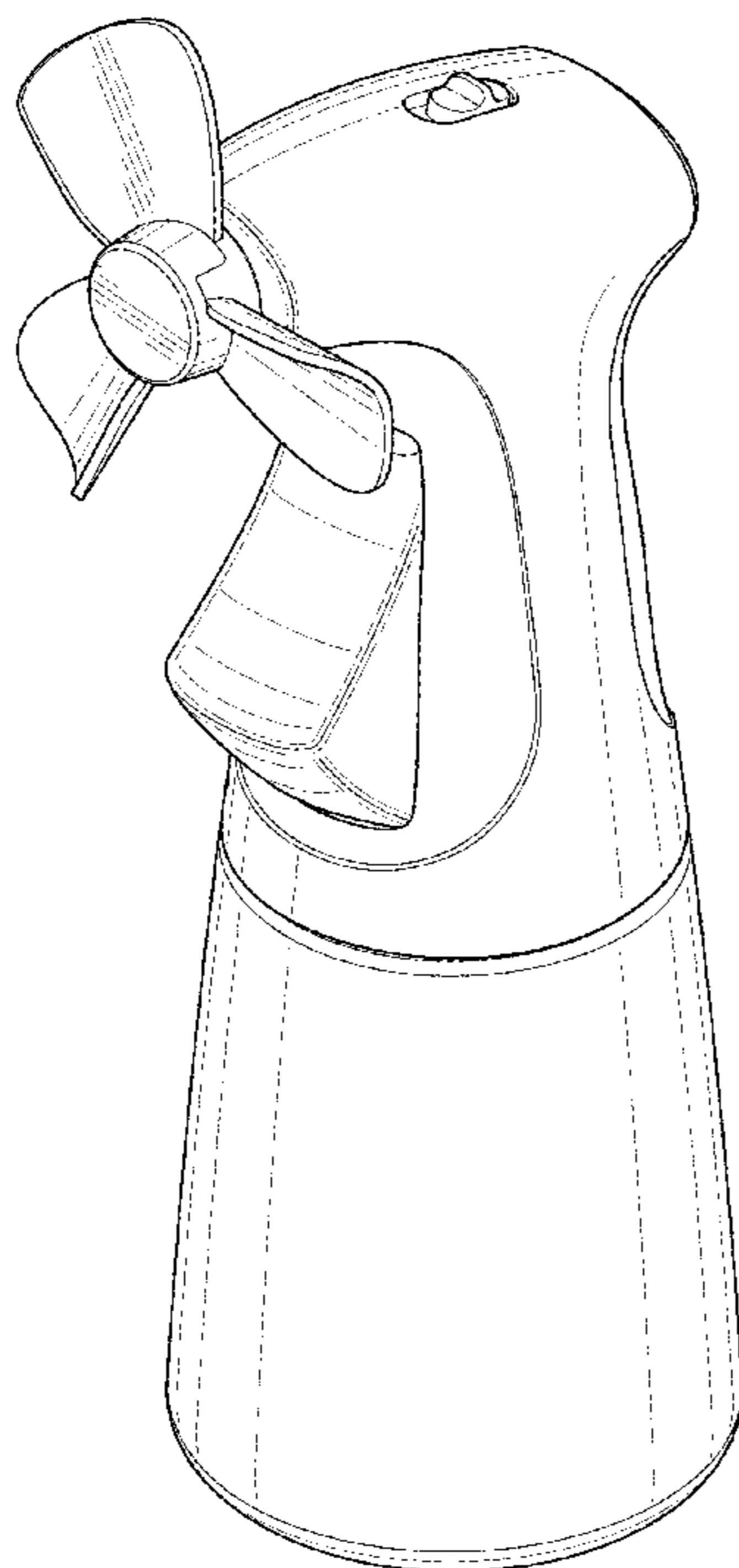




FIG. 1

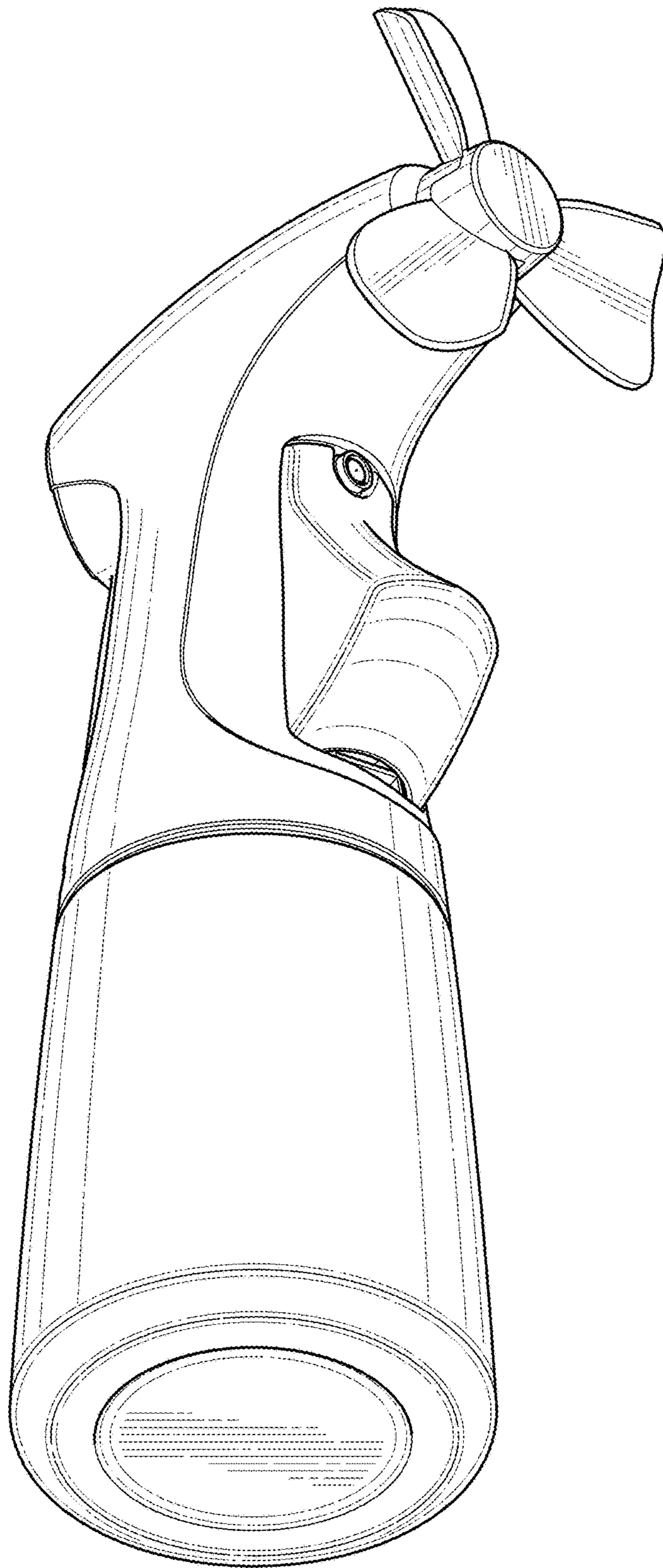


FIG. 2

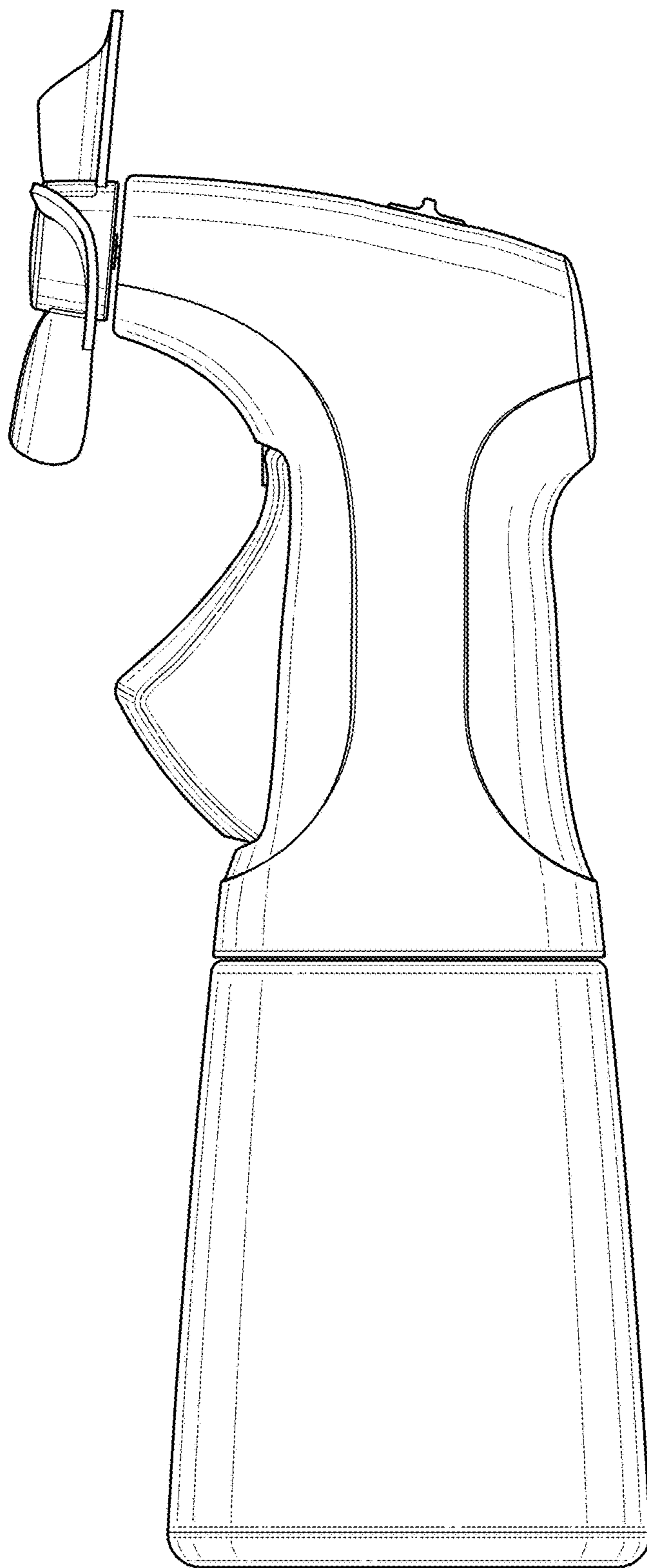


FIG. 3

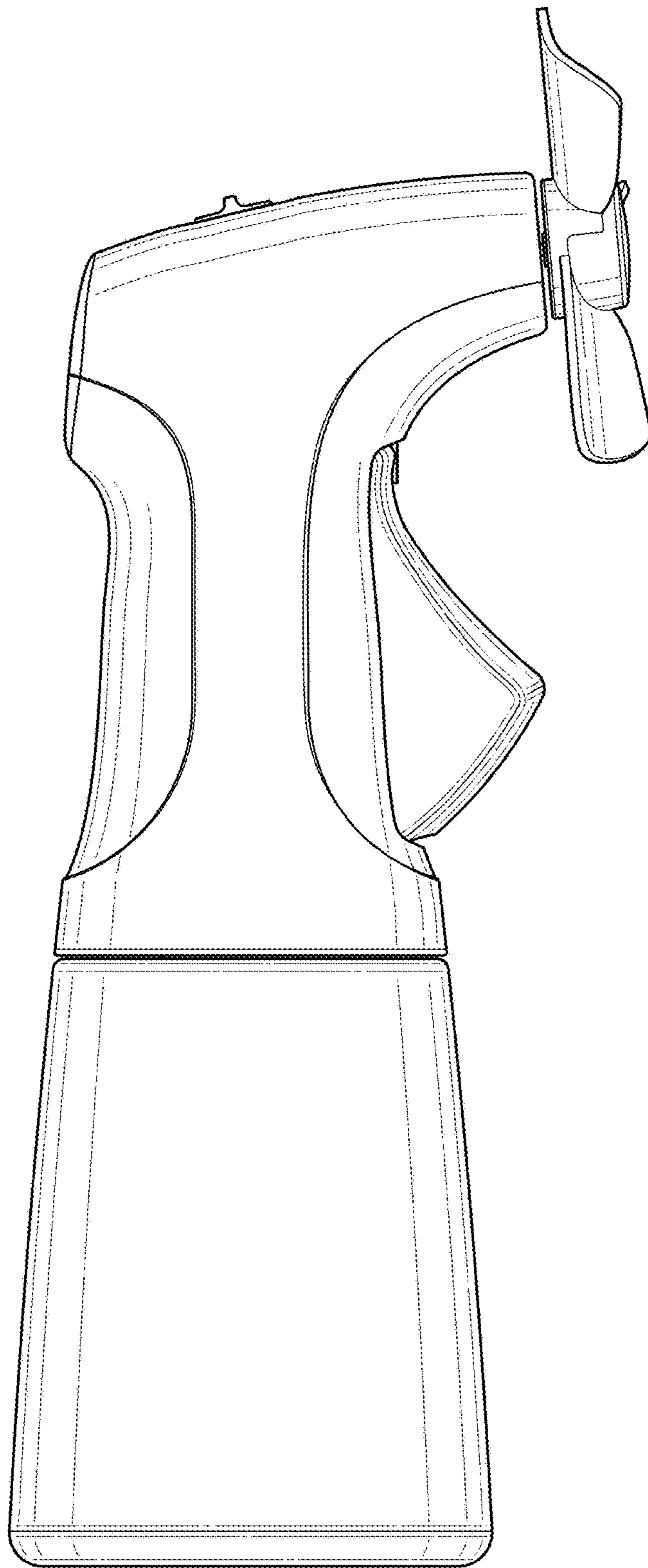


FIG. 4

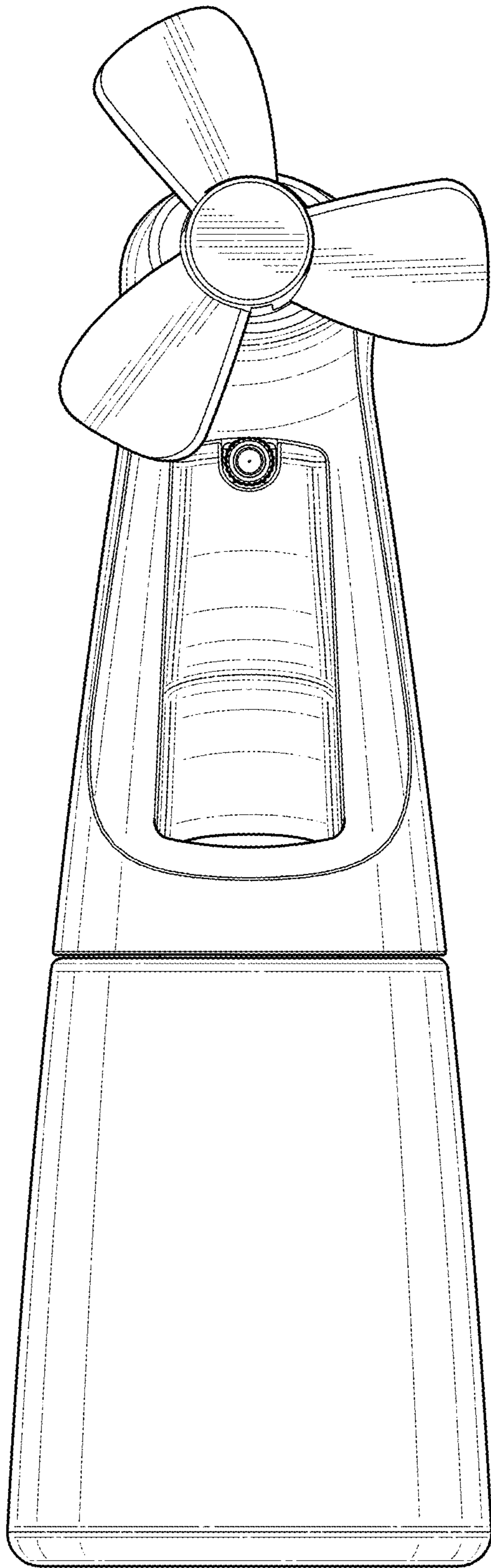


FIG. 5

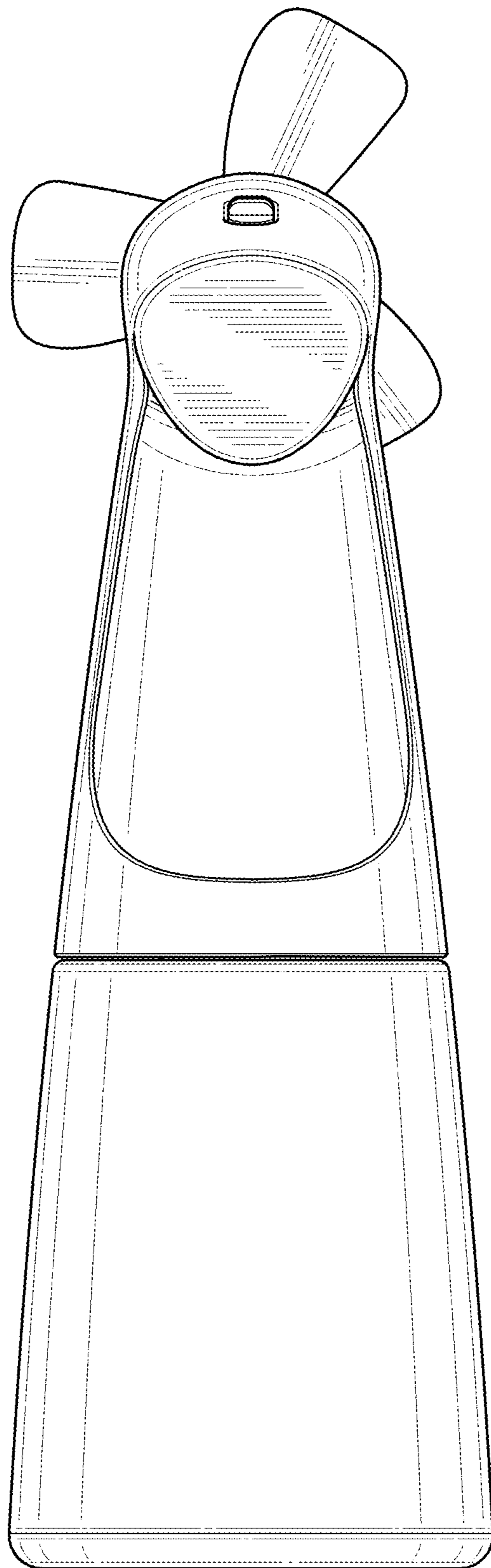


FIG. 6

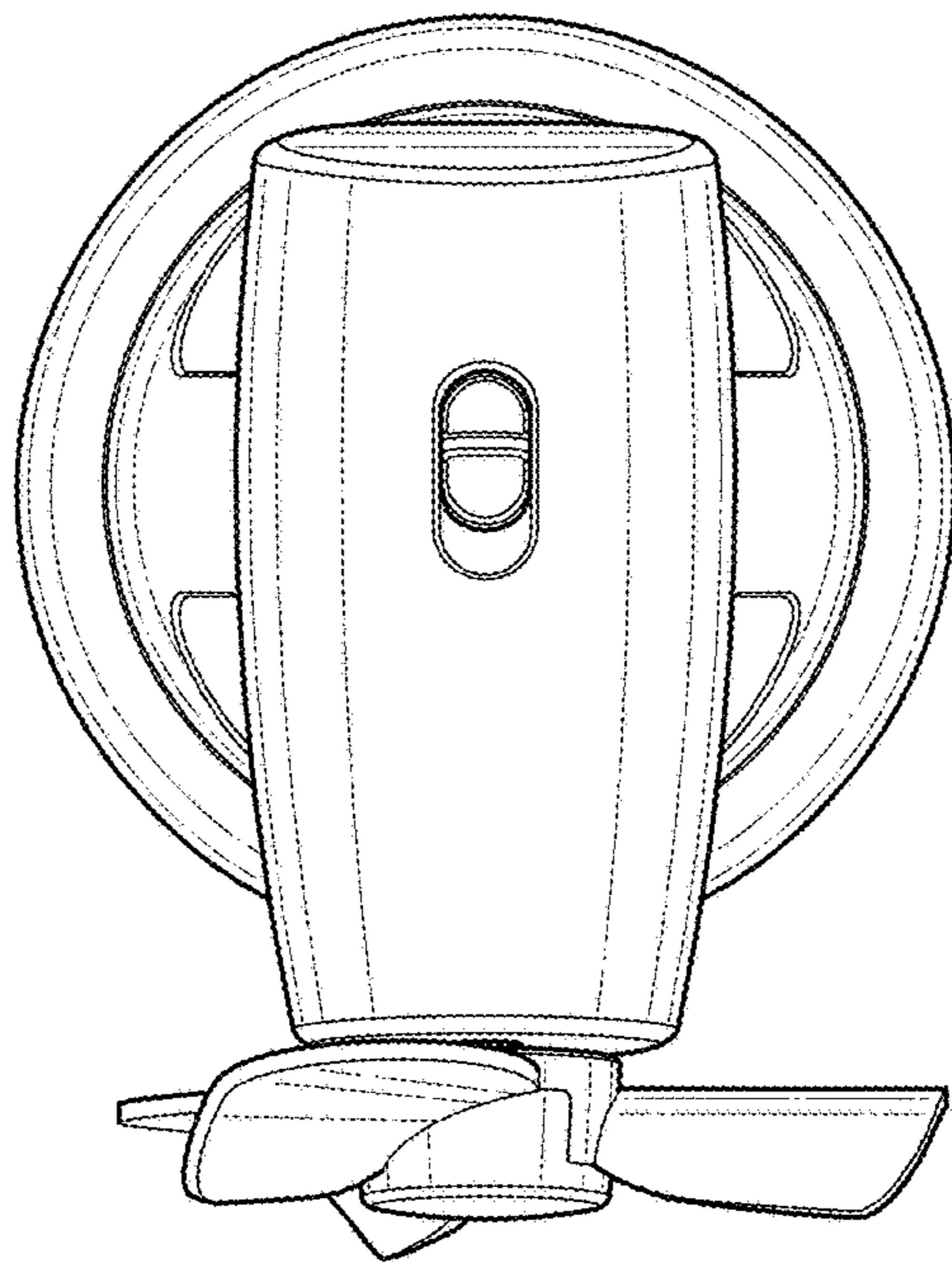


FIG. 7

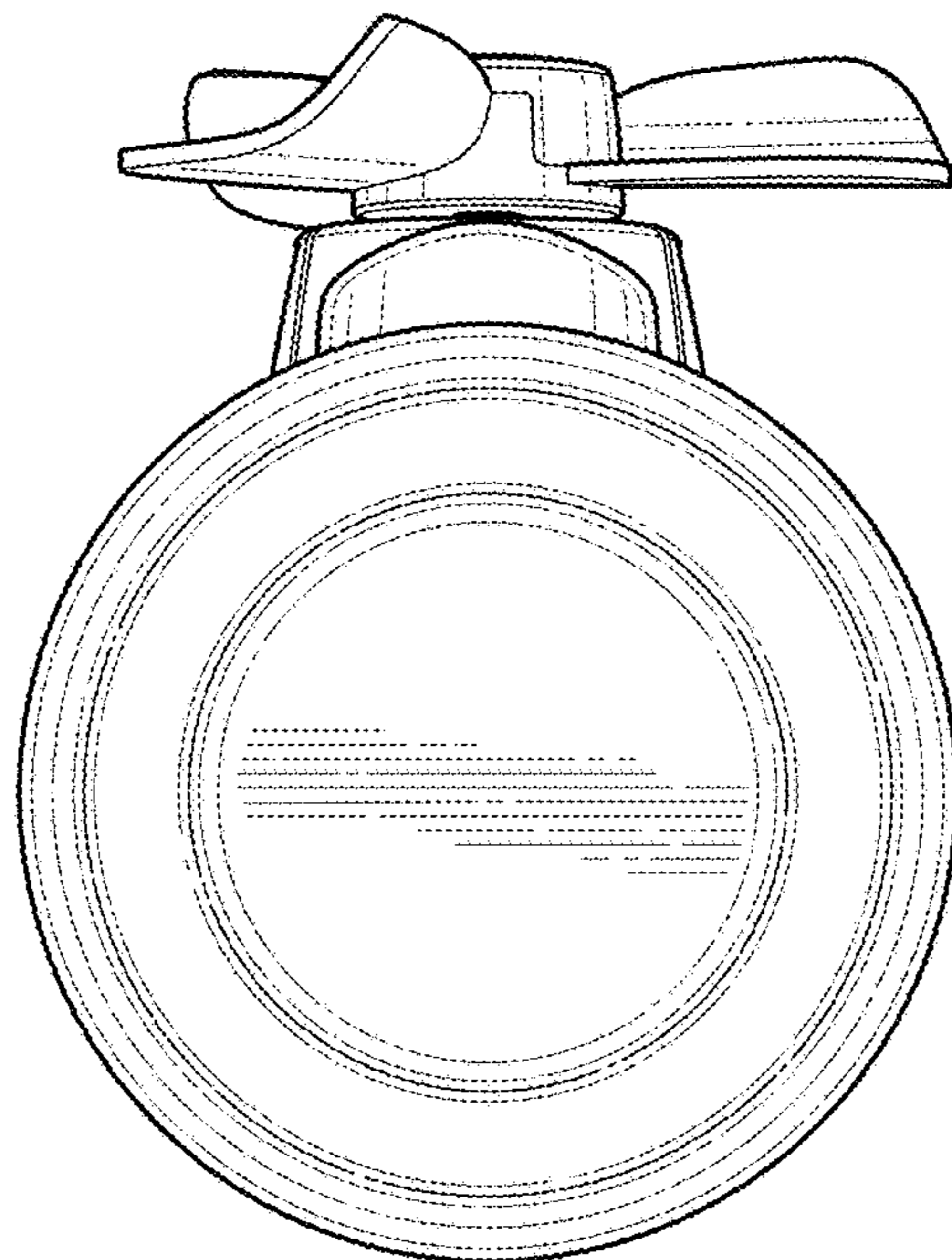


FIG. 8