



US00D773628S

(12) **United States Design Patent** (10) **Patent No.:** **US D773,628 S**
Gobber et al. (45) **Date of Patent:** **** Dec. 6, 2016**

(54) **EVAPORATOR**

(71) Applicant: **ZOBELE ESPAÑA, S.A.**, Barcelona (ES)

(72) Inventors: **Cedric Gobber**, Barcelona (ES); **Fernando Mayor Sans**, Barcelona (ES); **Jordi Masó Sabaté**, Barcelona (ES)

(73) Assignee: **ZOBELE ESPAÑA, S.A.**, Barcelona (ES)

(**) Term: **14 Years**

(21) Appl. No.: **29/519,730**

(22) Filed: **Mar. 6, 2015**

(30) **Foreign Application Priority Data**

Dec. 29, 2014 (EM) 002606509-0001

(51) **LOC (10) Cl.** **28-99**

(52) **U.S. Cl.**
USPC **D23/366**

(58) **Field of Classification Search**

USPC D23/355-369; D28/5, 6; 261/DIG. 17, 261/DIG. 42, DIG. 65, DIG. 88, DIG. 89; 392/386, 390, 394, 395; 239/34, 44, 53, 55, 239/56, 326; D26/14, 17, 98, 9, 22, 24

CPC A61L 9/00; A61L 9/02; A61L 9/03; A61L 9/032; A61L 9/035; A61L 9/037; A61L 9/04; A61L 9/12; A61L 9/22

See application file for complete search history.

(56) **References Cited**

U.S. PATENT DOCUMENTS

D288,842 S * 3/1987 Kwiatkowski D23/366
D392,032 S * 3/1998 Zaragoza D23/366

D449,877 S * 10/2001 Delmenico D23/356
D509,893 S * 9/2005 Sevy D23/366
D611,588 S * 3/2010 Jorgensen D23/366
D621,495 S * 8/2010 Li D23/366
D622,835 S * 8/2010 Mendheim D23/364
D696,763 S * 12/2013 Li D23/366
D698,429 S * 1/2014 Jorgensen D23/366
D698,909 S * 2/2014 Chou D23/366
D698,910 S * 2/2014 Lin D23/366
D720,063 S * 12/2014 Li D23/366

FOREIGN PATENT DOCUMENTS

EP 2487871 8/2012

* cited by examiner

Primary Examiner — Sandra Snapp

(74) *Attorney, Agent, or Firm* — Polsinelli PC

(57) **CLAIM**

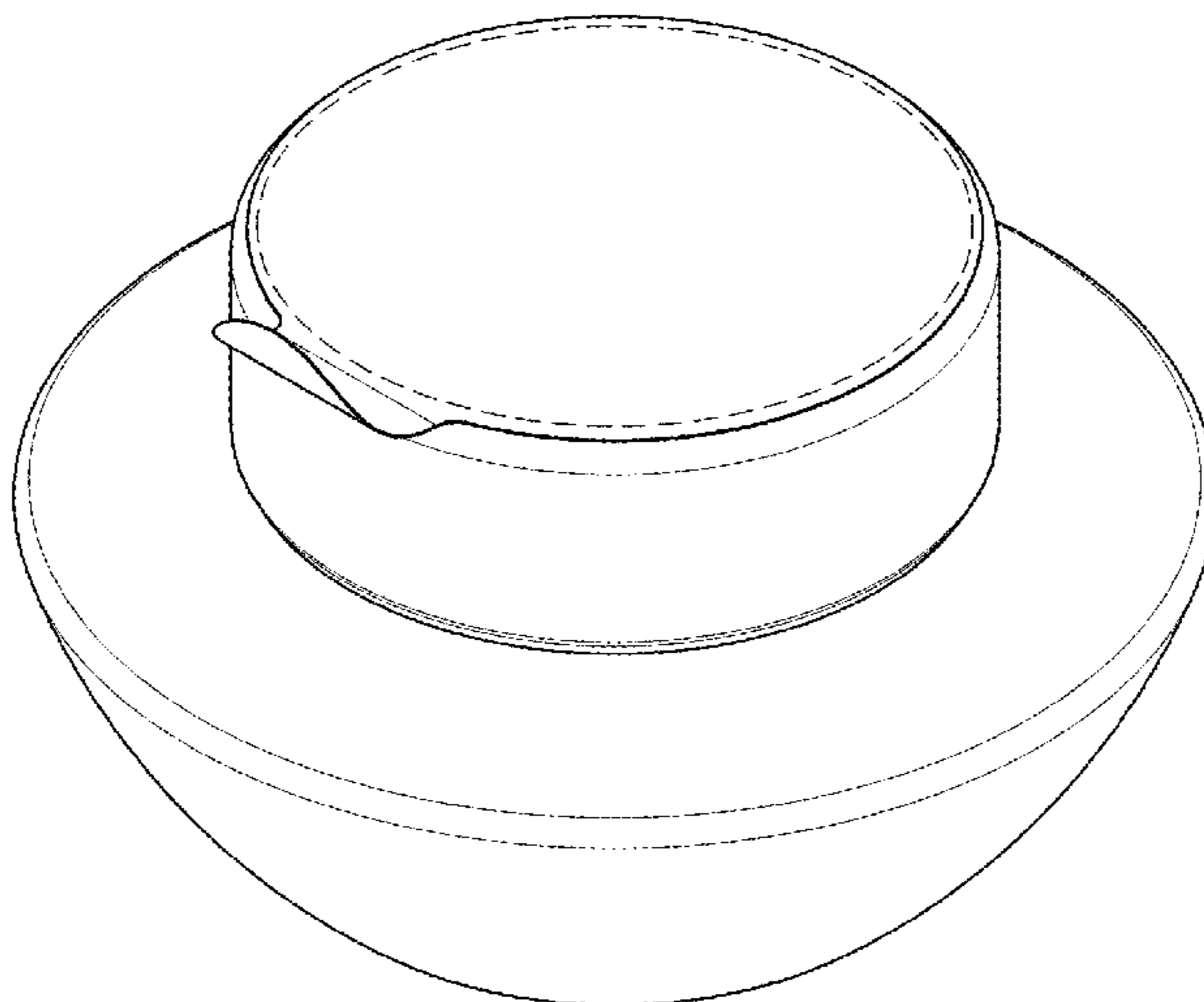
We claim the ornamental design for an evaporator, as shown and described.

DESCRIPTION

FIG. 1 is an upper perspective view of an evaporator; FIG. 2 is a front elevational view thereof; FIG. 3 is a rear elevational view thereof; FIG. 4 is a right side elevational view thereof; FIG. 5 is a top plan view thereof; and, FIG. 6 is a bottom plan view thereof.

The left side elevational view of the evaporator is a mirror image of that shown in FIG. 4, and is therefore not shown. The broken lines shown in the drawings are for illustrative purposes only and form no part of the claimed design.

1 Claim, 6 Drawing Sheets



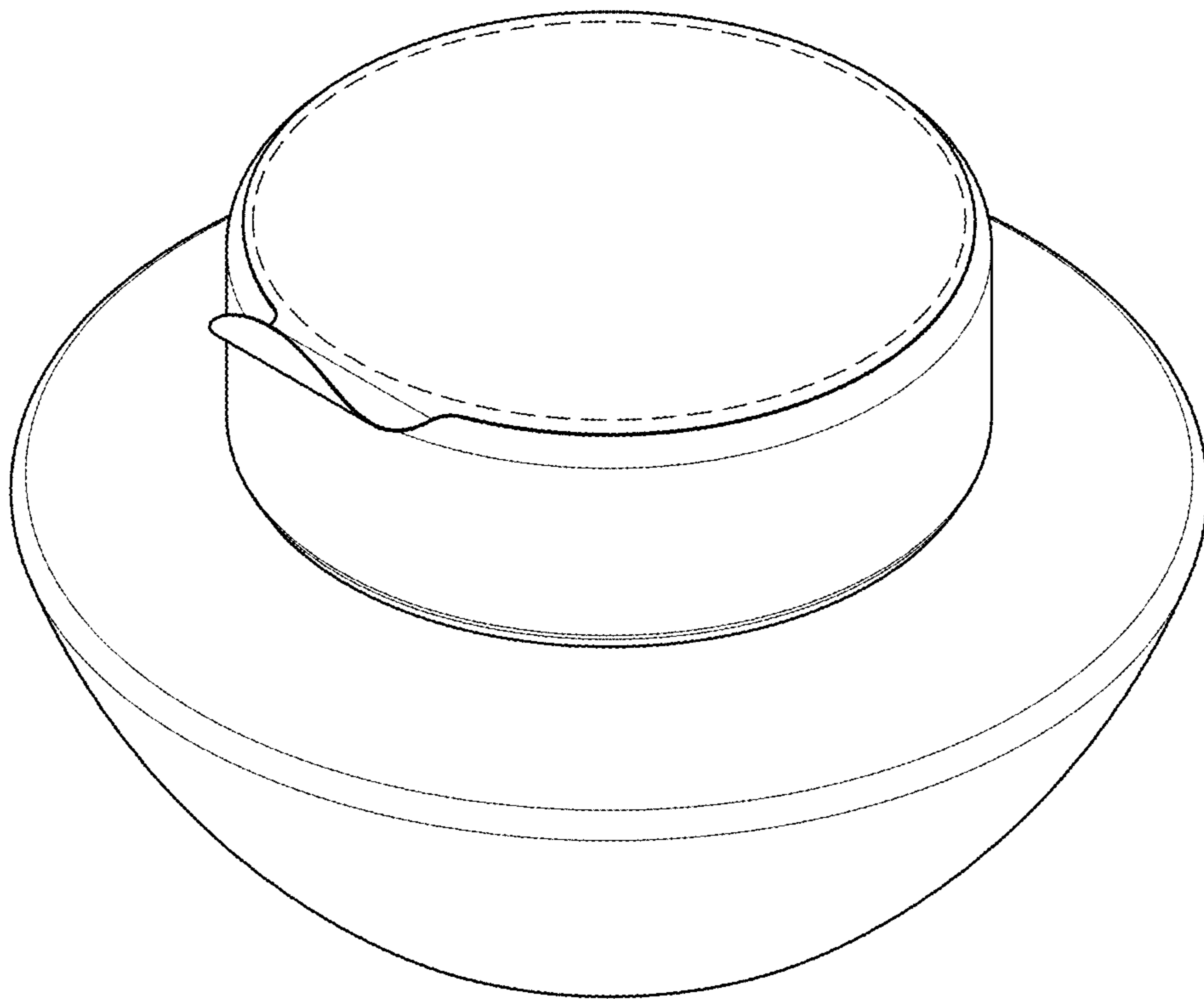


FIG. 1

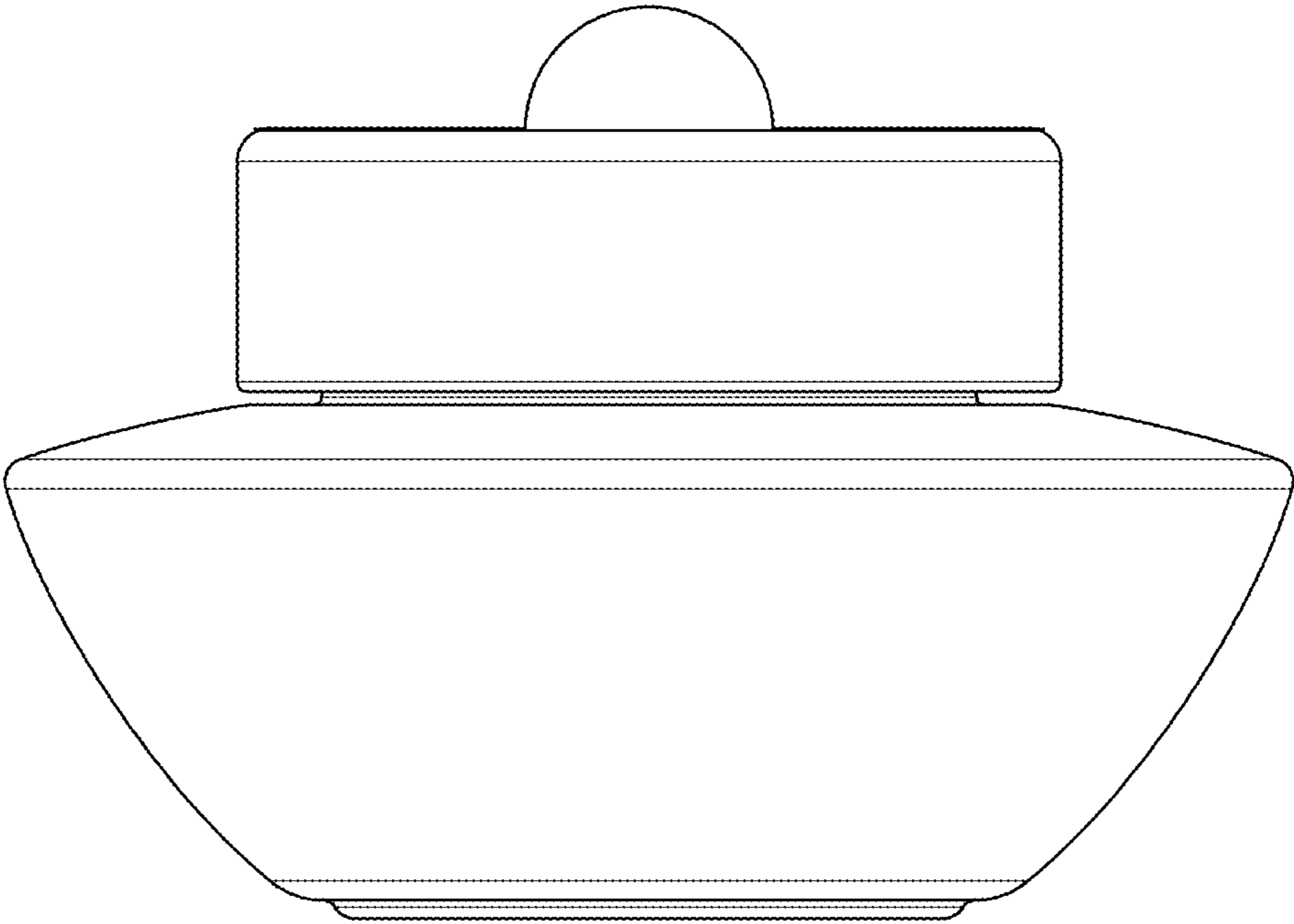


FIG. 2

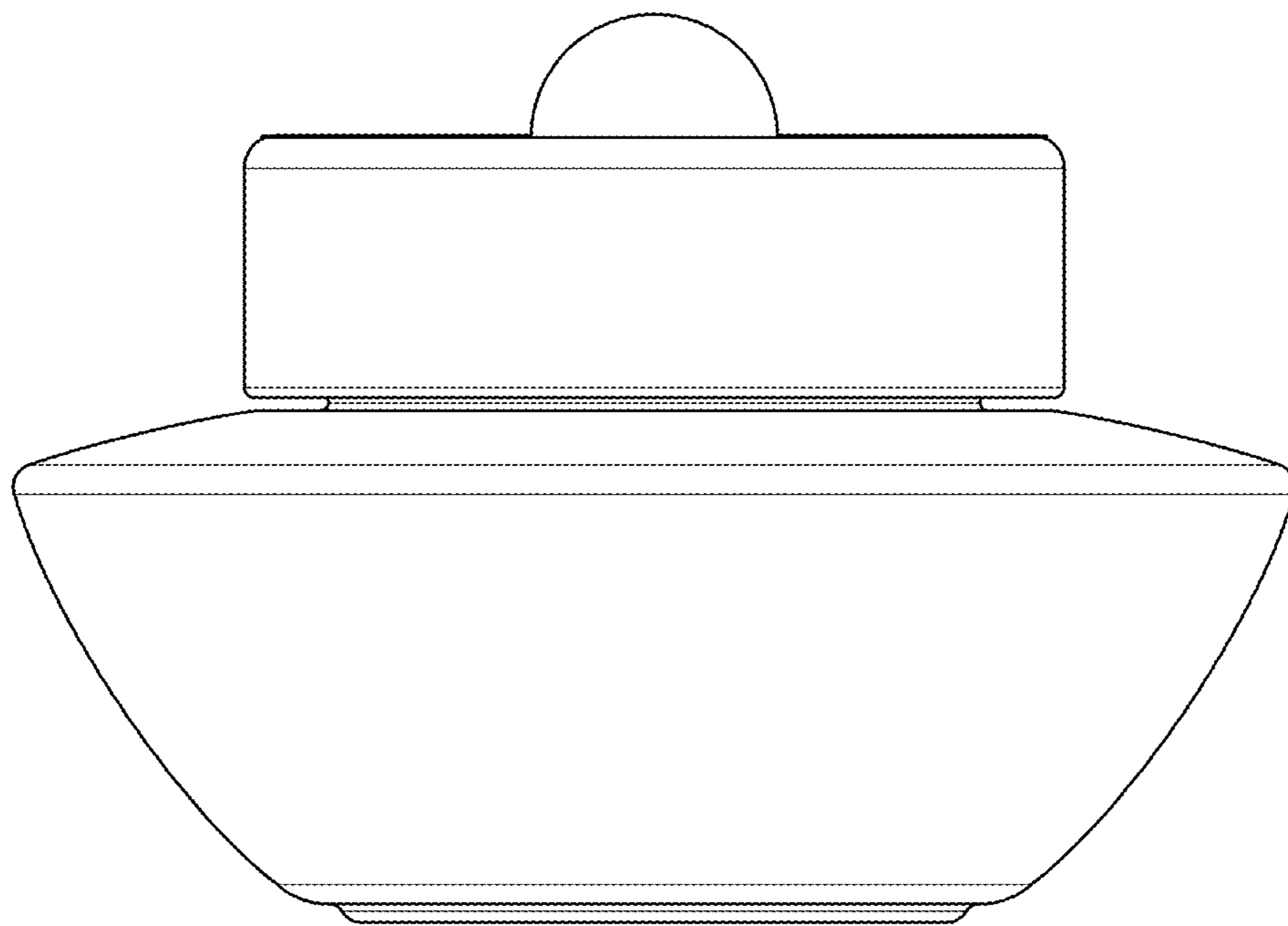


FIG. 3

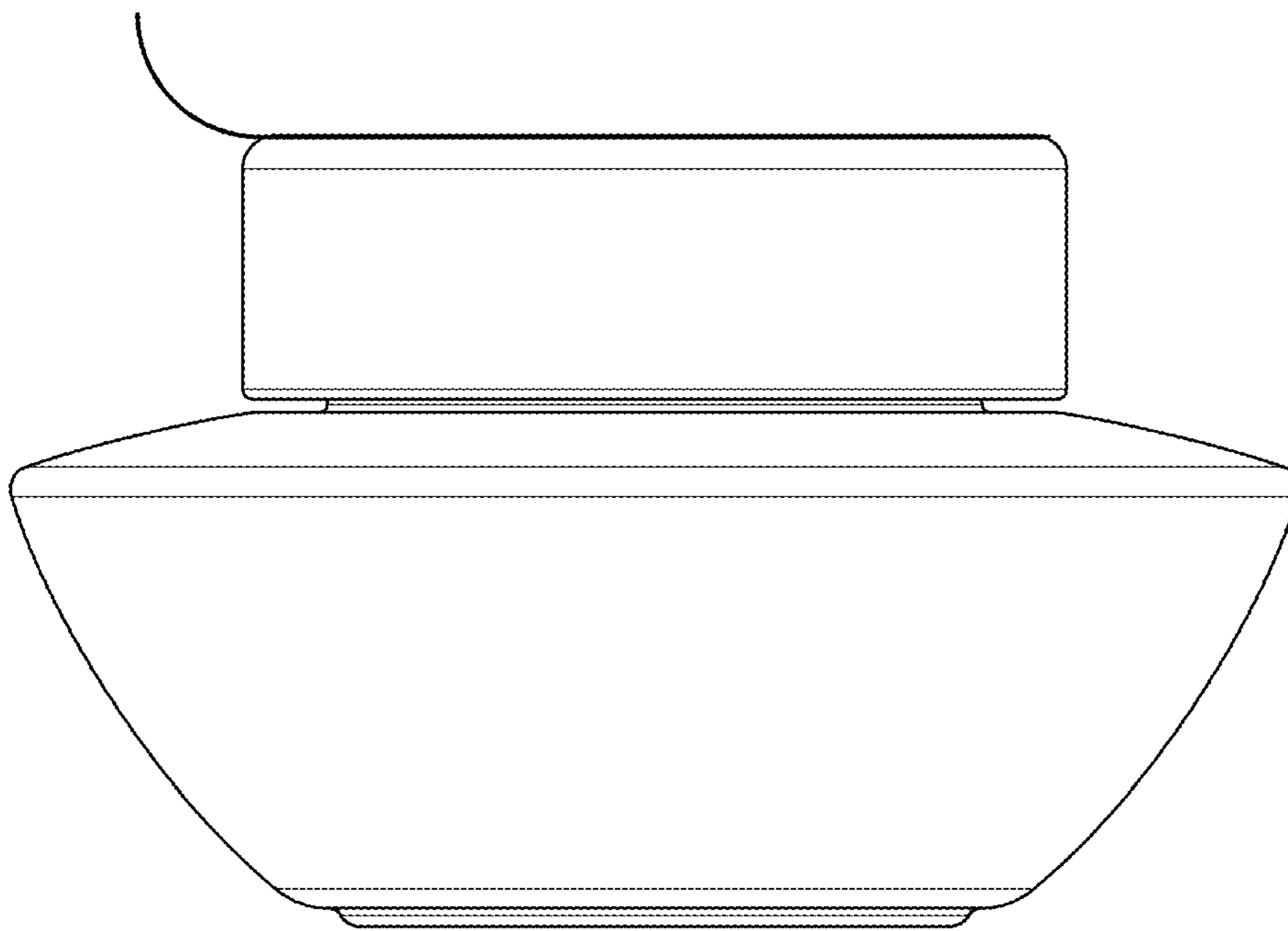


FIG. 4

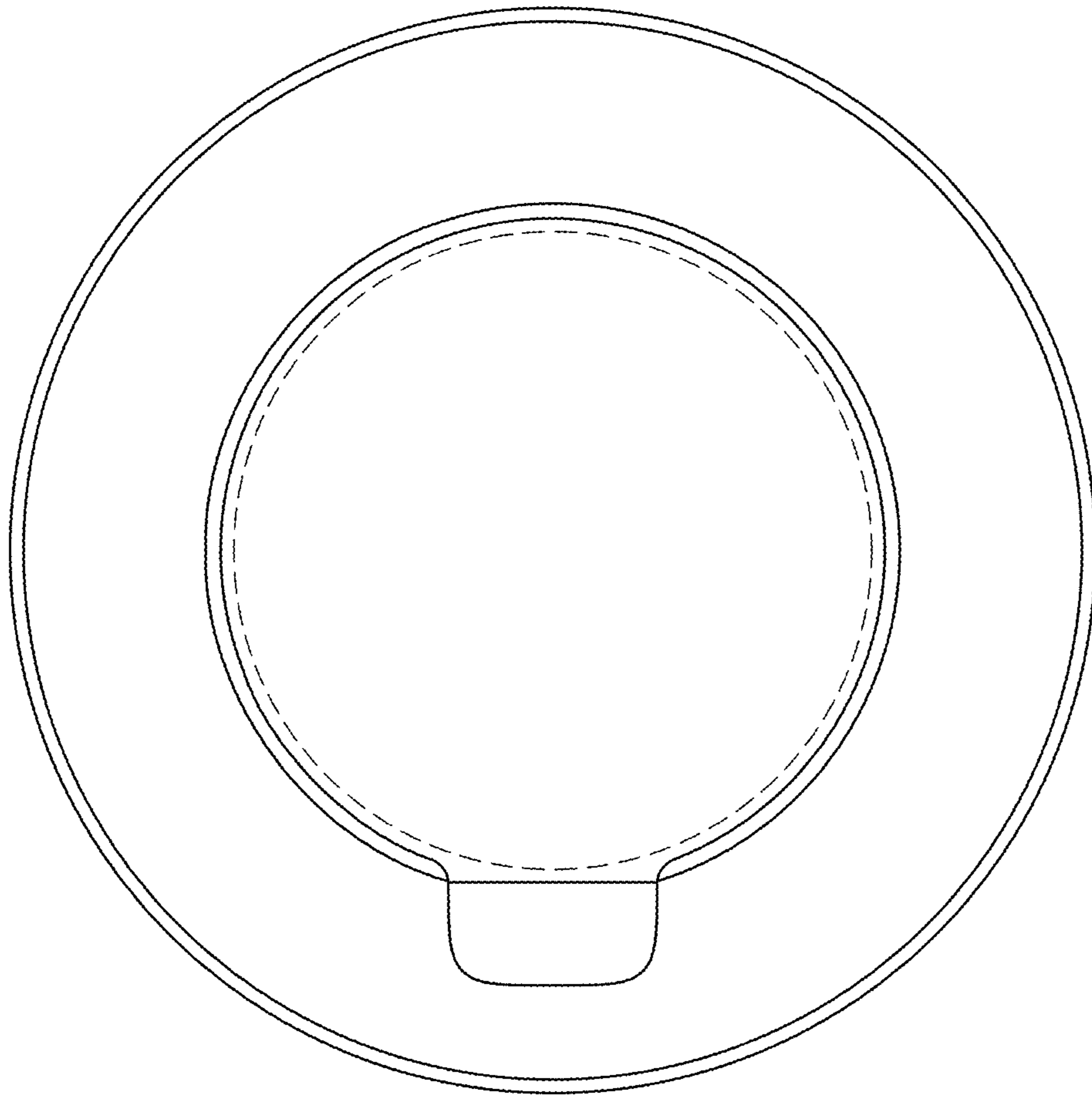


FIG. 5

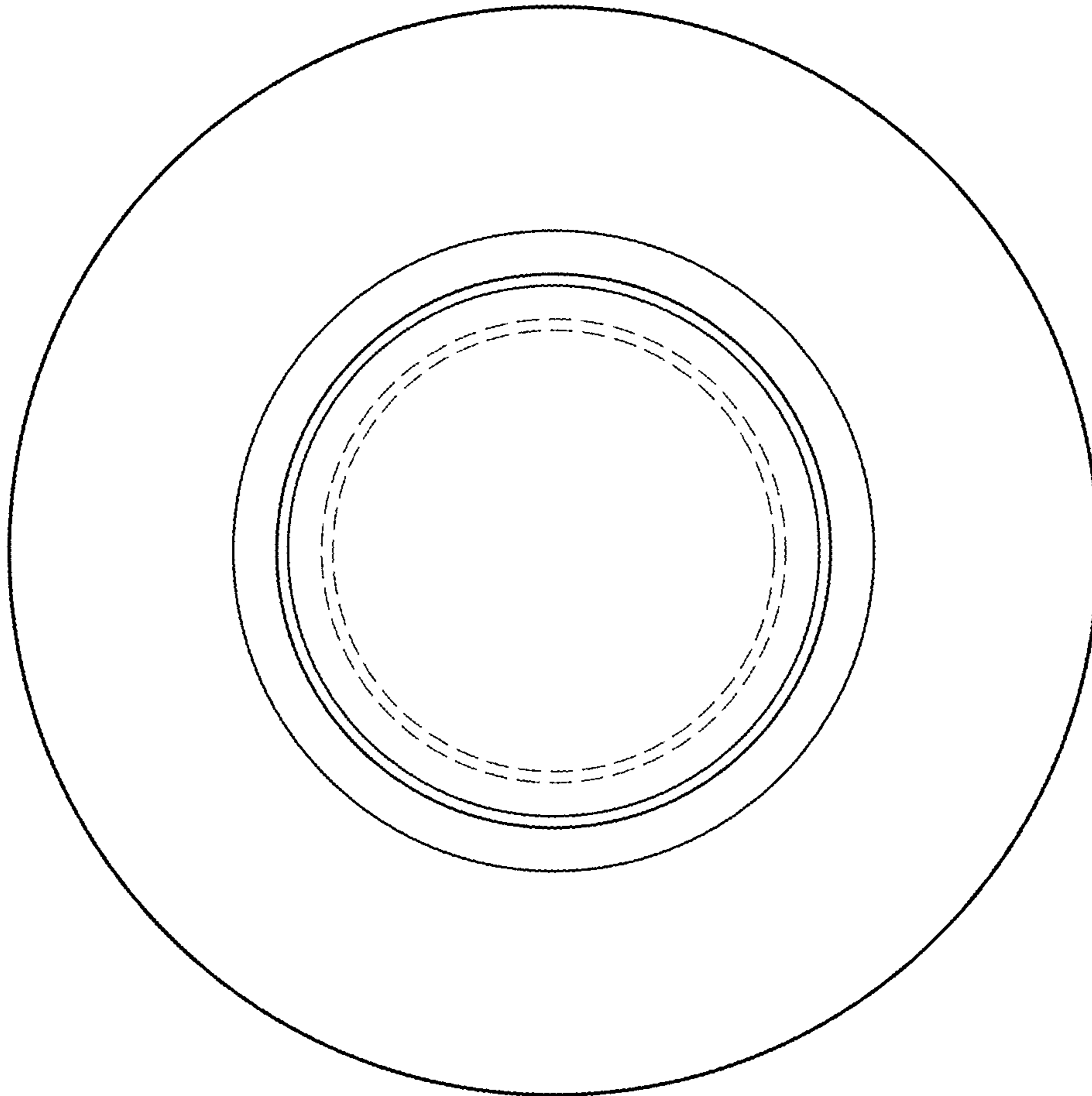


FIG. 6