



US00D773627S

(12) **United States Design Patent** (10) **Patent No.:** **US D773,627 S**  
**Benamor** (45) **Date of Patent:** **\*\* \*Dec. 6, 2016**

(54) **AROMATHERAPY DIFFUSER**

(71) Applicant: **Joe Benamor**, Mount-Royal (CA)

(72) Inventor: **Joe Benamor**, Mount-Royal (CA)

(73) Assignee: **Hubmar International Inc.**, St-Laurent (CA)

(\*) Notice: This patent is subject to a terminal disclaimer.

(\*\*) Term: **14 Years**

(21) Appl. No.: **29/468,036**

(22) Filed: **Sep. 26, 2013**

(51) **LOC (10) Cl.** ..... **28-99**

(52) **U.S. Cl.**  
USPC ..... **D23/366**

(58) **Field of Classification Search**  
USPC ..... D23/355-369; D28/5, 6; 261/DIG. 17, 261/DIG. 42, DIG. 65, DIG. 88, DIG. 89; 392/386, 390, 394, 395; 239/34, 44, 239/53, 55, 56, 326; D26/14, 17, 98, 9, 22, D26/24; D11/131.1; D7/509, 522, 524, 537  
CPC ..... A61L 9/00; A61L 9/02; A61L 9/03; A61L 9/032; A61L 9/035; A61L 9/037; A61L 9/04; A61L 9/12; A61L 9/22  
See application file for complete search history.

(56) **References Cited**

U.S. PATENT DOCUMENTS

D504,842 S \* 5/2005 Umeda et al. .... D11/131.1  
D611,581 S \* 3/2010 Jorgensen ..... D23/366

\* cited by examiner

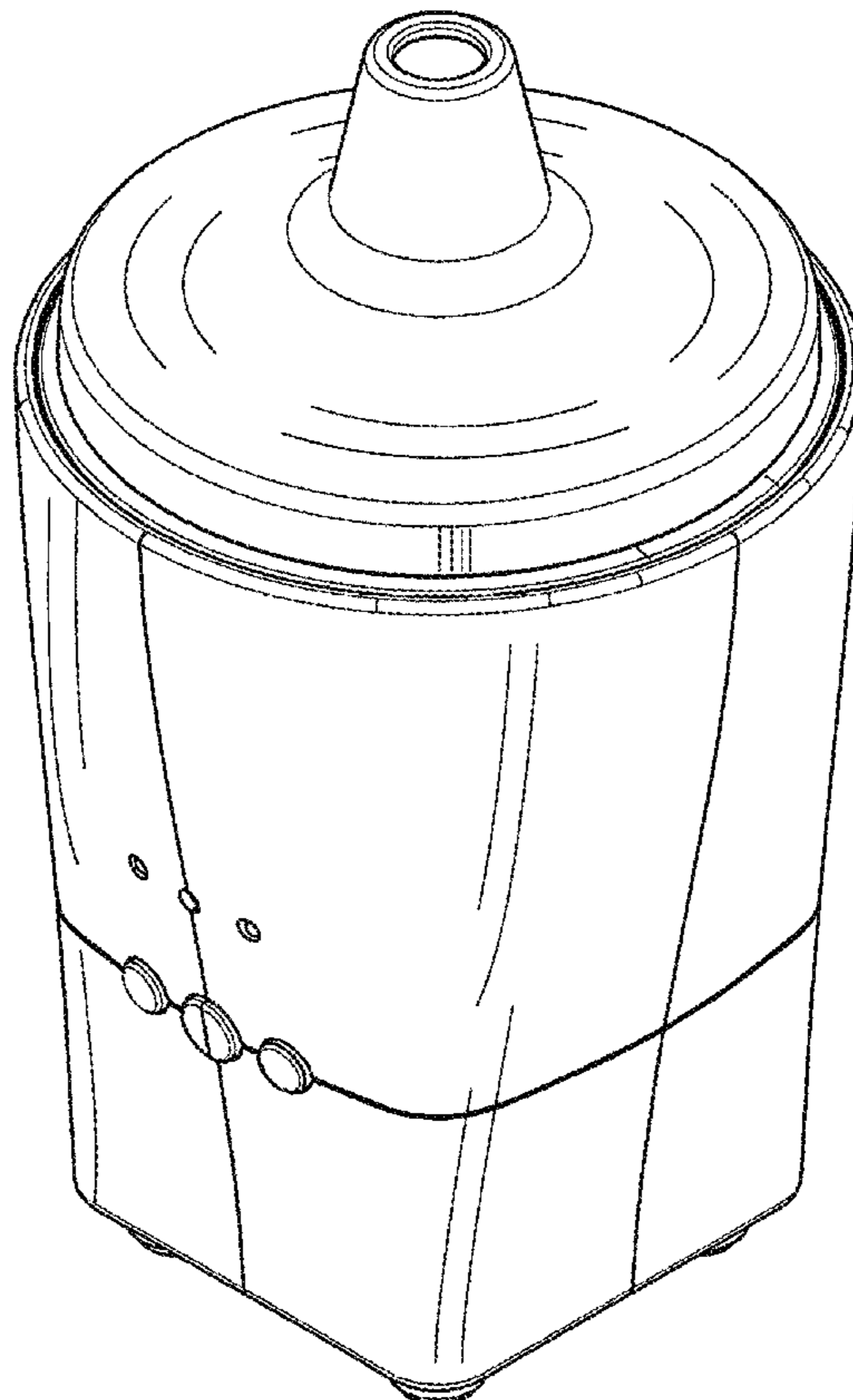
*Primary Examiner* — Sandra Snapp  
(74) *Attorney, Agent, or Firm* — Mila Shvartsman

(57) **CLAIM**  
I claim the ornamental design for an aromatherapy diffuser, as shown and described.

**DESCRIPTION**

FIG. 1 is a front view of an aromatherapy diffuser showing my new design;  
 FIG. 2 is a right side view thereof;  
 FIG. 3 is a left side view thereof;  
 FIG. 4 is a top view thereof;  
 FIG. 5 is a bottom view thereof;  
 FIG. 6 is a rear view thereof; and,  
 FIG. 7 is a perspective view thereof.  
 The broken lines shown in the drawings are for illustrative purposes only and form no part of the claimed design.

**1 Claim, 6 Drawing Sheets**



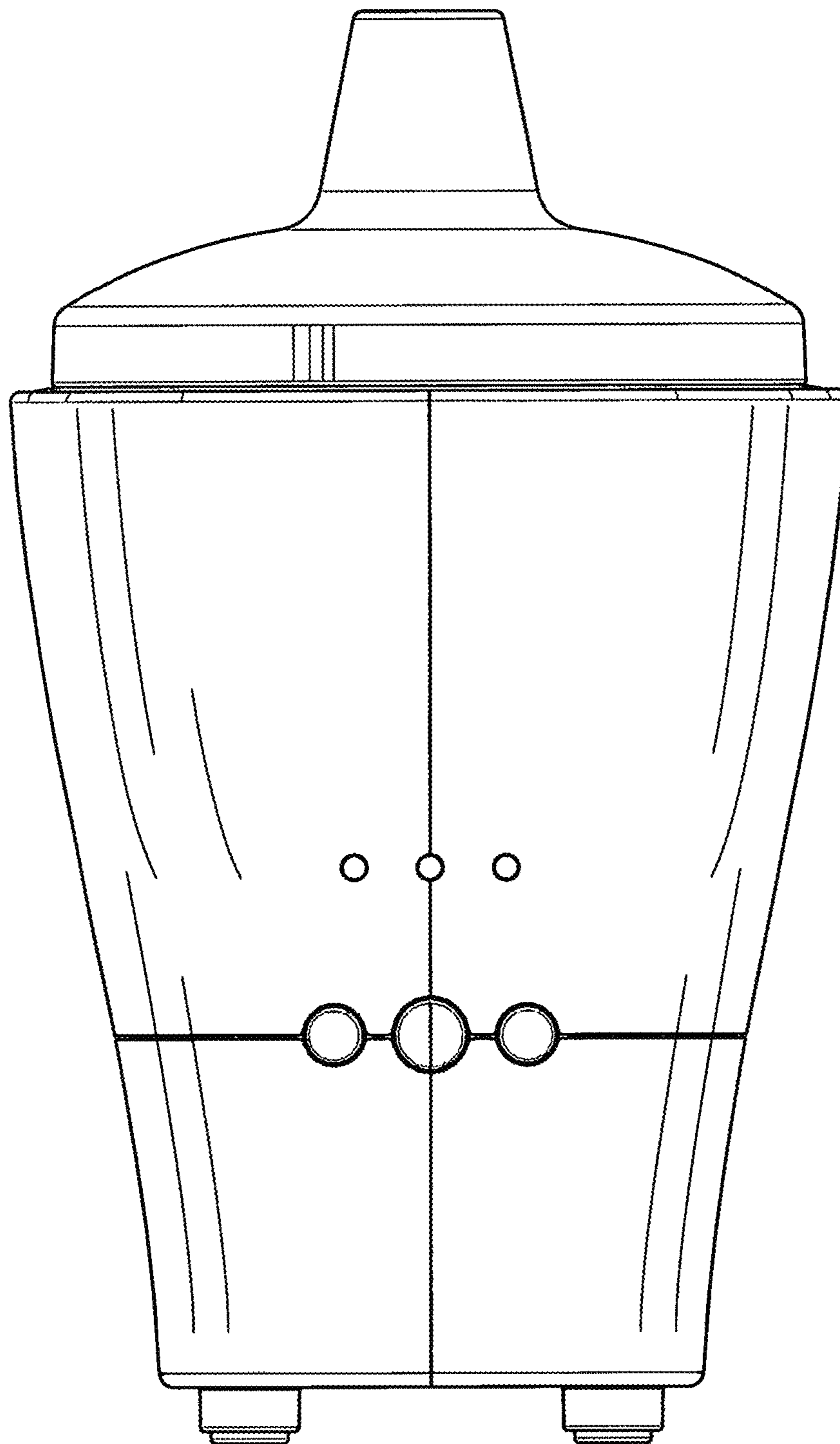


Figure 1

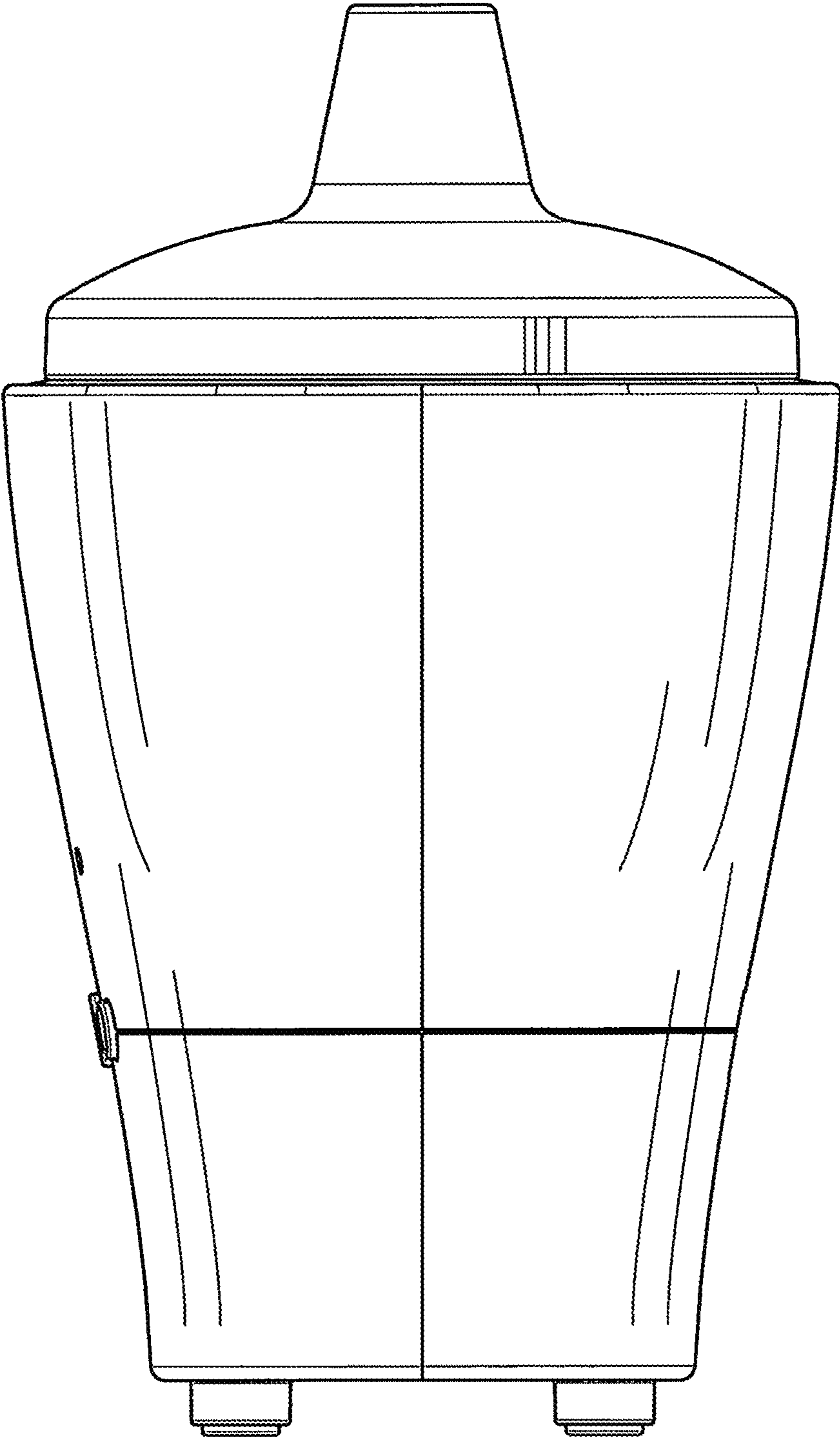


Figure 2

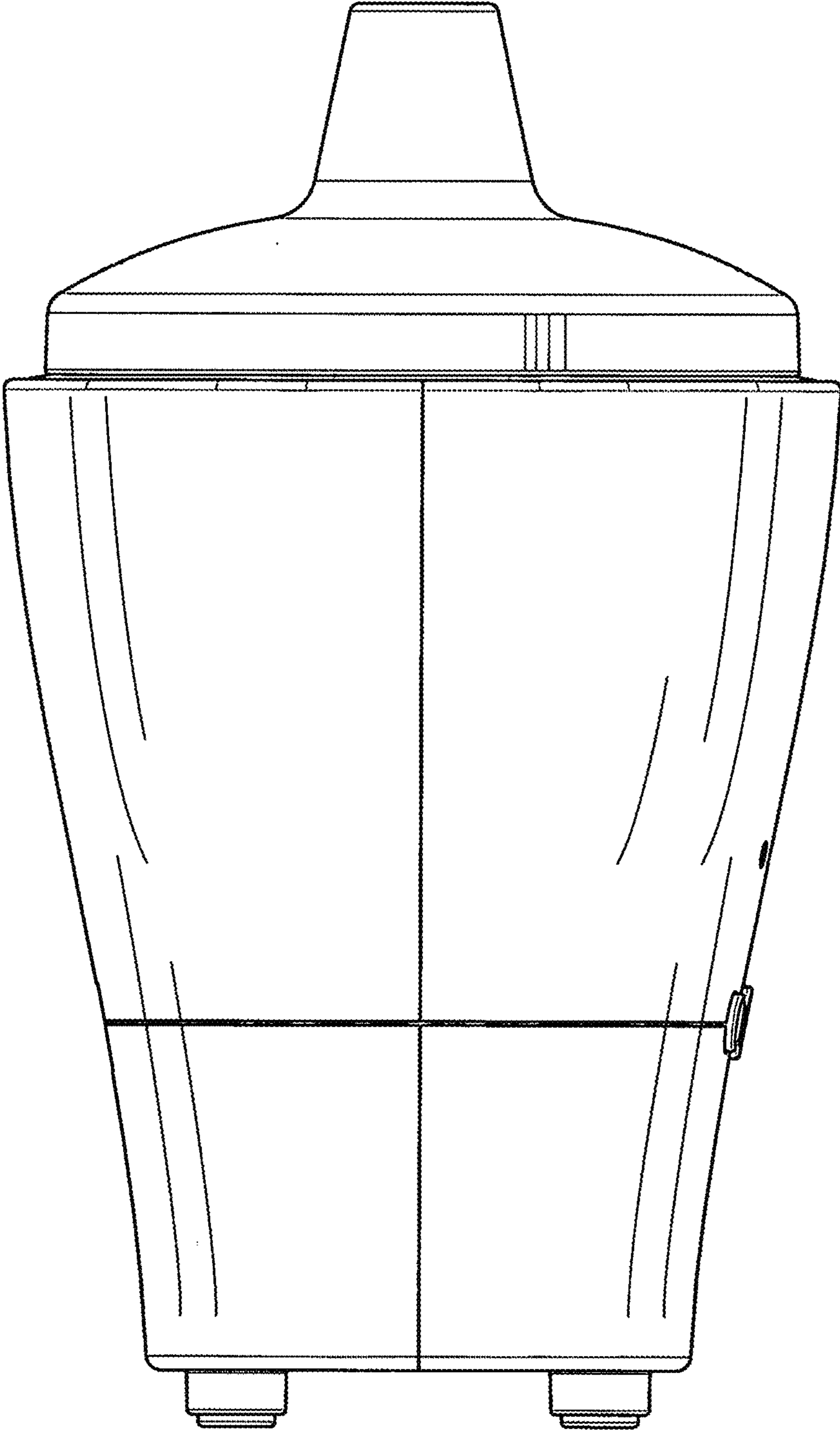


Figure 3

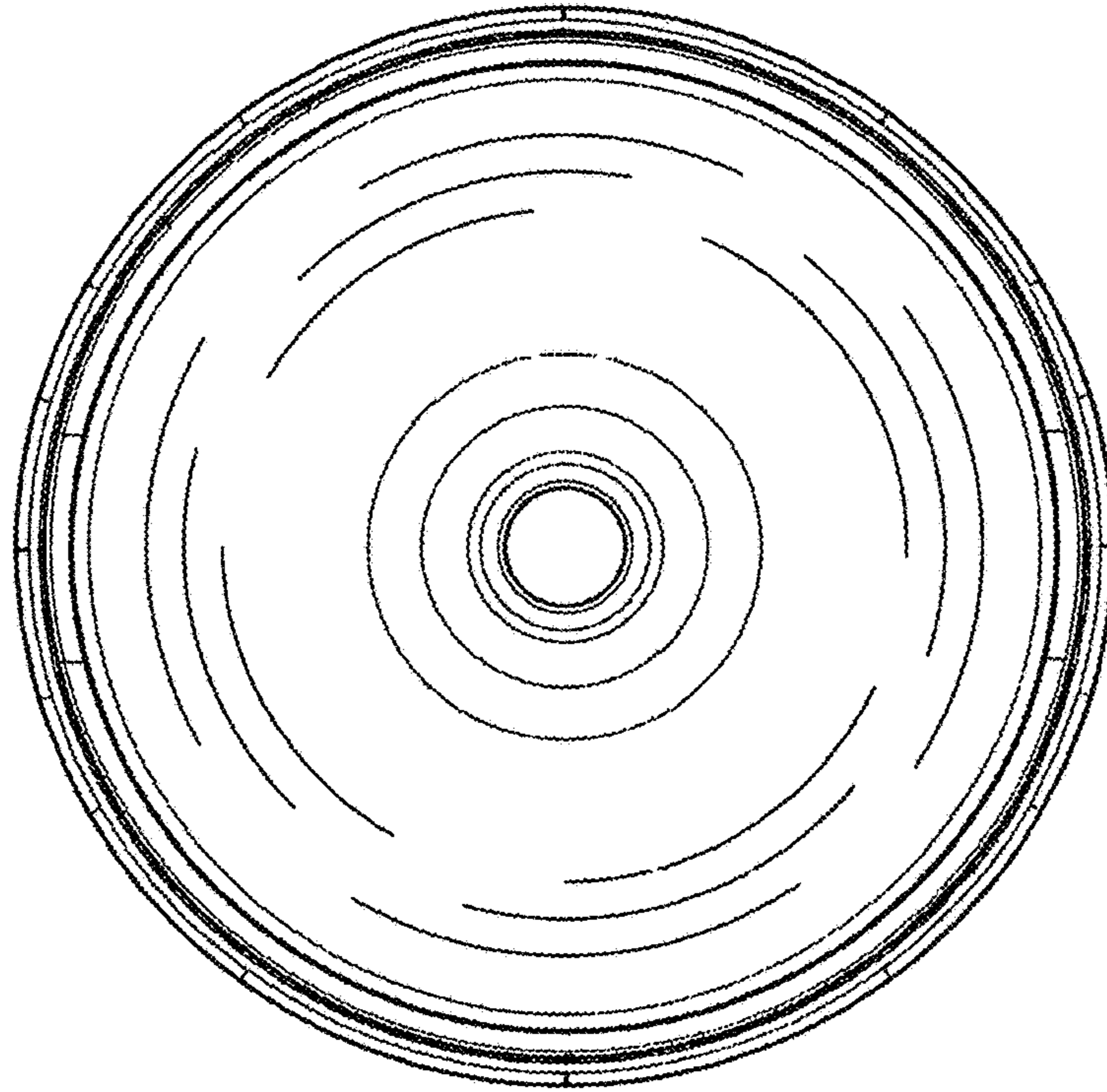


Figure 4

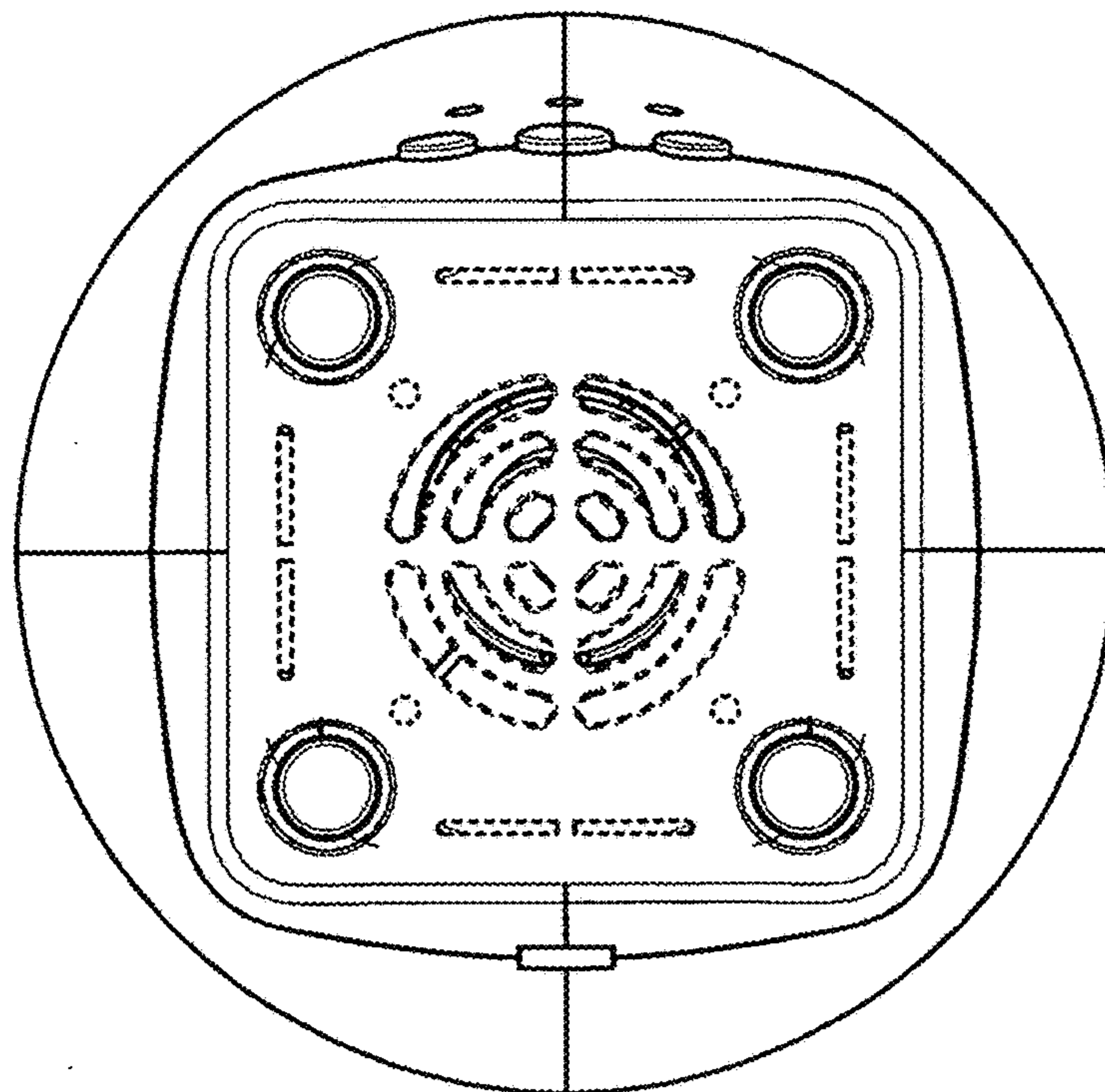


Figure 5

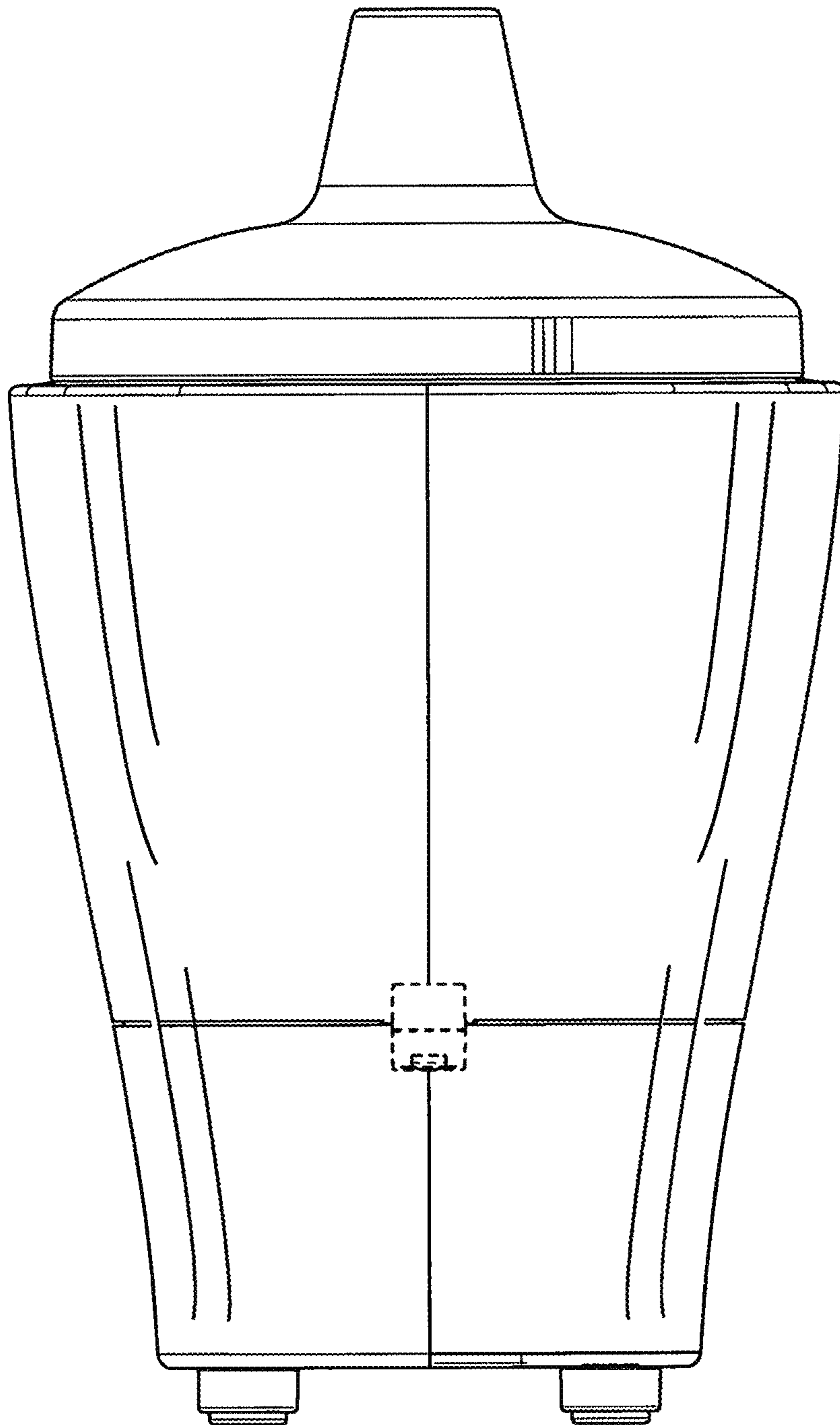


Figure 6

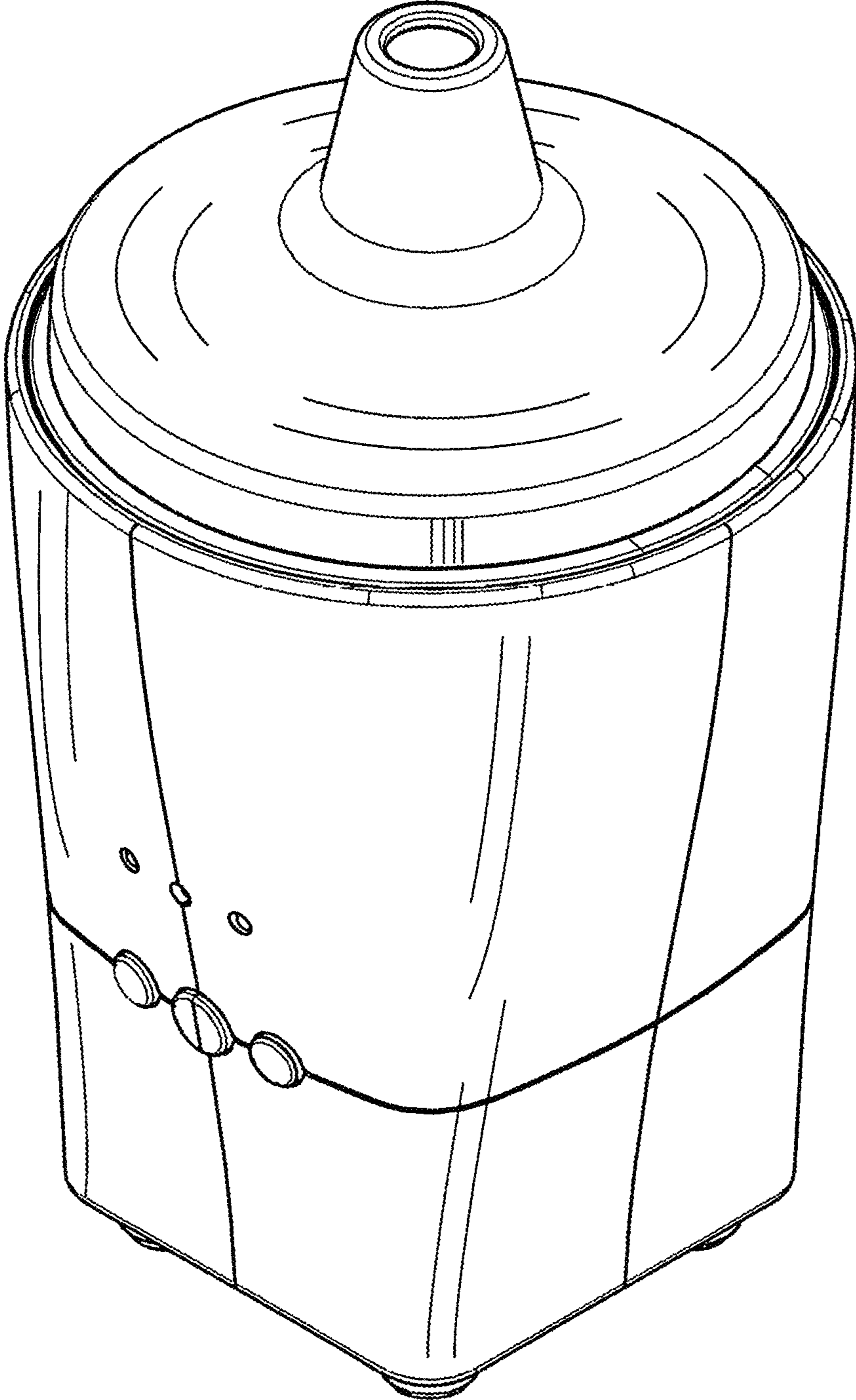


Figure 7