



US00D773622S

(12) **United States Design Patent** (10) **Patent No.:** **US D773,622 S**
Robb (45) **Date of Patent:** **** Dec. 6, 2016**

(54) **CAMPFIRE STOVE AND FIRE PIT** 2,928,385 A * 3/1960 Peplin A47J 37/0763
126/25 R
(71) Applicant: **Michael V Robb**, Trinidad, CO (US) 3,378,002 A 4/1968 Hink
3,498,210 A 3/1970 O'Toole
(72) Inventor: **Michael V Robb**, Trinidad, CO (US) 3,511,222 A 5/1970 Miller
3,742,839 A 7/1973 Maley
(**) Term: **14 Years** 3,851,639 A 12/1974 Beddoe
3,938,494 A 2/1976 Clark
4,077,387 A 3/1978 Bateman
(21) Appl. No.: **29/523,726** 4,651,708 A 3/1987 Groeneweg
5,203,316 A 4/1993 Pritchett
(22) Filed: **Apr. 13, 2015** (Continued)

Related U.S. Application Data

(63) Continuation of application No. 13/470,916, filed on May 14, 2012, now Pat. No. 9,027,543.
(51) **LOC (10) Cl.** **23-03**
(52) **U.S. Cl.**
USPC **D23/343**
(58) **Field of Classification Search**
USPC D23/317, 314, 332, 333, 334, 335,
337,D23/342, 351, 355, 378, 370, 381,
364, 336,D23/341, 343, 348, 401; 126/30;
D7/332, 333, D7/334, 335, 336, 337, 402,
403, 404, 405, D7/352, 323, 347, 339
CPC F24C 1/16; F24C 5/00; A47J 33/00;
A47J 37/07; A47J 37/0763; F24B 1/18;
F24B 1/182; F24B 1/1808; F24B 1/181;
F24B 1/191; F24B 1/195
See application file for complete search history.

Primary Examiner — T. Chase Nelson
Assistant Examiner — Ania Aman
(74) *Attorney, Agent, or Firm* — Trenner Law Firm, LLC;
Mark D. Trenner

(57) **CLAIM**

The ornamental design for a campfire stove and fire pit, as shown and described.

DESCRIPTION

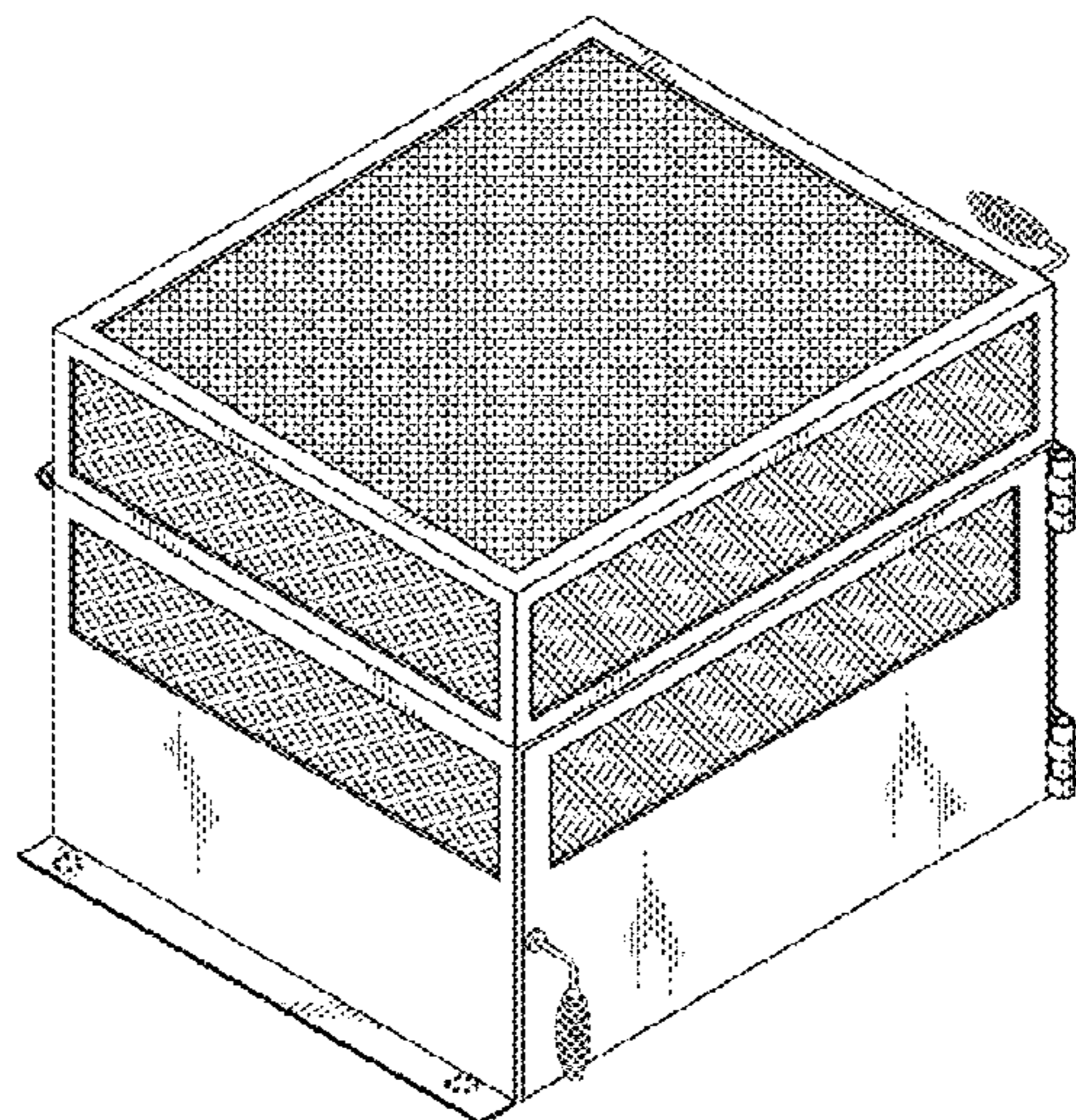
FIG. 1 is a perspective view of the campfire stove and fire pit design;
FIG. 2 is a front view of the design corresponding to FIG. 1;
FIG. 3 is a right-side view of the design corresponding to FIG. 1;
FIG. 4 is a left-side view of the design corresponding to FIG. 1;
FIG. 5 is a top view of the design corresponding to FIG. 1;
FIG. 6 is a bottom view of the design corresponding to FIG. 1;
FIG. 7 is a perspective view of the design corresponding to FIG. 1 with the lid shown in an open position; and,
FIG. 8 is a perspective view of the design corresponding to FIG. 1 with a door shown in an open position.
The openings are shown in phantom and do not form a part of the design.

(56) **References Cited**

U.S. PATENT DOCUMENTS

1,051,503 A * 1/1913 Klein A47J 37/0704
126/275 R
1,626,035 A * 4/1927 Hanson F24C 1/16
126/38
2,161,669 A 6/1939 Freeman
2,627,854 A 2/1953 Sava
2,747,566 A 5/1956 Werden

1 Claim, 6 Drawing Sheets



(56)

References Cited

U.S. PATENT DOCUMENTS

5,683,157 A * 11/1997 Peterson A47J 47/16
312/100
5,752,497 A 5/1998 Combs et al.
5,819,720 A 10/1998 Schubert
6,640,803 B2 11/2003 Davis et al.
D729,914 S * 5/2015 Kinchen D23/332
2012/0266760 A1 10/2012 Bryce
2013/0298895 A1 * 11/2013 Robb F24C 1/16
126/25 R
2015/0075511 A1 3/2015 Kramer

* cited by examiner

FIG. 1

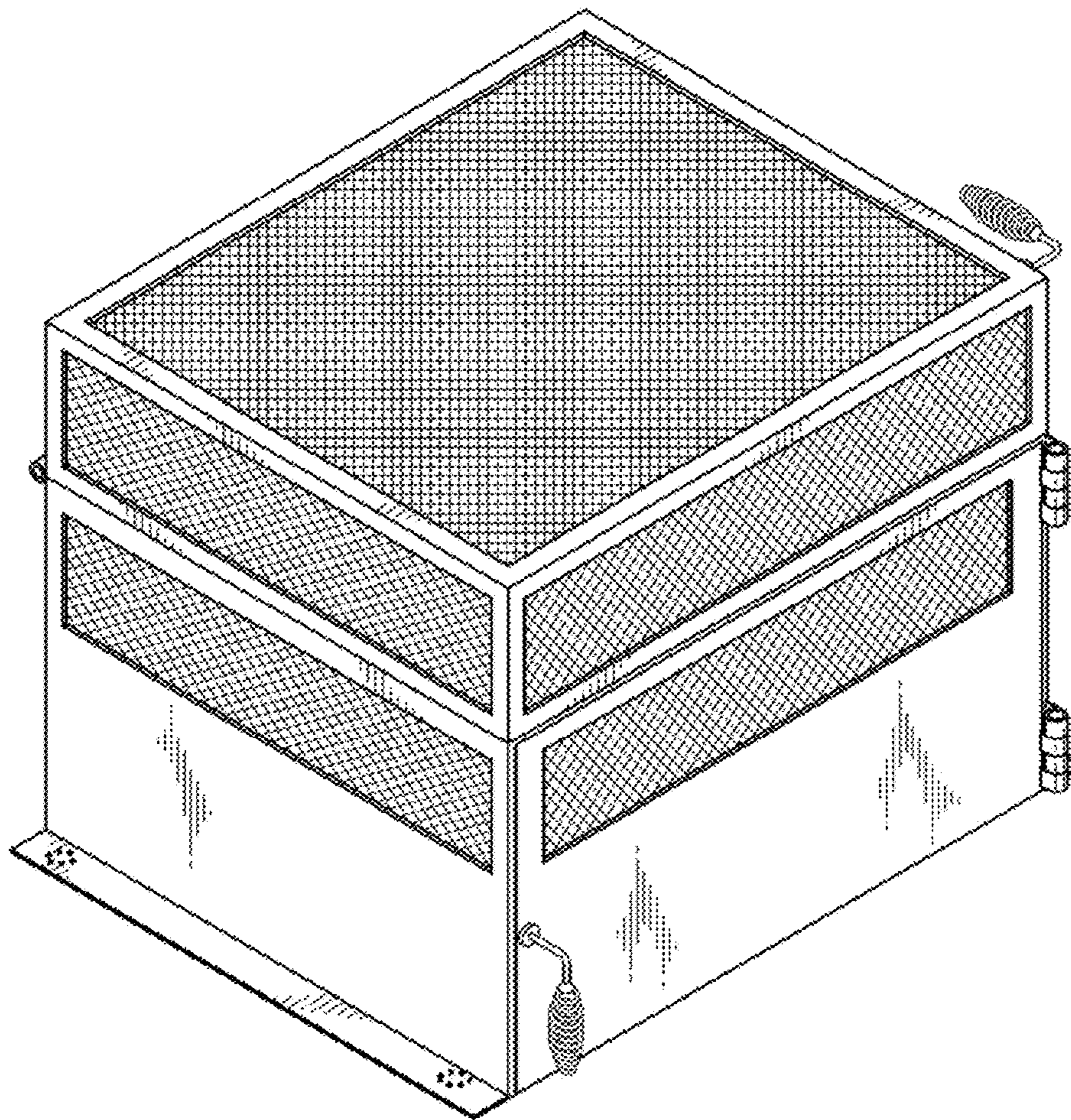


FIG. 2

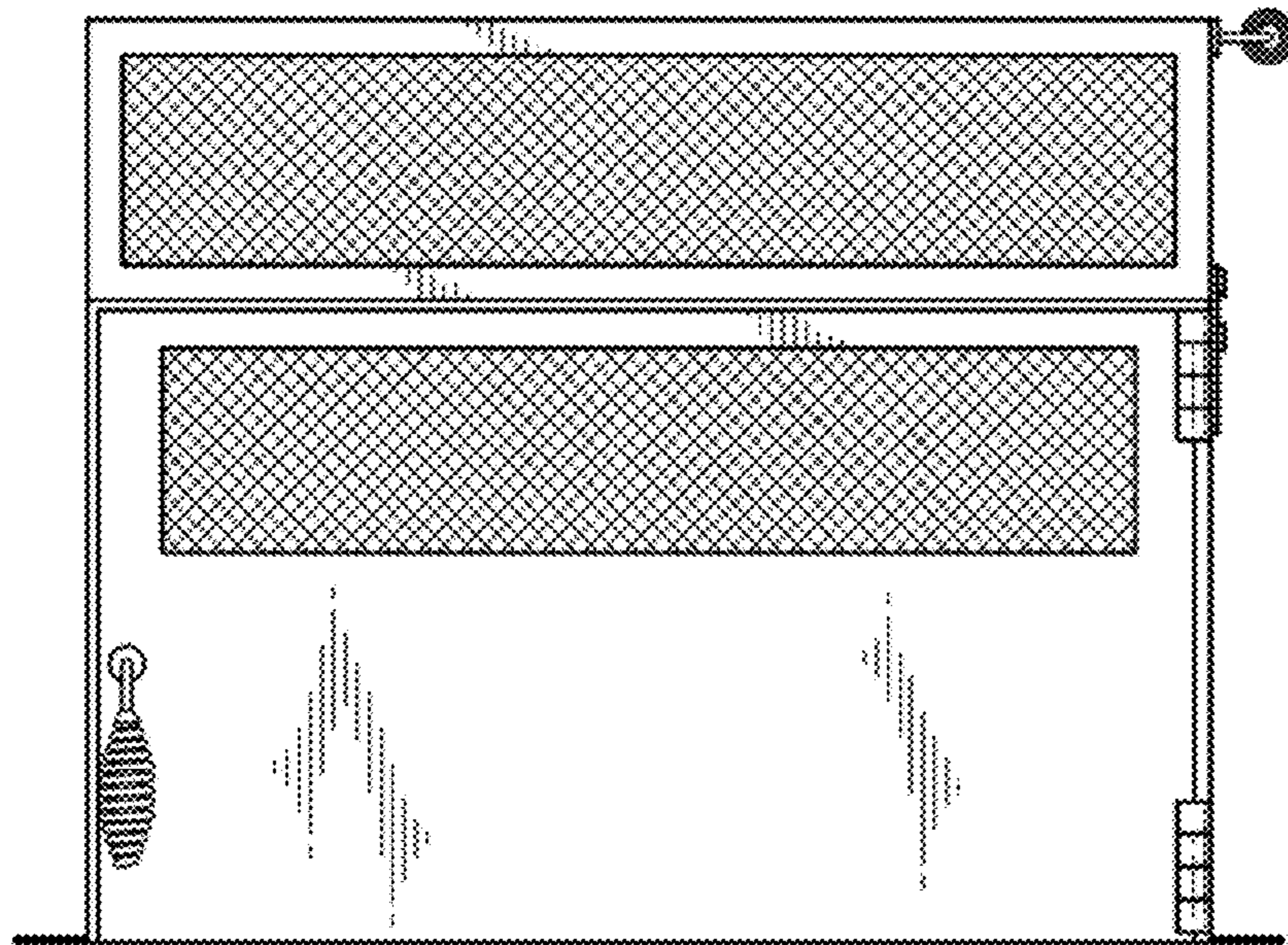


FIG. 3

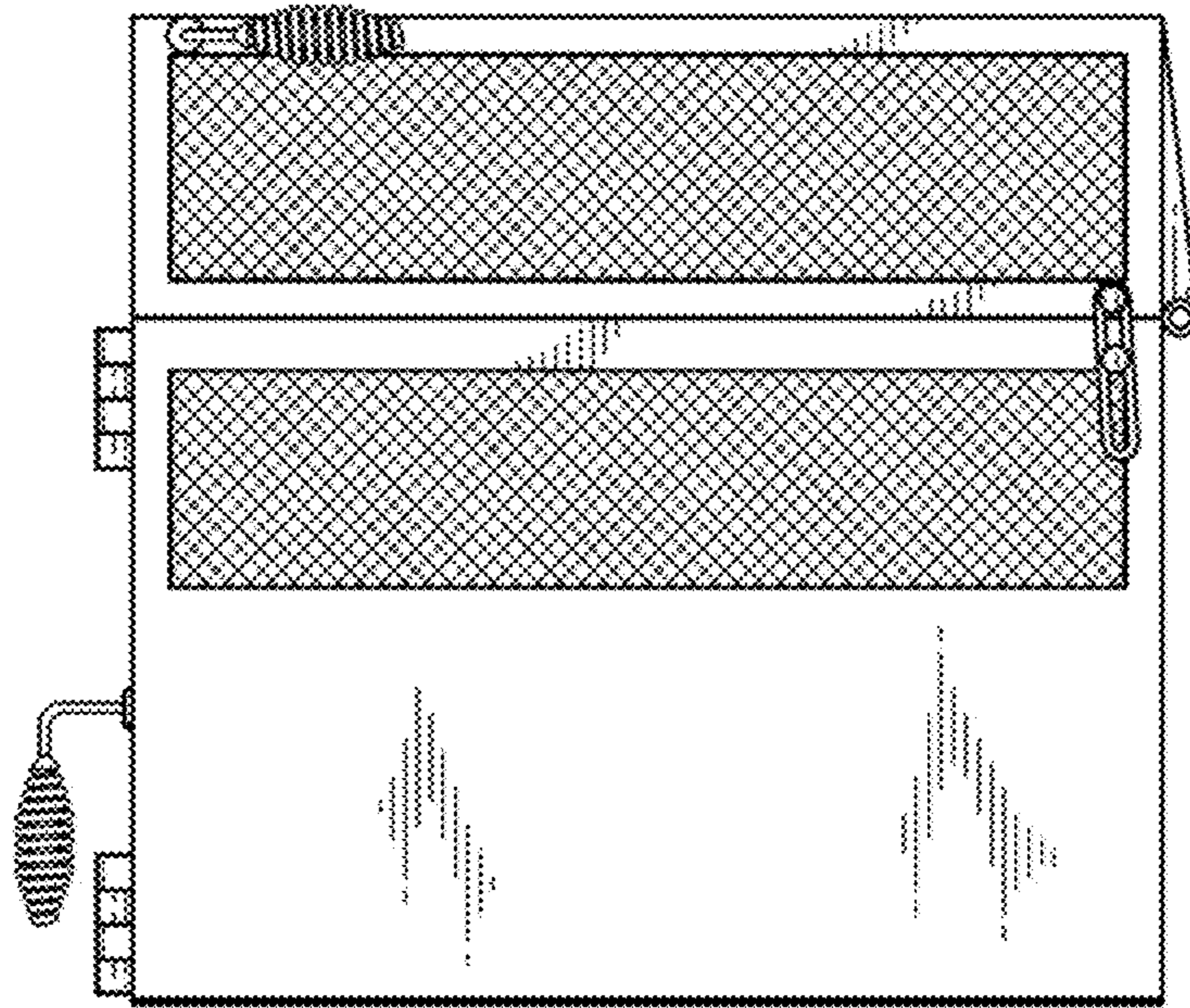


FIG. 4

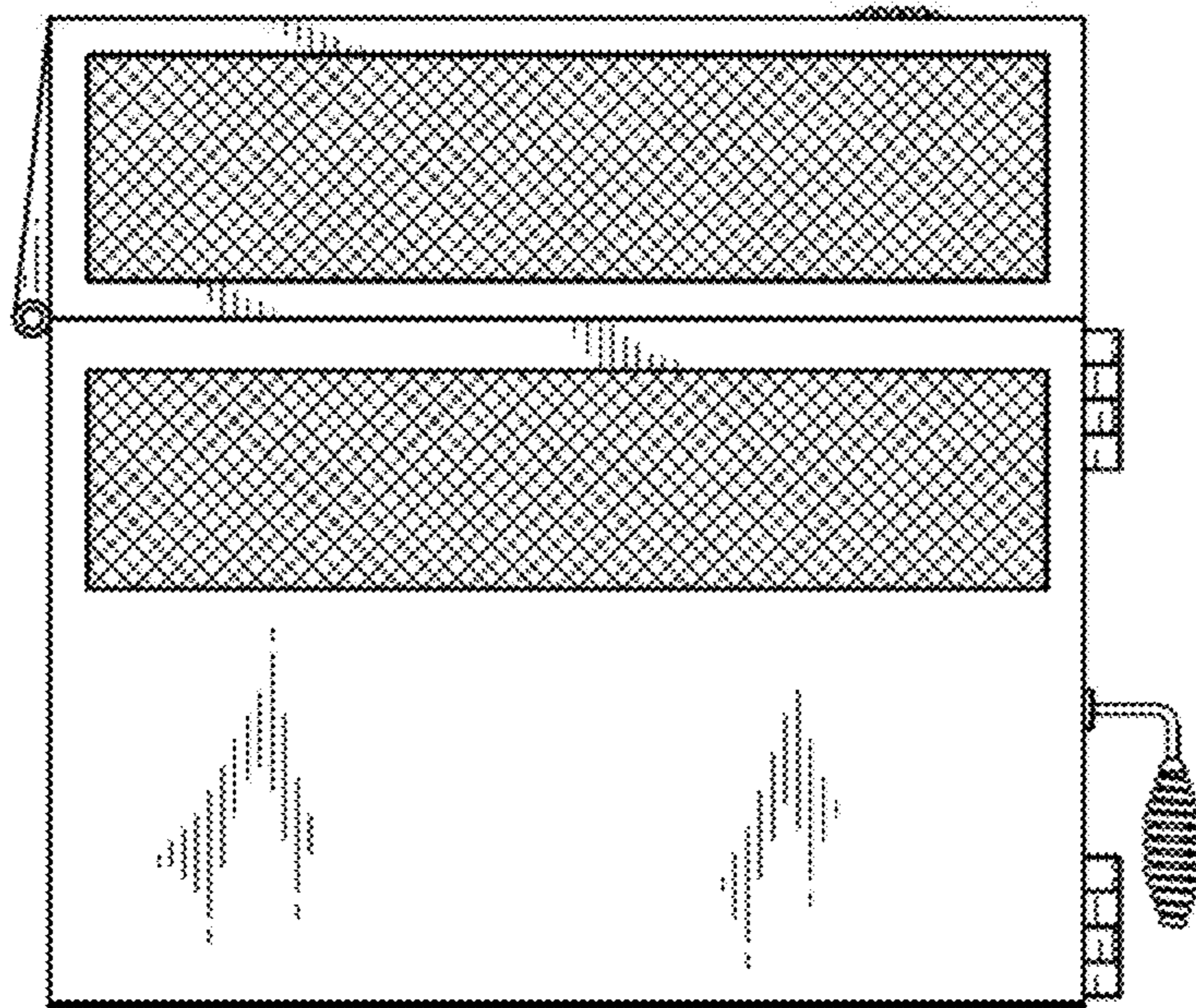


FIG. 5

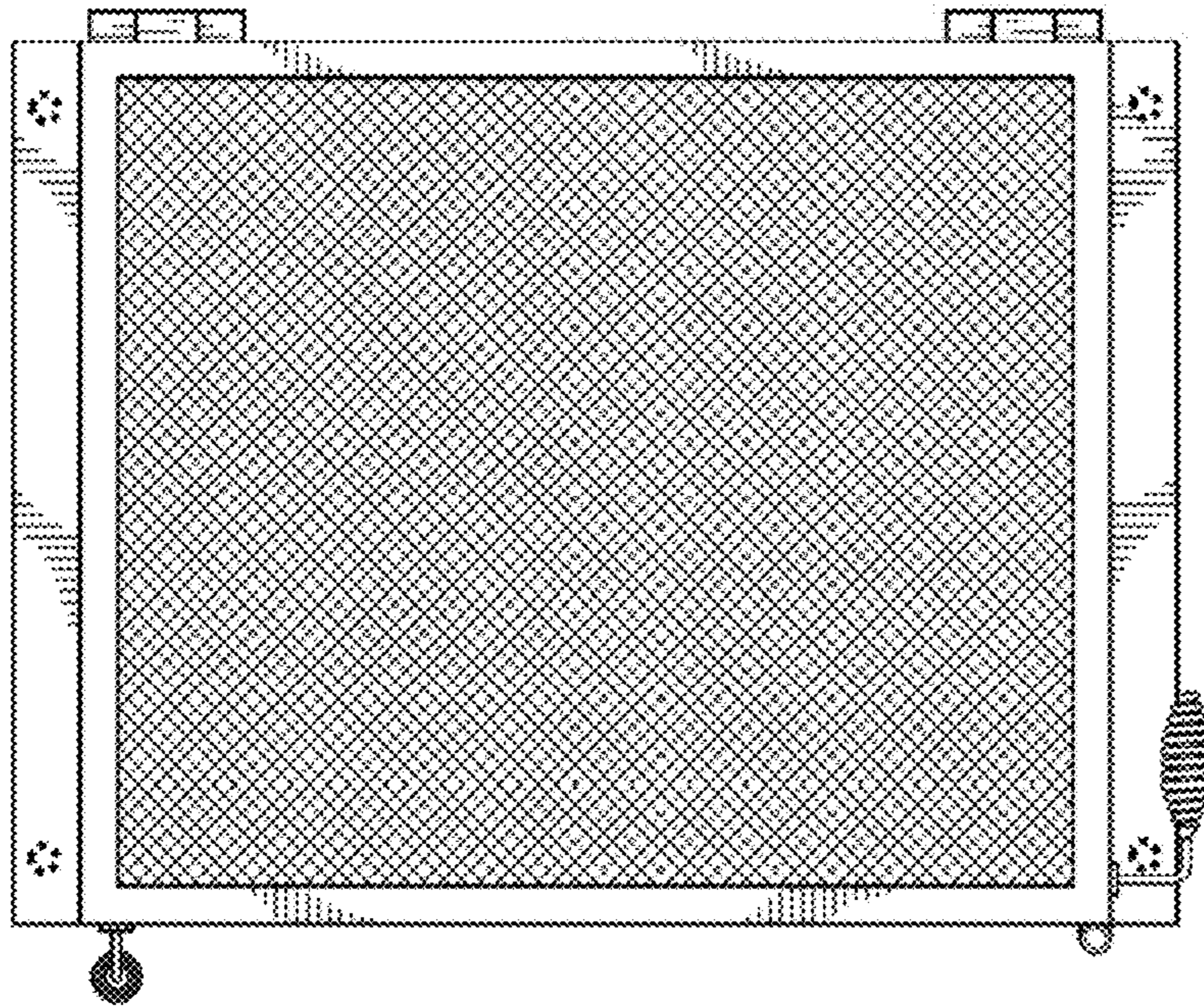


FIG. 6

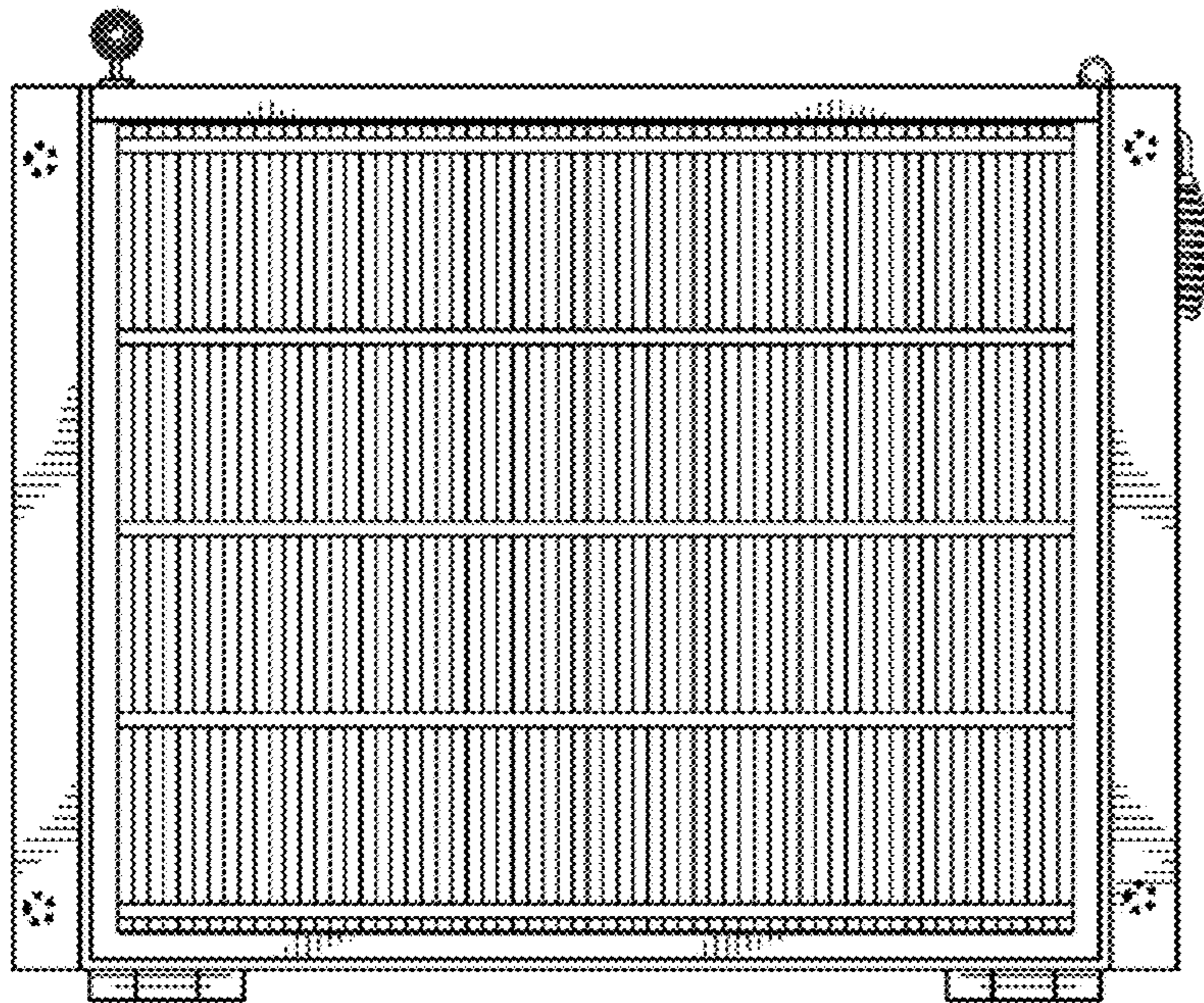
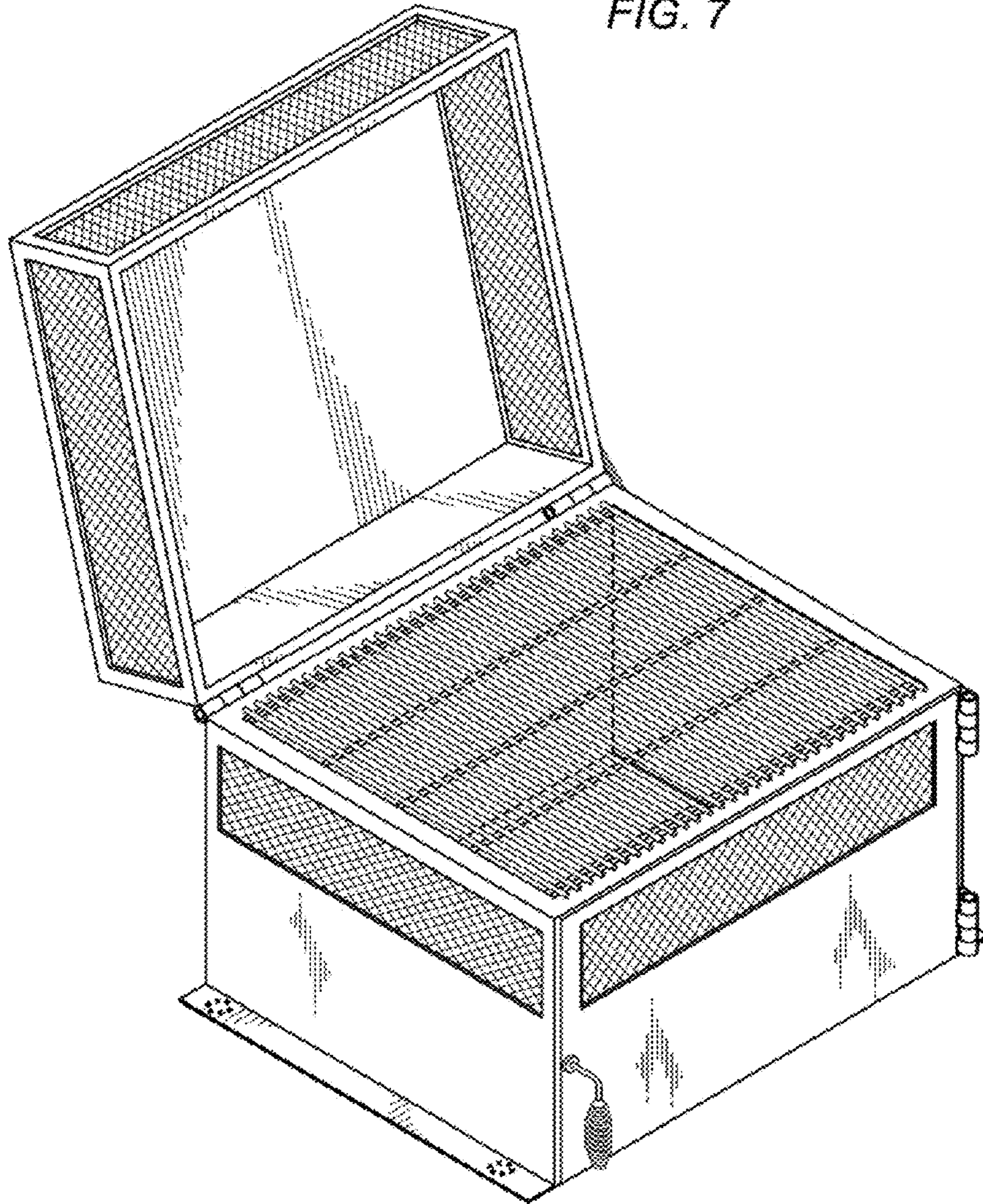


FIG. 7



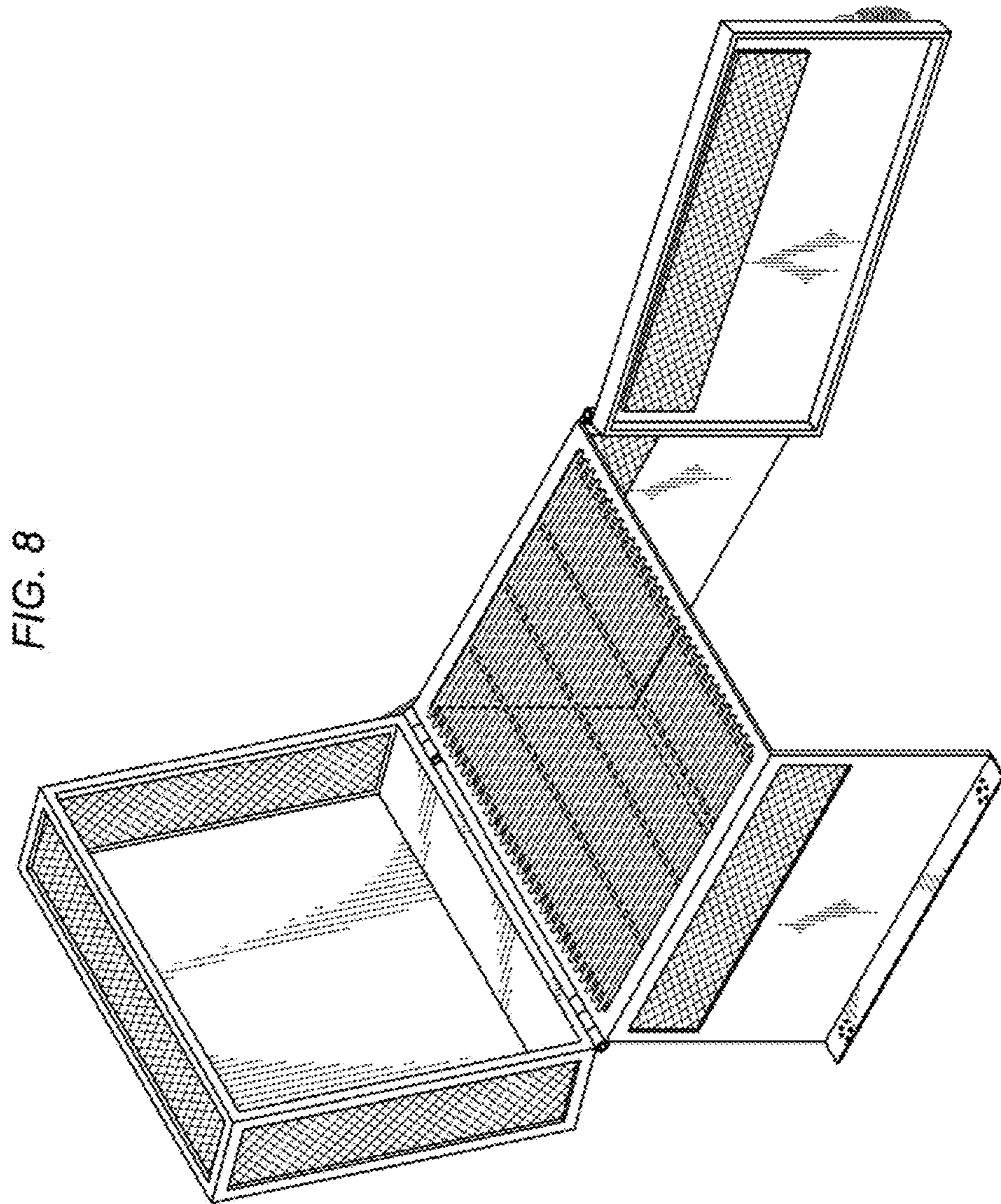


FIG. 8