



US00D773618S

(12) **United States Design Patent** (10) **Patent No.:** **US D773,618 S**  
**Lee et al.** (45) **Date of Patent:** **\*\* Dec. 6, 2016**

(54) **FAUCET**

(74) *Attorney, Agent, or Firm* — Alan D. Kamrath;  
Kamrath IP Lawfirm, P.A.

(71) Applicant: **Ching Shenger Co., Ltd.**, Xianxi  
Township, Changhua County (TW)

(72) Inventors: **Chin-Tsai Lee**, Xianxi Township (TW);  
**Ming-Che Lee**, Xianxi Township (TW)

(57) **CLAIM**  
The ornamental design for a faucet, as shown and described.

(73) Assignee: **Ching Shenger Co., Ltd.**, Xianxi  
Township (TW)

**DESCRIPTION**

(\*\*) Term: **15 Years**

FIG. 1 is a perspective view of a first embodiment of a faucet of the new design;

(21) Appl. No.: **29/536,394**

FIG. 2 is a front elevational view of the faucet of FIG. 1;

(22) Filed: **Aug. 17, 2015**

FIG. 3 is a rear elevational view of the faucet of FIG. 1;

(51) **LOC (10) Cl.** ..... **23-01**

FIG. 4 is a left side elevational view of the faucet of FIG. 1;

(52) **U.S. Cl.**  
USPC ..... **D23/255**

FIG. 5 is a right side elevational view of the faucet of FIG. 1;

(58) **Field of Classification Search**  
USPC ..... D23/238, 241–243, 249, 255, 257

FIG. 6 is a top plan view of the faucet of FIG. 1;

CPC ..... E03C 1/04; E03C 1/0401; E03C 1/0402;  
E03C 1/0404; F16K 31/602; F16K 31/605;  
F16K 31/607

FIG. 7 is a bottom plan view of the faucet of FIG. 1;

See application file for complete search history.

FIG. 8 is a second perspective view of the first embodiment of the faucet, wherein the broken line showing of a faucet handle is provided for illustrative purposes only and forms no part of the claimed design;

(56) **References Cited**

**U.S. PATENT DOCUMENTS**

D317,349 S *	6/1991	Rodstein	.....	D23/242
D517,169 S *	3/2006	Ogata	.....	D23/238
D522,092 S *	5/2006	Hoernig	.....	D23/238
D575,851 S *	8/2008	Ko	.....	D23/241
D691,242 S *	10/2013	Gessi	.....	D23/238

FIG. 9 is a perspective view of a second embodiment of a faucet of the new design;

\* cited by examiner

FIG. 10 is a front elevational view of the faucet of FIG. 9;

FIG. 11 is a rear elevational view of the faucet of FIG. 9;

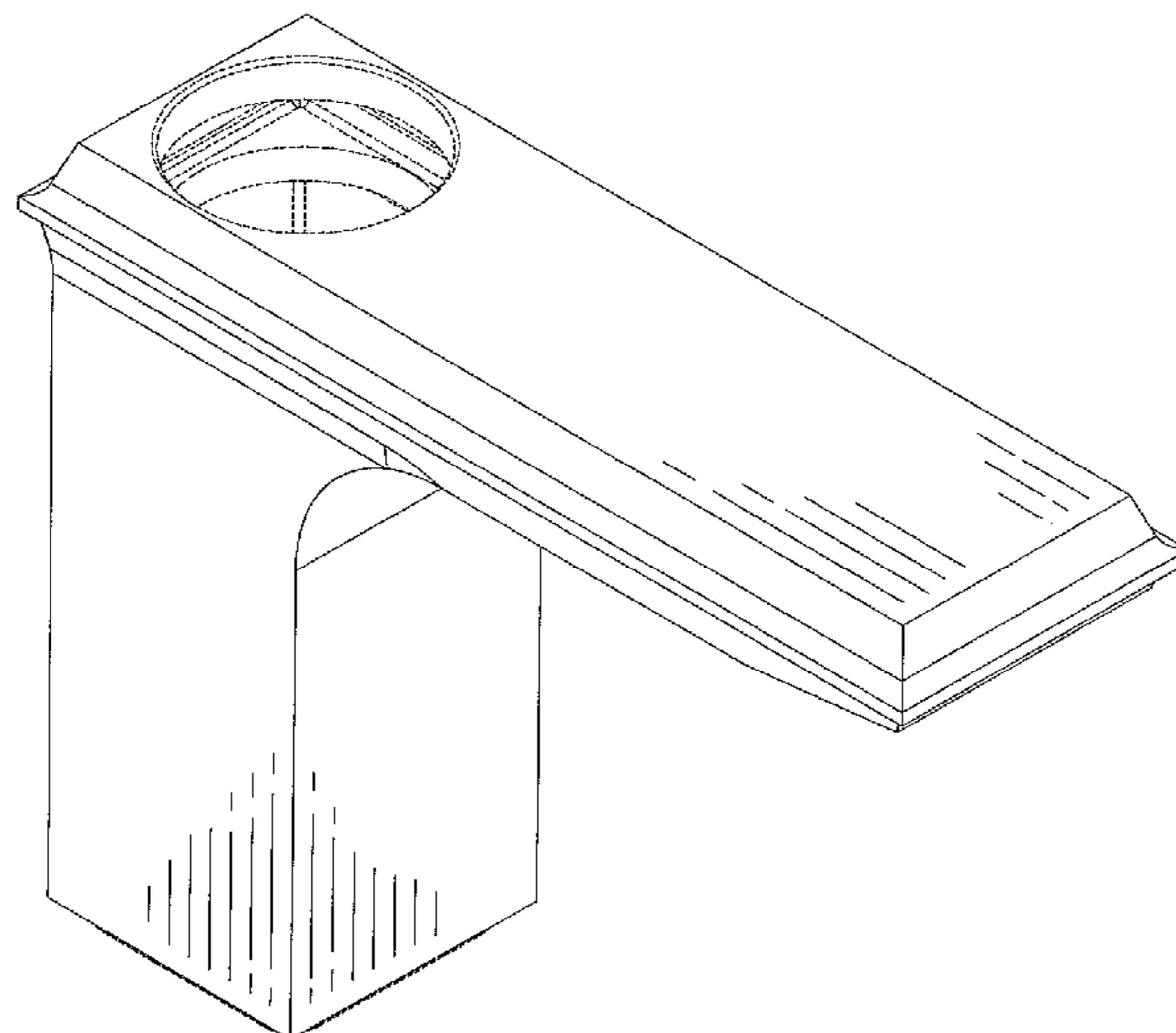
FIG. 12 is a left side elevational view of the faucet of FIG. 9;

FIG. 13 is a right side elevational view of the faucet of FIG. 9;

FIG. 14 is a top plan view of the faucet of FIG. 9; and,  
FIG. 15 is a bottom plan view of the faucet of FIG. 9.  
The portions of the figures shown in broken lines are not part of the claimed design and are for illustration only.

*Primary Examiner* — Robert Delehanty

**1 Claim, 15 Drawing Sheets**



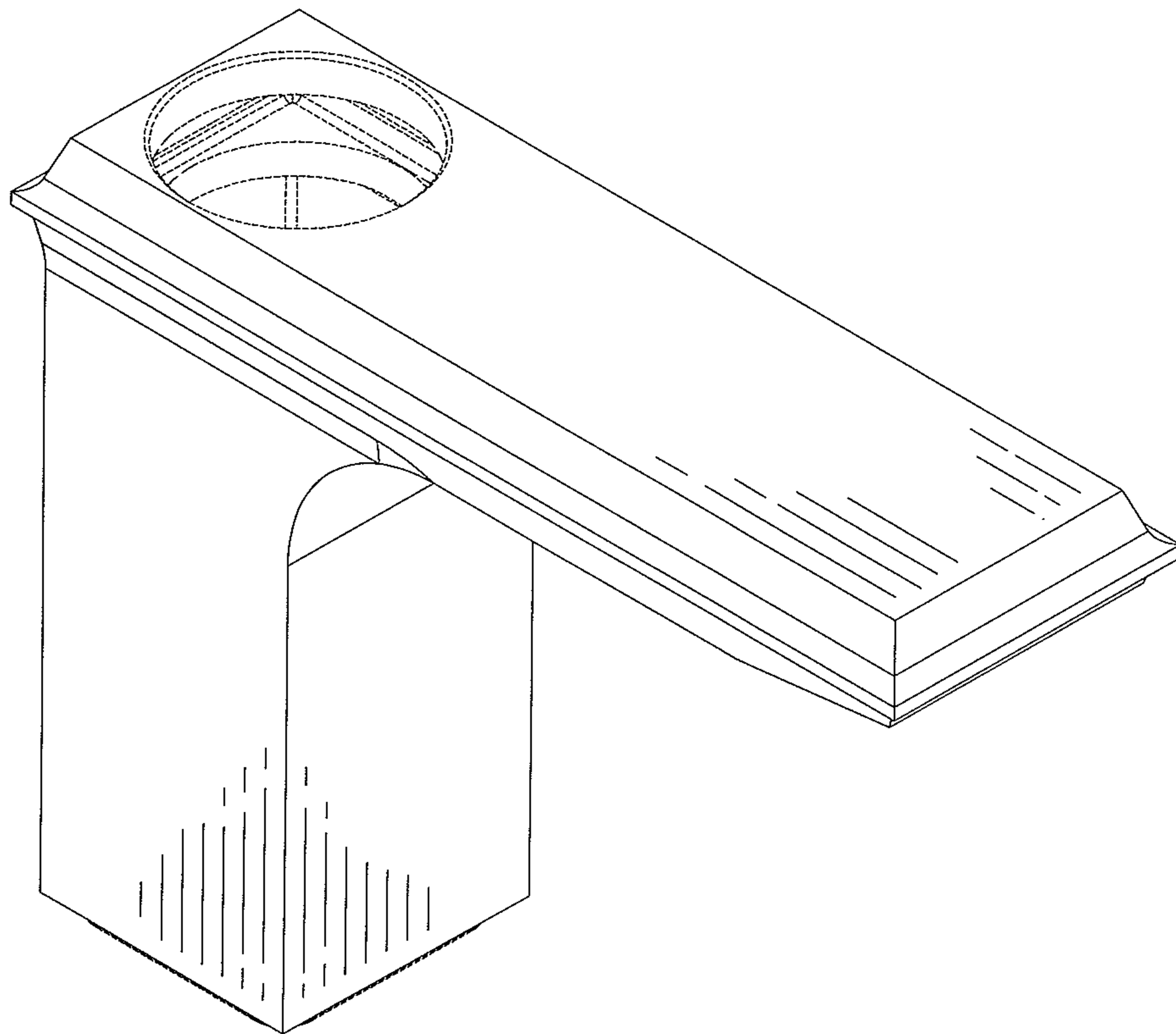


FIG. 1

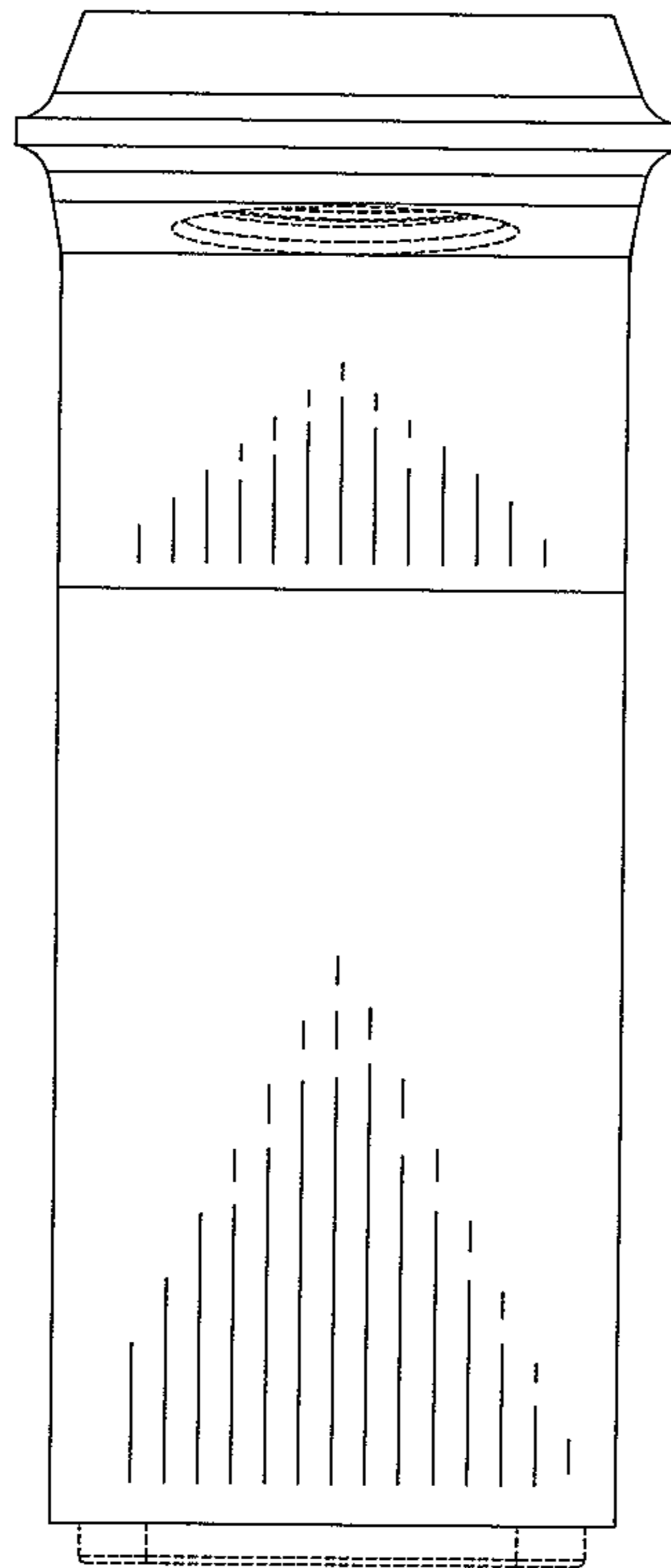


FIG. 2

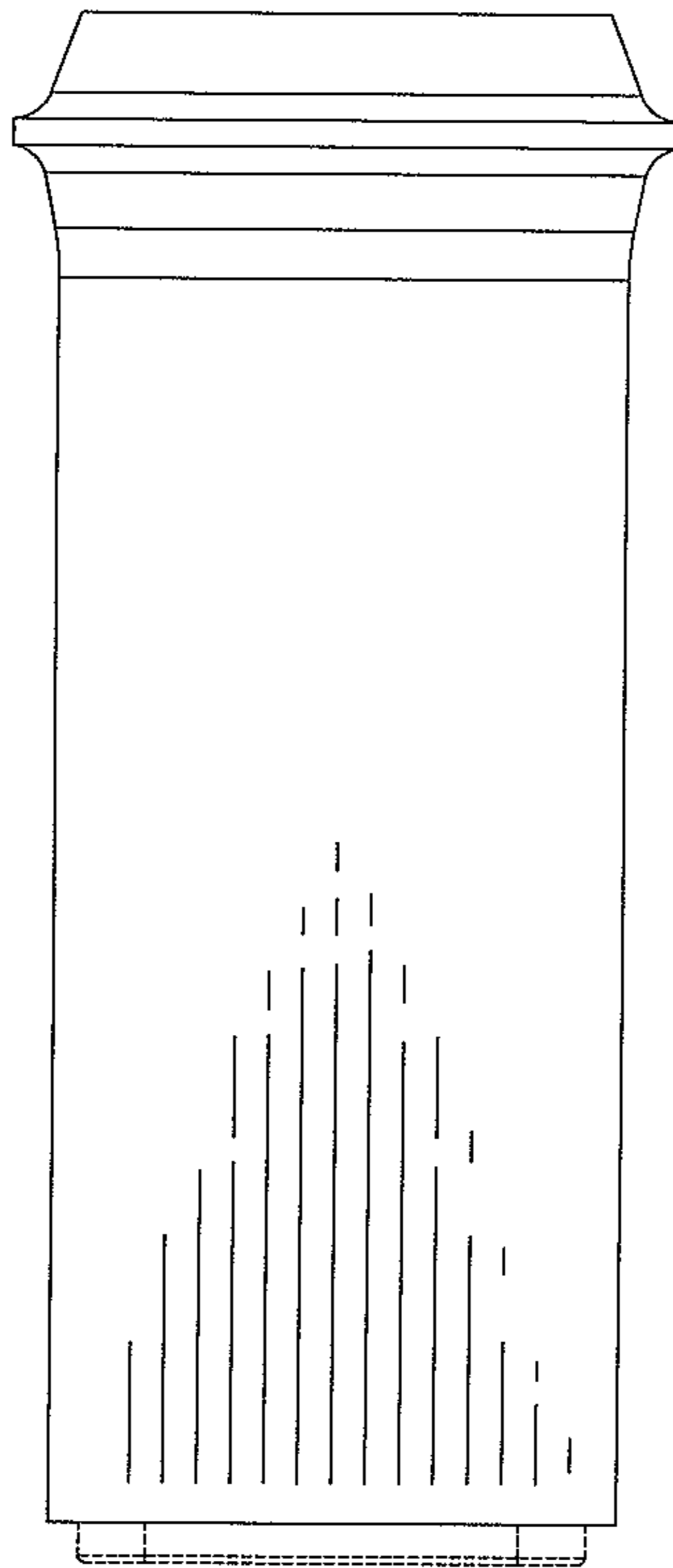


FIG. 3

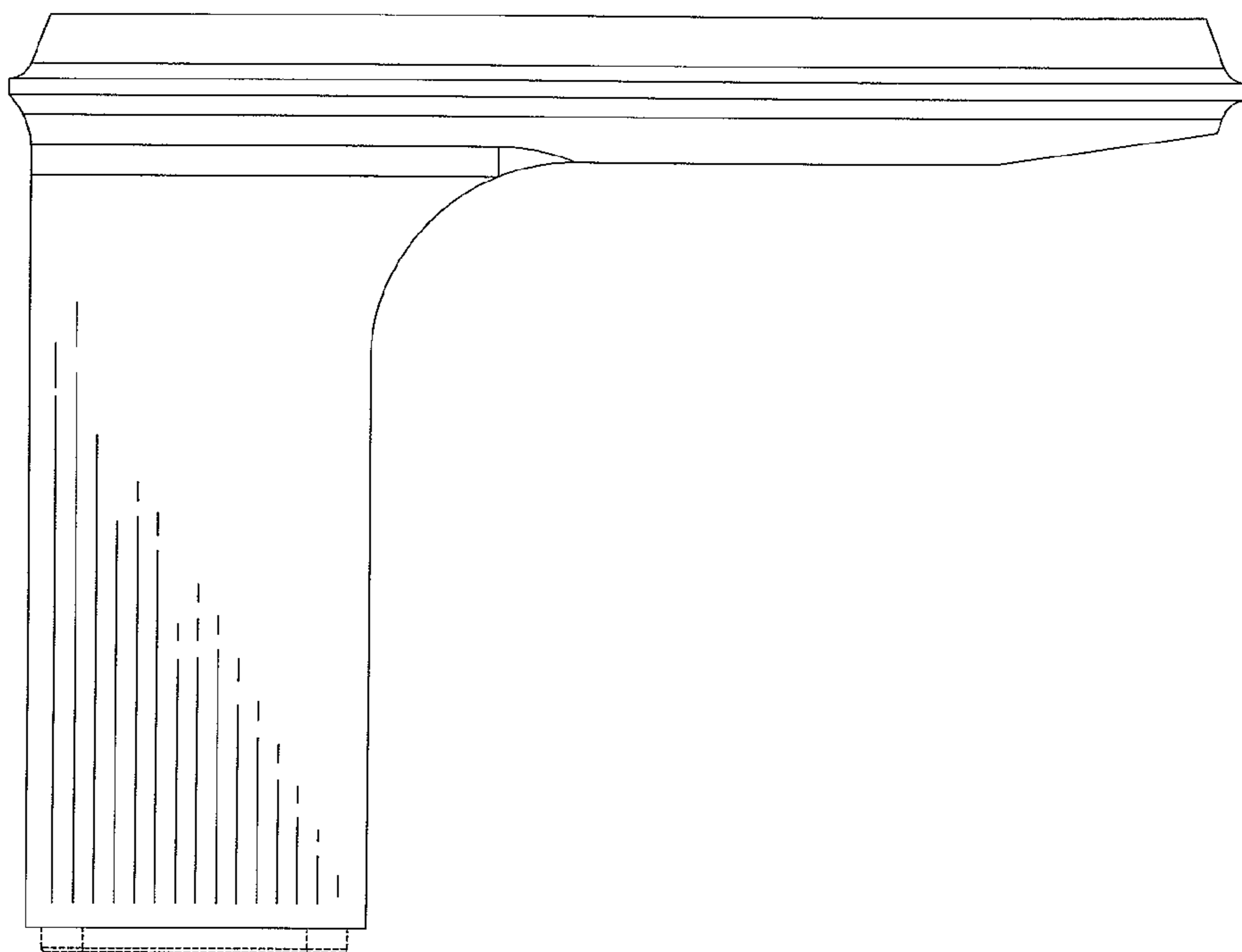


FIG. 4

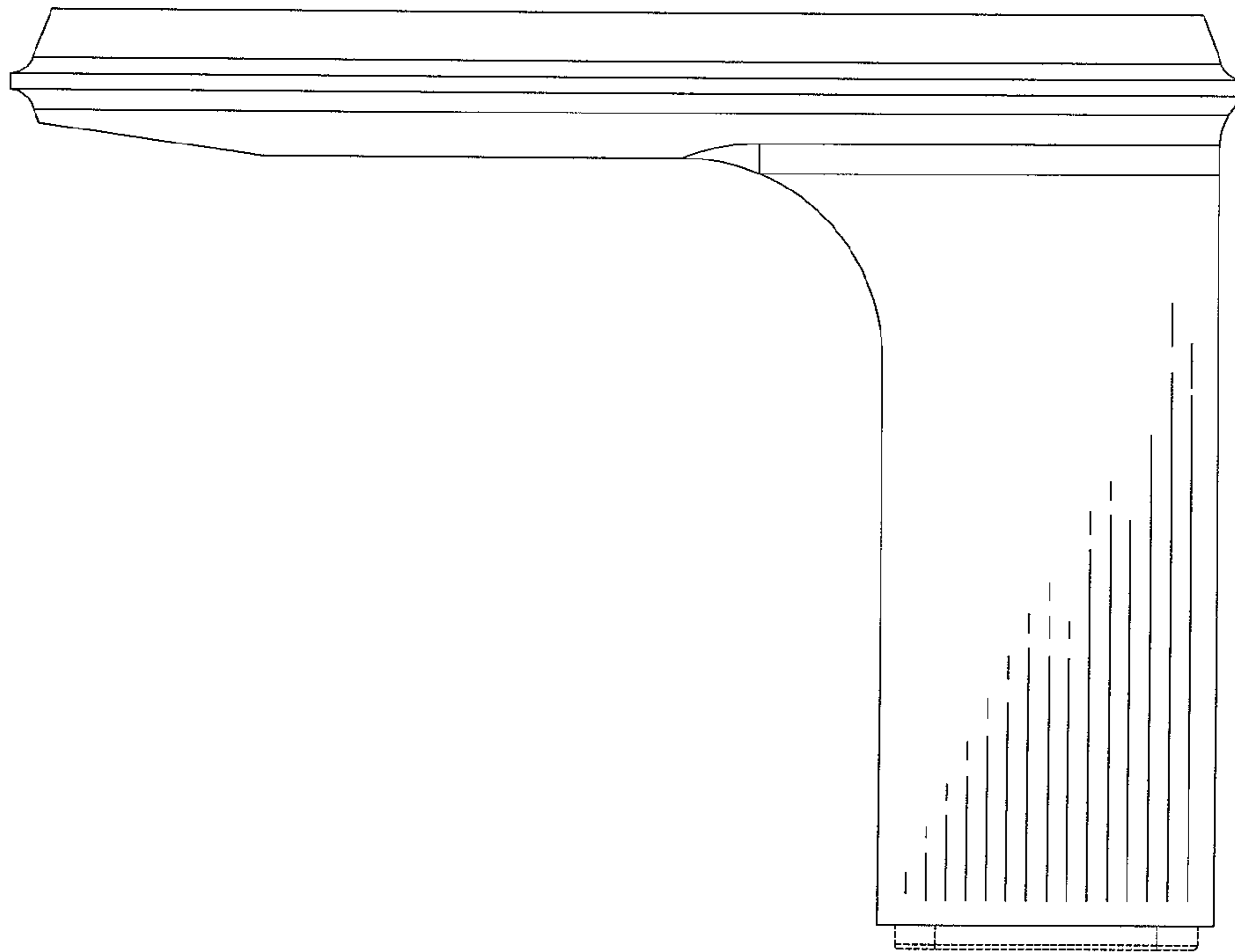


FIG. 5

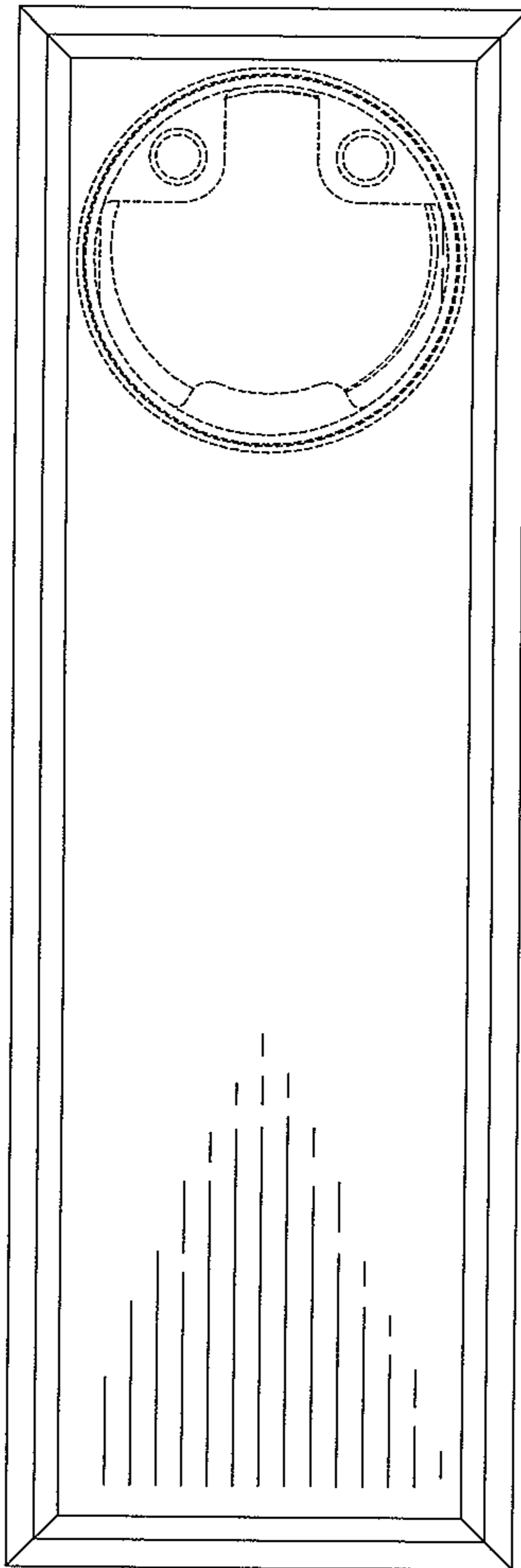


FIG. 6

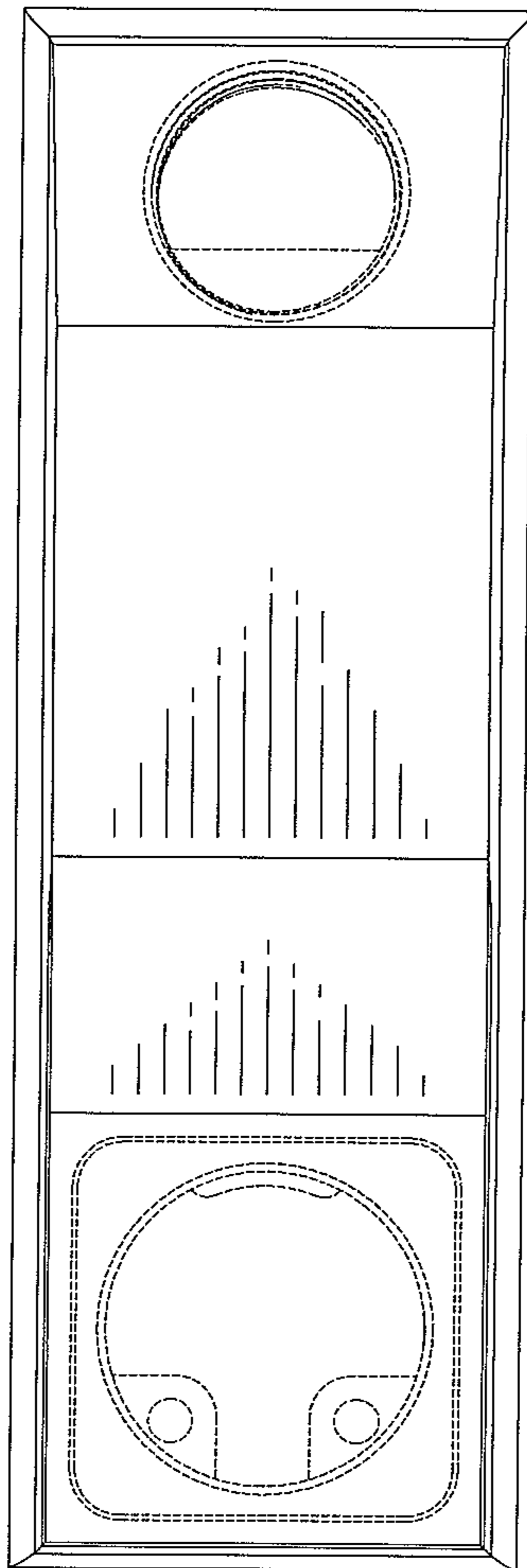


FIG. 7



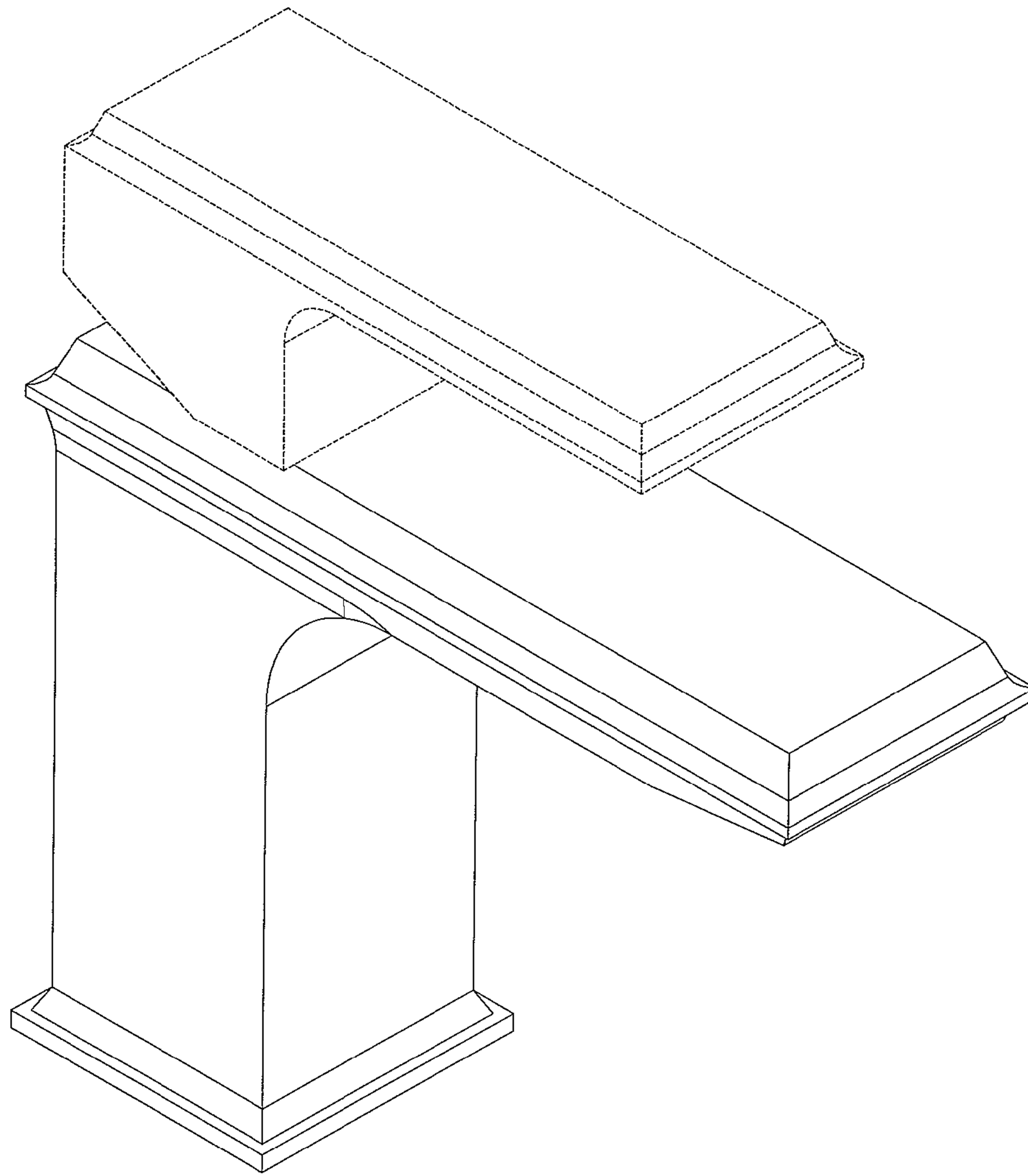


FIG. 8

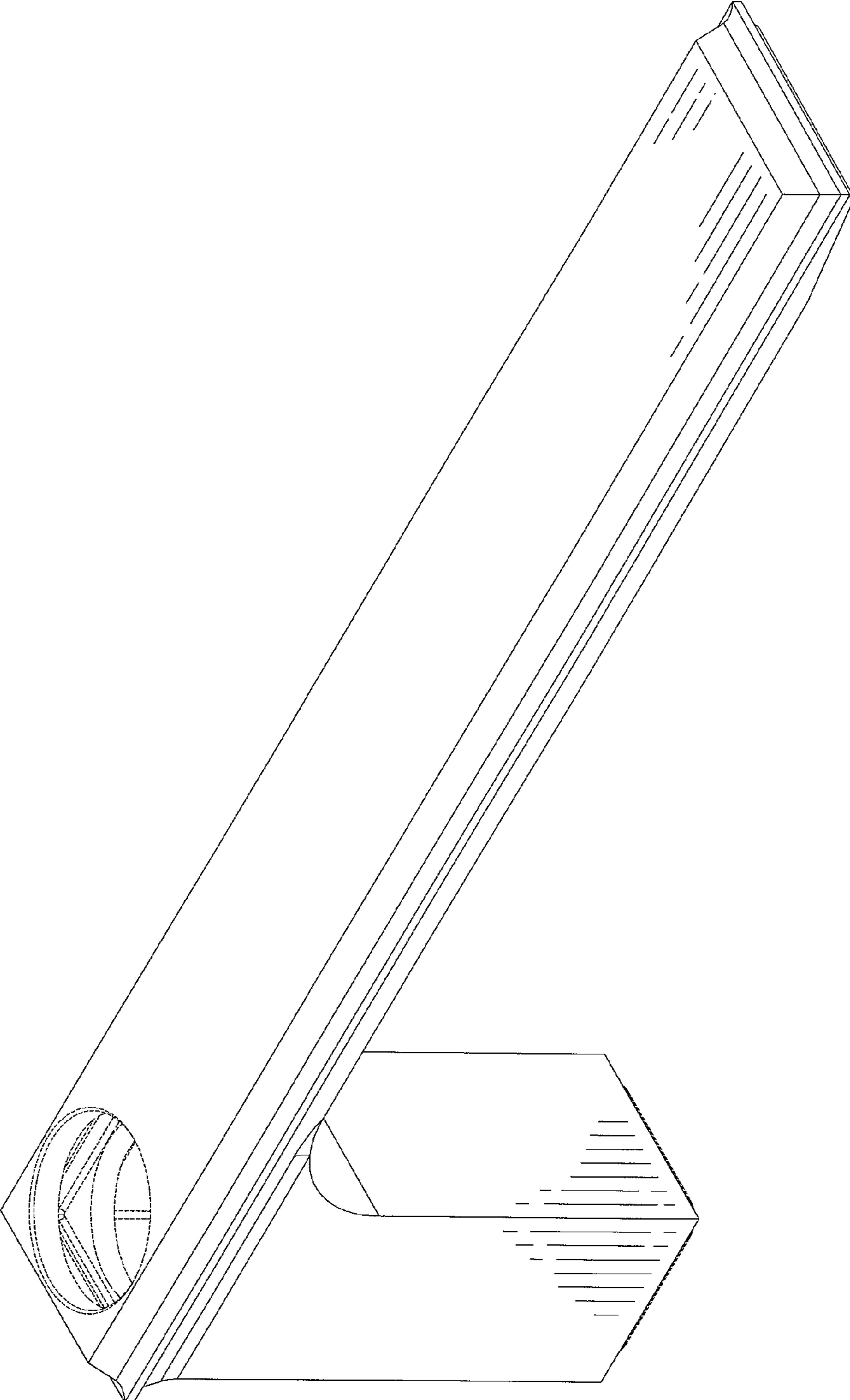


FIG. 9

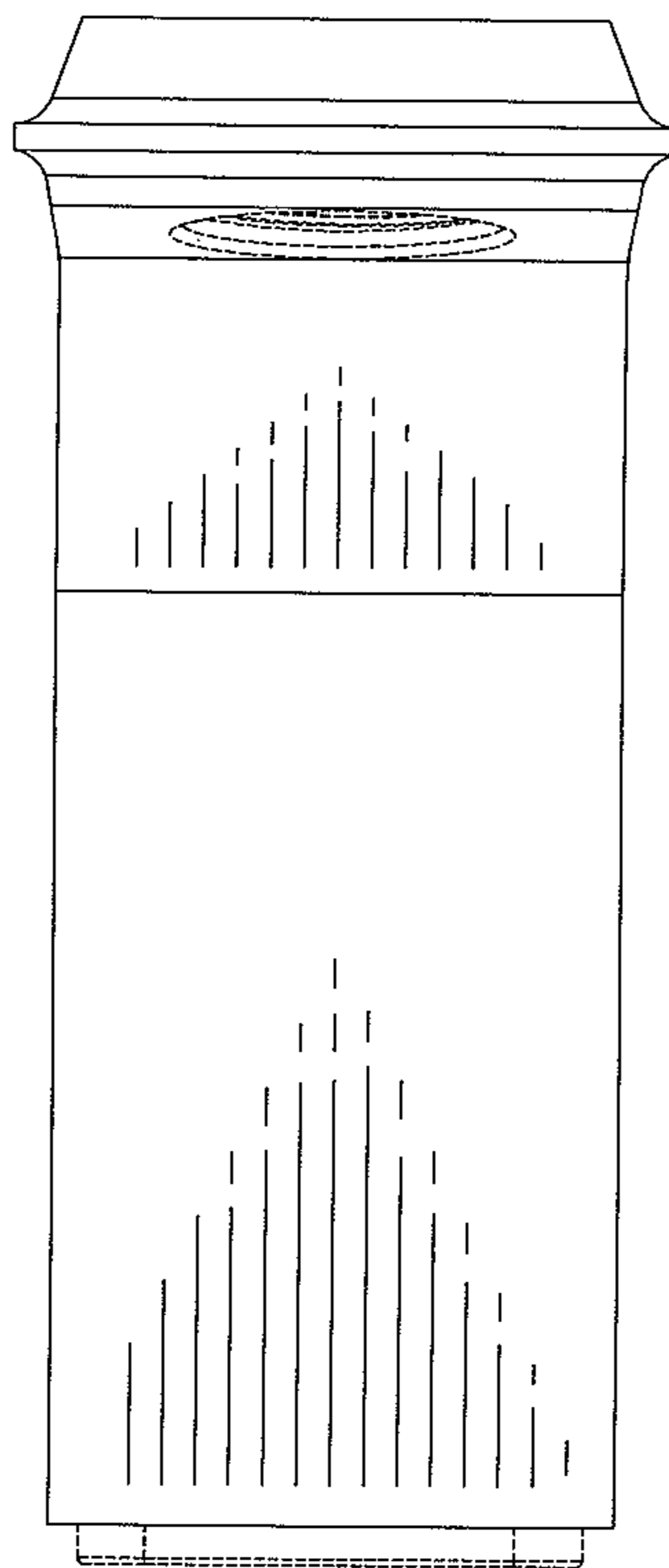


FIG. 10

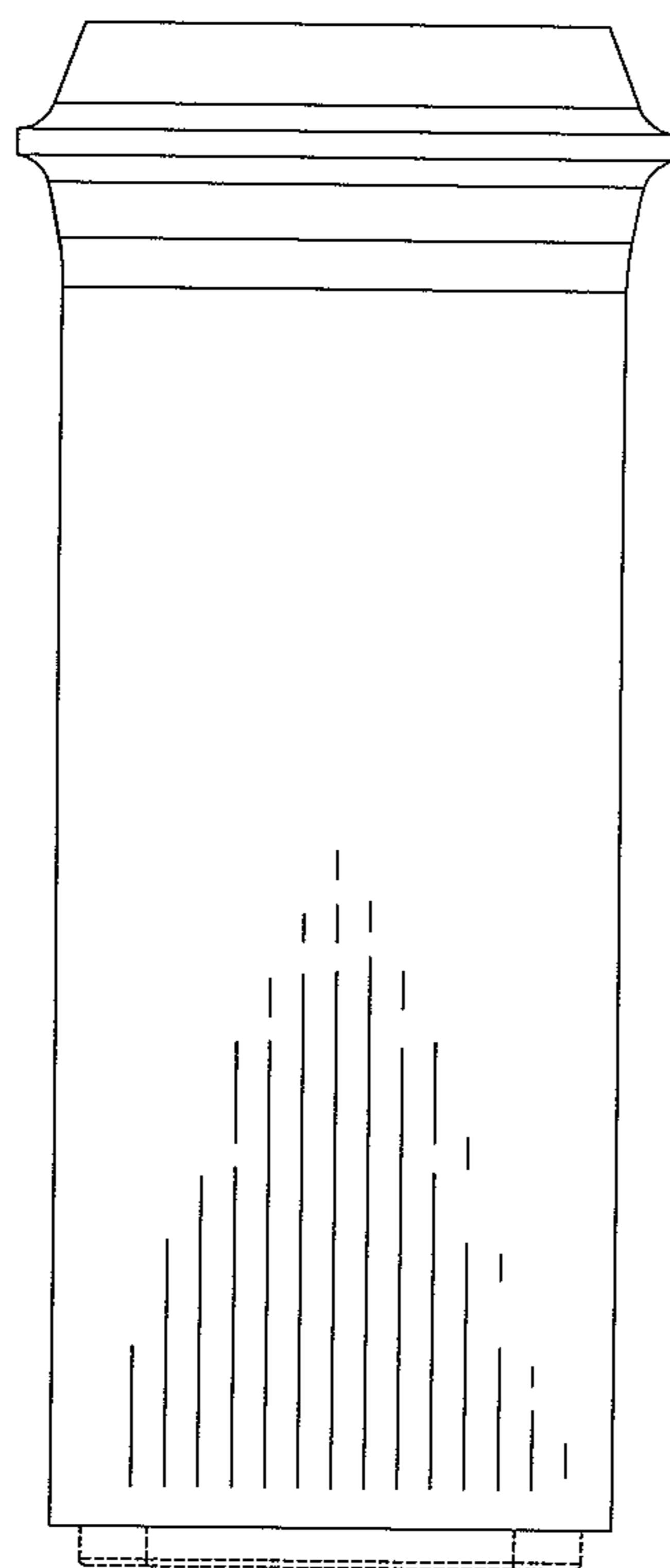


FIG. 11

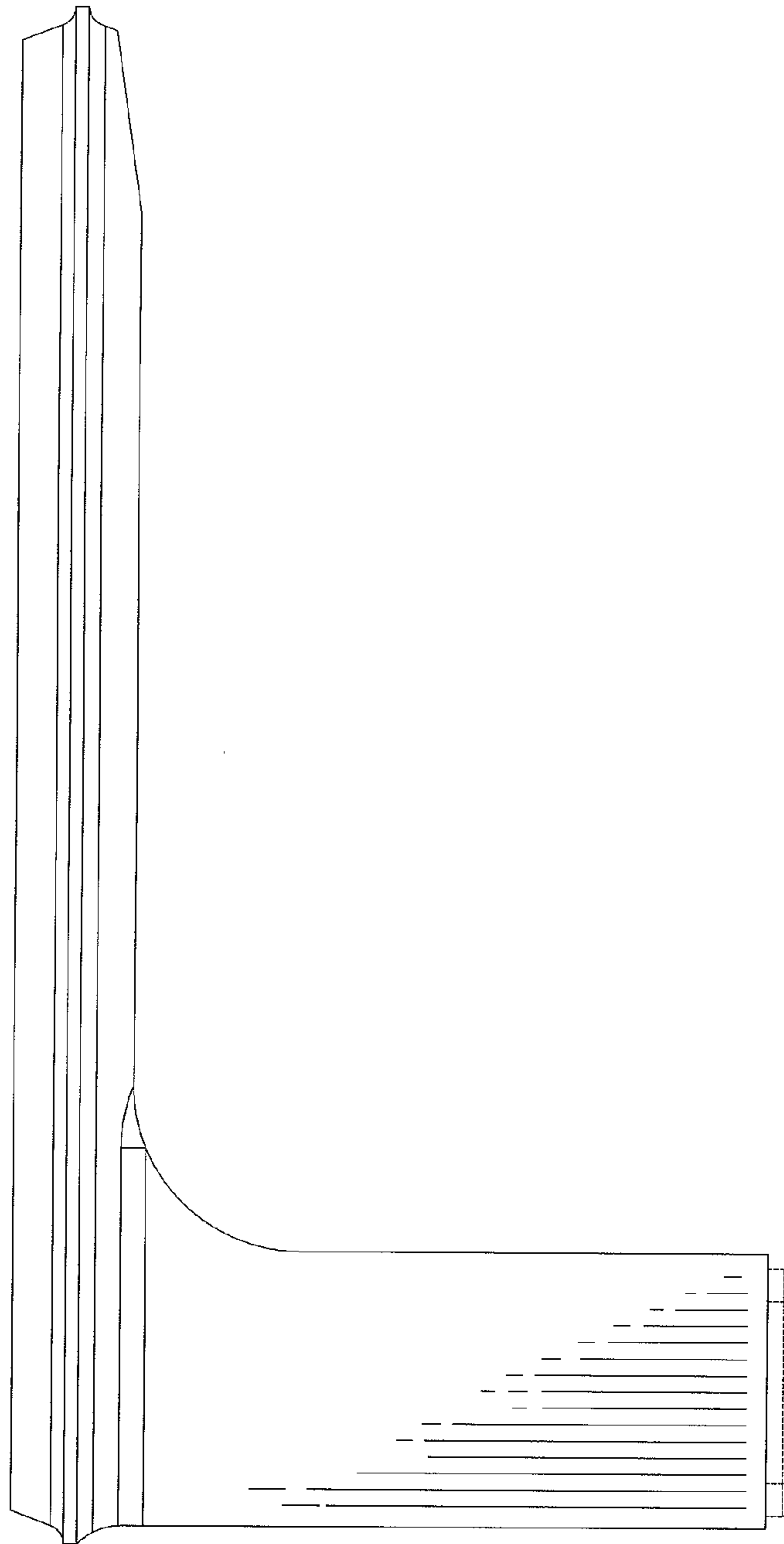


FIG. 12

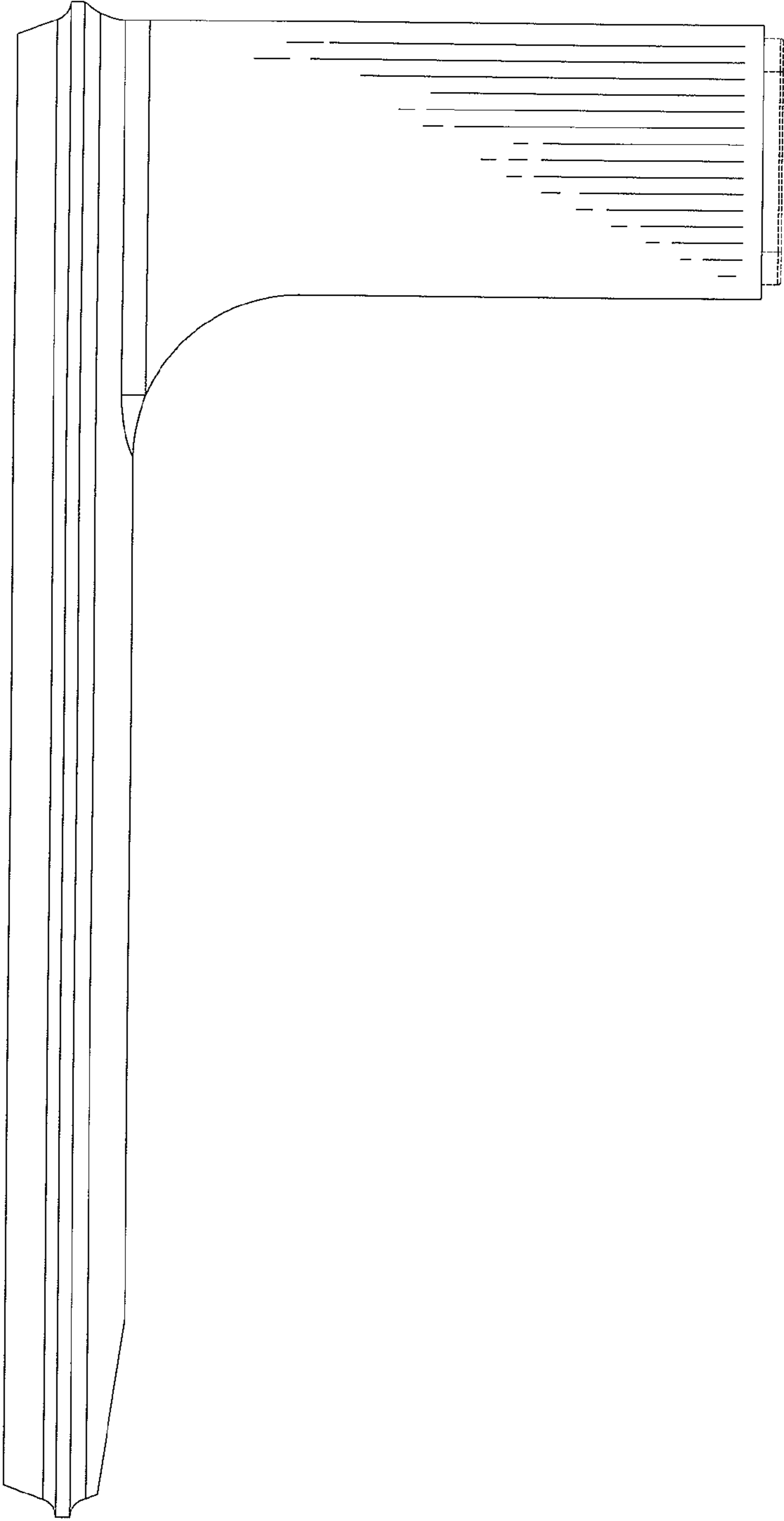


FIG. 13

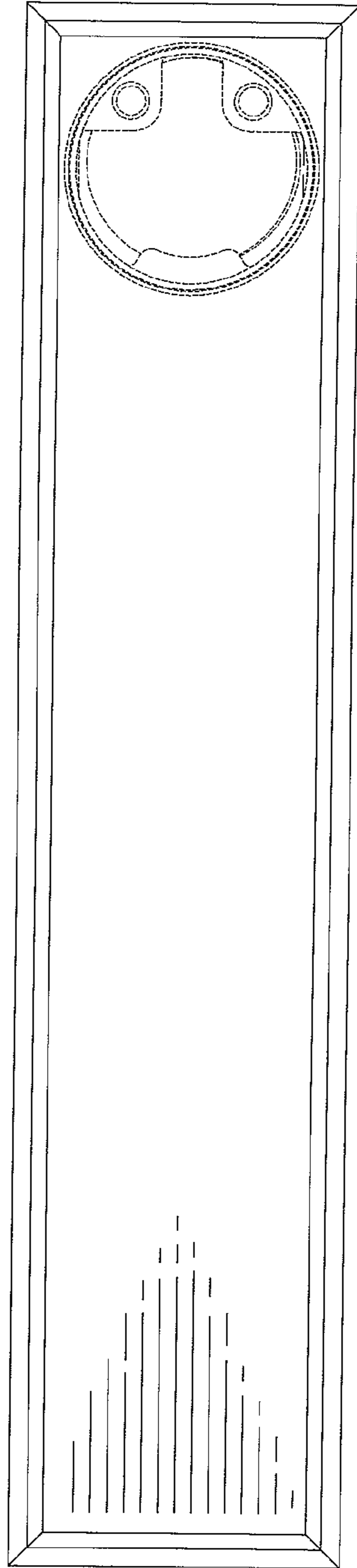


FIG. 14

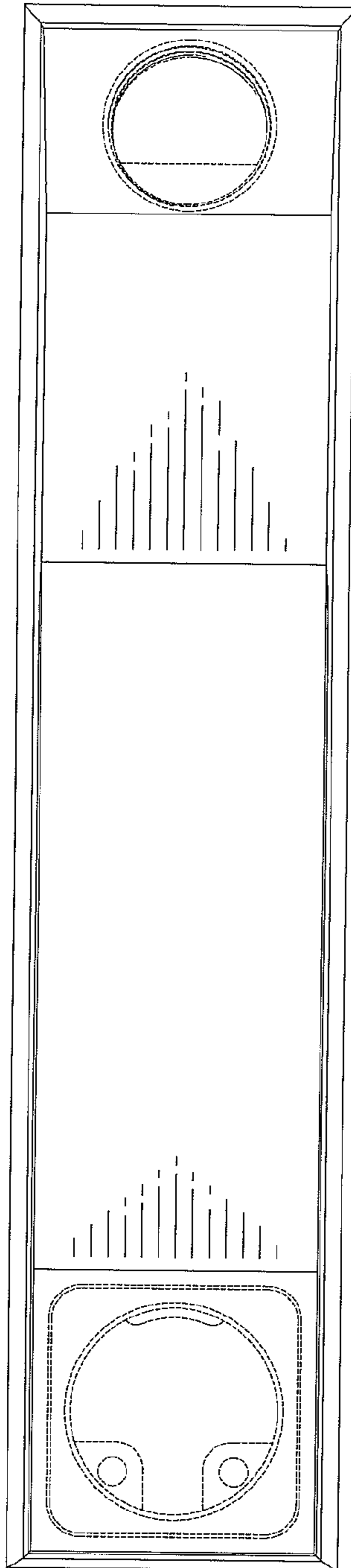


FIG. 15