



US00D773616S

(12) **United States Design Patent** (10) **Patent No.:** **US D773,616 S**
Potter et al. (45) **Date of Patent:** **** Dec. 6, 2016**

(54) **LEVER AND HUB FOR A FAUCET**
(71) Applicant: **Spectrum Brands, Inc.**, Middleton, WI (US)

D622,817 S 8/2010 Painter
D625,392 S 10/2010 Kulig
D682,991 S * 5/2013 Liao D23/242

(72) Inventors: **Cameron Potter**, Fullerton, CA (US);
Tony Zhang, Xiamen (CN); **David Downey**, Mission Viejo, CA (US)

FOREIGN PATENT DOCUMENTS

CA 107220 12/2005
CA 106783 S 8/2007
CA 114806 S 3/2008
CA 135283 S 12/2010
CA 140426 S 12/2011
CA 145103 S 11/2012
CA 145107 S 11/2012
CA 146185 S 4/2013
CA 146186 S 4/2013
CA 146187 S 4/2013
CA 147463 S 4/2013
CA 145776 S 6/2013
CA 157407 S 2/2015
CA 158257 S 4/2015
CA 158262 S 4/2015

(73) Assignee: **Spectrum Brands, Inc.**, Middleton, WI (US)

(**) Term: **15 Years**

(21) Appl. No.: **29/546,523**

(22) Filed: **Nov. 23, 2015**

(51) **LOC (10) Cl.** **23-01**

(52) **U.S. Cl.**
USPC **D23/252**

(58) **Field of Classification Search**
USPC D23/238, 241–243, 249–250, 252, 254
CPC E03C 1/04; E03C 1/0401; E03C 1/0402;
E03C 1/0404; F16K 31/602; F16K 31/605; F16K 31/607

See application file for complete search history.

(Continued)

Primary Examiner — Robert Delehanty

(74) *Attorney, Agent, or Firm* — Banner & Witcoff, Ltd.

(57) **CLAIM**

The ornamental design for a lever and hub for a faucet, as shown and described.

DESCRIPTION

FIG. 1 is a front perspective view of a lever and hub for a faucet showing our new design;

FIG. 2 is a front view thereof;

FIG. 3 is a rear view thereof;

FIG. 4 is a right side view thereof;

FIG. 5 is a top view thereof; and,

FIG. 6 is a bottom view thereof.

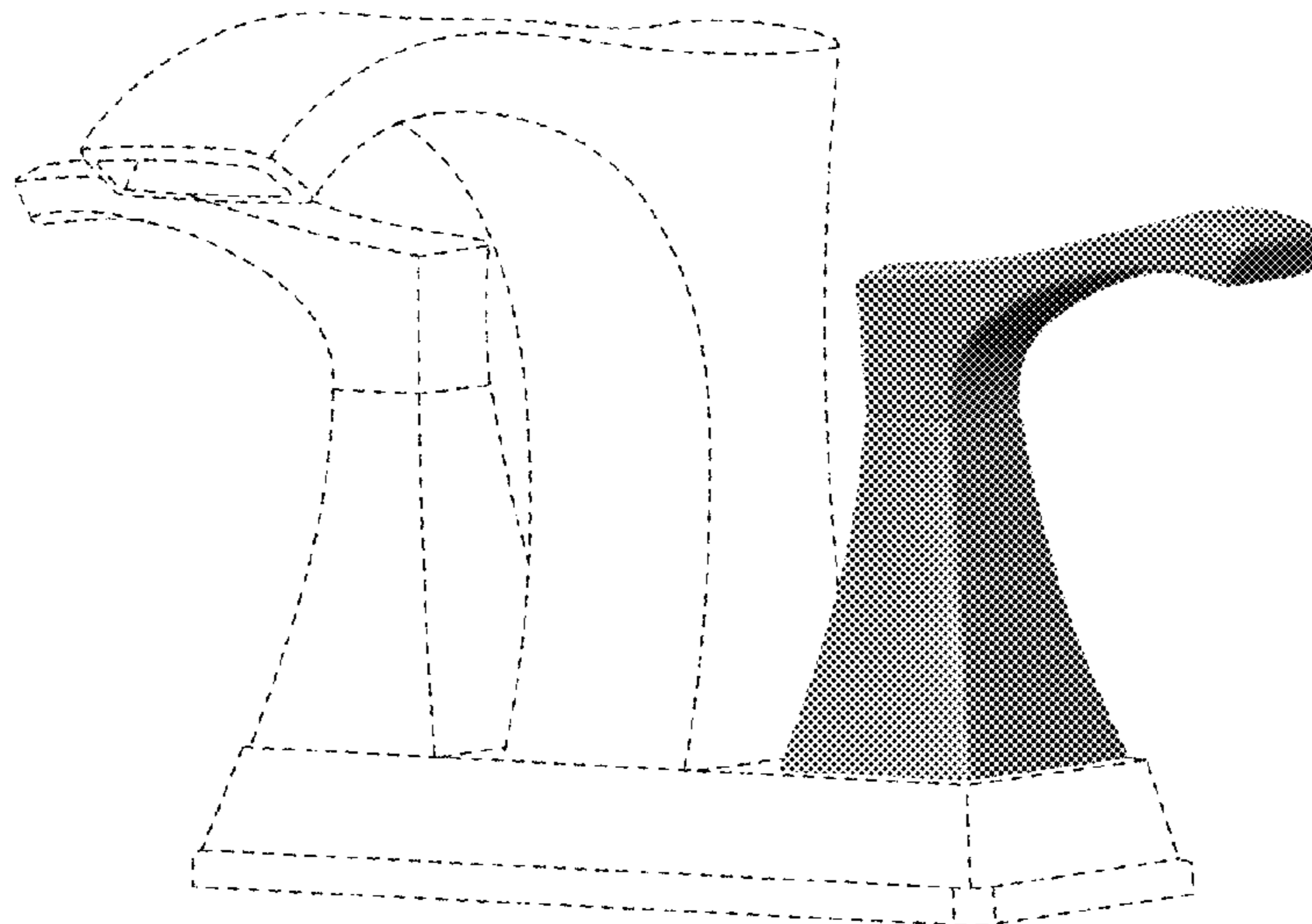
The broken line showing of the remainder of the faucet is for environmental purposes only and forms no part of the claimed design.

(56) **References Cited**

U.S. PATENT DOCUMENTS

D401,673 S 11/1998 Steffes
D520,116 S 5/2006 Koury et al.
D577,422 S 9/2008 Williams
D579,082 S 10/2008 Yuan
D582,013 S 12/2008 Yuan
D587,786 S 3/2009 Williams
D607,975 S 1/2010 Schoenherr et al.
D608,859 S 1/2010 Schoenherr et al.
D609,788 S 2/2010 Schoenherr et al.

1 Claim, 4 Drawing Sheets



(56)

References Cited

FOREIGN PATENT DOCUMENTS

CA	158401 S	4/2015
CA	157658 S	7/2015
CA	158725 S	8/2015
EM	001625252-0001	10/2009
EM	001273031-0115	4/2011
EM	001336481-0075	7/2012
EM	001336481-0095	7/2012
EM	001336481-0092	9/2012
EM	001387799-0002	10/2013

* cited by examiner

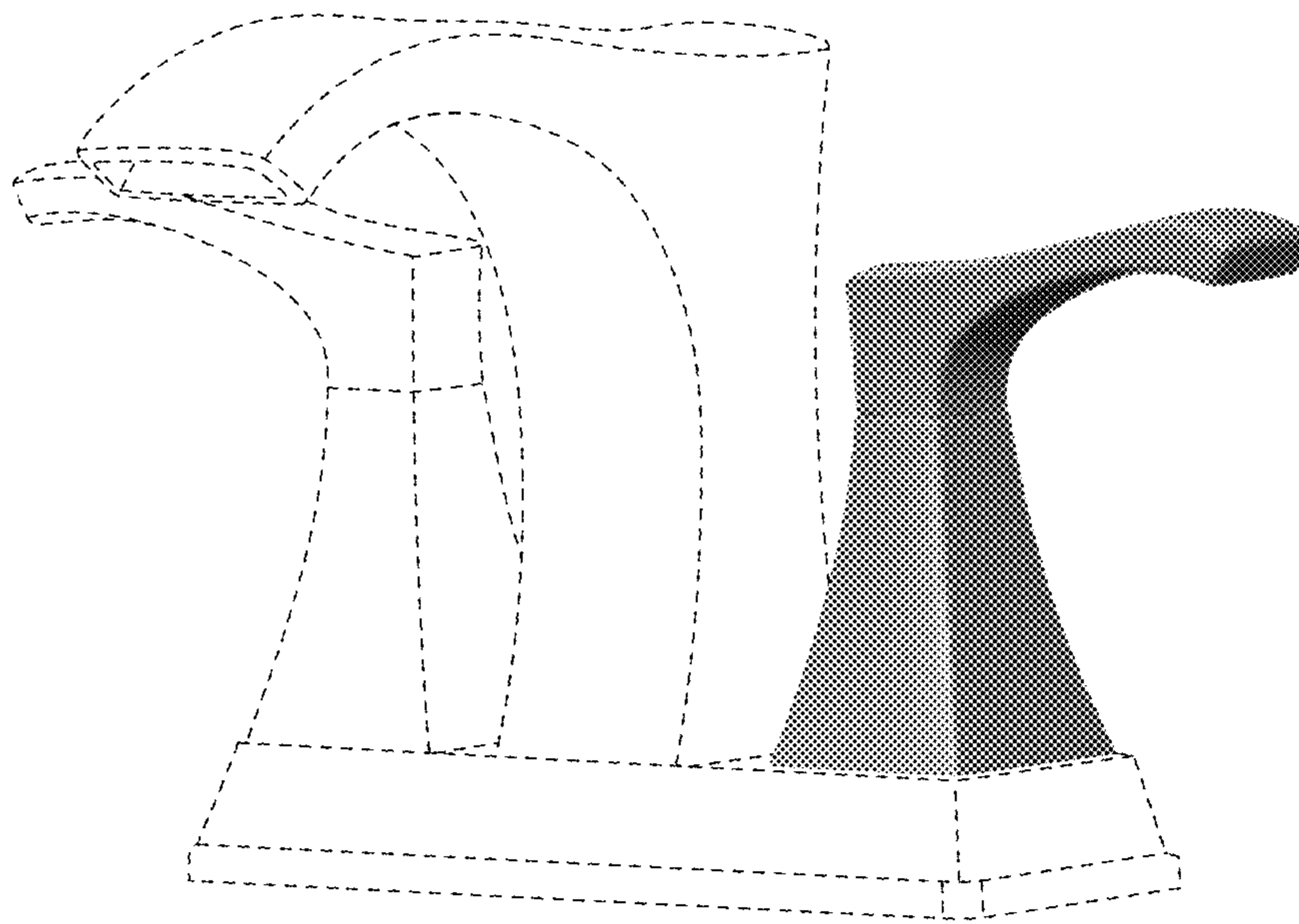


FIG. 1

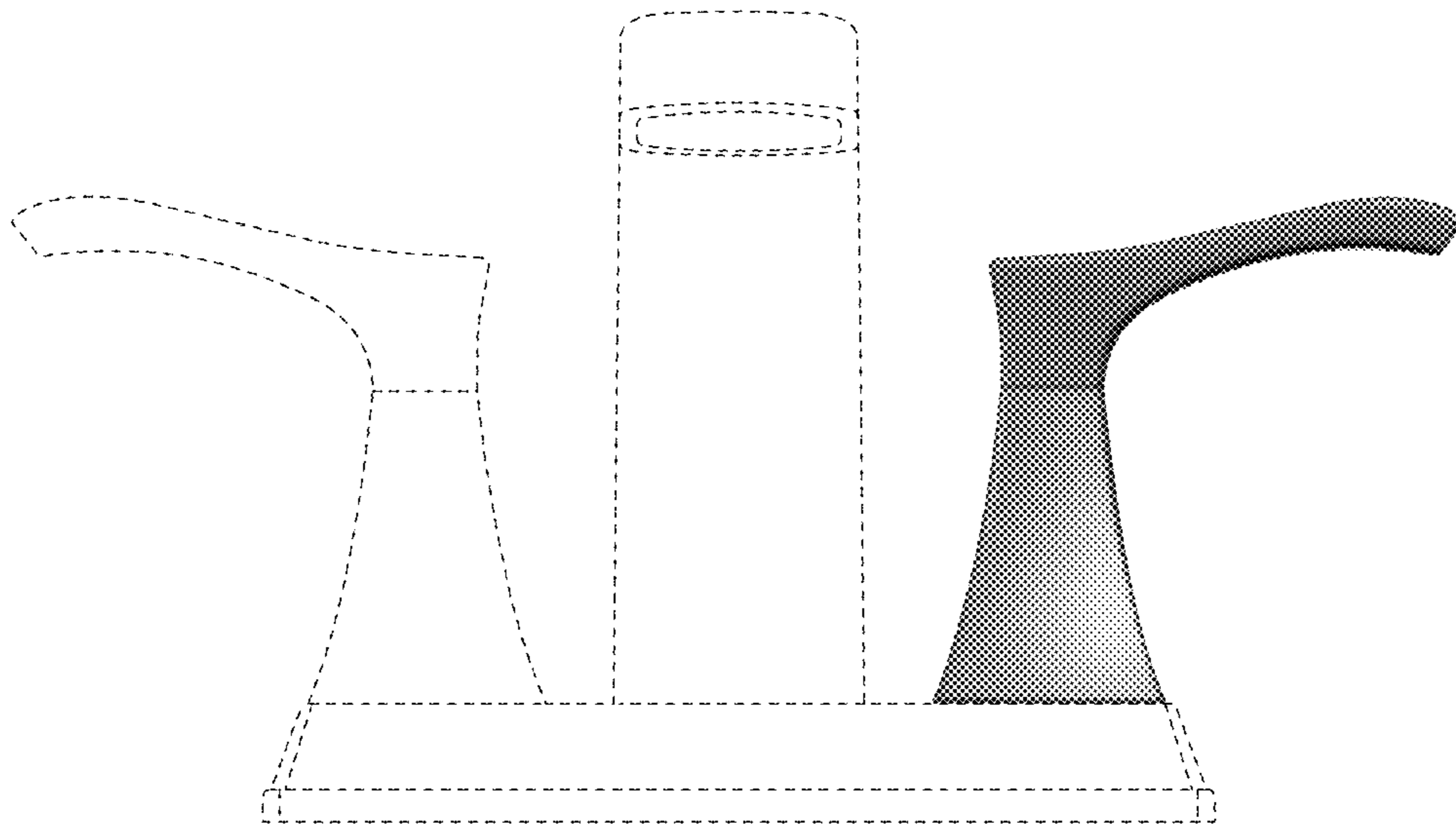


FIG. 2

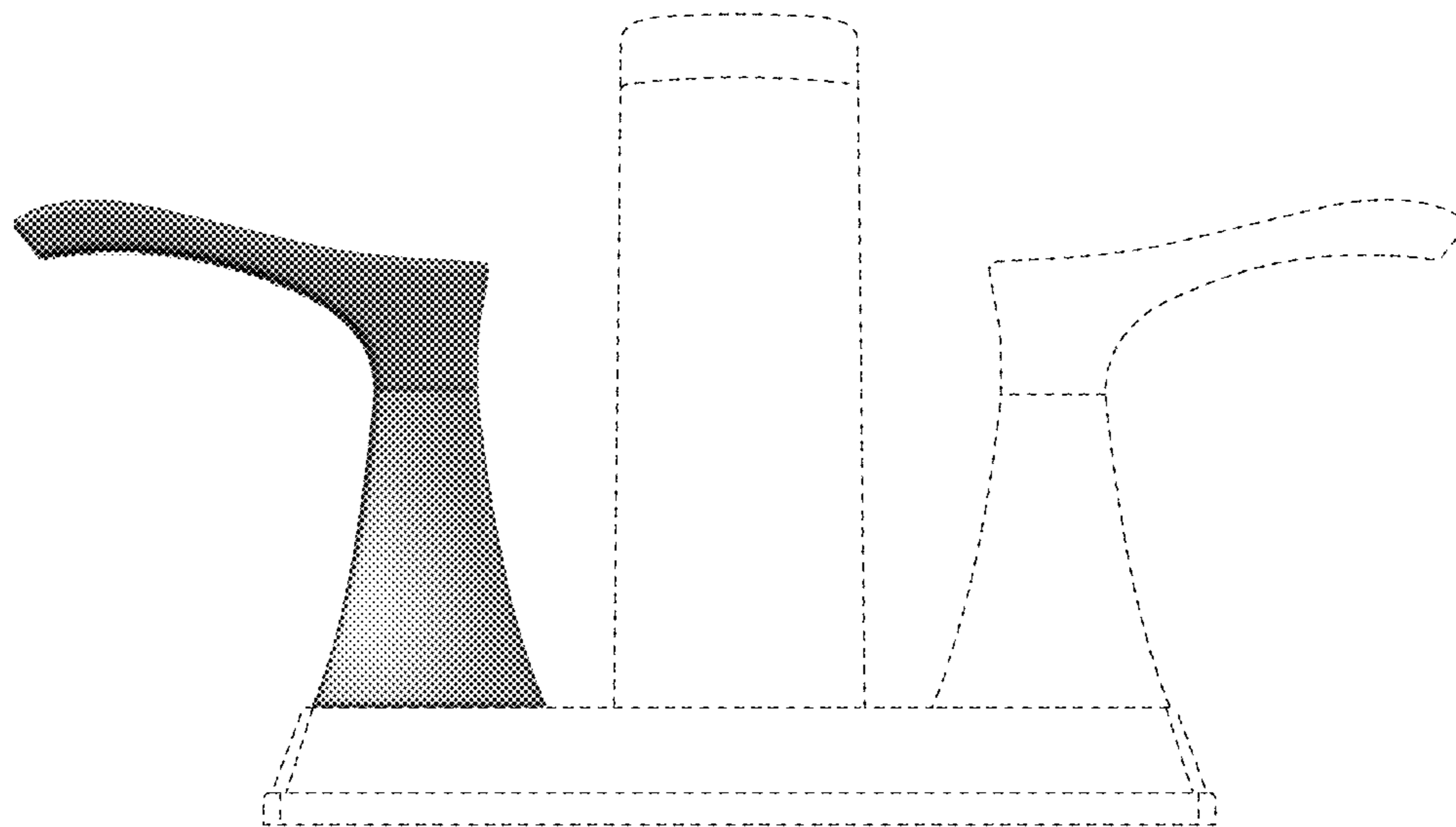


FIG. 3

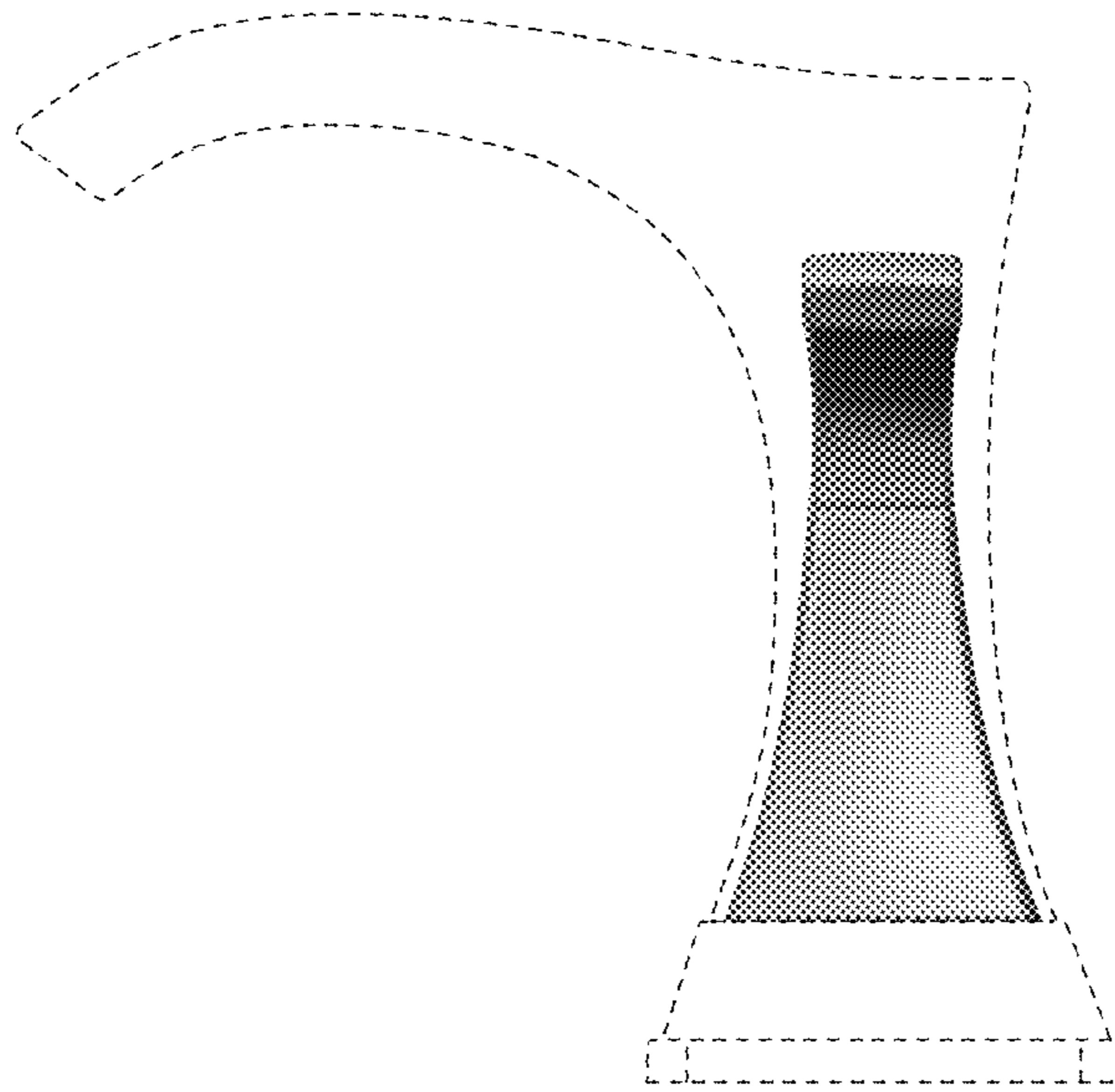


FIG. 4

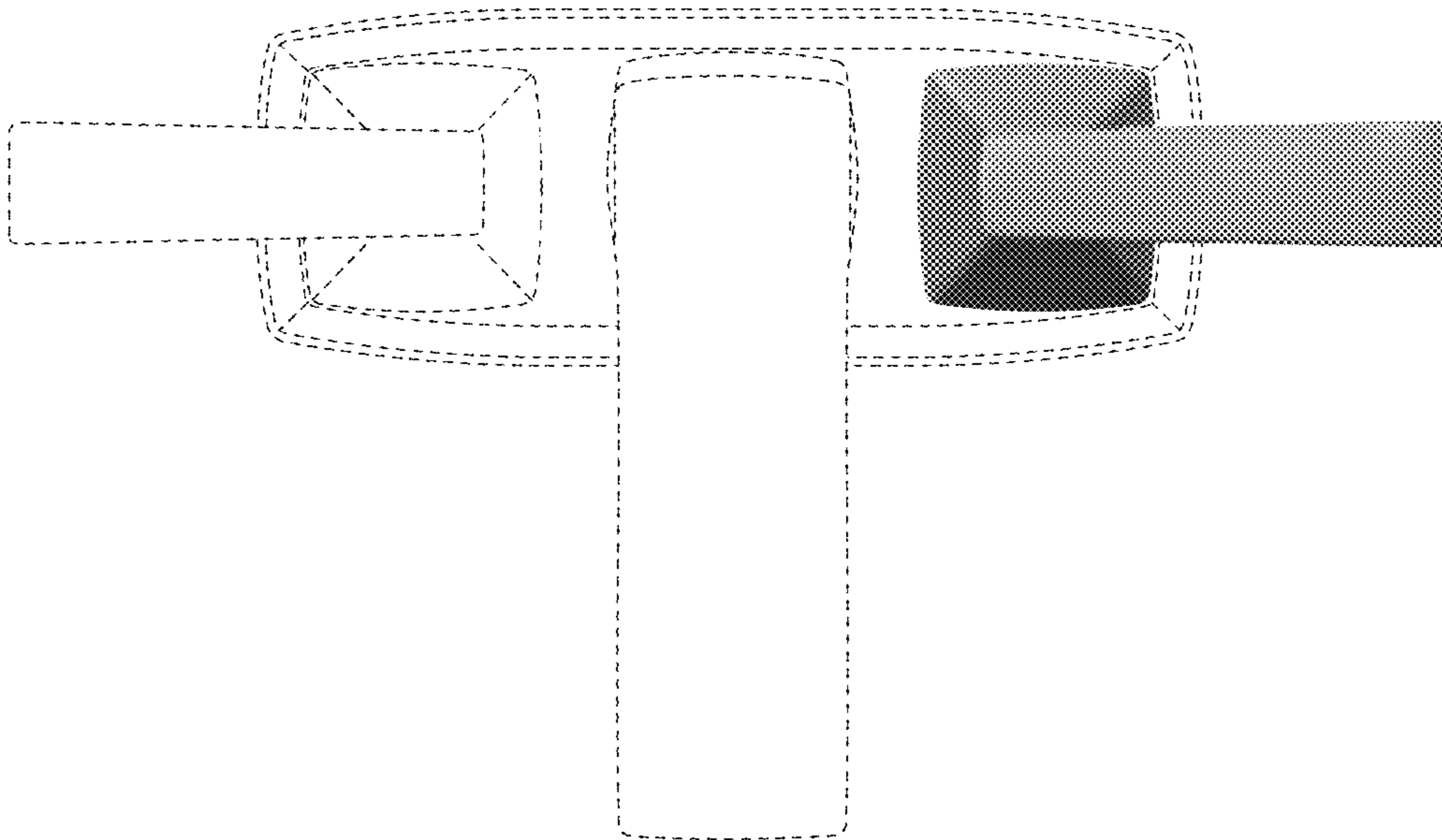


FIG. 5

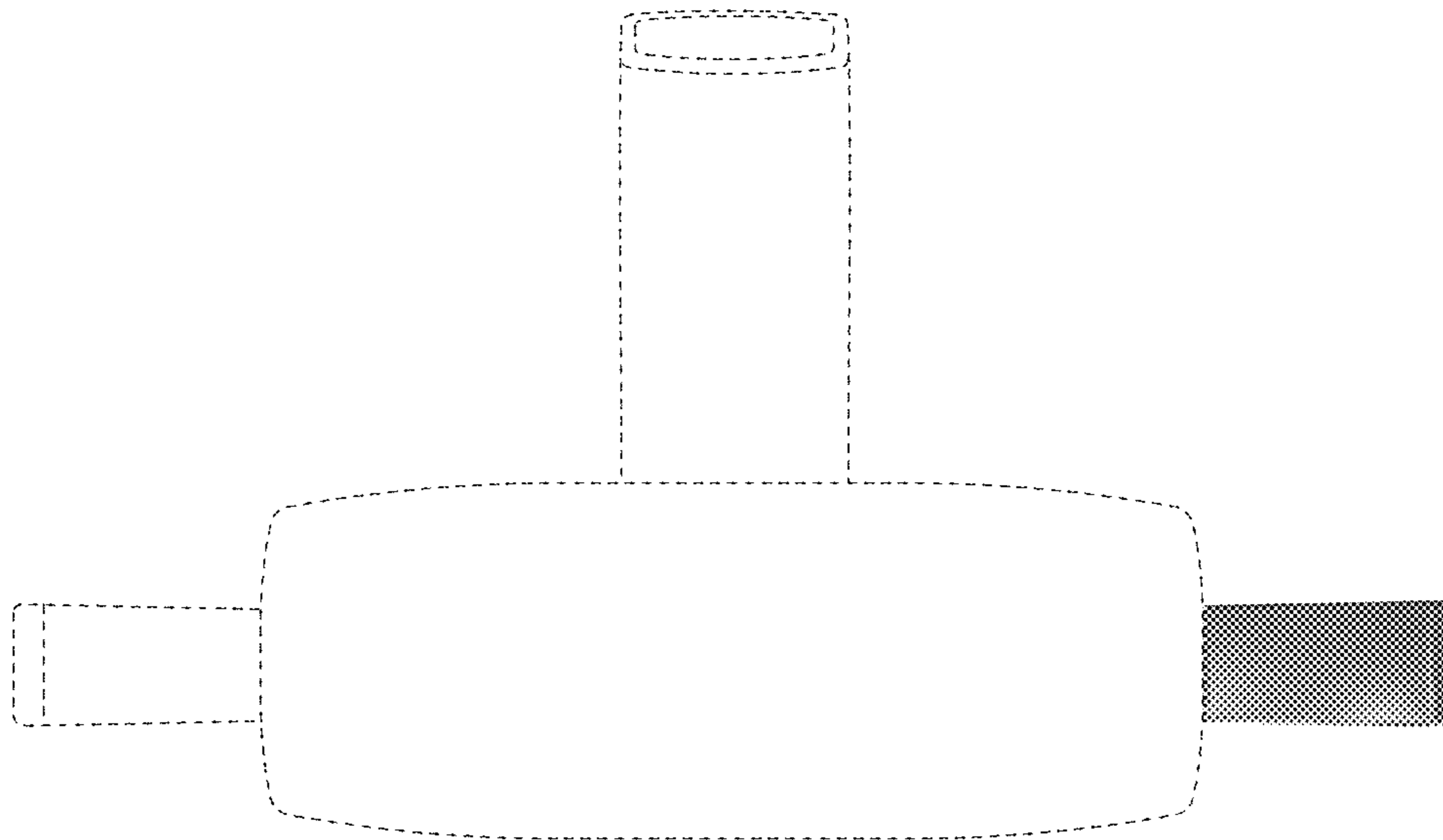


FIG. 6