



US00D773614S

(12) **United States Design Patent** (10) **Patent No.:** **US D773,614 S**
Potter et al. (45) **Date of Patent:** **** Dec. 6, 2016**

(54) **FAUCET**

(71) Applicant: **Spectrum Brands, Inc.**, Middleton, WI (US)

(72) Inventors: **Cameron Potter**, Fullerton, CA (US); **Tony Zhang**, Xiamen (CN)

(73) Assignee: **Spectrum Brands, Inc.**, Middleton, WI (US)

(**) Term: **15 Years**

(21) Appl. No.: **29/546,528**

(22) Filed: **Nov. 23, 2015**

(51) **LOC (10) Cl.** **23-01**

(52) **U.S. Cl.**
 USPC **D23/238**

(58) **Field of Classification Search**
 USPC D23/238, 241–243, 249–250, 252, D23/254–255, 257
 CPC E03C 1/04; E03C 1/0401; E03C 1/0402; E03C 1/0404; F16K 31/602; F16K 31/605; F16K 31/607

See application file for complete search history.

D607,975 S * 1/2010 Schoenherr D23/238
 D618,764 S 6/2010 Gao
 D643,515 S 8/2011 Hanna
 D667,084 S 9/2012 Berger et al.
 D680,622 S 4/2013 Berger

FOREIGN PATENT DOCUMENTS

CA 115553 S 11/2007
 CA 121143 S 2/2008
 CA 130733 S 1/2010
 CA 136677 S 3/2011
 EM 001273031-0115 4/2011
 EM 001273031-0058 5/2011
 EM 001284699-0034 9/2011
 EM 001284699-0047 9/2011
 EM 001949736-0005 1/2012
 EM 001949736-0009 1/2012
 EM 001336481-0075 7/2012

(Continued)

Primary Examiner — Robert Delehanty

(74) Attorney, Agent, or Firm — Banner & Witcoff, Ltd.

(57) **CLAIM**

The ornamental design for a faucet, as shown and described.

DESCRIPTION

FIG. 1 is a front perspective view of a faucet showing our new design;
 FIG. 2 is a front view thereof;
 FIG. 3 is a rear view thereof;
 FIG. 4 is a right side view thereof;
 FIG. 5 is a left side view thereof;
 FIG. 6 is a top view thereof; and,
 FIG. 7 is a bottom view thereof.
 The broken line showing of the interior portion of the base and the unshaded region therein in FIG. 7 are for environmental purposes only and form no part of the claimed design.

1 Claim, 4 Drawing Sheets

(56) **References Cited**

U.S. PATENT DOCUMENTS

D421,096 S 2/2000 Sawhney et al.
 D426,619 S 6/2000 Sawhney et al.
 D517,169 S 3/2006 Ogata et al.
 D527,795 S 9/2006 Haug et al.
 D532,084 S 11/2006 Toyohara
 D534,996 S 1/2007 Wang
 D548,308 S 8/2007 Hoernig
 D579,521 S 10/2008 Kulig
 D582,514 S 12/2008 Painter
 D602,121 S 10/2009 Yabe et al.



(56)

References Cited

FOREIGN PATENT DOCUMENTS

EM	001336481-0095	7/2012
EM	001336481-0067	9/2012
EM	001336481-0071	9/2012
EM	001336481-0073	9/2012
EM	001336481-0087	9/2012
EM	001336481-0090	9/2012
EM	001336481-0093	9/2012
EM	001336481-0096	9/2012
EM	001336481-0102	9/2012
EM	002260737-0007	6/2013

* cited by examiner



FIG. 1

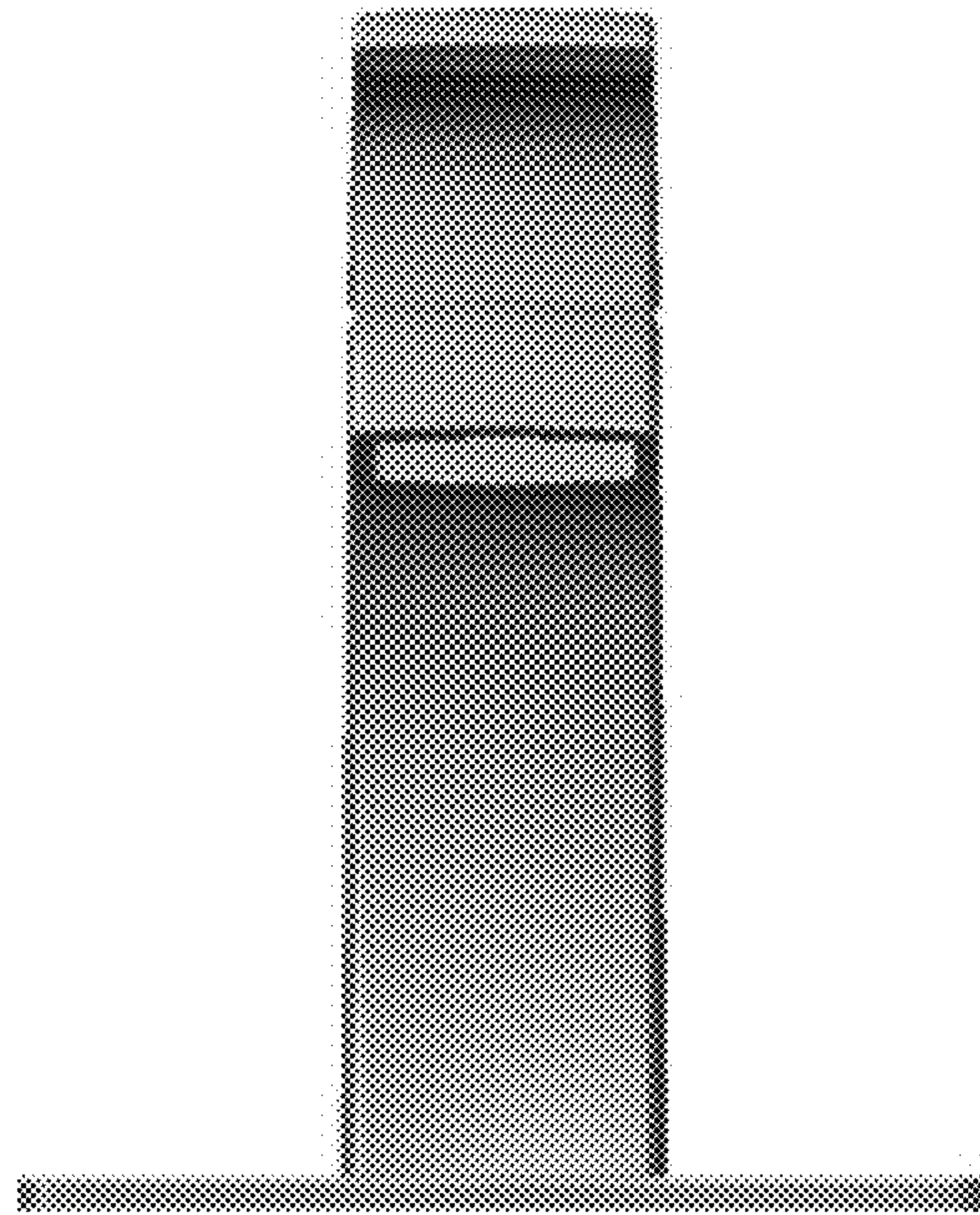


FIG. 2

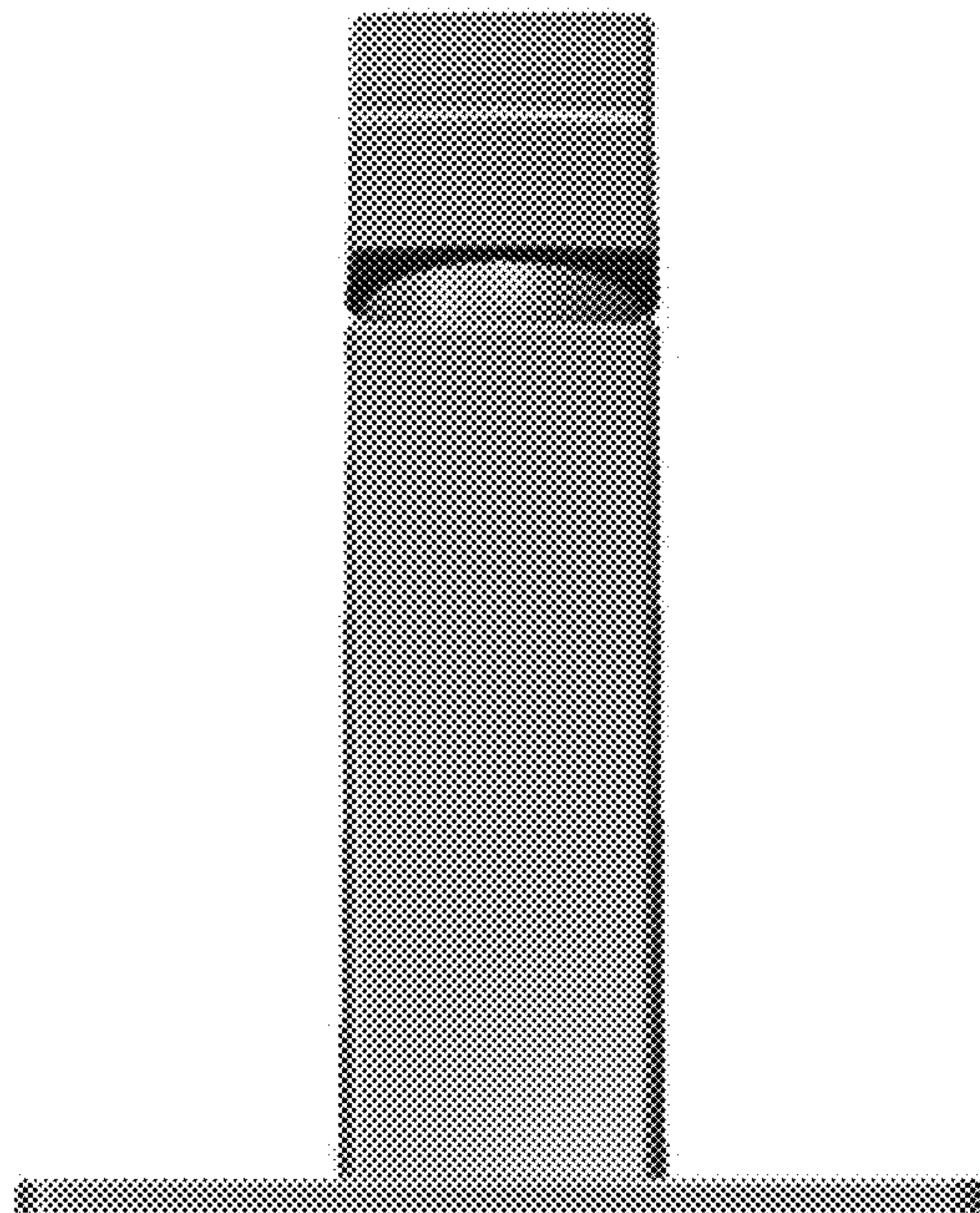


FIG. 3

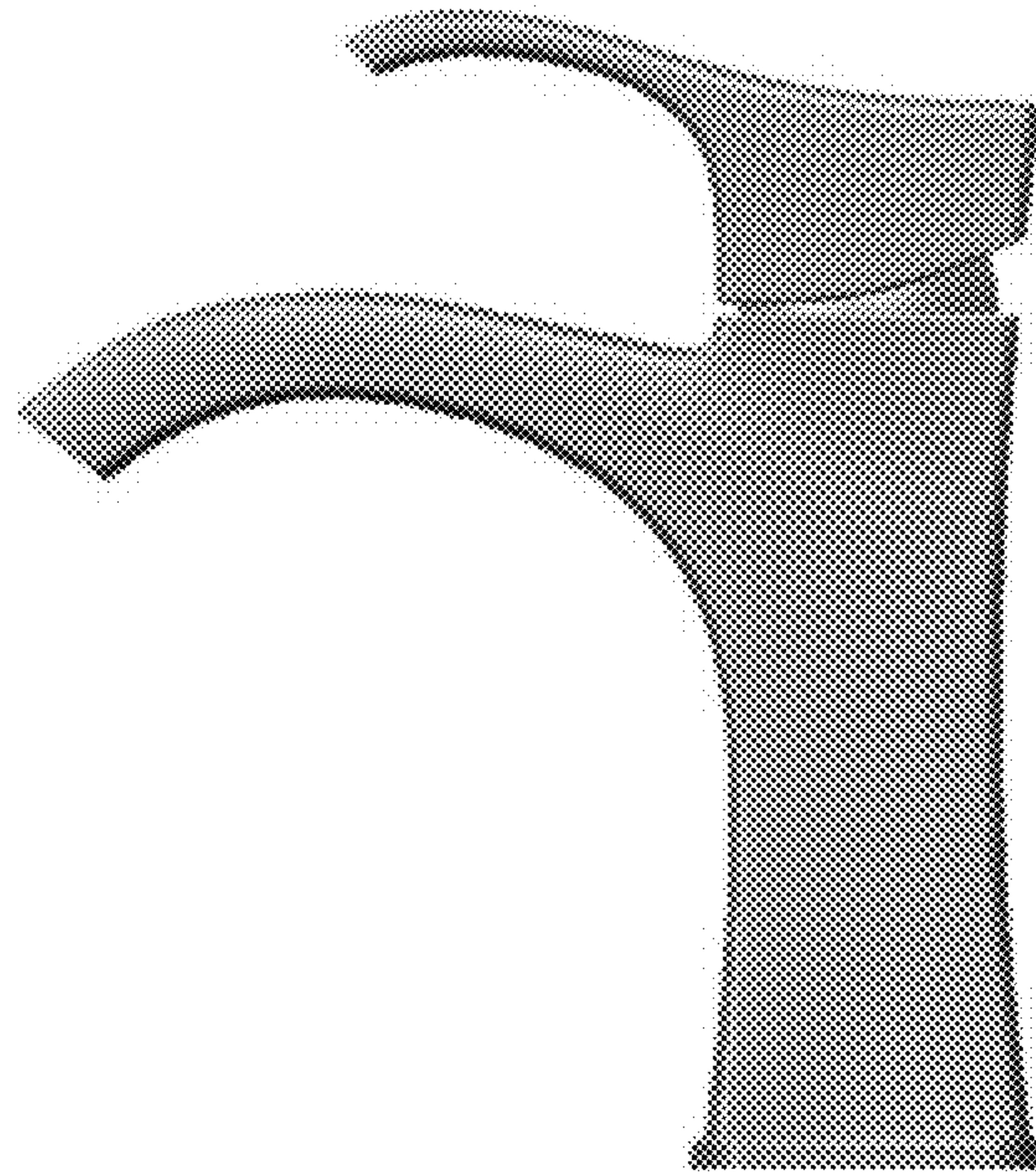


FIG. 4

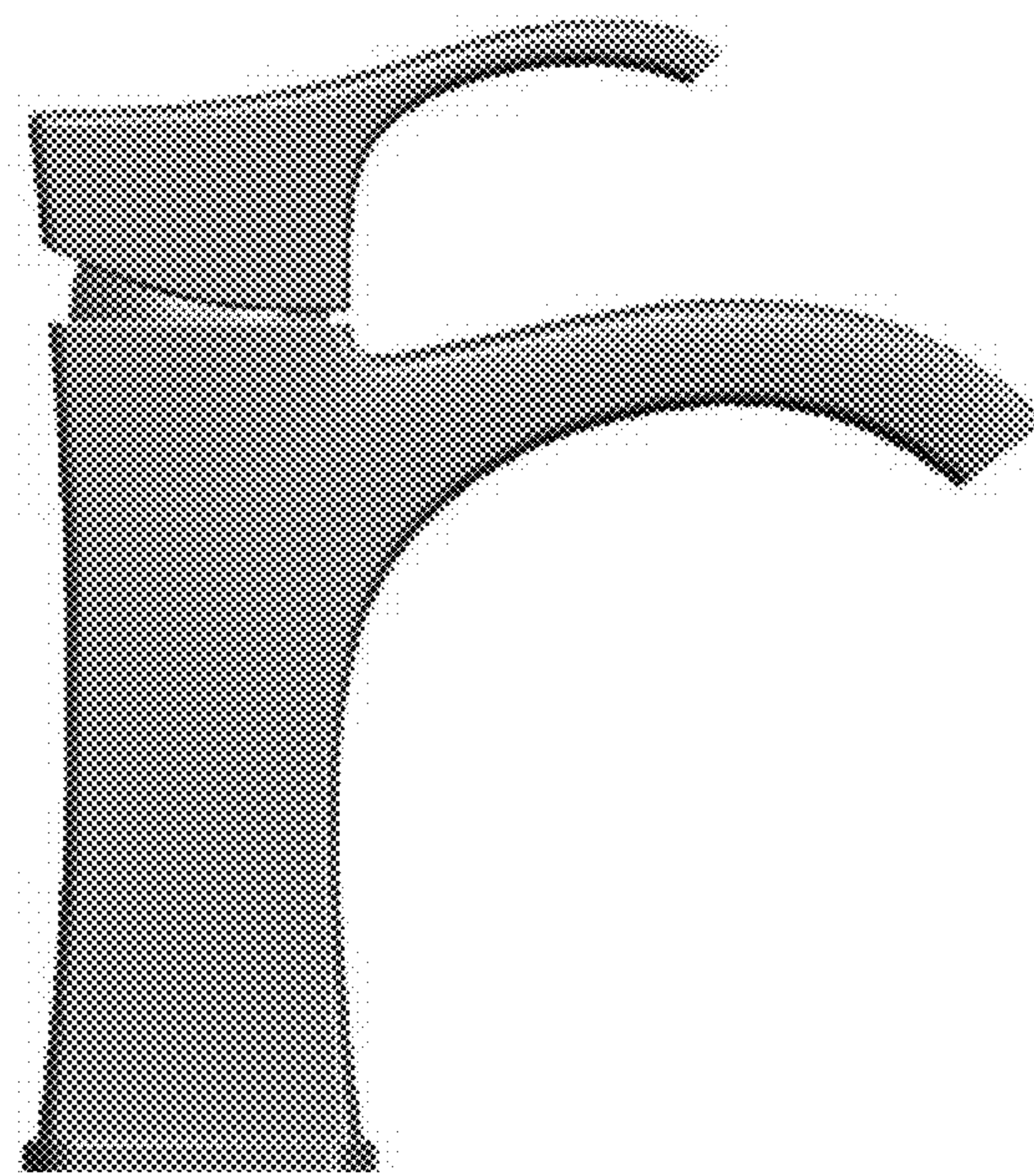


FIG. 5

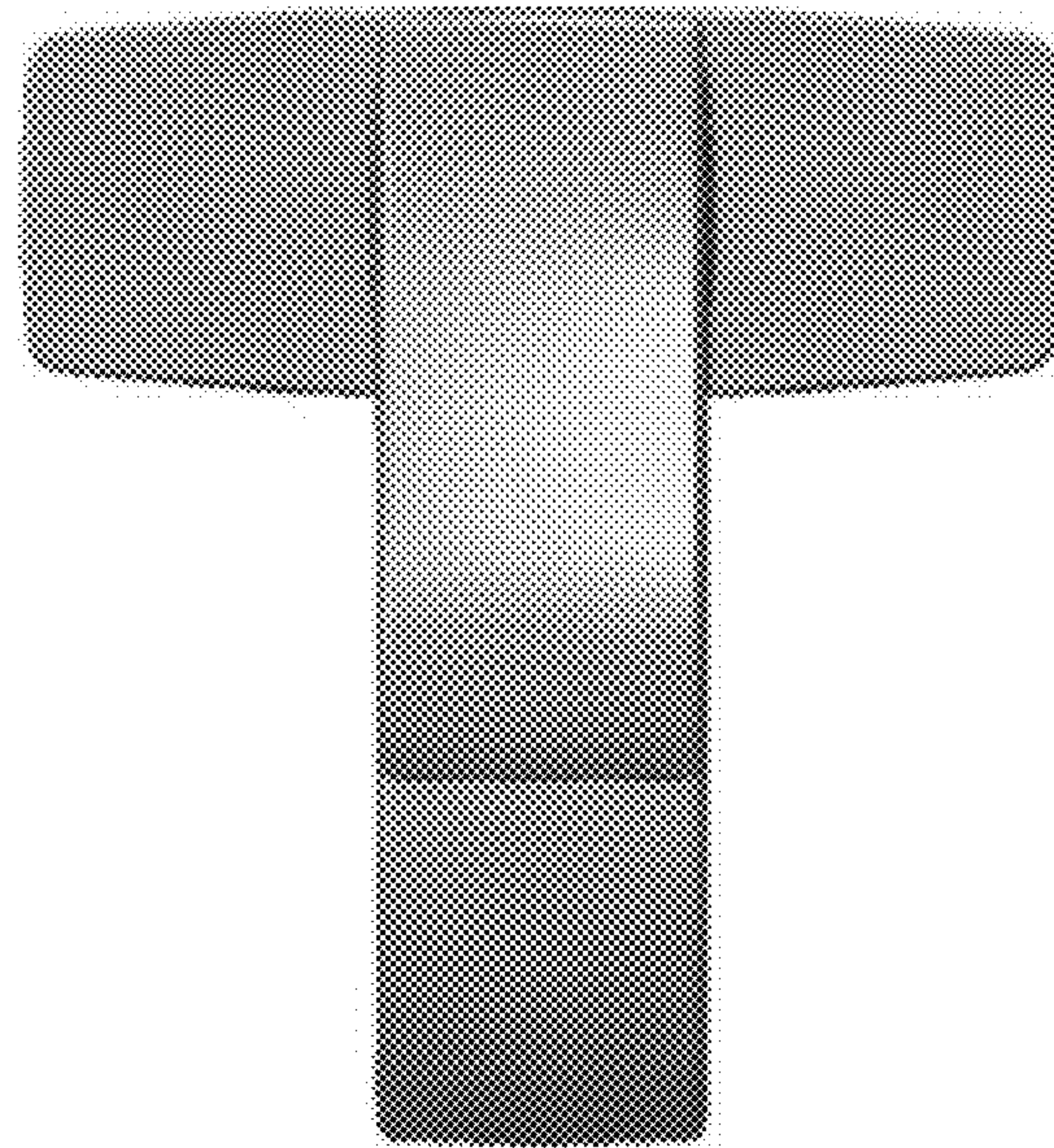


FIG. 6

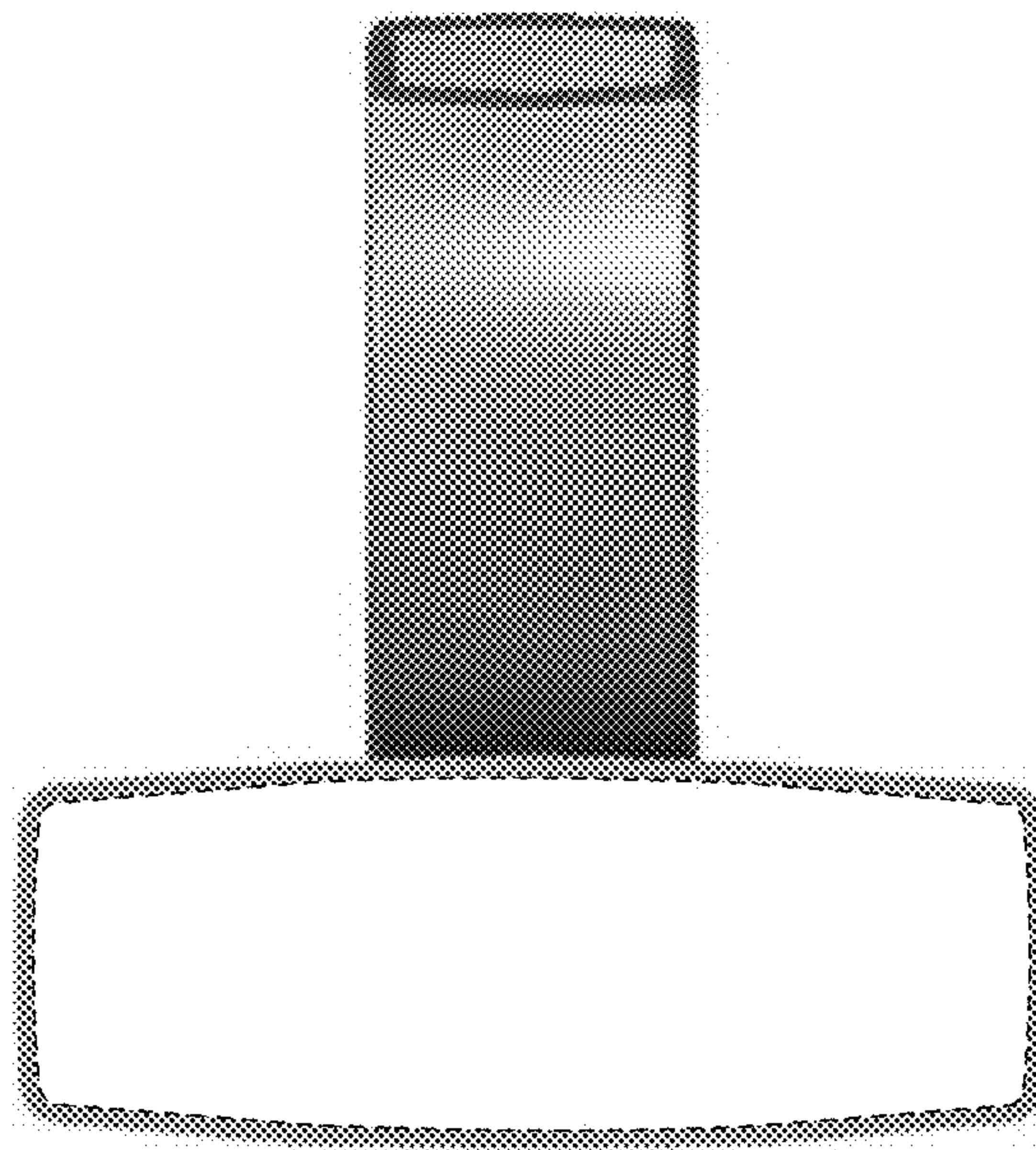


FIG. 7