



US00D773611S

(12) **United States Design Patent** (10) **Patent No.:** **US D773,611 S**
Baker (45) **Date of Patent:** **** Dec. 6, 2016**

(54) **VALVE HOUSING**

- (71) Applicant: **Magarl, LLC**, Naples, FL (US)
- (72) Inventor: **Thomas R. Baker**, Noblesville, IN (US)
- (73) Assignee: **Magarl, LLC**, Naples, FL (US)
- (**) Term: **14 Years**
- (21) Appl. No.: **29/522,350**
- (22) Filed: **Mar. 30, 2015**
- (51) **LOC (10) Cl.** **23-01**
- (52) **U.S. Cl.**
USPC **D23/233**
- (58) **Field of Classification Search**
USPC D23/233-250; 137/488, 12, 14, 15.19,
137/493, 486, 505.11, 343, 218, 318, 140,
137/636.2, 625.4, 625.41, 625.17,
170-174, 137/549, 625.22, 625.47
CPC F16K 27/12; F16K 3/0227
See application file for complete search history.

(56) **References Cited**

U.S. PATENT DOCUMENTS

D304,486 S *	11/1989	Elder	D23/233
D568,965 S *	5/2008	Johnson	D23/233
D620,081 S *	7/2010	Geideman	D23/233
D638,521 S *	5/2011	Matusche	D23/233
D638,915 S *	5/2011	Cardno	D23/233
D647,598 S *	10/2011	Matusche	D23/233
D678,470 S *	3/2013	Mortensen	D23/233
D720,048 S *	12/2014	Winborn	D23/233
2011/0056015 A1	3/2011	Perrin et al.		

OTHER PUBLICATIONS

Bradley, "Pedestal-Mount Halo Eyewash or Eye/Face Wash;" S19214 Series; Brochure; Menomonee Falls, WI, 5 pgs, Sep. 15, 2015.
Bradley, Model S19214BSS; <https://www.bradleycorp.com/safety/safety-eyewashes-drench-showers/pedestal-mounted-eyewashes/halo/stainless-steel-eye-face-wash-and-bowl>.

* cited by examiner

Primary Examiner — Cynthia Ramirez

Assistant Examiner — Gino Colan

(74) *Attorney, Agent, or Firm* — John V. Daniluck; Bingham Greenebaum Doll LLP

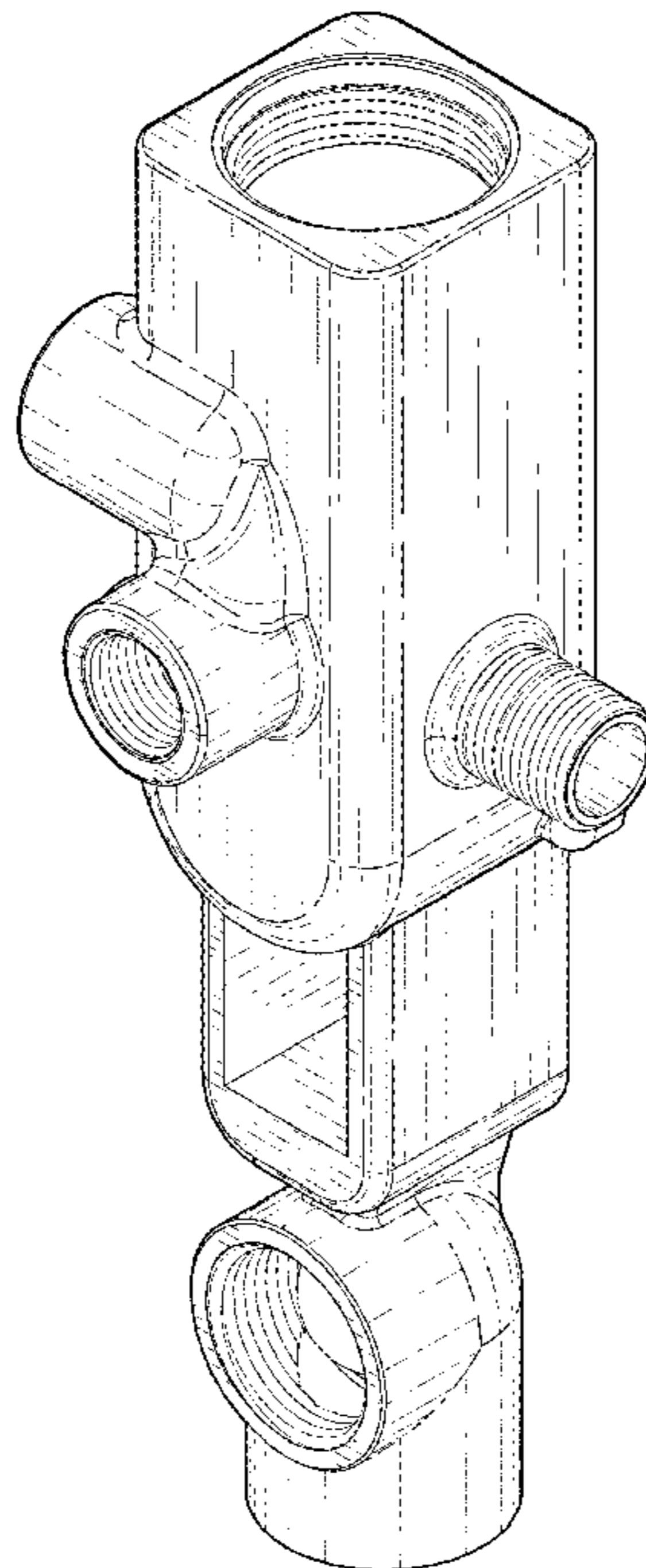
(57) **CLAIM**

The ornamental design for a valve housing, as shown and described.

DESCRIPTION

FIG. 1 is a right, front, top perspective view of a valve housing showing my new design;
FIG. 2 is a left, front, bottom perspective view thereof;
FIG. 3 is a front elevational view thereof;
FIG. 4 is a right elevational view thereof;
FIG. 5 is a rear elevational view thereof;
FIG. 6 is a left elevational view thereof;
FIG. 7 is a top plan view thereof;
FIG. 8 is a bottom plan view thereof;
FIG. 9 is a right elevational view thereof; and,
FIG. 10 is a right, front, top perspective view thereof.
The dotted lines shown in the figures are included for the purpose of illustrating environment and form no part of the claimed design.

1 Claim, 7 Drawing Sheets



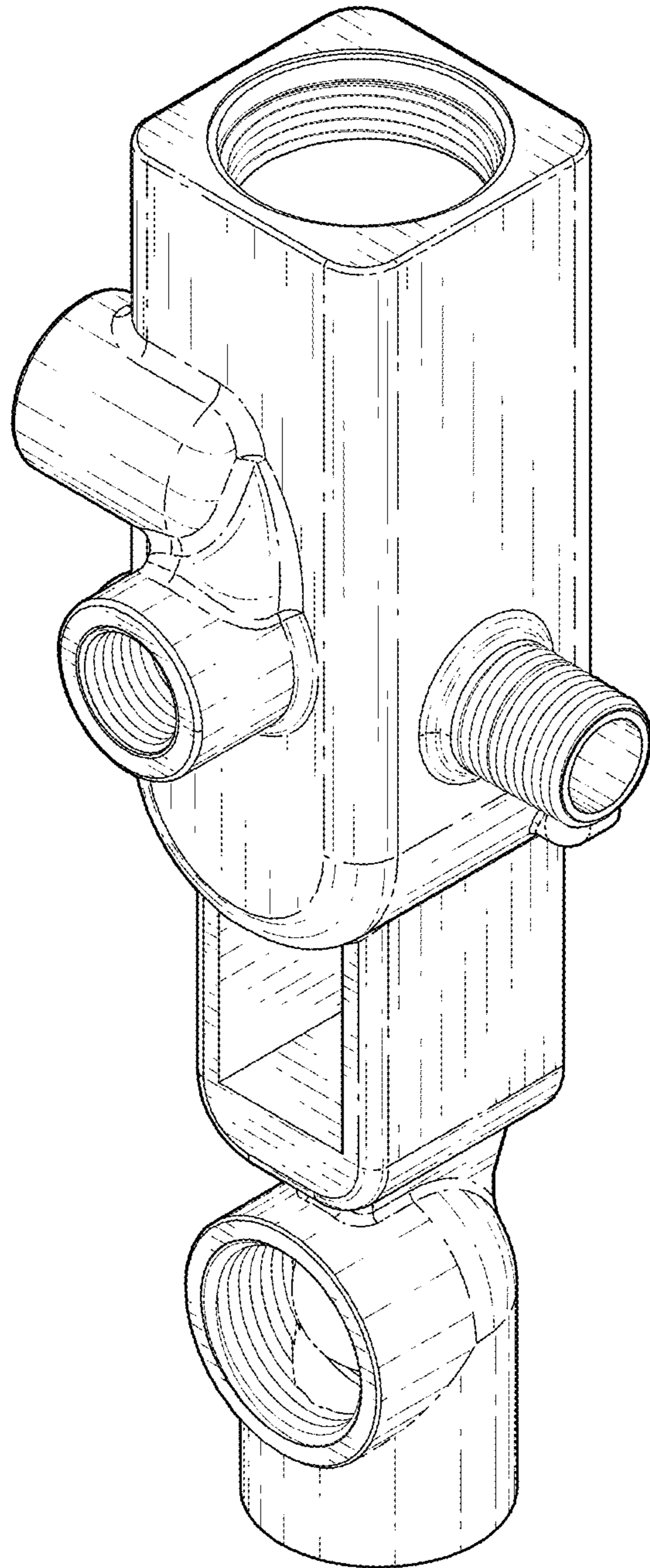


Fig. 1

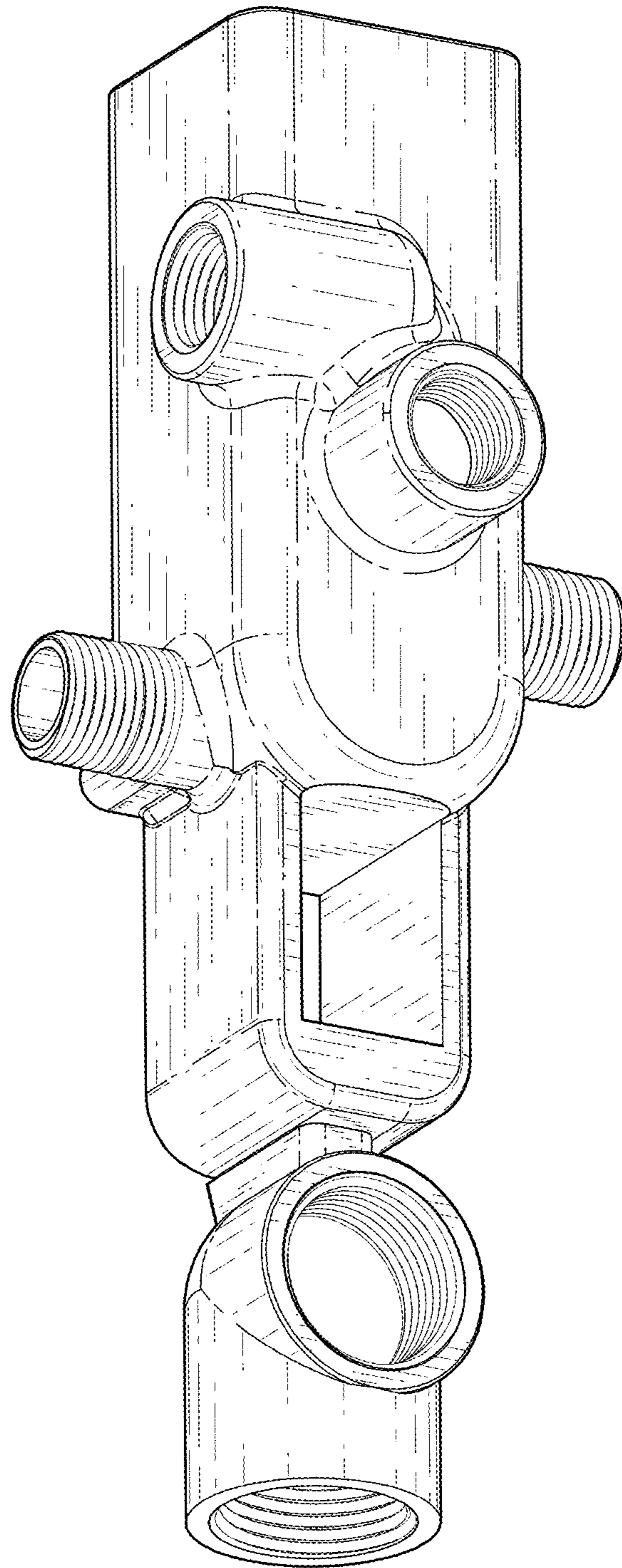


Fig. 2

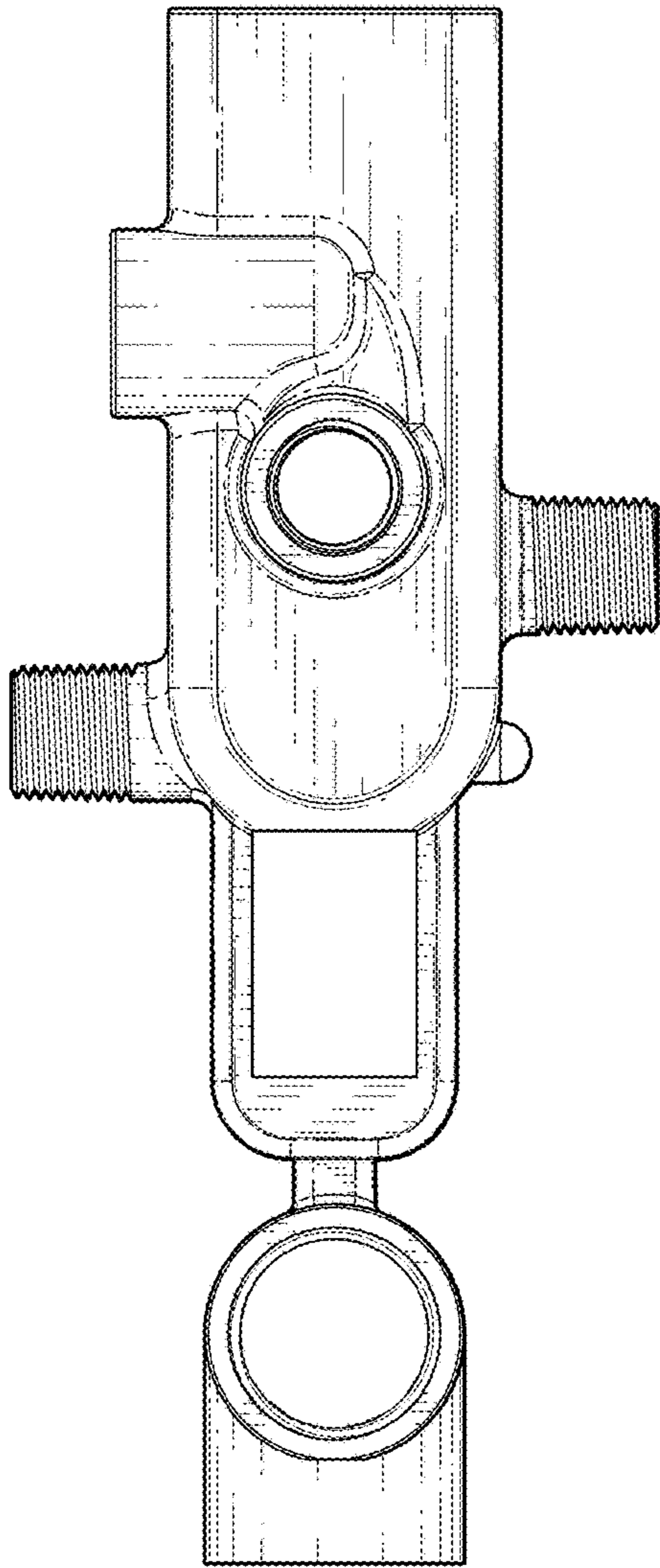


Fig. 3

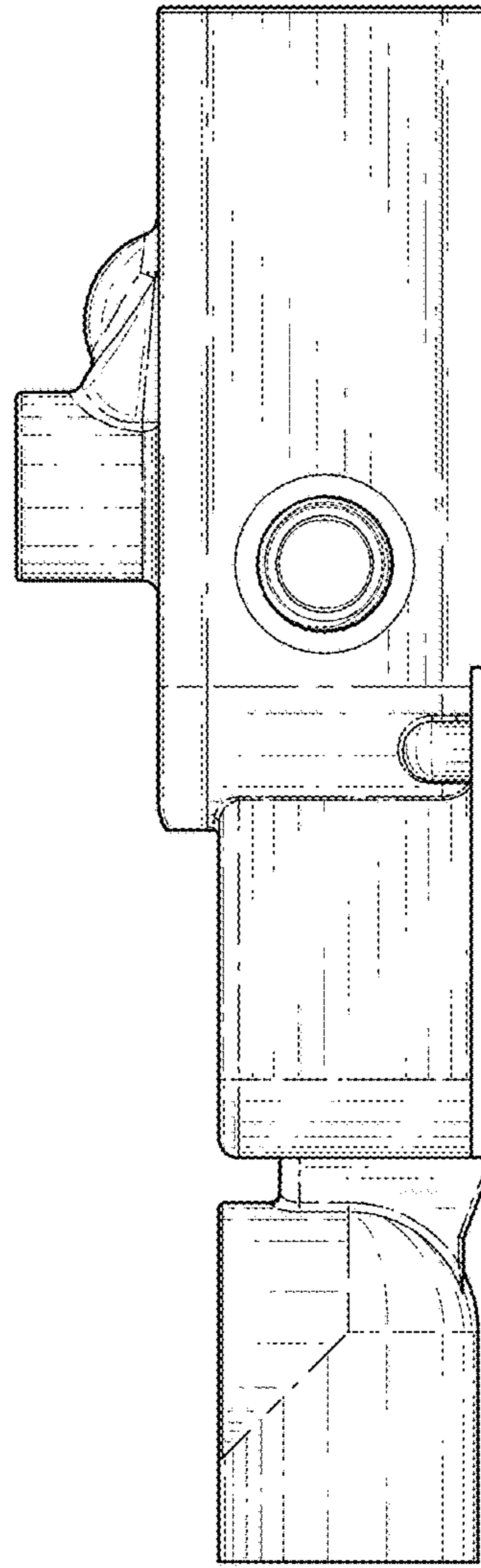


Fig. 4

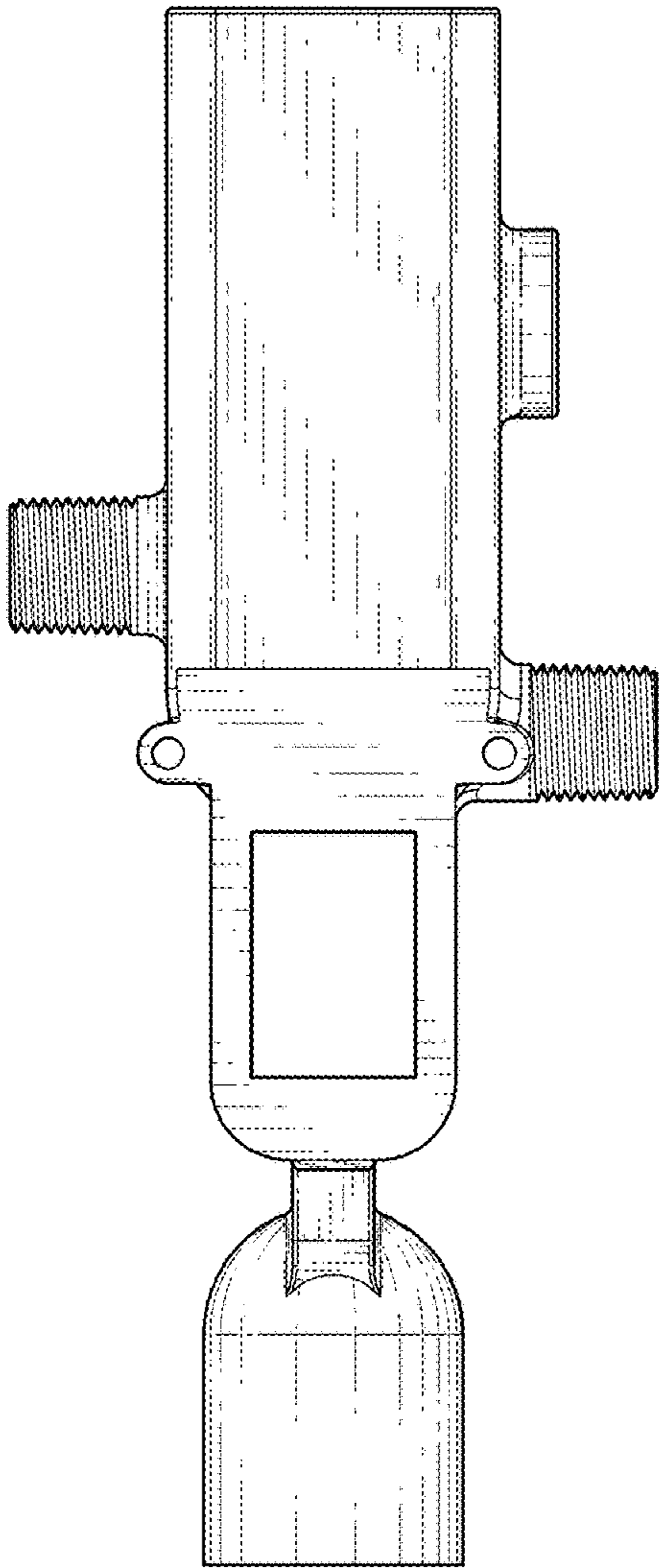


Fig. 5

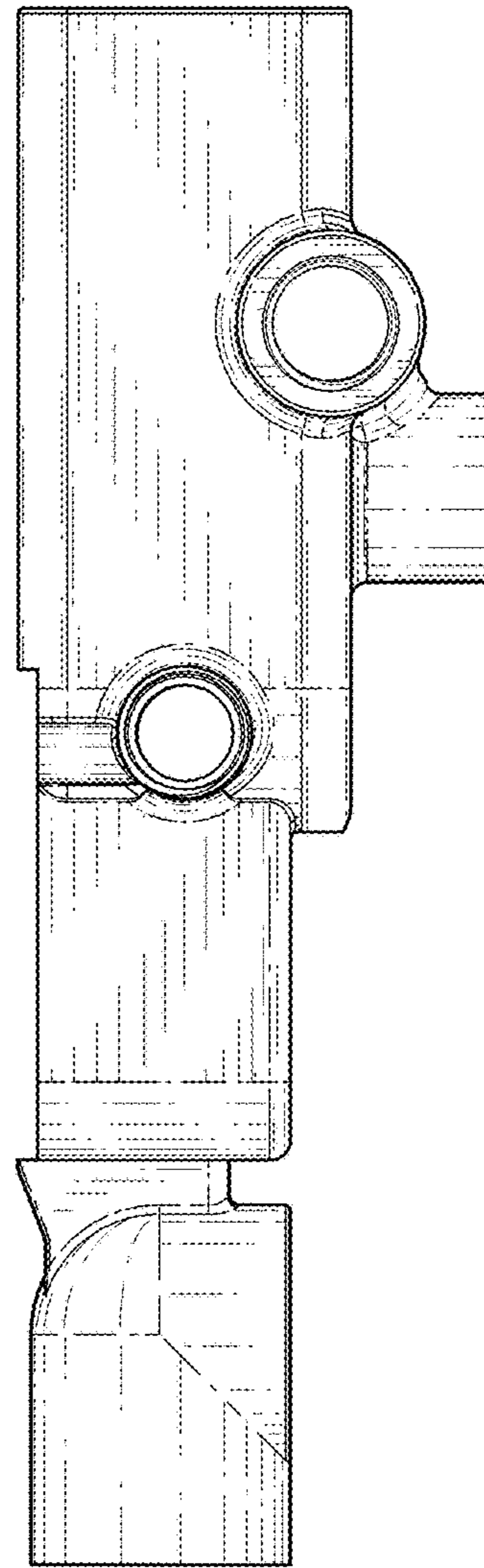


Fig. 6

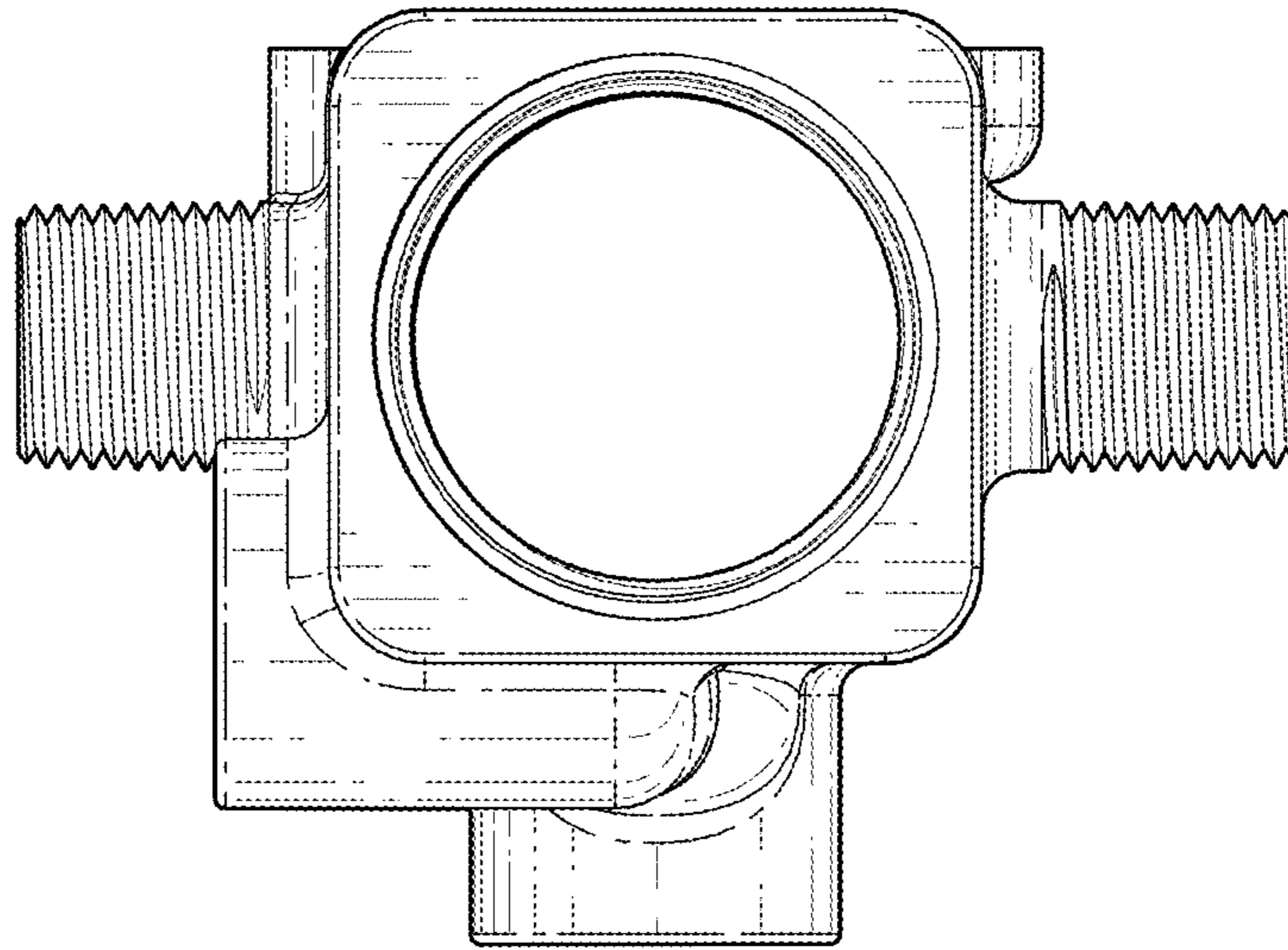


Fig. 7

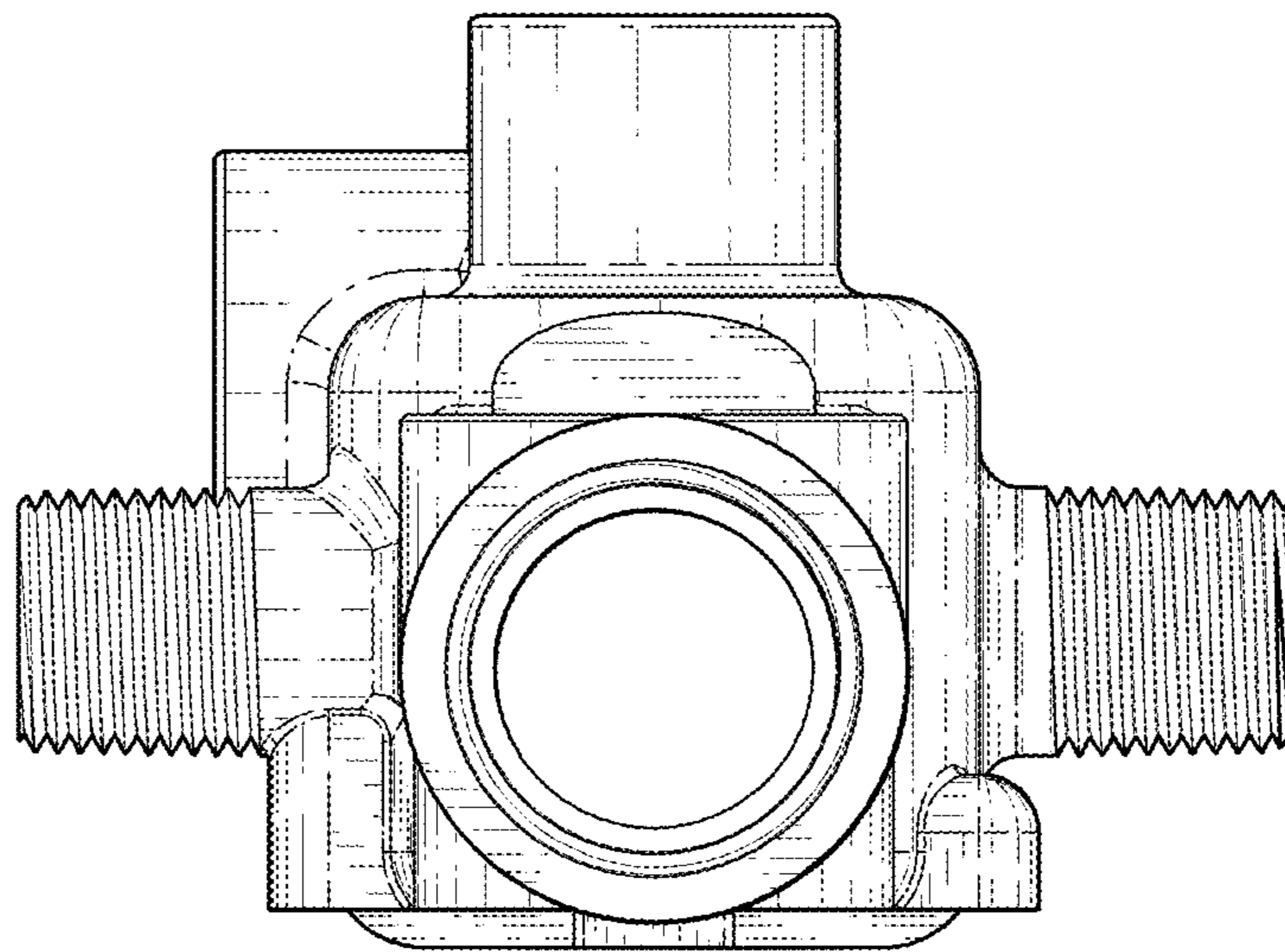


Fig. 8

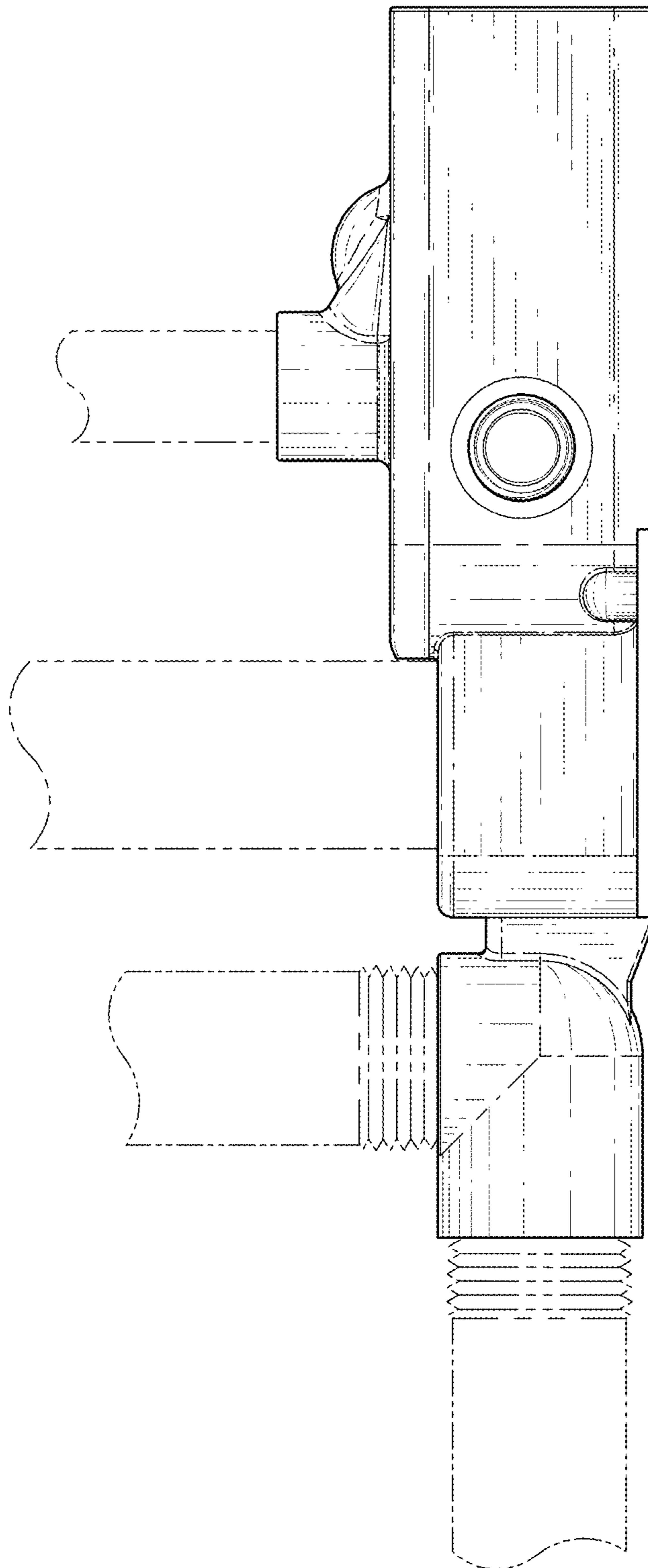


Fig. 9

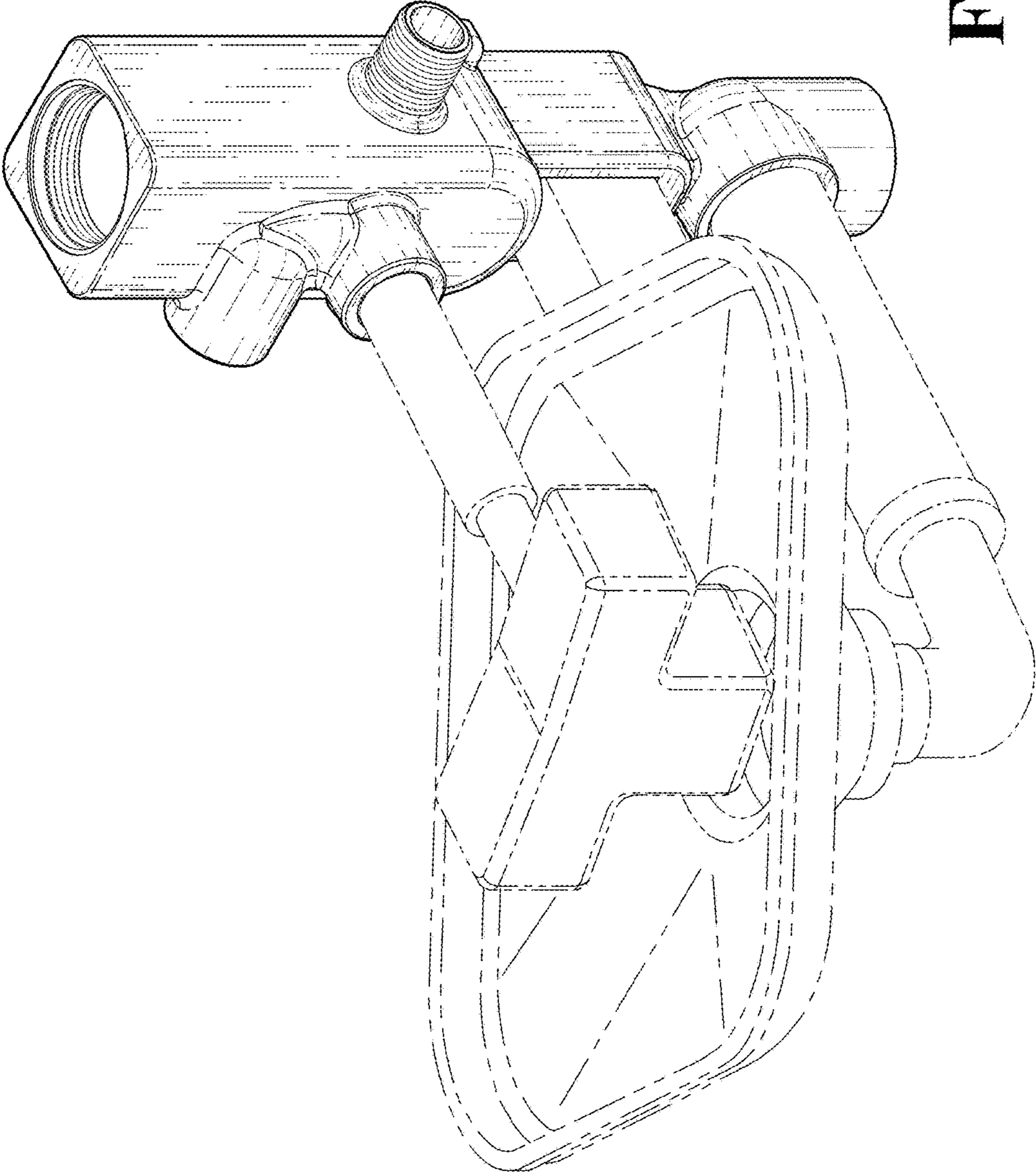


Fig. 10