



US00D773605S

(12) **United States Design Patent** (10) **Patent No.:** **US D773,605 S**  
**Hand** (45) **Date of Patent:** **\*\* Dec. 6, 2016**

(54) **ADAPTIVE PORTABLE HUNTING BLIND SYSTEM**

(71) Applicant: **Real Action Hunting Products, LLC,**  
Lawson, MO (US)

(72) Inventor: **Scott P. Hand,** Lawson, MO (US)

(73) Assignee: **Real Action Hunting Products, LLC,**  
Lawson, MO (US)

(\*\*) Term: **15 Years**

(21) Appl. No.: **29/527,345**

(22) Filed: **May 18, 2015**

4,777,755	A *	10/1988	Colburn .....	E04H 15/001	43/1
4,798,019	A	1/1989	Sury et al.		
5,062,234	A	11/1991	Green		
6,145,528	A	11/2000	Egnew et al.		
6,408,865	B1	6/2002	Bliss		
D532,075	S	11/2006	Turner		
7,234,275	B1	6/2007	Haggy et al.		
7,237,283	B2	7/2007	Devries		
7,401,566	B1	7/2008	Miknich		
7,549,434	B2	6/2009	Bean		
7,743,781	B2	6/2010	Slaughter		
7,828,003	B2	11/2010	Montecucco		
8,292,683	B2	10/2012	Axtell		
8,579,007	B2	11/2013	Pottmeyer et al.		
D697,166	S *	1/2014	Martinson .....	D22/199	
2001/0029880	A1	10/2001	McCarthy		
2010/0229906	A1	9/2010	Putman		

\* cited by examiner

**Related U.S. Application Data**

(63) Continuation-in-part of application No. 13/593,720,  
filed on Aug. 24, 2012, now Pat. No. 9,033,021.

(51) **LOC (10) Cl.** ..... **22-99**

(52) **U.S. Cl.**  
USPC ..... **D22/199**

(58) **Field of Classification Search**  
USPC ..... D22/125, 199; 135/98, 117, 20.1, 901;  
43/1; 52/71

CPC ... A01M 31/00; A01M 31/025; B63B 17/02;  
E04H 15/001; E04H 15/28

See application file for complete search history.

(56) **References Cited**

**U.S. PATENT DOCUMENTS**

2,577,983	A	12/1951	Van Vessem		
2,950,011	A	8/1960	Hemphill		
3,193,852	A	7/1965	Murrman		
3,936,969	A	2/1976	Richard		
4,070,722	A	1/1978	Sutherland		
D247,715	S *	4/1978	Worley, Jr. ....	D22/199	

*Primary Examiner* — Catheri Oliver-Garcia

(74) *Attorney, Agent, or Firm* — Law Office of Mark  
Brown, LLC; Christopher M. DeBacker

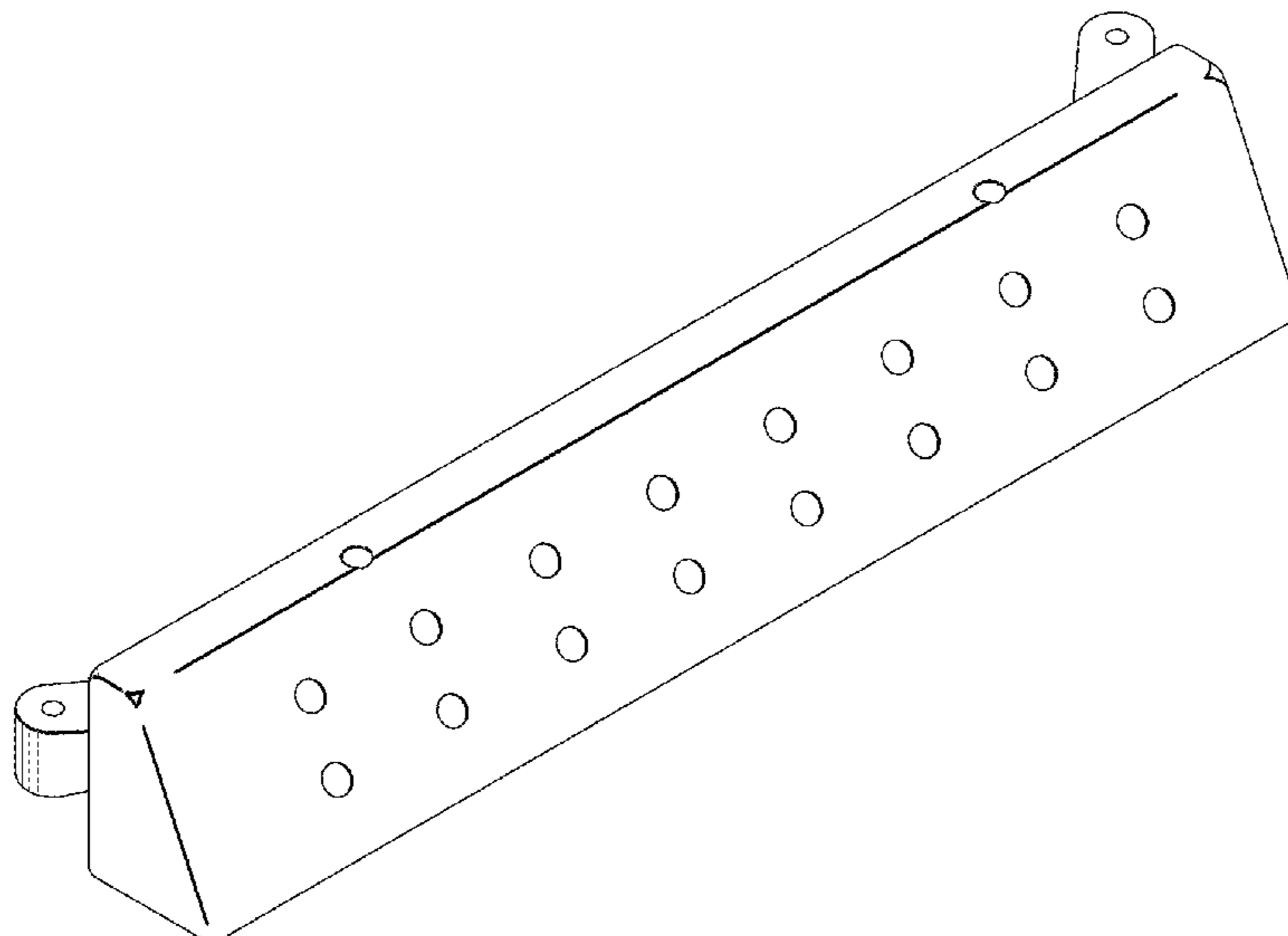
(57) **CLAIM**

The ornamental design for an adaptive portable hunting  
blind system, as shown and described.

**DESCRIPTION**

FIG. 1 is a perspective view of an adaptive portable hunting  
blind system;  
FIG. 2 is a front elevational view thereof;  
FIG. 3 is a rear elevational view thereof;  
FIG. 4 is a left side elevational view thereof;  
FIG. 5 is a right side elevational view thereof;  
FIG. 6 is a sectional view taken along line 6-6 in FIG. 2;  
FIG. 7 is a sectional view taken along line 7-7 in FIG. 2;  
FIG. 8 is a top plan view thereof; and,  
FIG. 9 is a bottom plan view thereof.

**1 Claim, 5 Drawing Sheets**



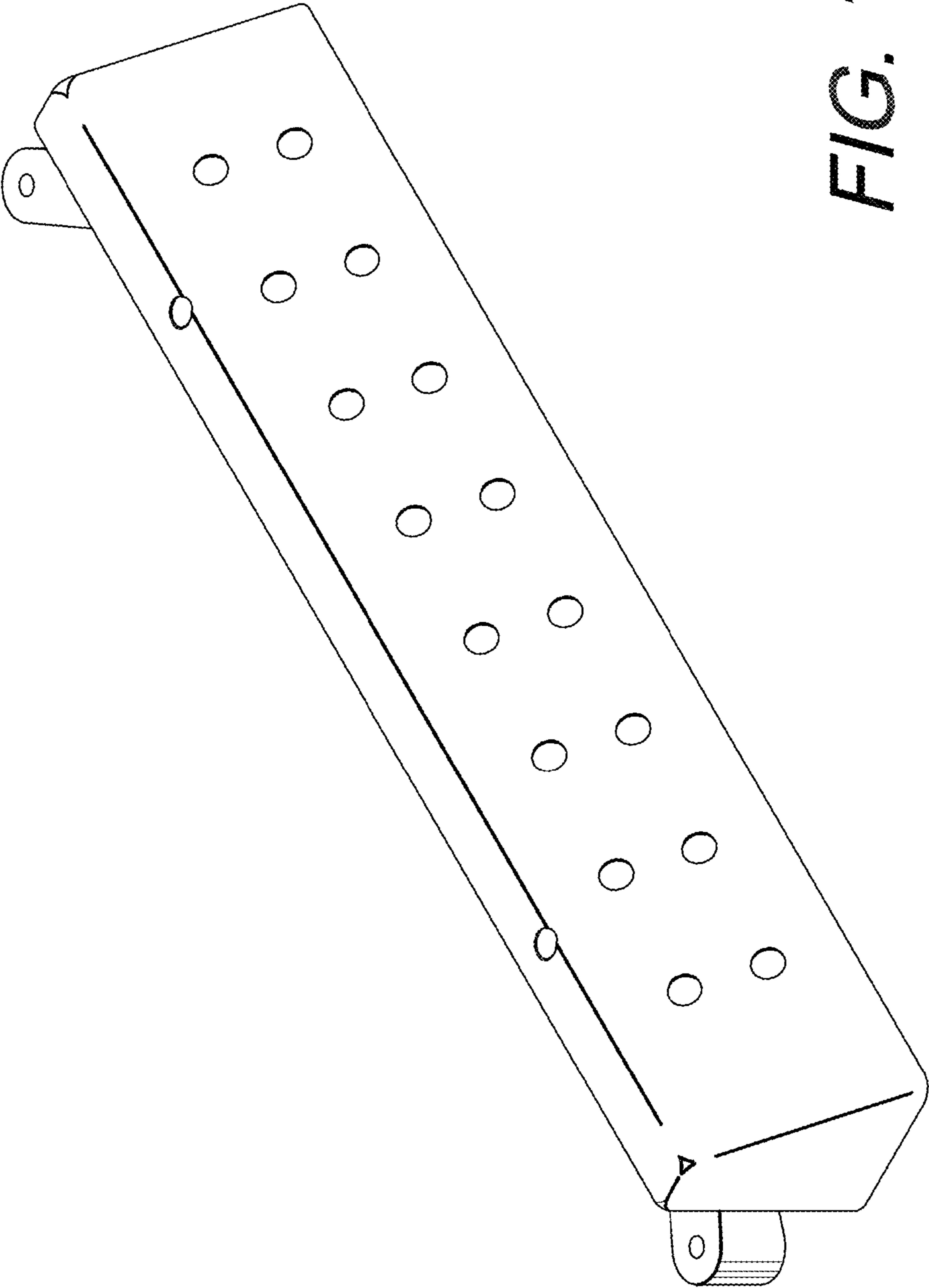


FIG. 1

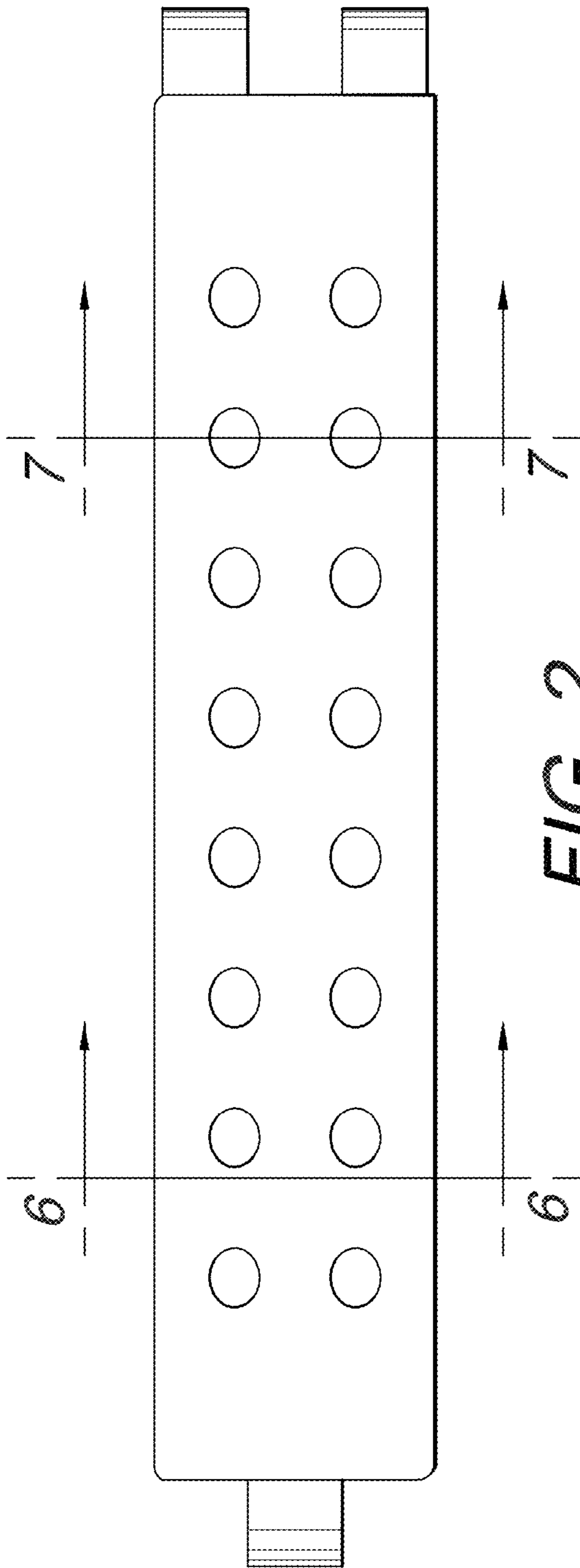


FIG. 2

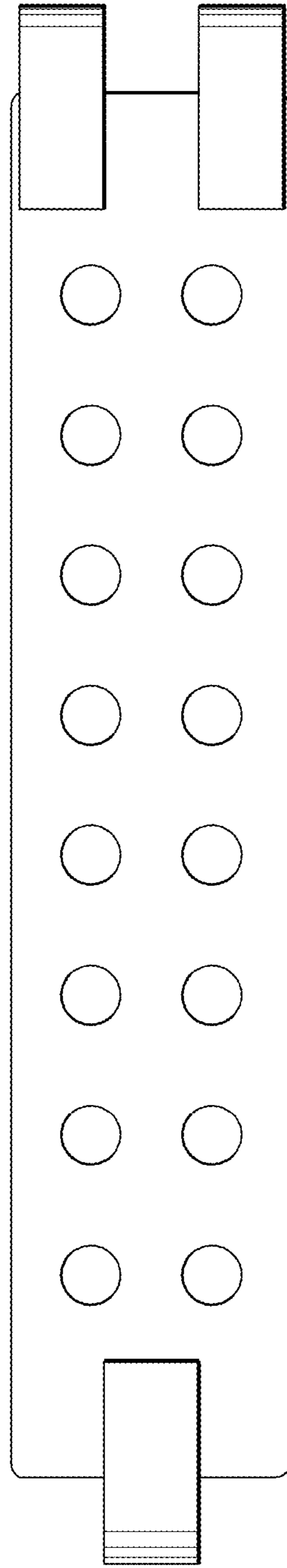
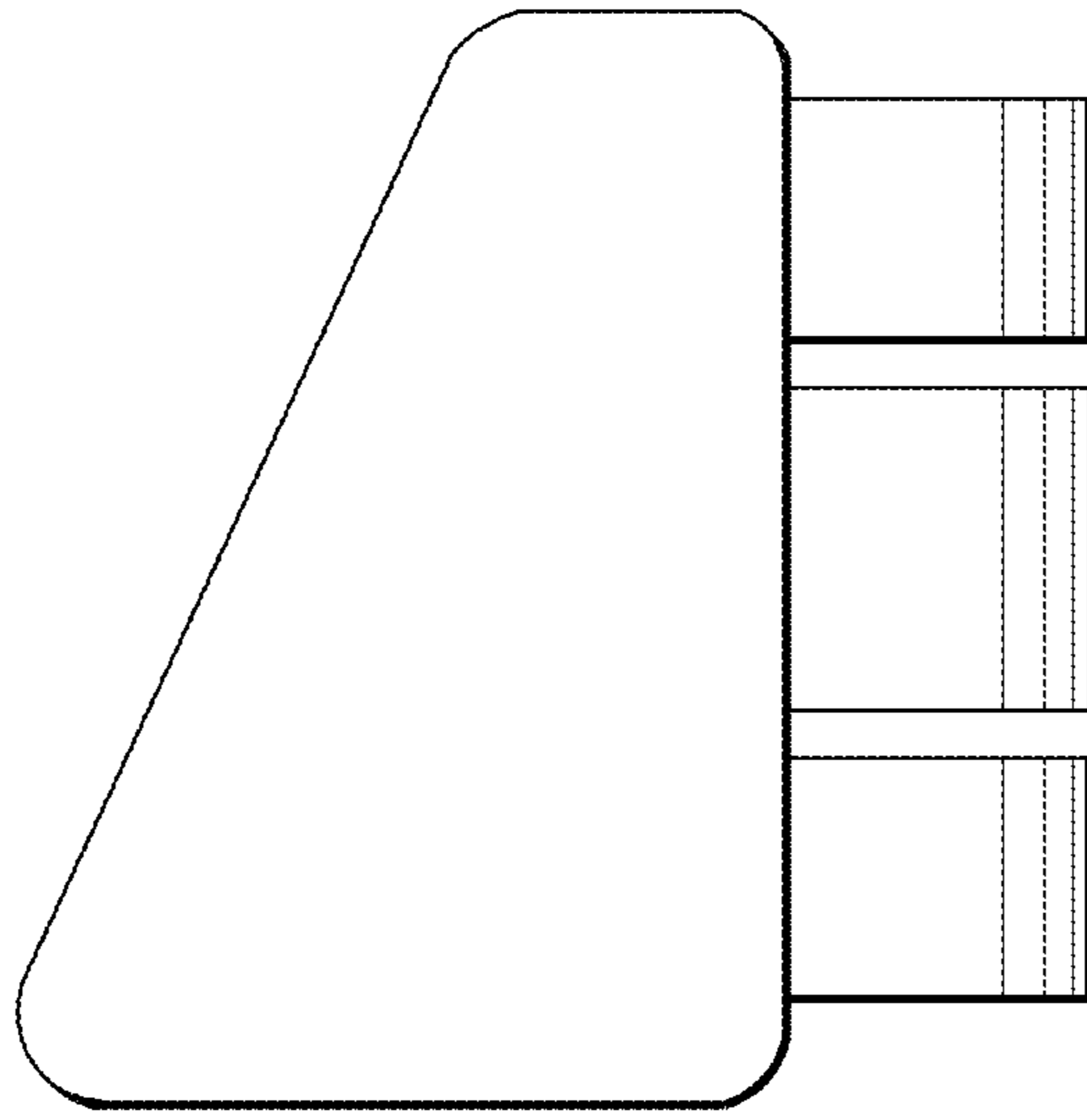
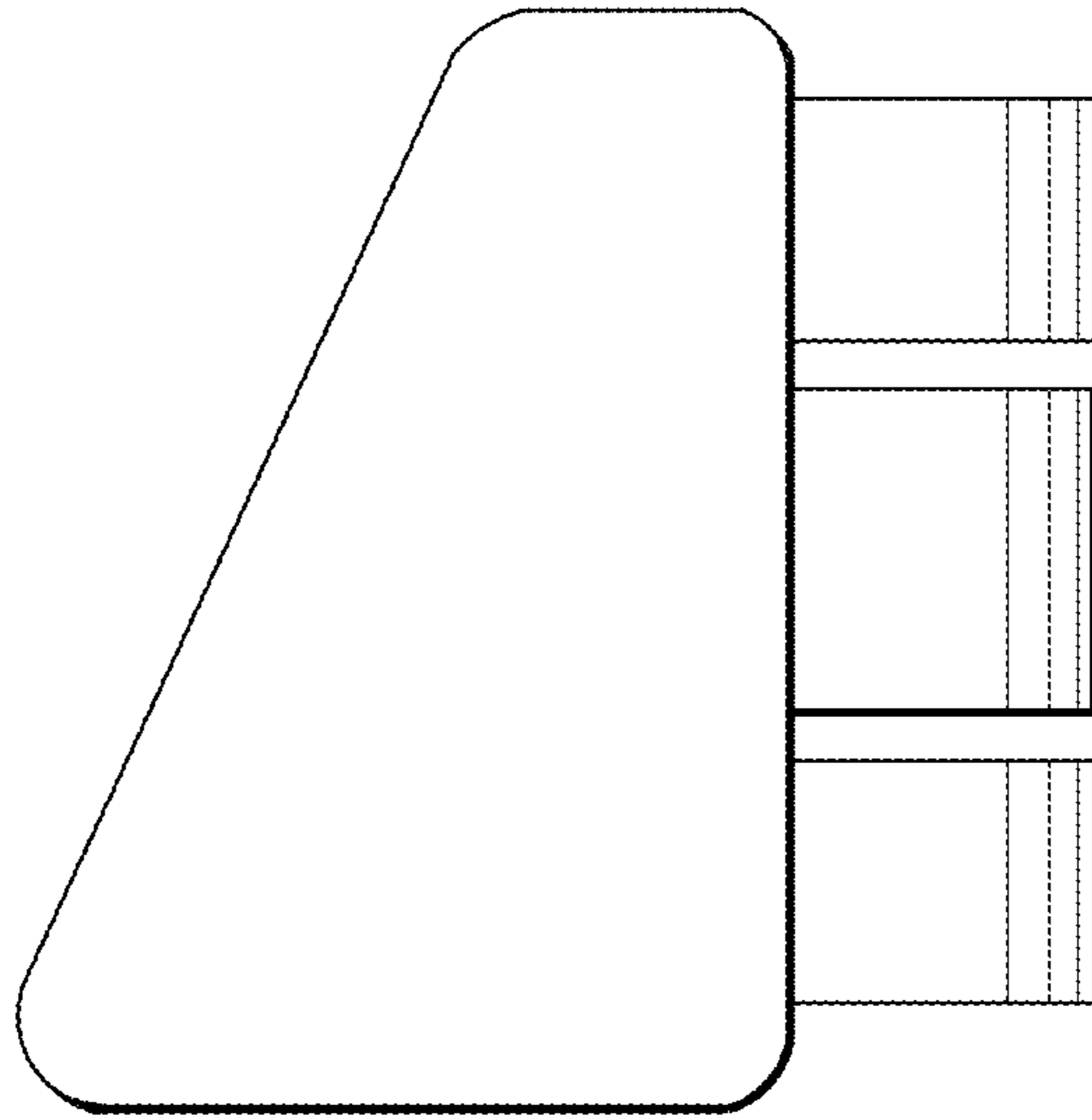


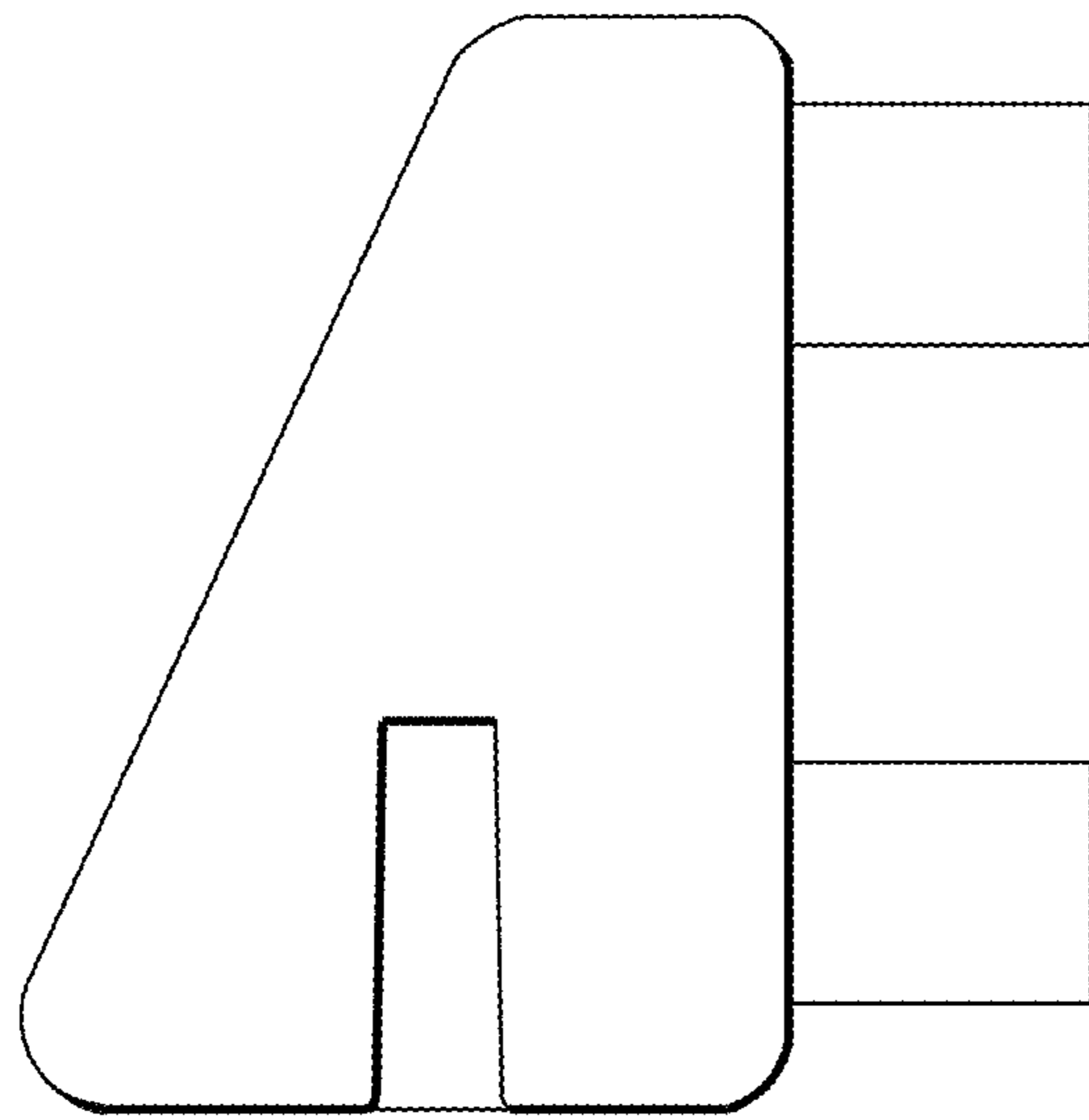
FIG. 3



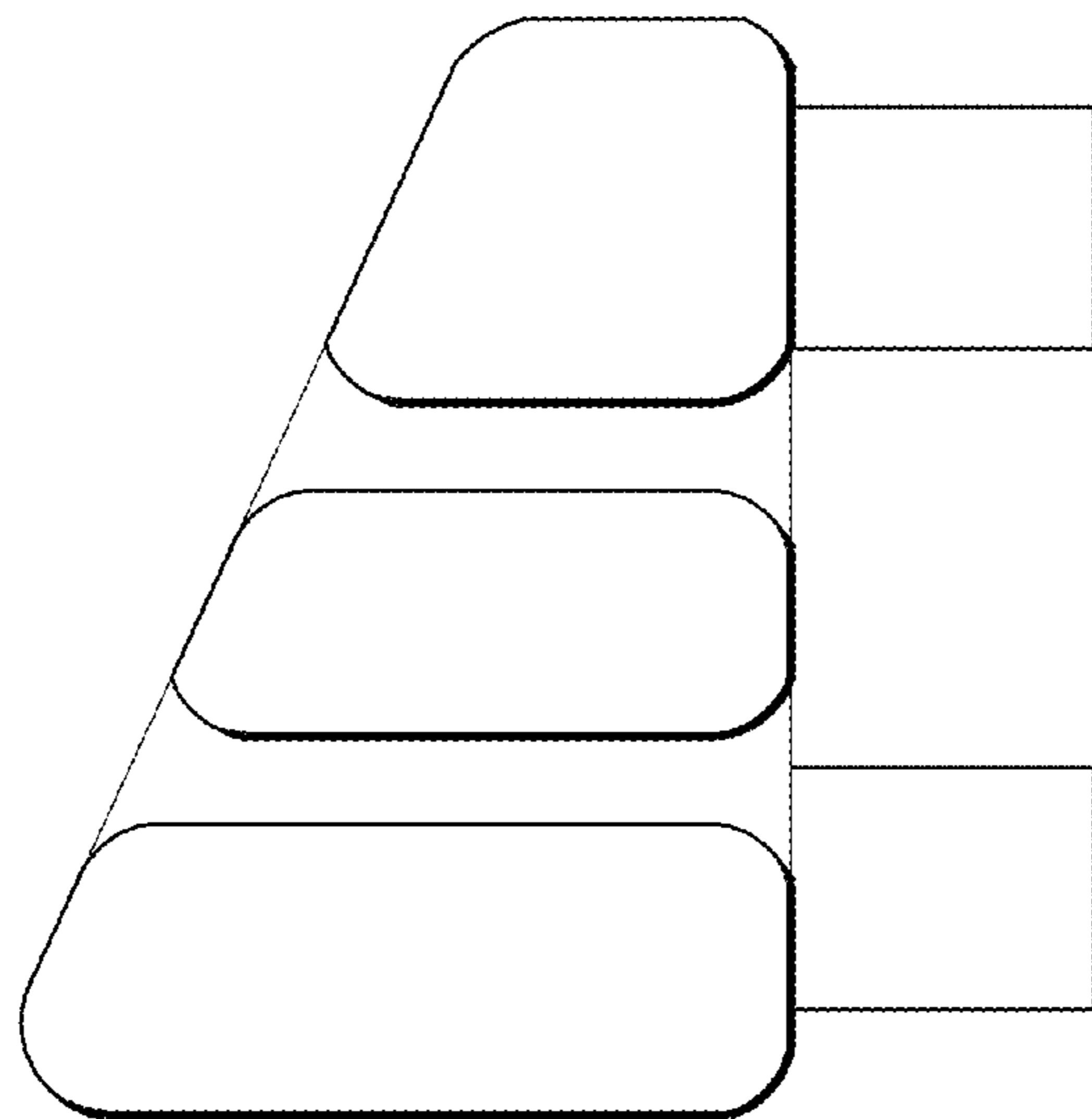
*FIG. 4*



*FIG. 5*



*FIG. 6*



*FIG. 7*

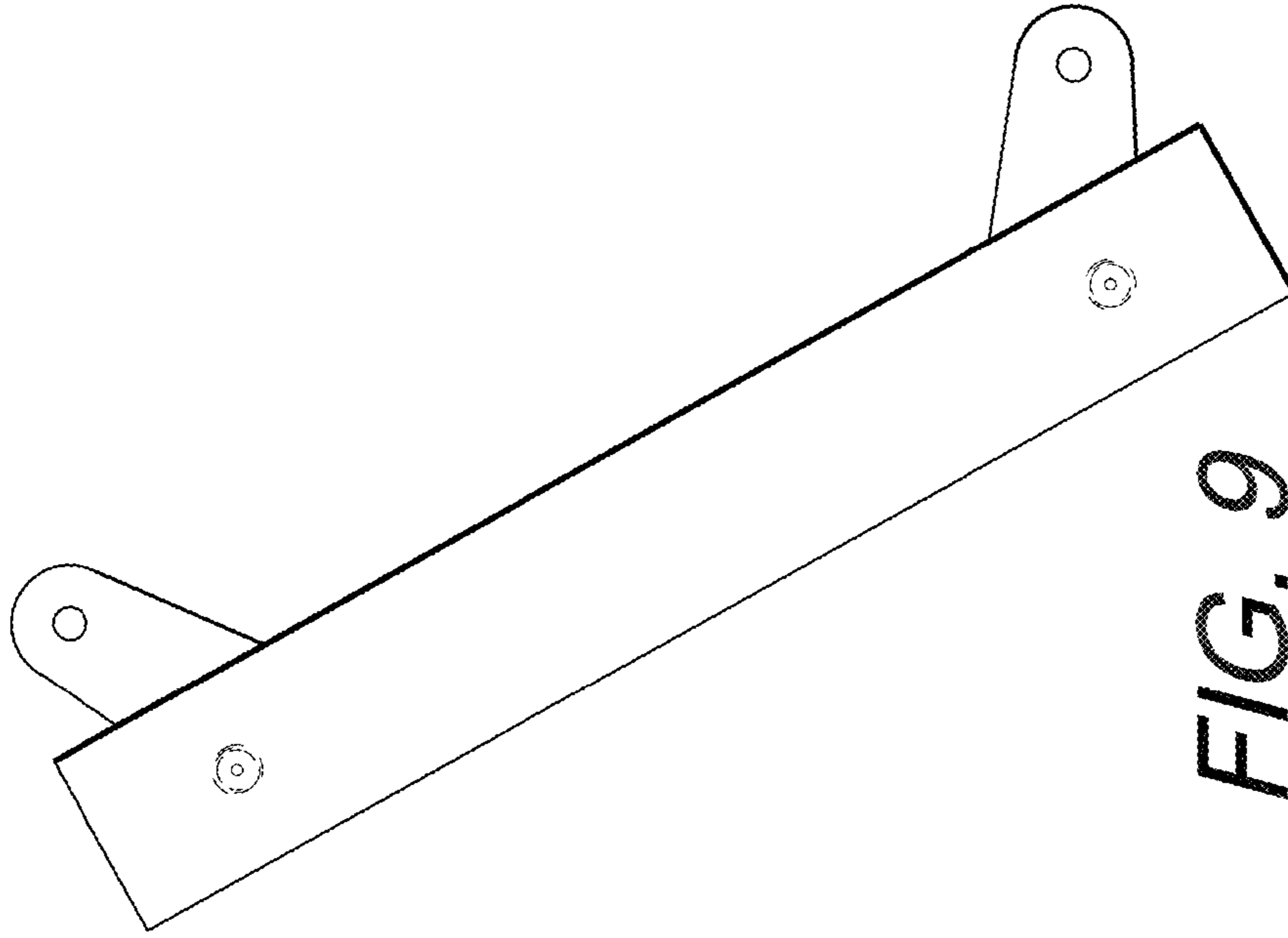


FIG. 9

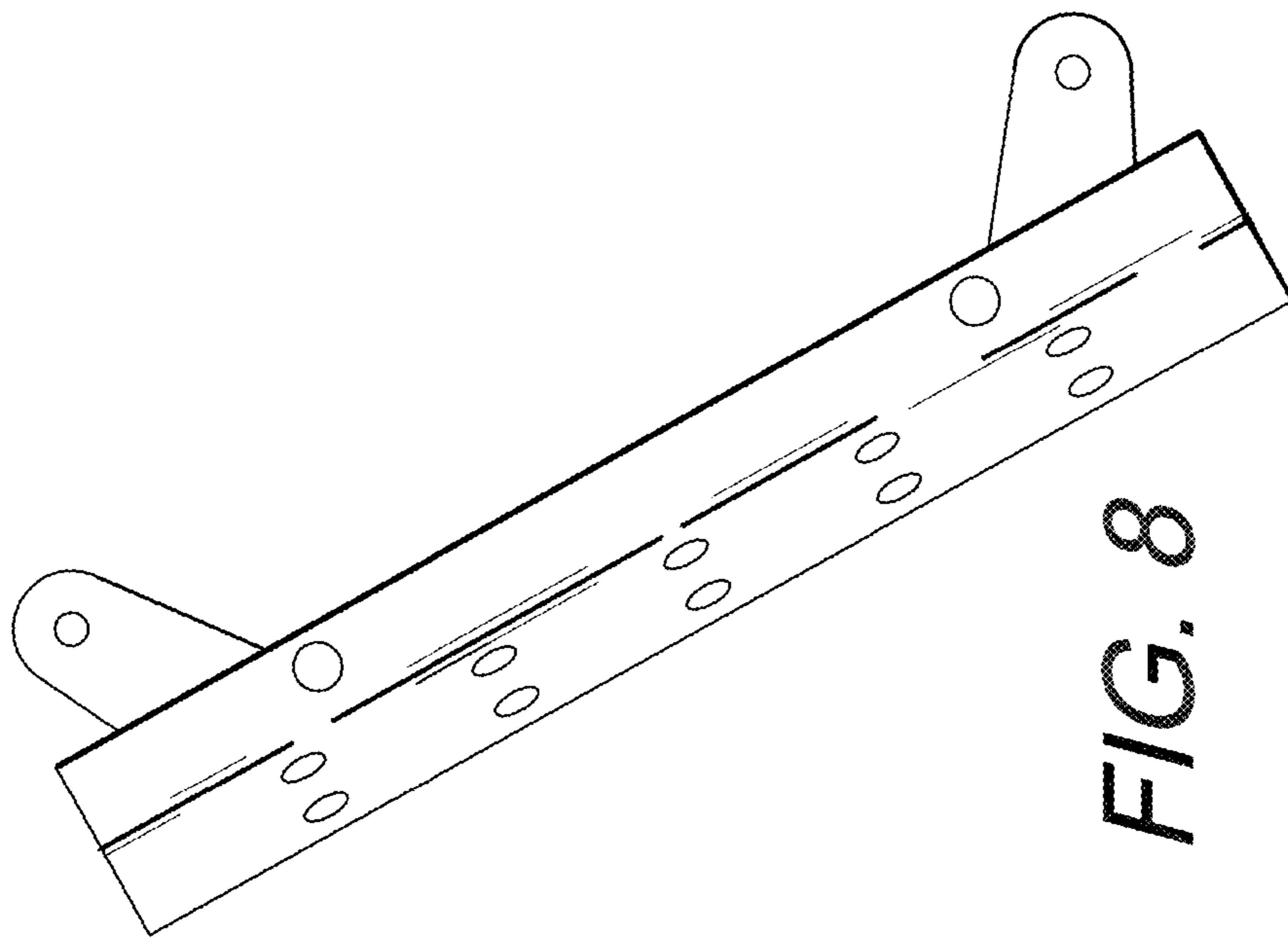


FIG. 8