



US00D773604S

(12) **United States Design Patent**  
**Wasankari**

(10) **Patent No.:** **US D773,604 S**

(45) **Date of Patent:** **\*\* Dec. 6, 2016**

(54) **AR TYPE BUFFER TUBE SUPPORT BRACKET**

(71) Applicant: **Nathan J Wasankari**, Rio Rancho, NM (US)

(72) Inventor: **Nathan J Wasankari**, Rio Rancho, NM (US)

(73) Assignee: **RAPTOR PRODUCTS, INC.**, Rio Rancho, NM (US)

(\*\*) Term: **15 Years**

(21) Appl. No.: **29/526,912**

(22) Filed: **May 13, 2015**

(51) **LOC (10) Cl.** ..... **22-99**

(52) **U.S. Cl.**  
USPC ..... **D22/199**

(58) **Field of Classification Search**  
USPC ..... D22/108–110, 114, 199; D6/368, 552  
CPC ..... F41A 23/10; F41A 23/18; F41A 17/44;  
F41A 23/16; F41A 29/00; B60R  
7/14; B60R 5/04; B60R 11/00; F41C  
27/00

See application file for complete search history.

(56) **References Cited**

U.S. PATENT DOCUMENTS

3,876,078 A \* 4/1975 Gomes ..... A47B 81/005  
211/64  
4,397,112 A \* 8/1983 York ..... F41A 23/08  
42/94

5,350,094 A \* 9/1994 Morford ..... B60R 7/14  
211/64  
5,626,379 A \* 5/1997 Scott ..... A47B 81/005  
211/195  
5,680,939 A \* 10/1997 Oliver ..... F41A 23/18  
211/64  
6,935,065 B1 \* 8/2005 Oliver ..... F41A 23/04  
211/64  
7,124,530 B1 \* 10/2006 Clark ..... F41A 23/18  
42/90  
D543,492 S \* 5/2007 Lyew ..... D12/159  
D763,741 S \* 8/2016 Chen ..... D12/159  
2015/0338187 A1 \* 11/2015 Priddy ..... F41C 23/22  
42/71.01

\* cited by examiner

*Primary Examiner* — Michael A Pratt

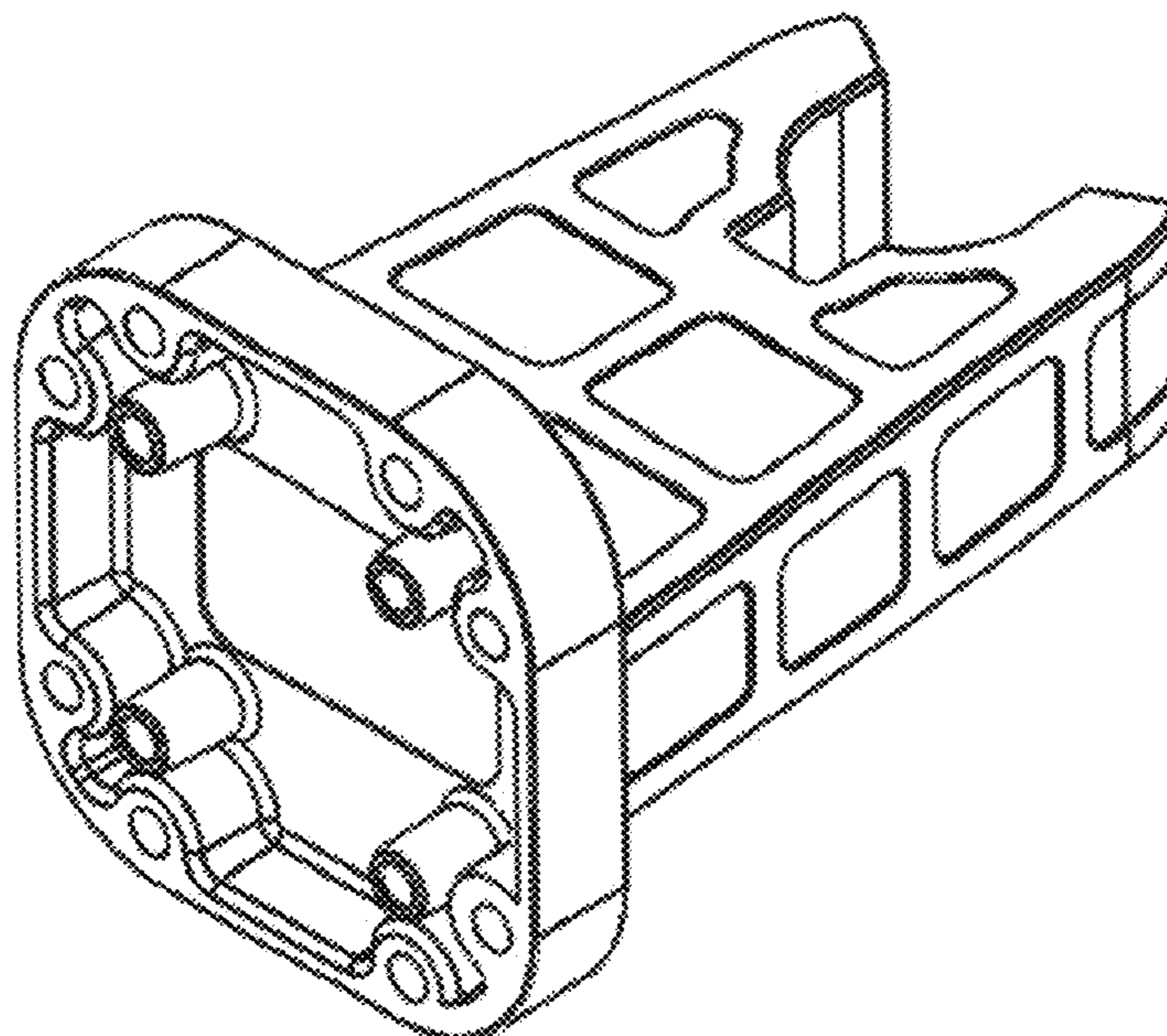
(57) **CLAIM**

The ornamental design for an AR type buffer tube support bracket, as shown and described herein.

**DESCRIPTION**

FIG. 1 is a perspective view of the AR type buffer tube support bracket, showing my new design; FIG. 2 is a bottom plain view thereof; FIG. 3 is a top plain view thereof; FIG. 4 is a side plain view thereof; FIG. 5 is a rear plain view thereof; and, FIG. 6 is a front plain view thereof.

**1 Claim, 1 Drawing Sheet**



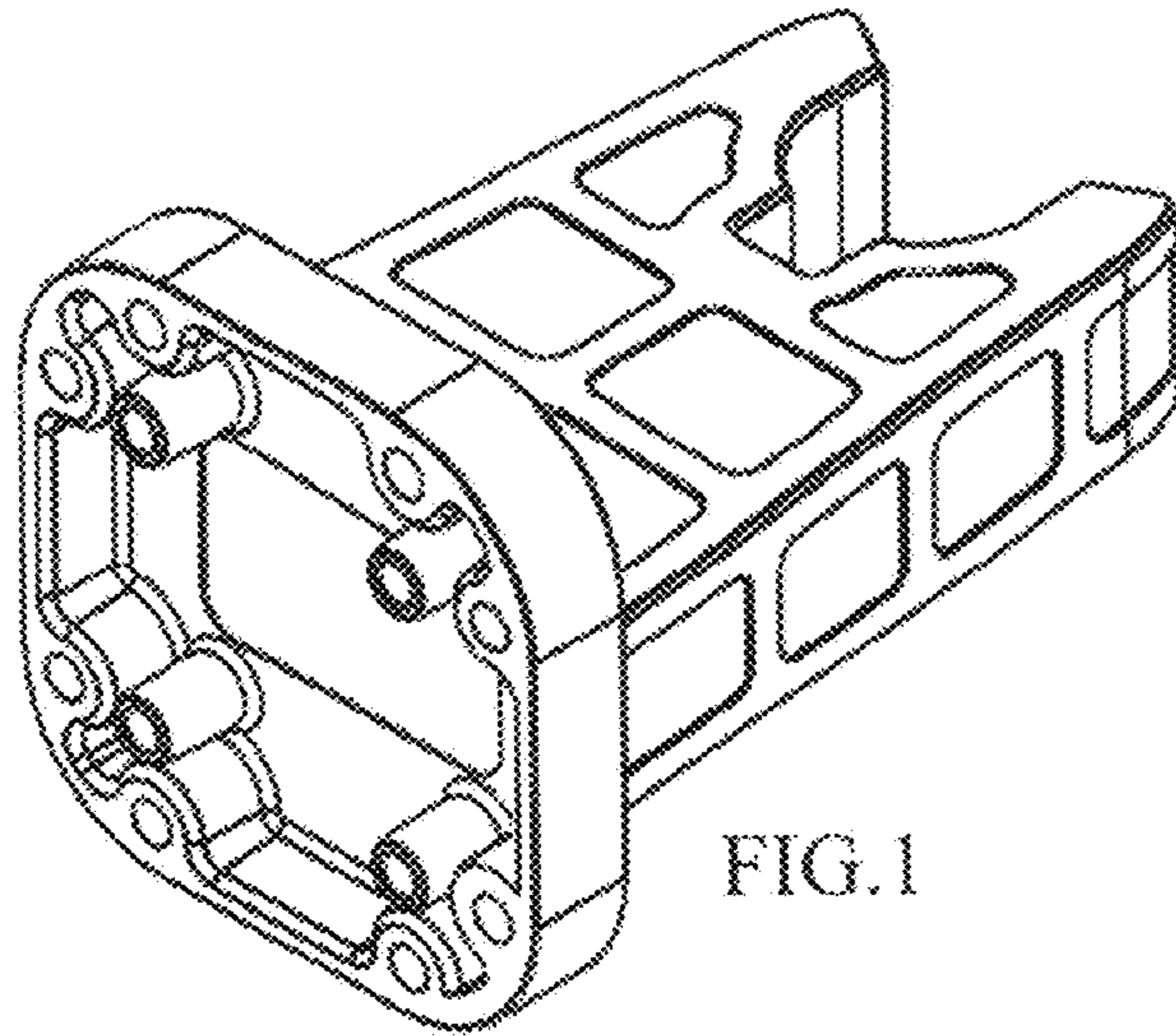


FIG. 1

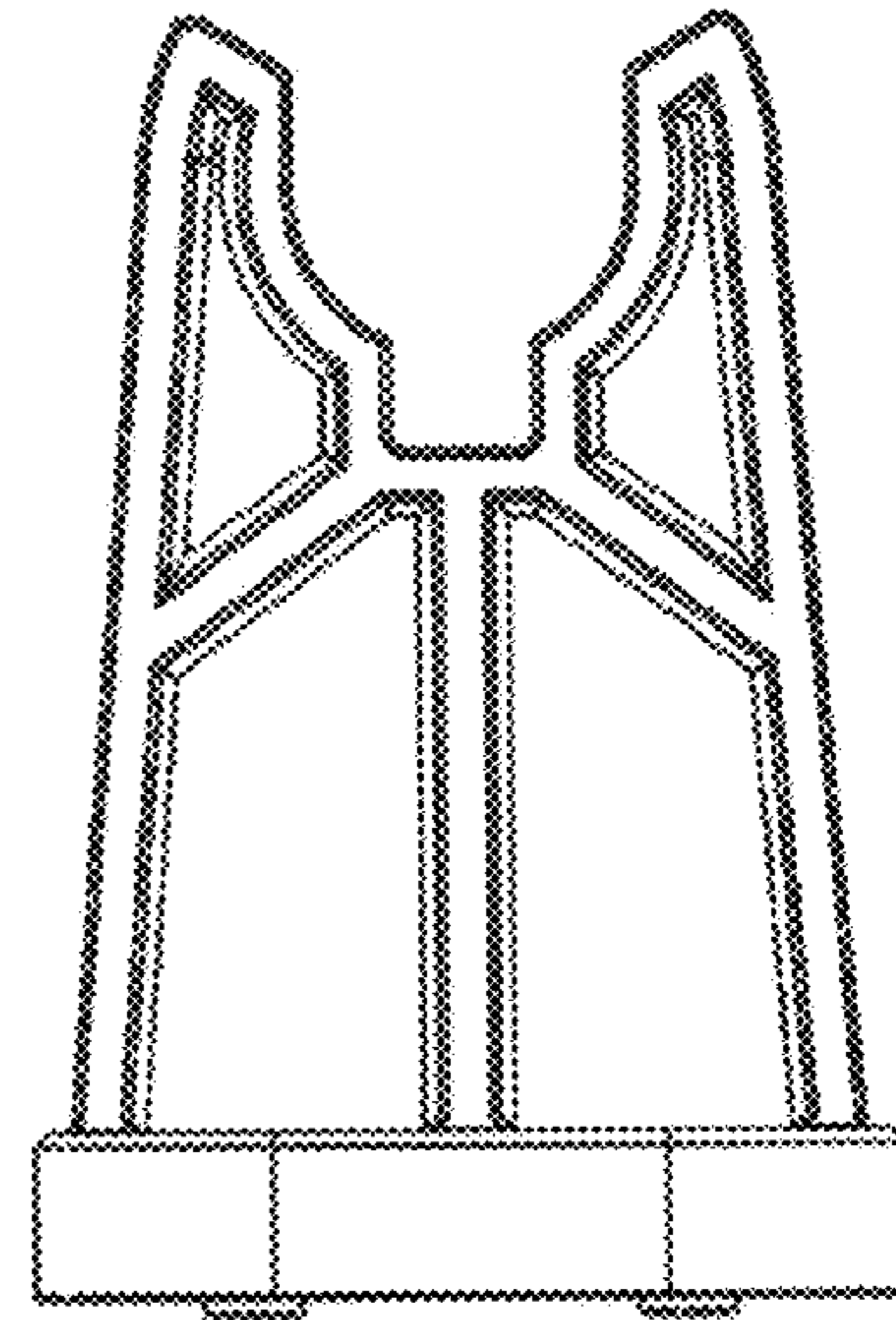


FIG. 2

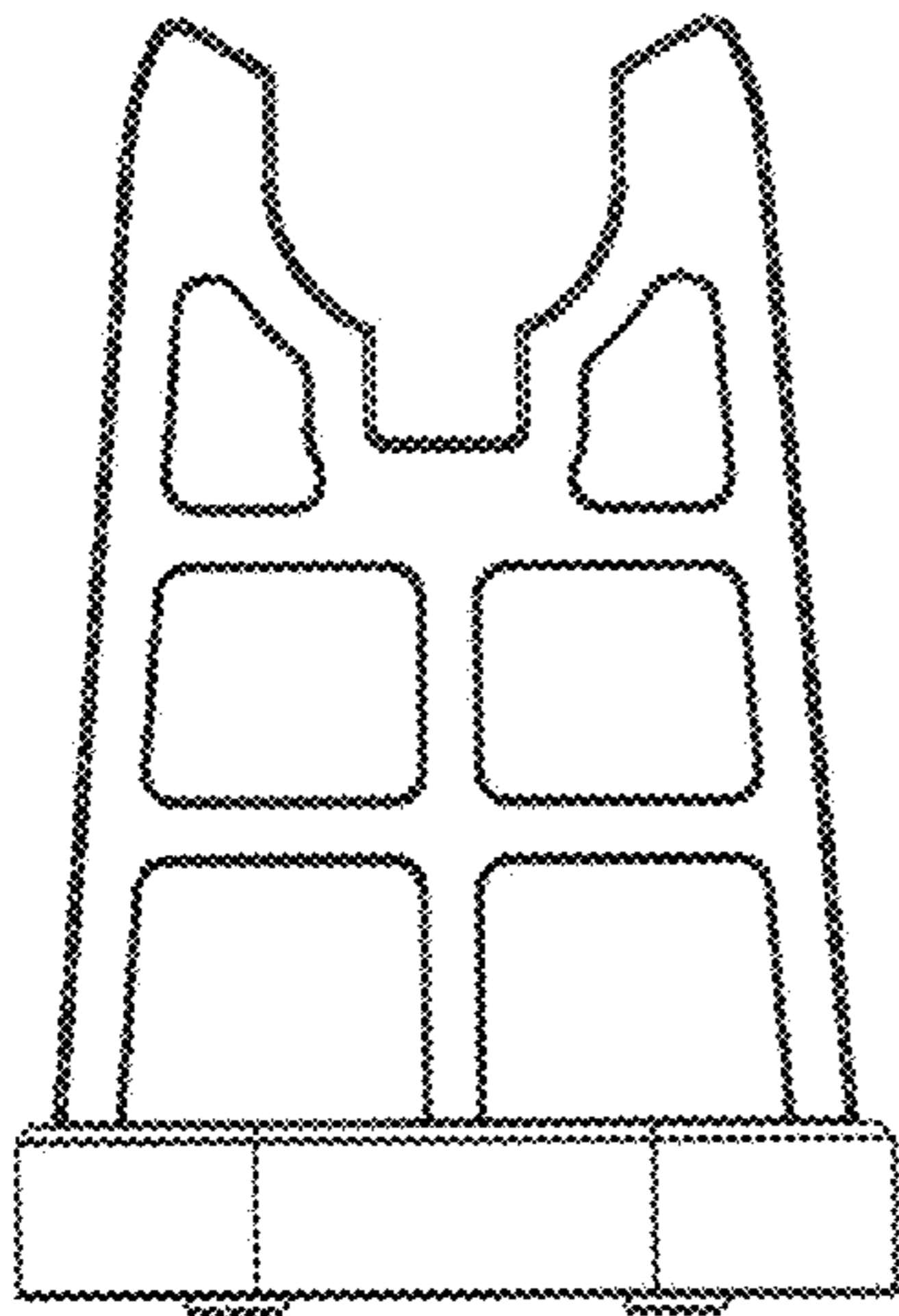


FIG. 3

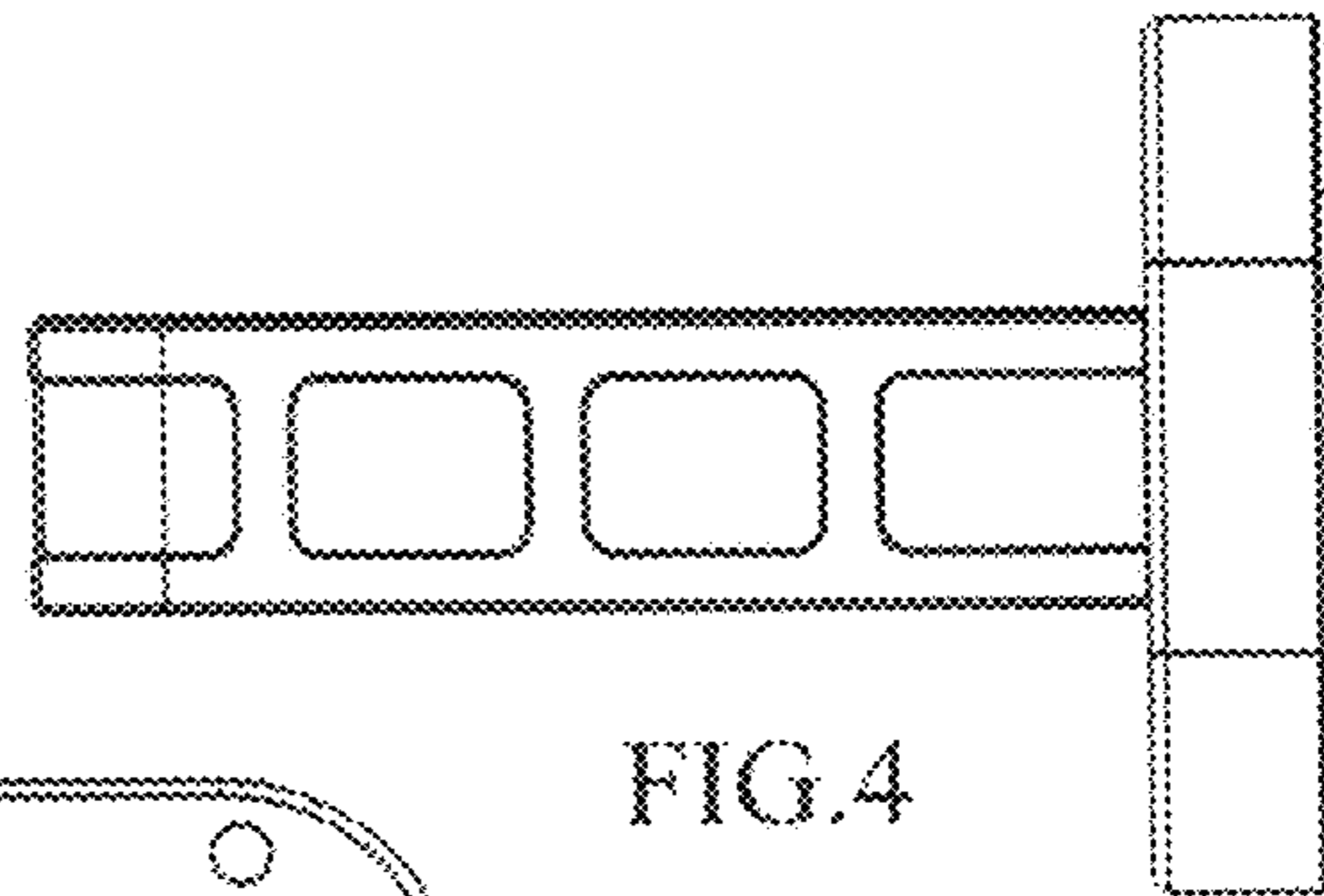


FIG. 4

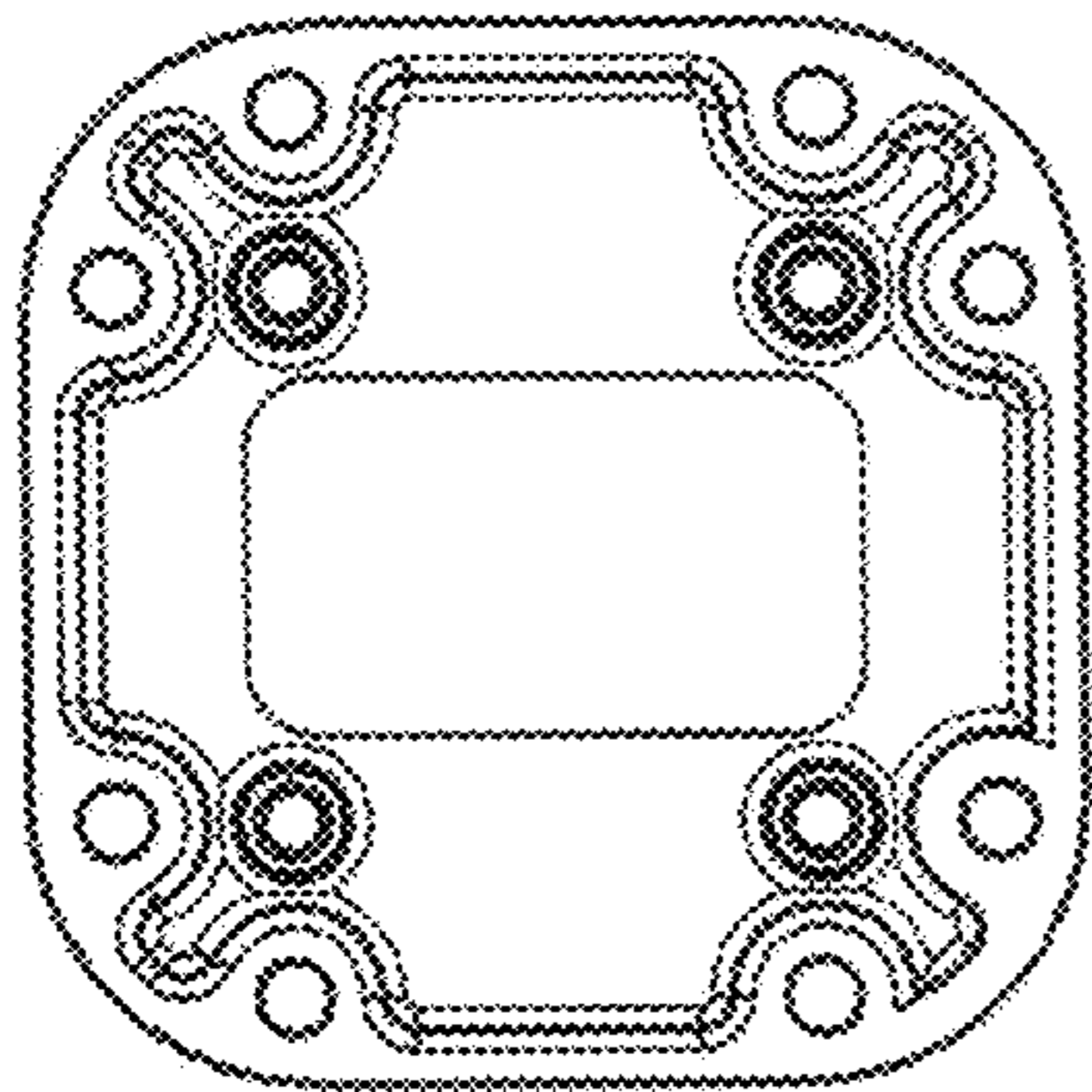


FIG. 5

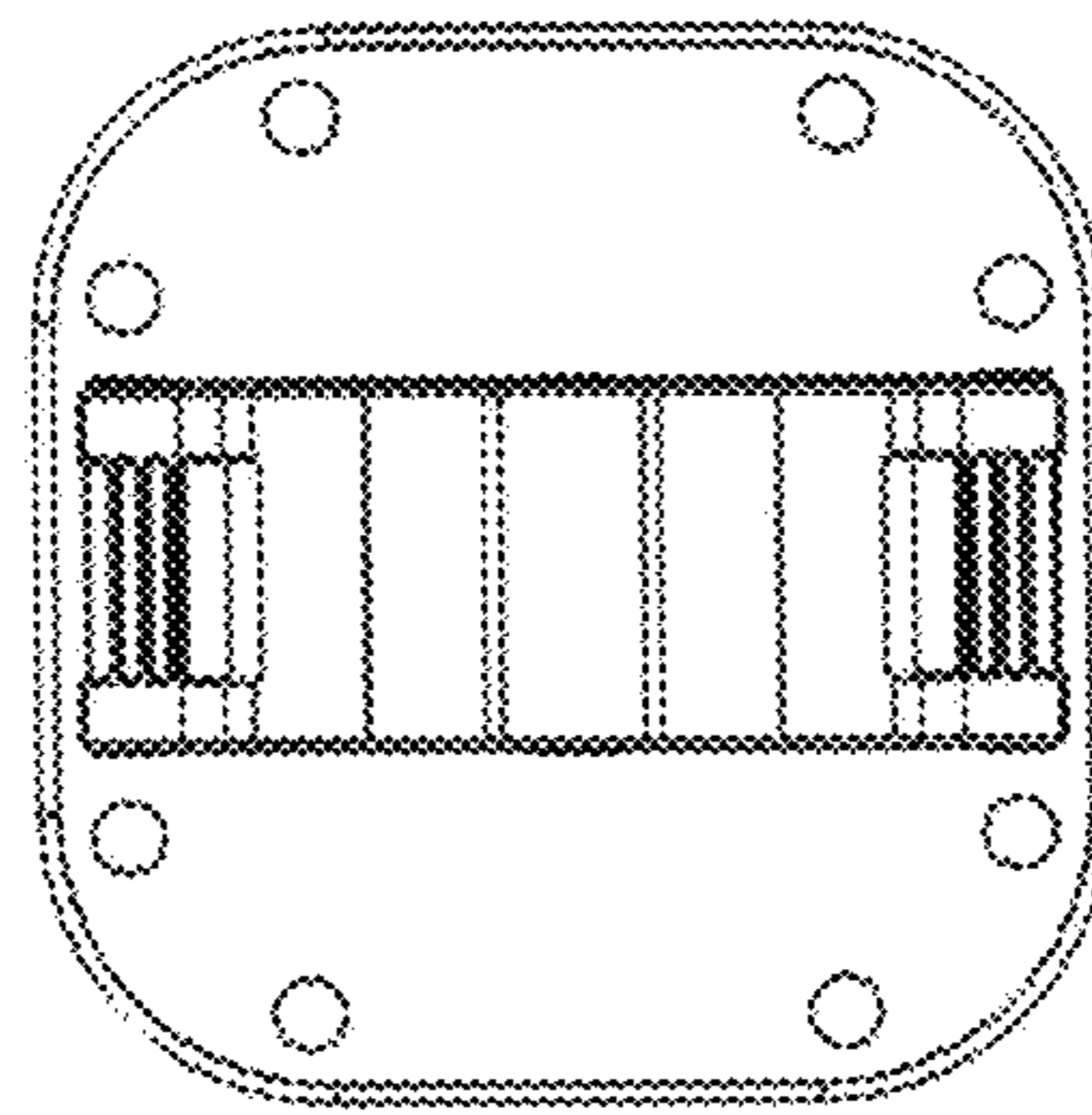


FIG. 6