

US00D773603S

(12) **United States Design Patent** (10) **Patent No.:** **US D773,603 S**
Woller (45) **Date of Patent:** **** Dec. 6, 2016**

(54) **FOLDING TREE MOUNTED PORTABLE HOIST**

7,544,120 B1 * 6/2009 Tardif A01M 31/006
452/187
D625,386 S 10/2010 Missildine
7,913,980 B1 3/2011 Cipriano
D718,410 S 11/2014 Woller
D750,865 S * 3/2016 Icton D34/33
9,282,752 B1 * 3/2016 Wylie A22B 5/06
2008/0085669 A1 * 4/2008 Burrows A22B 5/06
452/187

(71) Applicant: **Ronald Ray Woller**, Decatur, AL (US)

(72) Inventor: **Ronald Ray Woller**, Decatur, AL (US)

(73) Assignee: **VIKING SOLUTIONS, LLC**, Decatur, AL (US)

(**) Term: **15 Years**

(21) Appl. No.: **29/505,464**

(22) Filed: **Nov. 12, 2015**

(51) **LOC (10) Cl.** **22-99**

(52) **U.S. Cl.**
USPC **D22/199**

(58) **Field of Classification Search**
USPC D22/199; D34/33; 452/125, 185, 187
CPC A22B 5/00; A22B 5/06; A01M 31/006
See application file for complete search history.

(56) **References Cited**

U.S. PATENT DOCUMENTS

5,049,110 A 9/1991 Owens
D374,208 S 10/1996 Eva, Jr.
5,562,534 A * 10/1996 McGough A22B 5/06
452/187
5,820,455 A * 10/1998 Breedlove A22B 5/06
452/187
6,695,688 B1 2/2004 Owen
6,739,964 B2 5/2004 Gearhart
7,341,507 B1 3/2008 Julian, Sr.
7,476,149 B2 1/2009 Burrows

OTHER PUBLICATIONS

Viking Kwik Hoist Tree-Mounted Deer Hoist, 2000-2016.*

* cited by examiner

Primary Examiner — Catheri Oliver-Garcia

(57) **CLAIM**

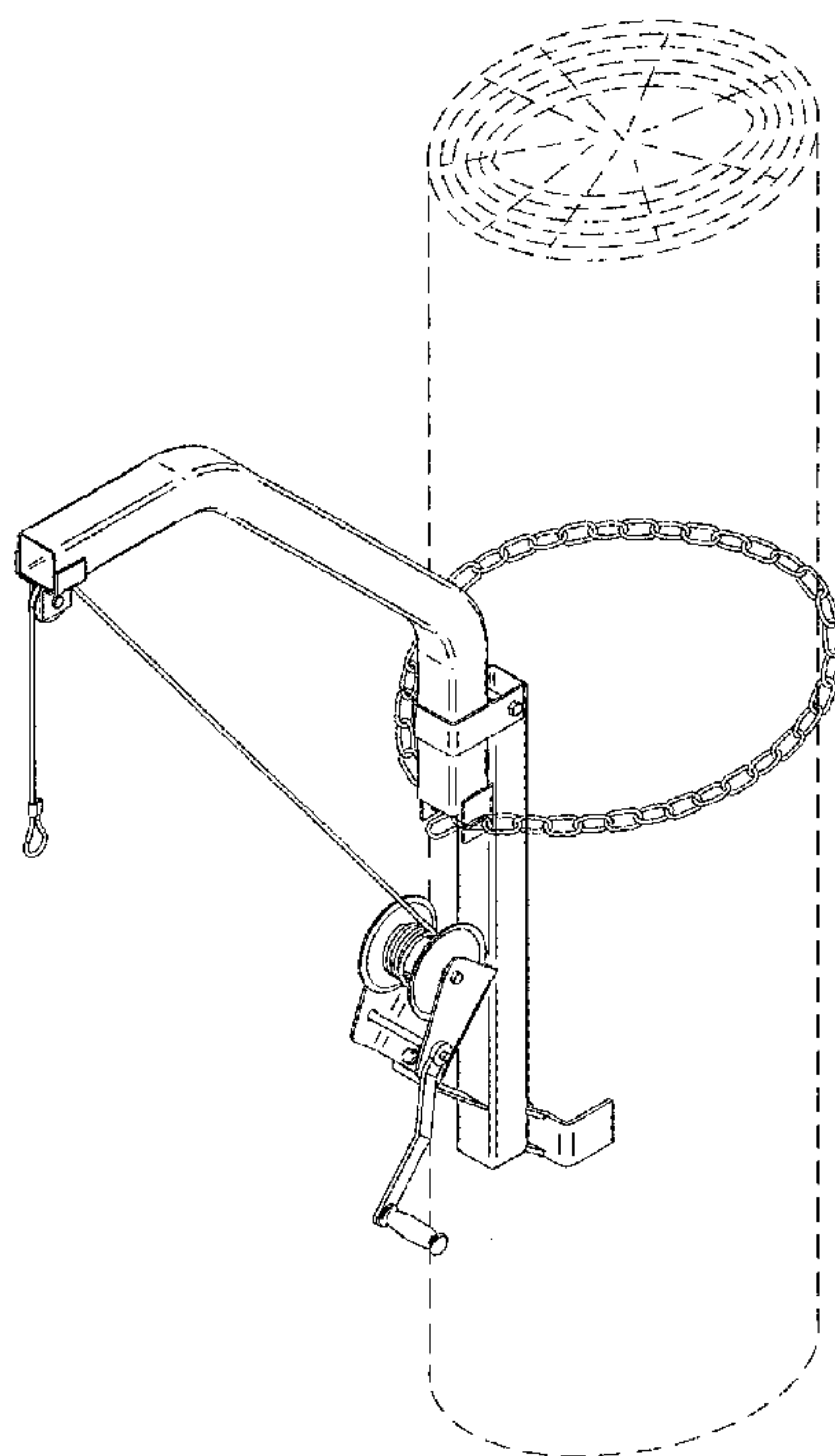
The ornamental design for a folding tree mounted portable hoist, as shown and described.

DESCRIPTION

FIG. 1 is a left, front and top perspective view of the folding tree mounted portable hoist;
FIG. 2 is a left, rear and top perspective view thereof;
FIG. 3 is a front elevation view thereof;
FIG. 4 is a left elevation view thereof;
FIG. 5 is a right elevation view thereof;
FIG. 6 is a top plan view thereof; and,
FIG. 7 is a bottom plan view thereof.

A folding tree mounted portable hoist for lifting heavy objects in the field, including a chain for connection to a tree. The broken lines depict environment and are included for illustrative purposes only and form no part of the claimed design.

1 Claim, 6 Drawing Sheets



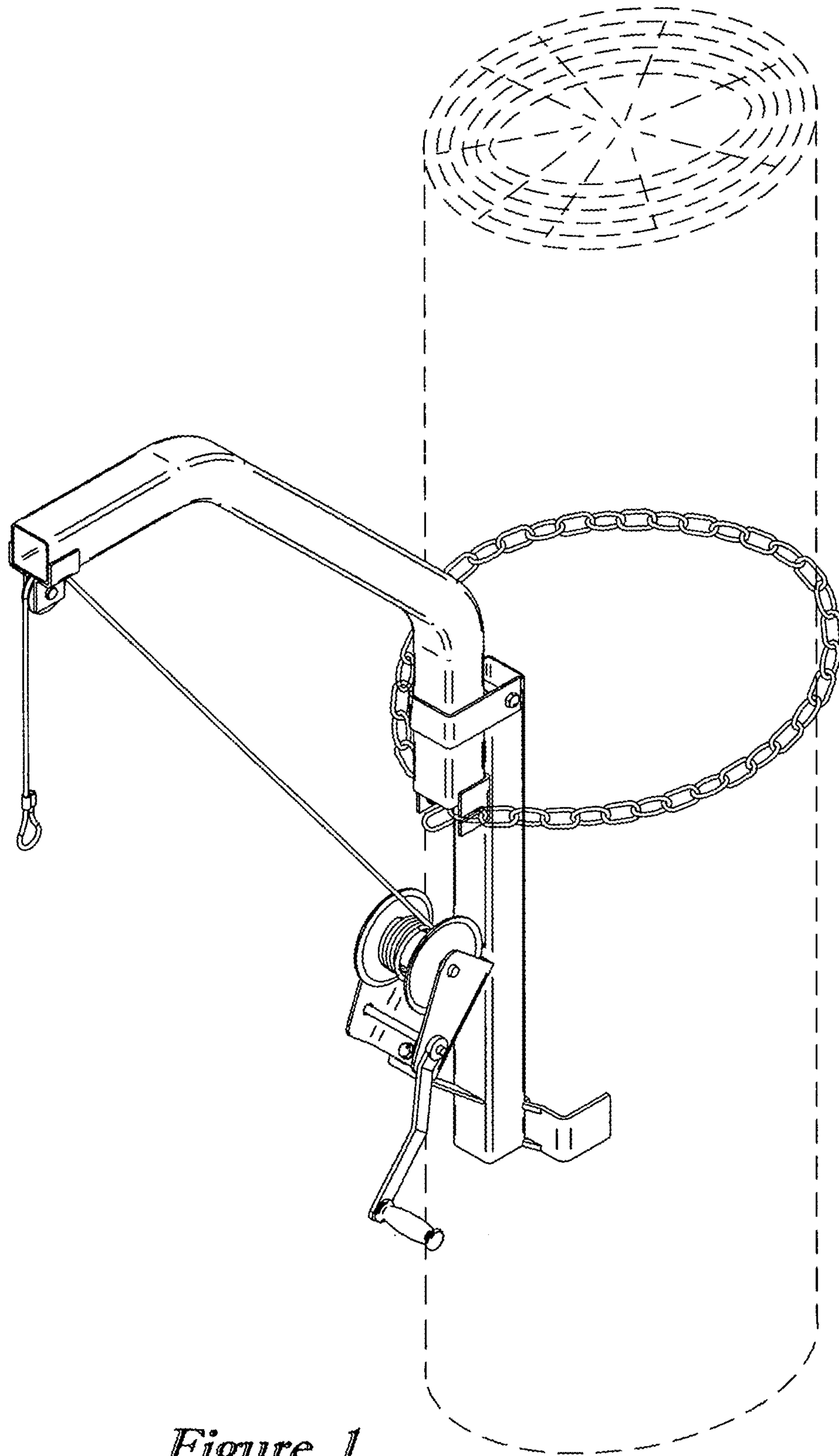


Figure 1

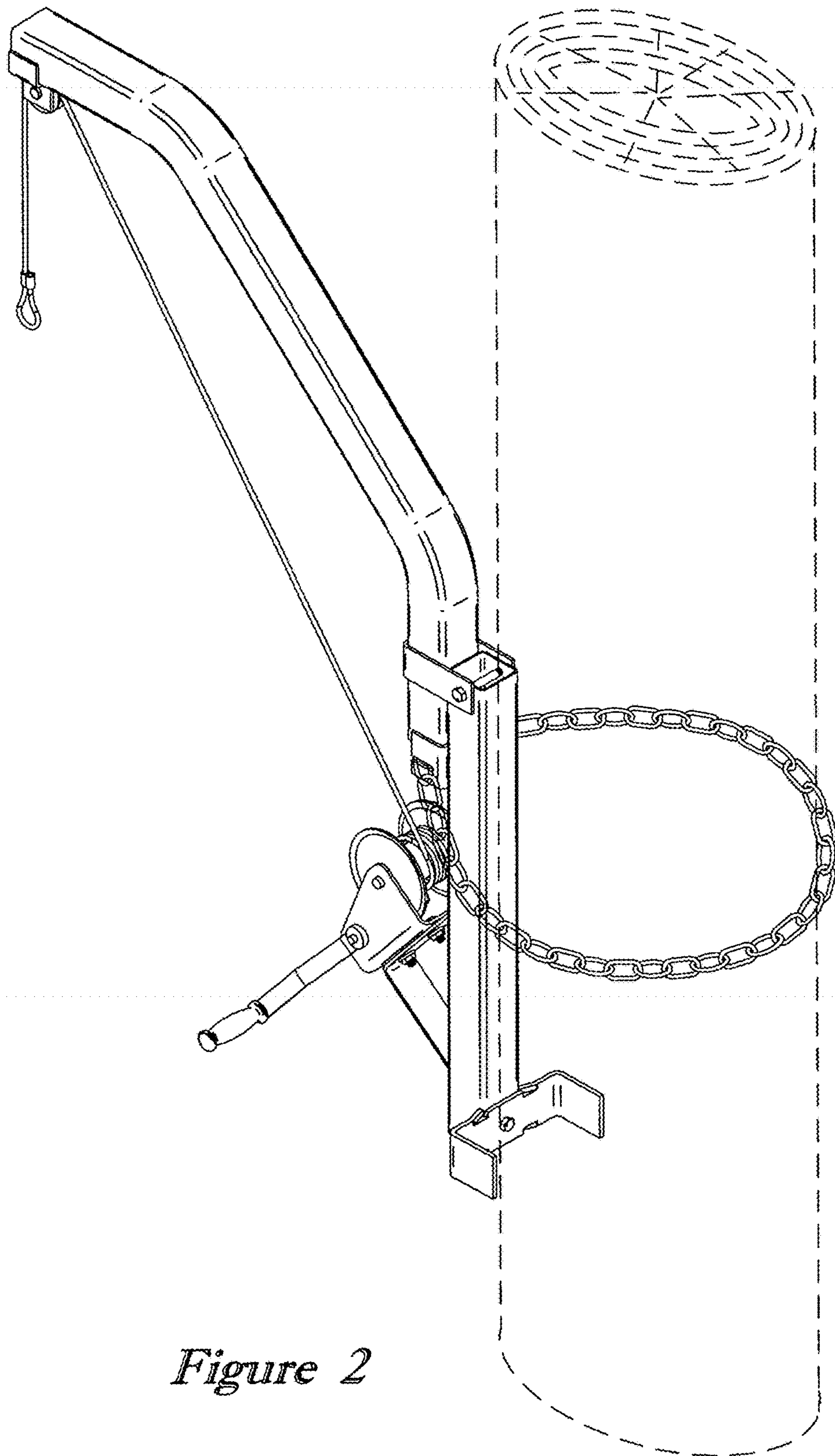


Figure 2

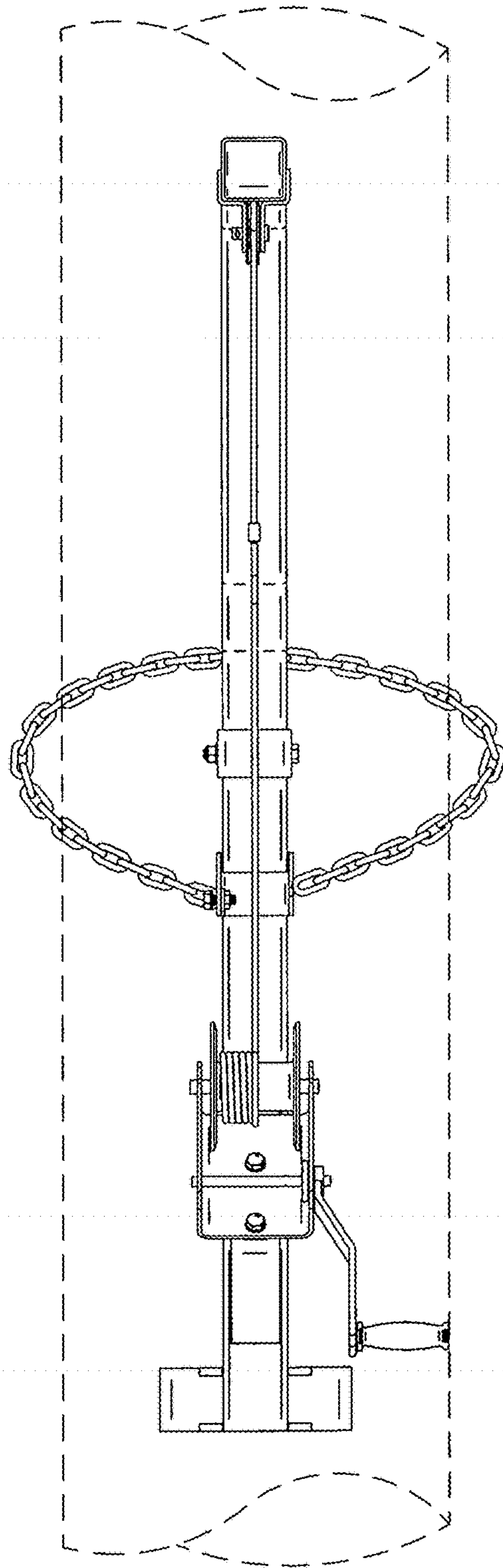


Figure 3

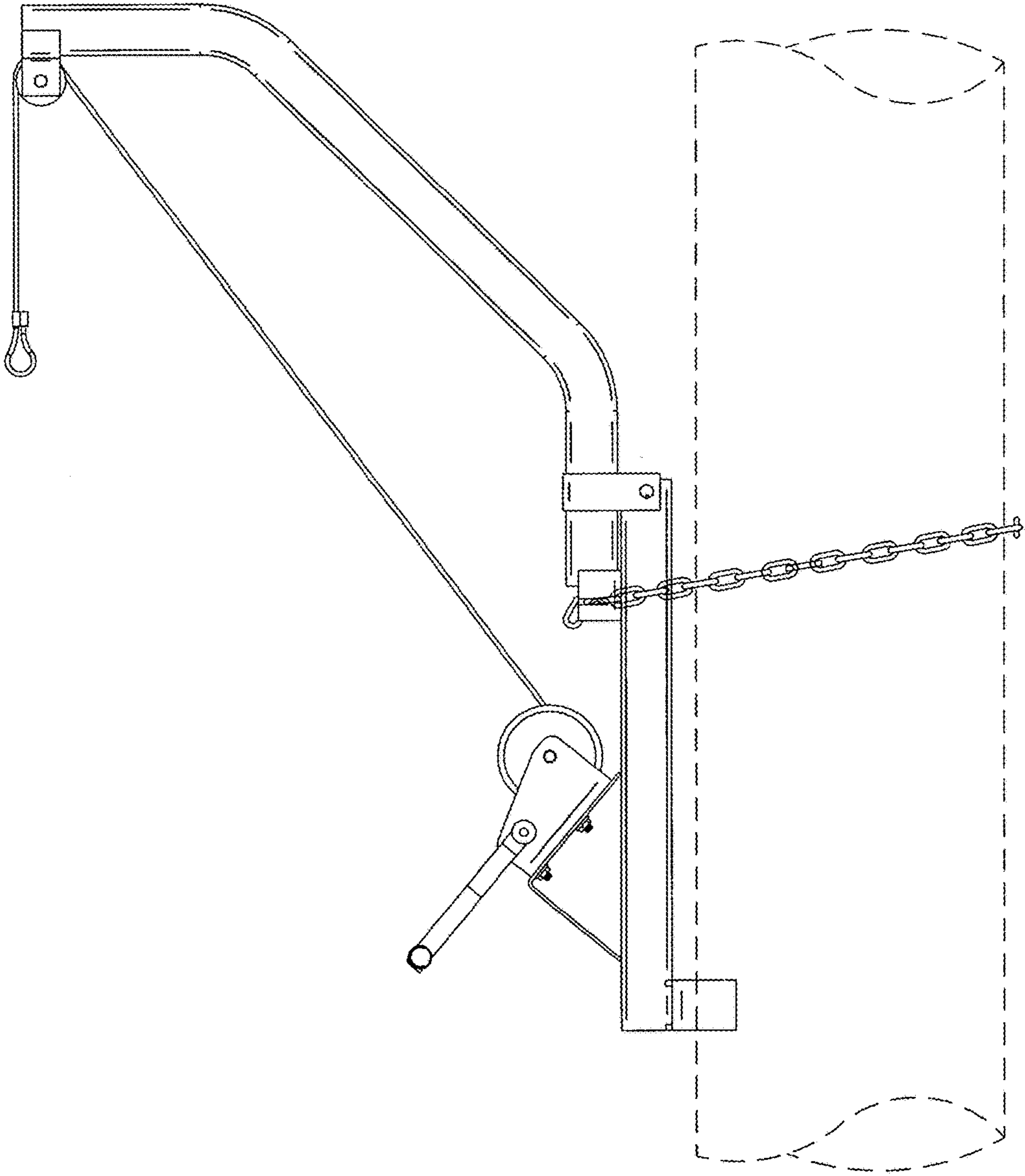


Figure 4

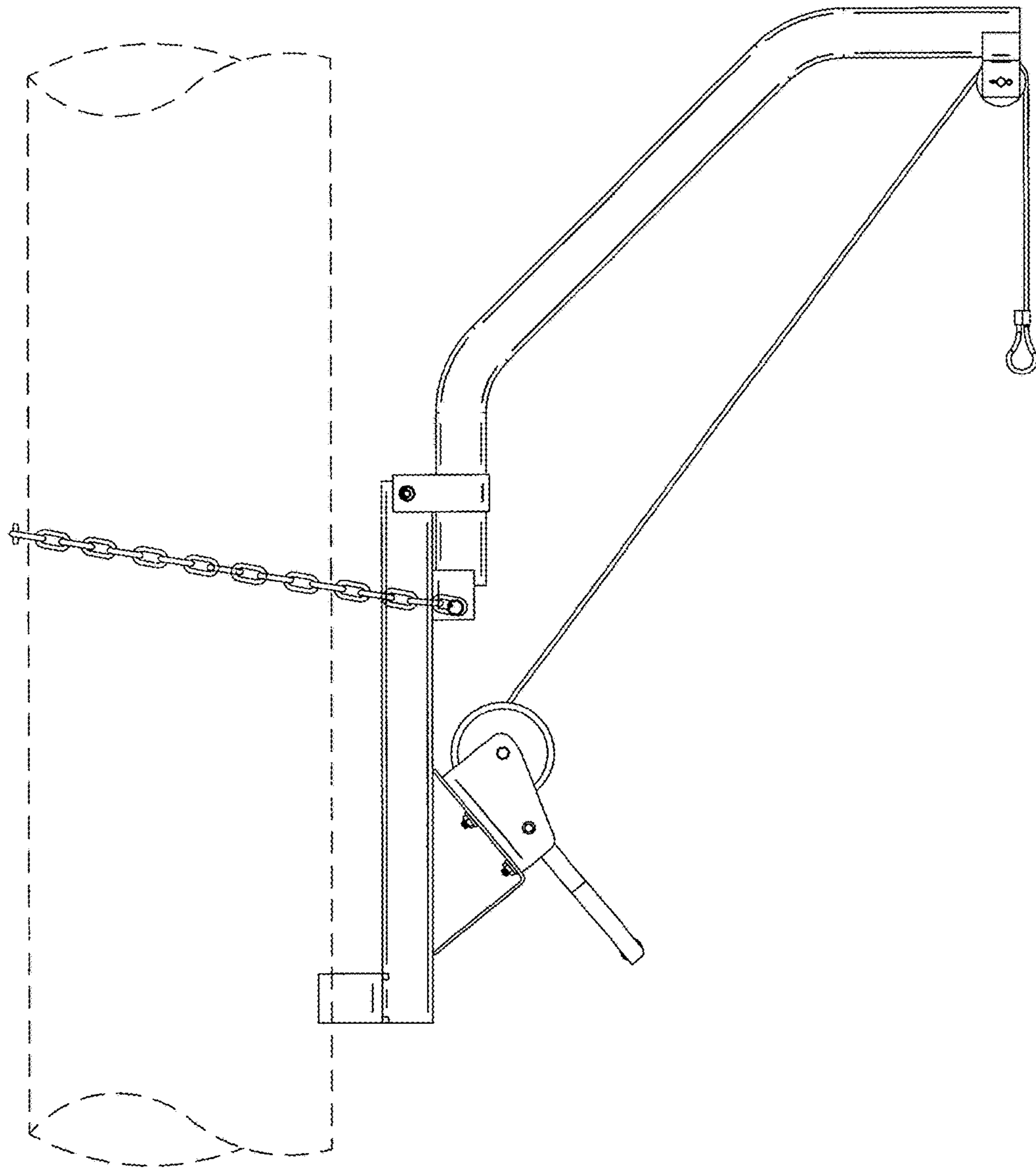


Figure 5

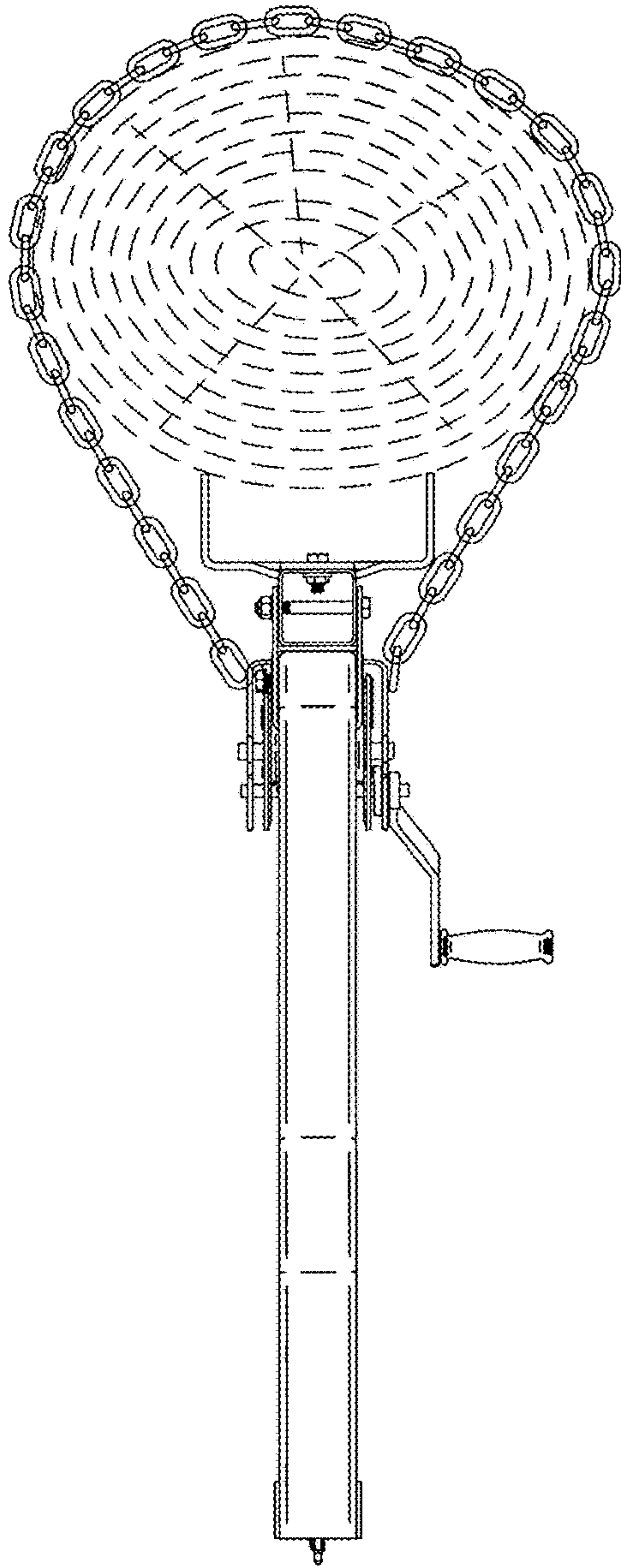


Figure 6

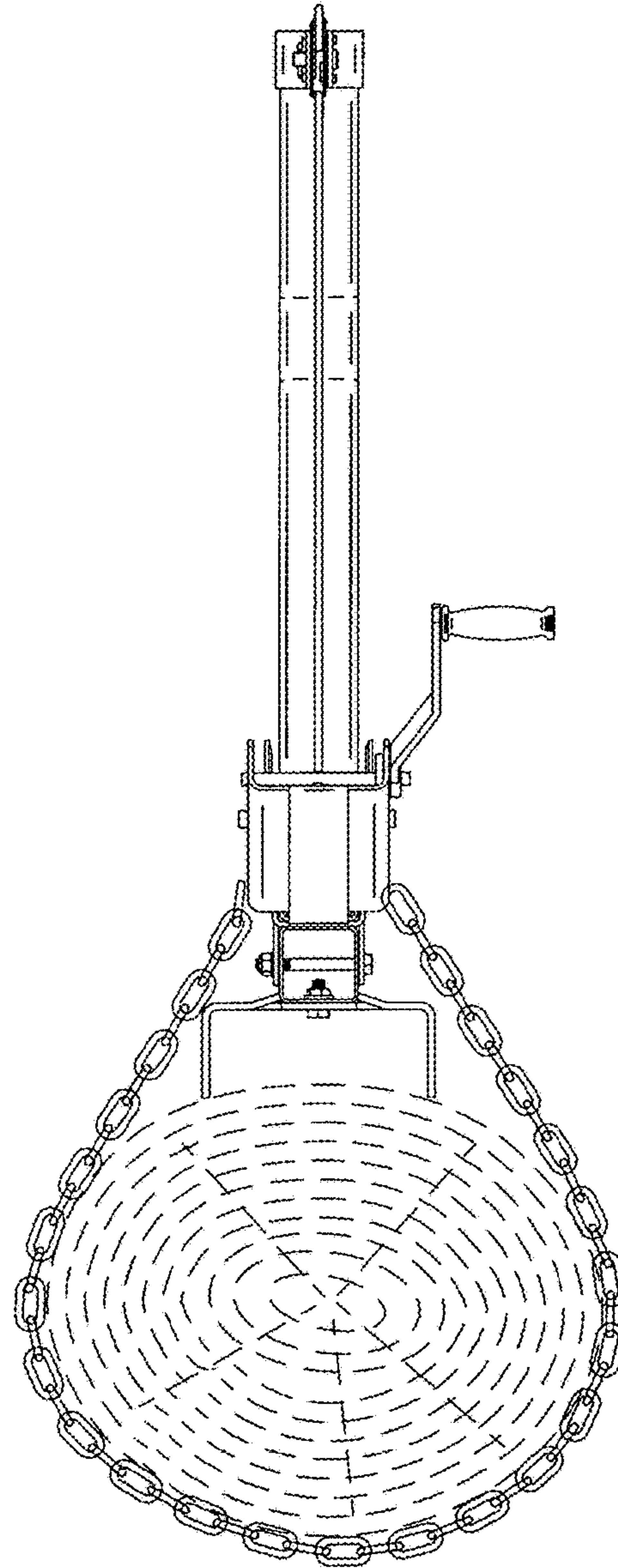


Figure 7