



US00D773602S

(12) **United States Design Patent**
Kim

(10) **Patent No.:** **US D773,602 S**

(45) **Date of Patent:** **** Dec. 6, 2016**

(54) **FISH HOOK**

(71) Applicant: **Il Han Kim**, Daegu (KR)

(72) Inventor: **Il Han Kim**, Daegu (KR)

(**) Term: **15 Years**

(21) Appl. No.: **29/527,509**

(22) Filed: **May 20, 2015**

(51) **LOC (10) Cl.** **22-05**

(52) **U.S. Cl.**
USPC **D22/144**

(58) **Field of Classification Search**
USPC D22/144; 43/43.16, 44.4, 44.81, 44.8,
43/42.31, 43.2, 42.53, 42.37, 42.39,
42.38, 43/44.89, 44.28
CPC A01K 83/00; A01K 83/06; A01K 91/04
See application file for complete search history.

(56) **References Cited**

U.S. PATENT DOCUMENTS

2,164,807	A *	7/1939	Evans	A01K 83/00 43/43.16
3,398,477	A *	8/1968	Paluzzi	A01K 83/06 43/44.4
D222,833	S *	1/1972	Fujii et al.	43/43.16
4,987,697	A *	1/1991	Klein	A01K 91/04 43/44.83
5,241,775	A *	9/1993	Matsumura	A01K 83/00 43/43.16

D370,520	S *	6/1996	Kahng	D22/144
D487,913	S *	3/2004	Asada	D22/144
D600,316	S *	9/2009	Lee	D22/144
D620,074	S *	7/2010	Muhlenbruck	D22/144

* cited by examiner

Primary Examiner — Catheri Oliver-Garcia
(74) *Attorney, Agent, or Firm* — Revolution IP, PLLC

(57) **CLAIM**

The ornamental design for a “fish hook,” as shown and described.

DESCRIPTION

FIG. 1 is a perspective view of a fish hook showing my new design;
FIG. 2 is a front elevational view thereof;
FIG. 3 is a rear elevational view thereof;
FIG. 4 is a left side elevational view thereof;
FIG. 5 is a right side elevational view thereof;
FIG. 6 is a top view thereof; and,
FIG. 7 is a bottom view thereof.
The dash-dot-dash lines represent a boundary line. The remaining broken lines depict environment and are for illustrative purposes only and form no part of the claimed design.

1 Claim, 6 Drawing Sheets

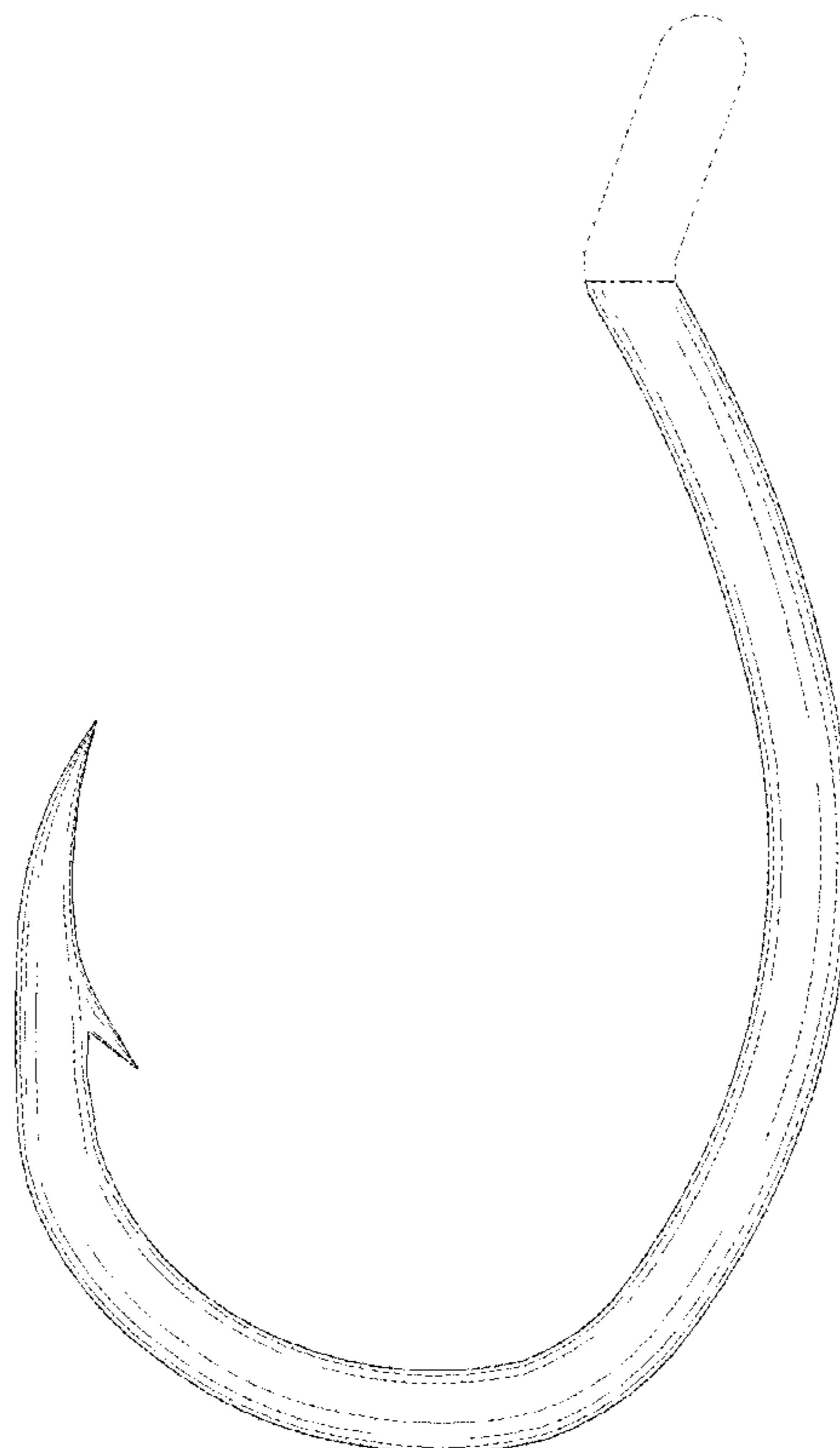


FIG. 1

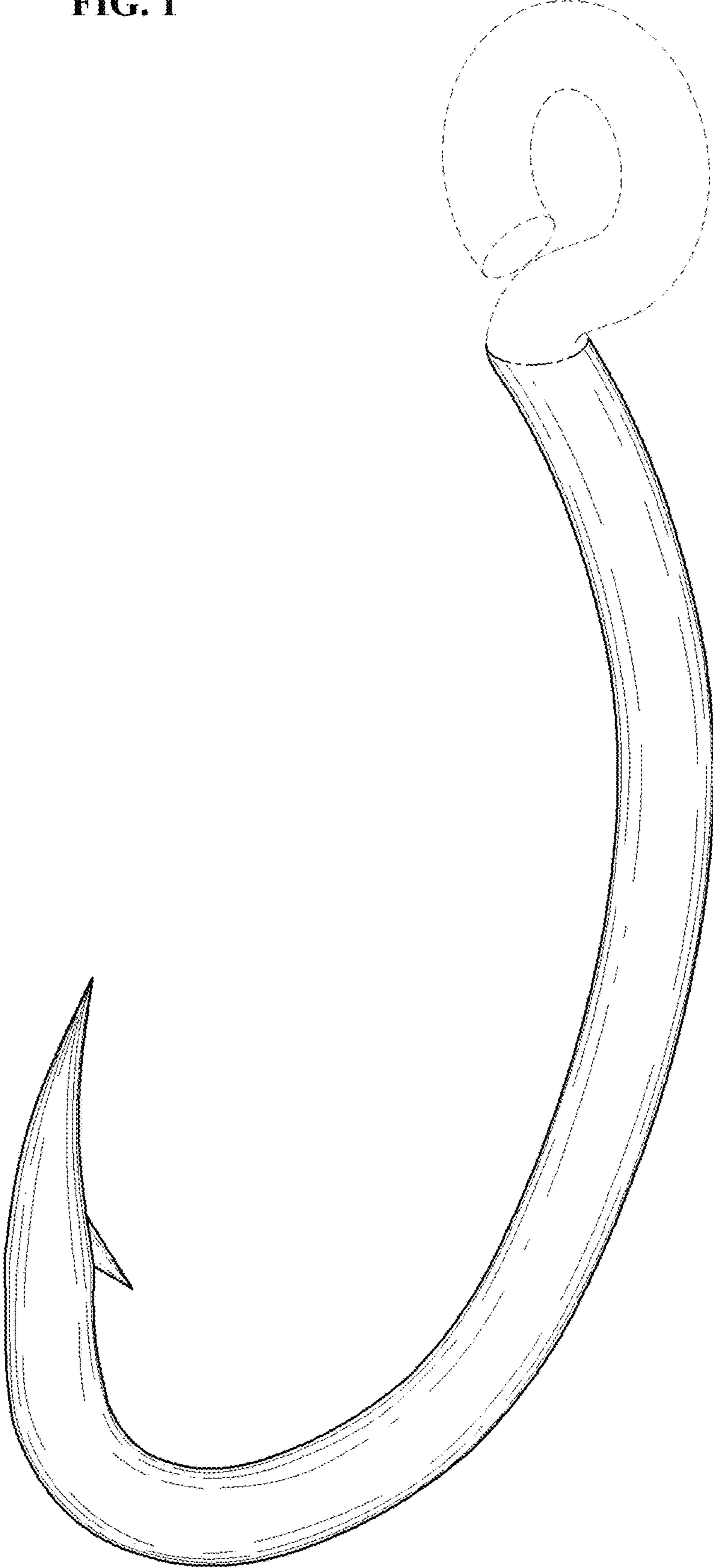


FIG. 2

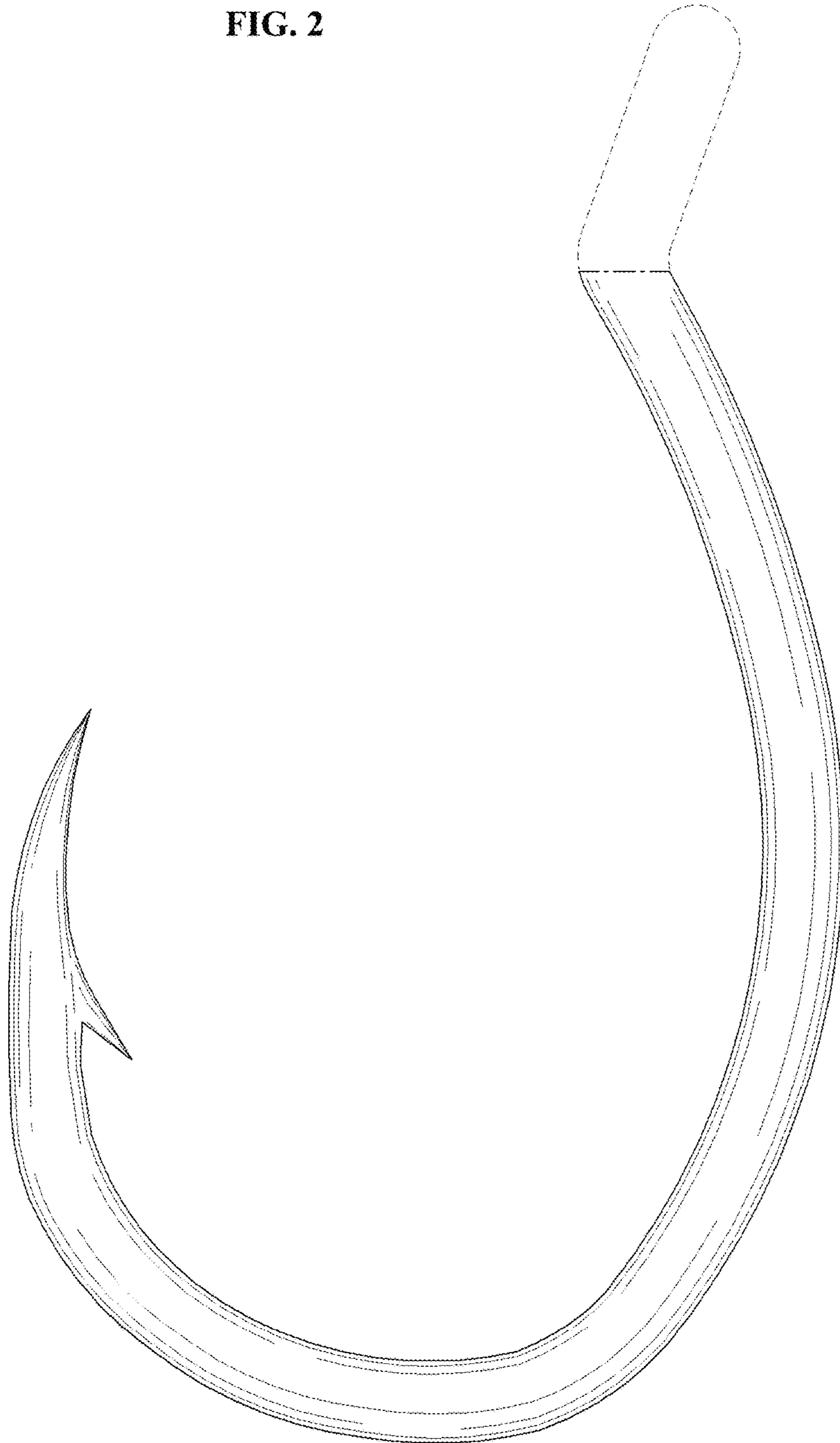


FIG. 3

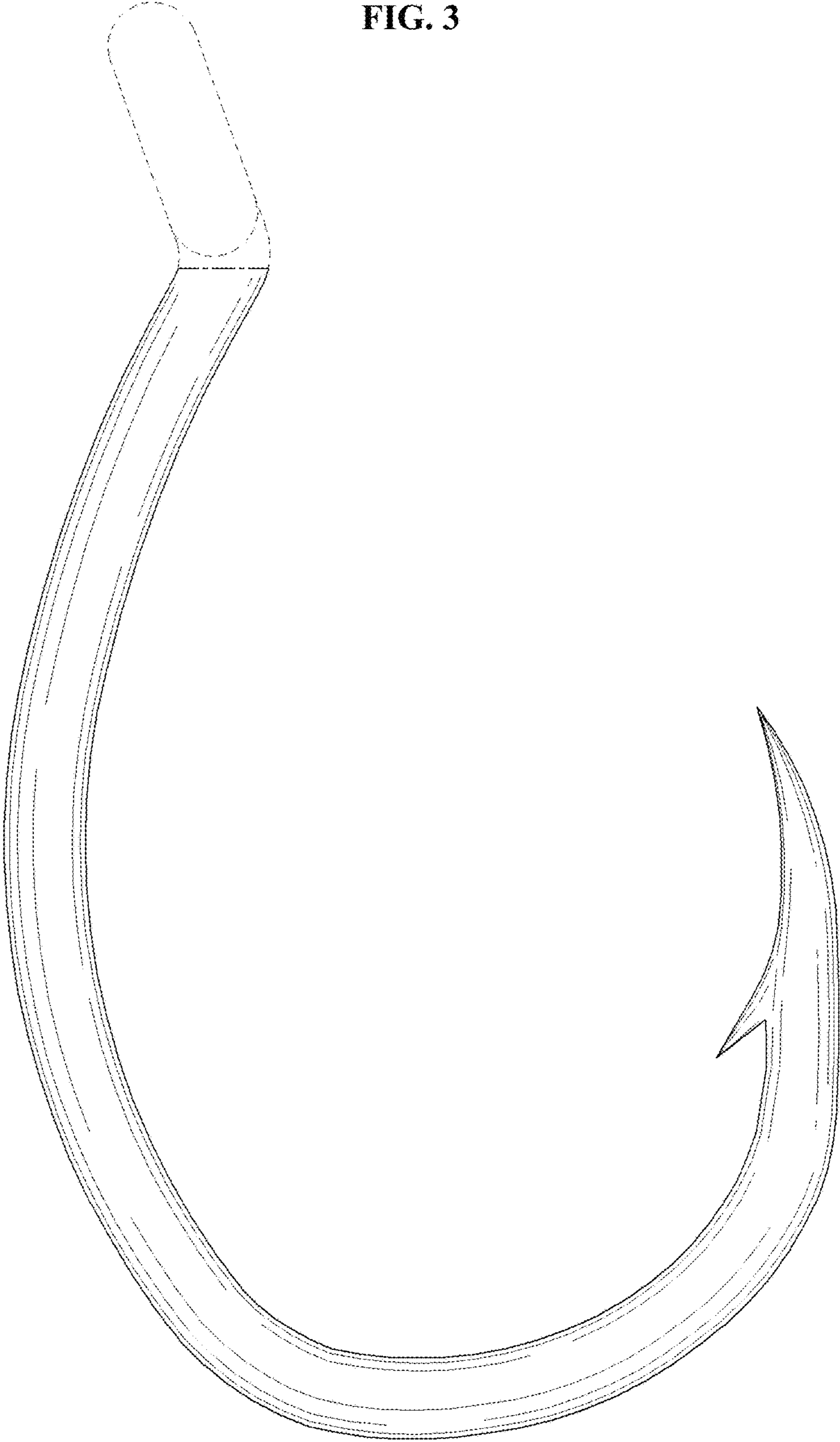


FIG. 4

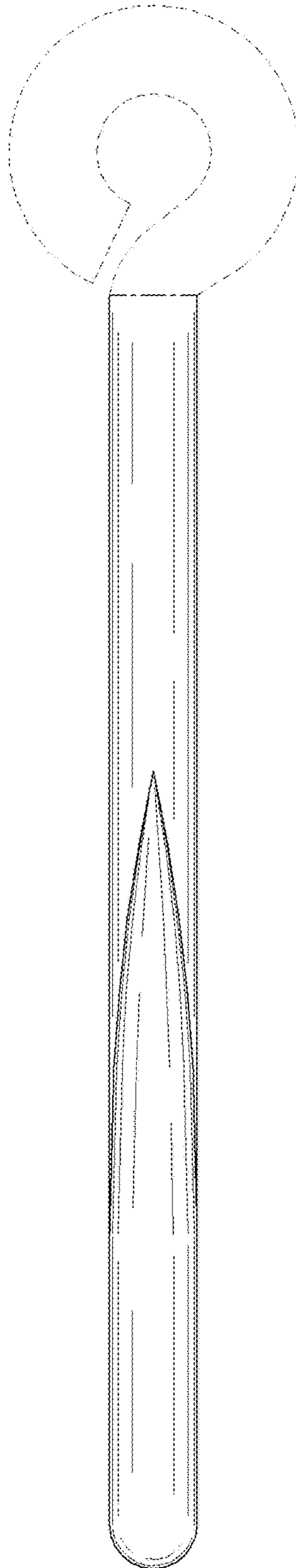


FIG. 5

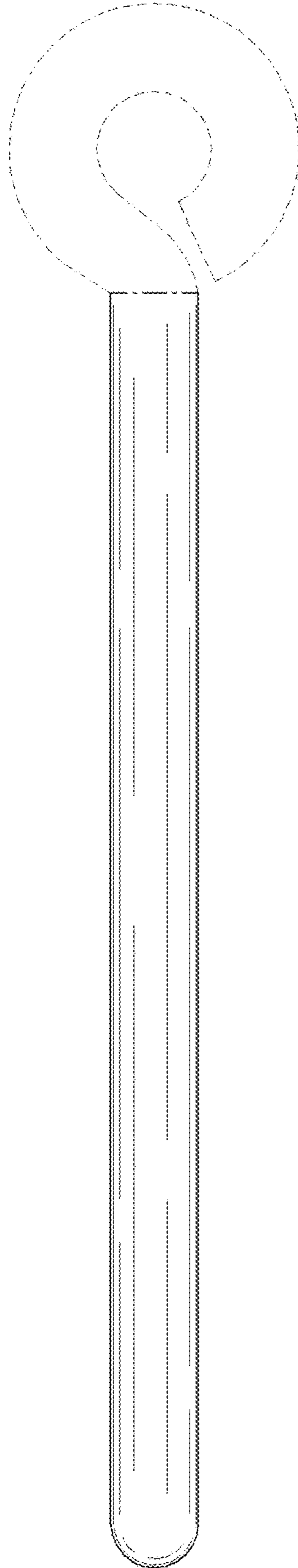


FIG. 6

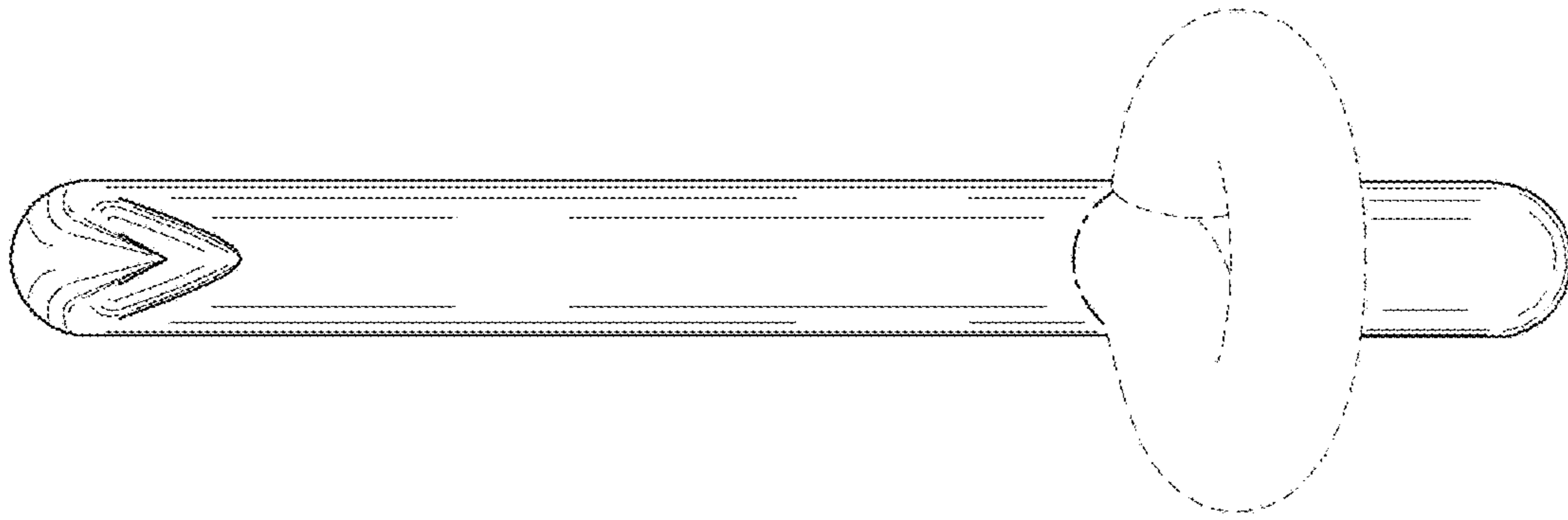


FIG. 7

