



US00D773600S

(12) **United States Design Patent** (10) **Patent No.:** **US D773,600 S**
Jasrotia (45) **Date of Patent:** **** Dec. 6, 2016**

(54) **MACHETE**
(71) Applicant: **Kuldeep Singh Jasrotia**, Wisconsin Rapids, WI (US)
(72) Inventor: **Kuldeep Singh Jasrotia**, Wisconsin Rapids, WI (US)
(**) Term: **15 Years**
(21) Appl. No.: **29/531,097**
(22) Filed: **Jun. 23, 2015**
(51) **LOC (10) Cl.** **22-02**
(52) **U.S. Cl.**
USPC **D22/118**
(58) **Field of Classification Search**
USPC ... D7/395, 401.2, 649, 650, 664; D8/5, 7, 9, D8/12, 17, 18, 19, 20, 40, 41, 80, 99, D8/107; D21/568; D22/117, 118
CPC B26B 1/04; B26B 5/00; B26B 3/00; B25G 3/02; B25G 1/10
See application file for complete search history.

(56) **References Cited**
U.S. PATENT DOCUMENTS
2,286,951 A 6/1942 Brown
2,335,497 A 11/1943 Ehrsam
3,187,354 A 6/1965 Frisbie
3,293,674 A 12/1966 Sapia
5,528,834 A * 6/1996 Seber B26B 3/06 30/340
5,765,648 A 6/1998 Sheehan et al.
D548,814 S * 8/2007 Fuller D22/118
D582,243 S * 12/2008 Freeman D8/107
D610,646 S * 2/2010 Harsey, Jr. D22/118
D636,051 S * 4/2011 Freeman D22/118
D638,904 S * 5/2011 Freeman D22/118
D660,676 S * 5/2012 Yang-Fu D8/99

D661,367 S * 6/2012 Seeds D22/118
D670,149 S * 11/2012 Yang-Fu D8/99
D672,842 S * 12/2012 Pelton D22/118
D679,975 S * 4/2013 Pelton D22/118
D698,406 S * 1/2014 Ameis D22/118
D699,315 S * 2/2014 Seeds D22/118
D700,675 S * 3/2014 Seeds D22/118
D709,982 S * 7/2014 Freeman D22/118
D711,693 S * 8/2014 Cheney D7/401.2
D730,117 S * 5/2015 Hiltenbrand D7/401.2
D745,106 S * 12/2015 Lu D22/118
D746,407 S * 12/2015 Lu D22/118
D749,187 S * 2/2016 Pirrone D22/118
D749,915 S * 2/2016 Haas D7/649
D752,704 S * 3/2016 Ma D22/118
D752,919 S * 4/2016 Chen D7/401.2
D755,343 S * 5/2016 Freeman D22/118
D761,923 S * 7/2016 Ueda D21/402

(Continued)

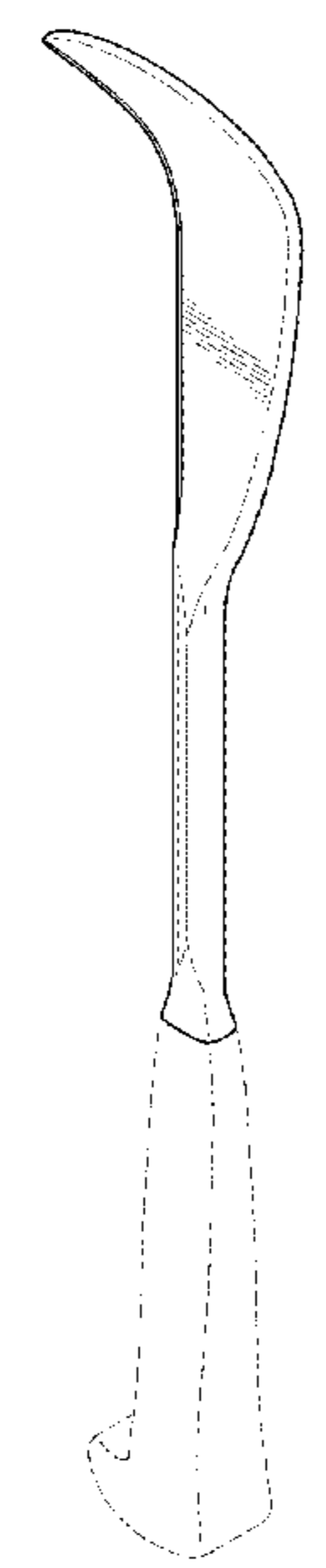
Primary Examiner — Manpreet Matharu
Assistant Examiner — Suzanne Tisdell
(74) *Attorney, Agent, or Firm* — Sturm & Fix LLP

(57) **CLAIM**
The ornamental design for a machete, as shown and described.

DESCRIPTION

FIG. 1 is a perspective view of the machete showing my new design, wherein the dashed line of the handle does not form a part of the invention;
FIG. 2 is a left side elevational view of the machete;
FIG. 3 is a right side elevational view of the machete;
FIG. 4 is a top plan view of the machete;
FIG. 5 is a bottom view of the machete;
FIG. 6 is a front elevational view of the machete; and,
FIG. 7 is a rear elevational view of the machete.

1 Claim, 4 Drawing Sheets



(56)

References Cited

U.S. PATENT DOCUMENTS

2012/0304470 A1* 12/2012 Freeman B26B 1/046
30/159
2015/0239136 A1* 8/2015 Taylor B25G 1/102
30/165
2015/0328761 A1* 11/2015 Busch A01B 1/022
7/116
2016/0052151 A1* 2/2016 Chu B26B 1/04
30/161

* cited by examiner

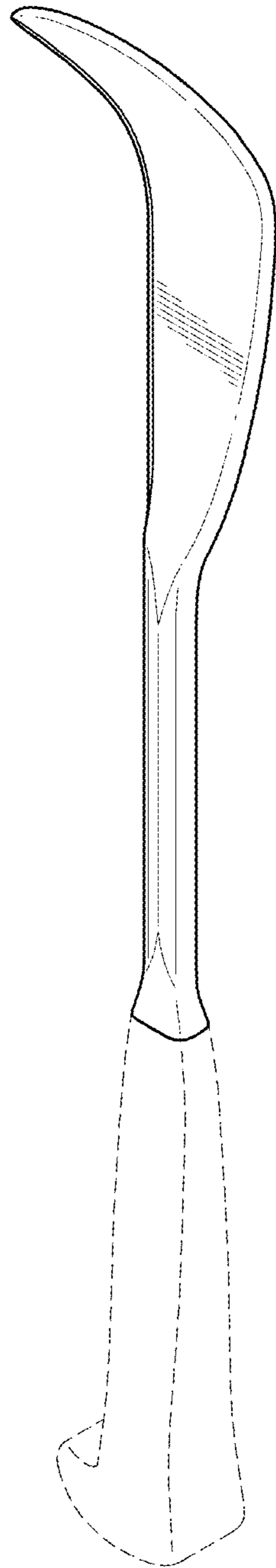


FIG. 1

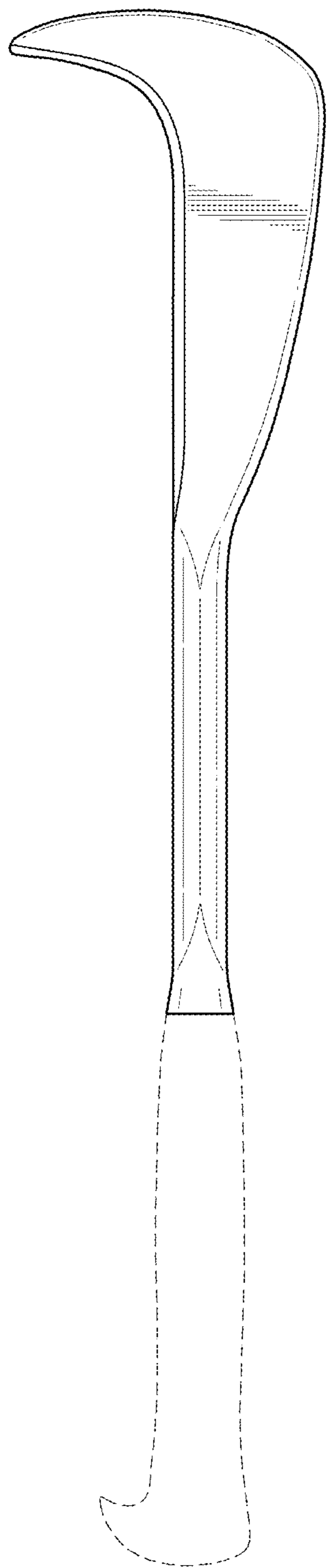


FIG. 2

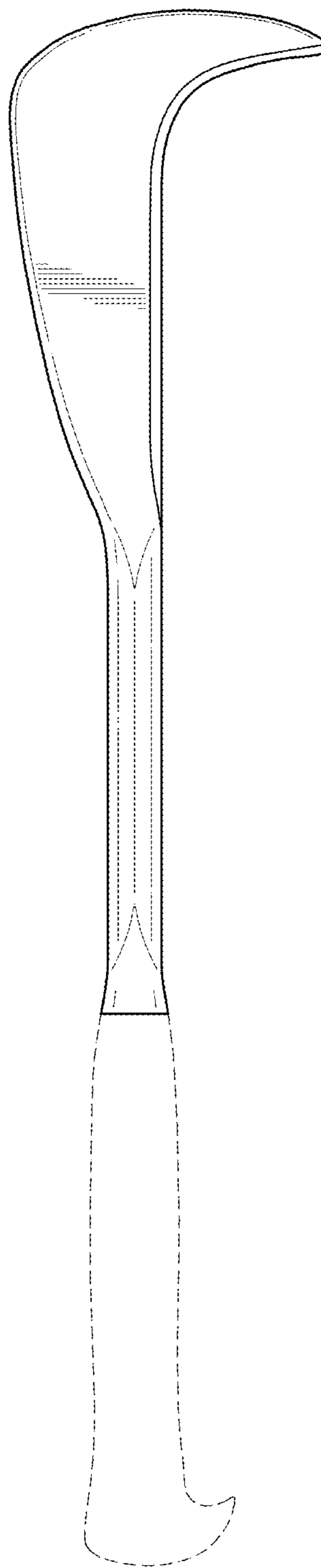


FIG. 3

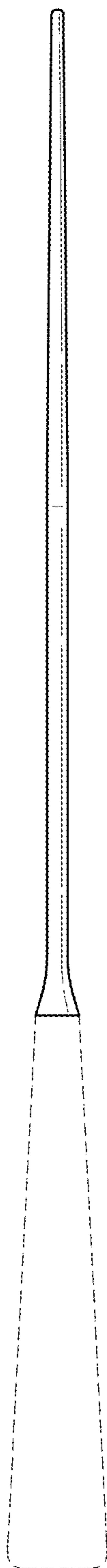


FIG. 4

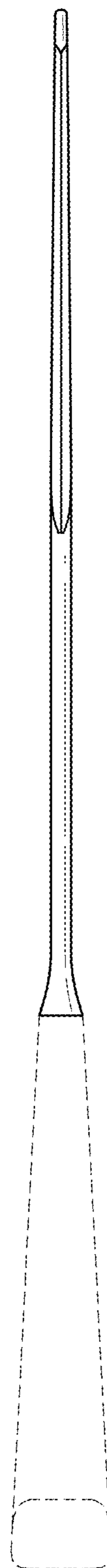


FIG. 5

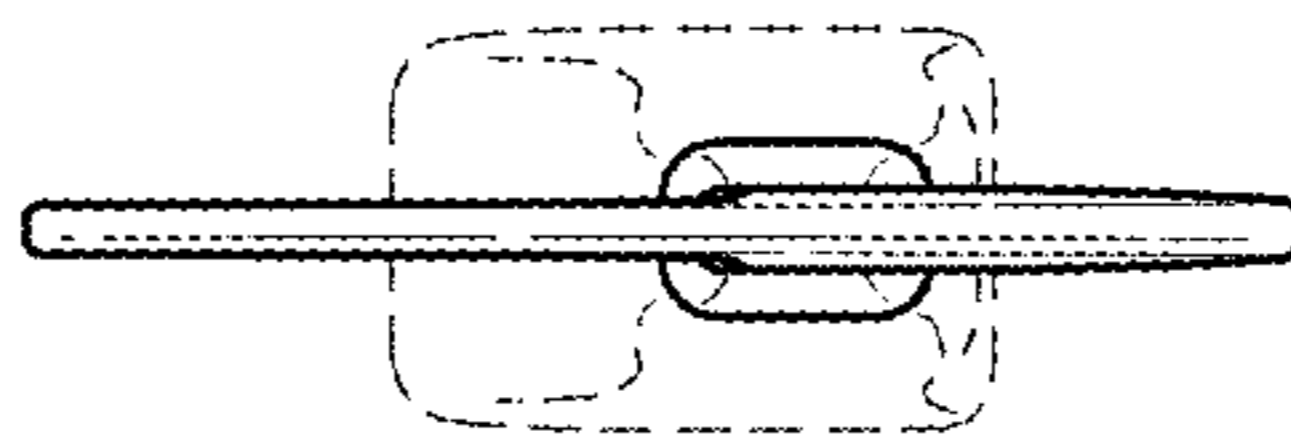


FIG. 6

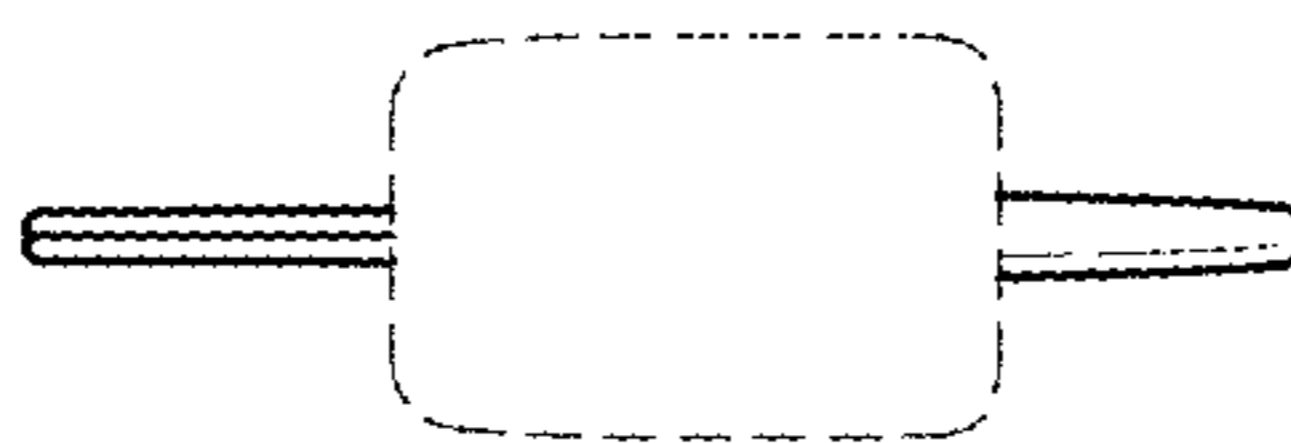


FIG. 7