



US00D773599S

(12) **United States Design Patent** (10) **Patent No.:** **US D773,599 S**
West et al. (45) **Date of Patent:** **** Dec. 6, 2016**

- (54) **MACHETE**
- (71) Applicant: **Estwing Manufacturing Company, Inc.**, Rockford, IL (US)
- (72) Inventors: **Joshua D. West**, Rockford, IL (US); **Robert H. Youngren**, Stillman Valley, IL (US); **John W. Ryan, Jr.**, Belvidere, IL (US); **Mark Youngren**, Oregon, IL (US)
- (73) Assignee: **Estwing Manufacturing Company, Inc.**, Rockford, IL (US)
- (**) Term: **14 Years**
- (21) Appl. No.: **29/517,454**
- (22) Filed: **Feb. 12, 2015**
- (51) **LOC (10) Cl.** **22-02**
- (52) **U.S. Cl.**
USPC **D22/118**
- (58) **Field of Classification Search**
USPC D22/118; D8/93-99, 105, 107;
D7/649-651, 401.2; 30/131, 151, 314,
340
CPC B23D 49/12; B25B 1/22; B26B 9/00;
B26B 3/06; B26B 1/00; B26B 1/04; B26B
1/10; B26B 1/048; F41C 27/18
See application file for complete search history.

2,305,476 A *	12/1942	Johnson	B26B 9/00
				30/144
D140,397 S *	2/1945	Waterman	30/144
D152,727 S *	2/1949	Peterson	30/279.2
D154,482 S *	7/1949	Hill	30/144
3,488,844 A *	1/1970	Lesh	B23D 49/12
				30/144
3,521,353 A	7/1970	Fabyan		
D229,662 S *	12/1973	Friedman	30/144
5,594,967 A *	1/1997	Morton	B26B 3/06
				30/138
D383,519 S *	9/1997	Lainhart	D22/118
D615,608 S *	5/2010	Moore	D22/118
D749,187 S *	2/2016	Pirrone	D22/118

* cited by examiner

Primary Examiner — Catheri Oliver-Garcia
(74) *Attorney, Agent, or Firm* — Quarles & Brady LLP

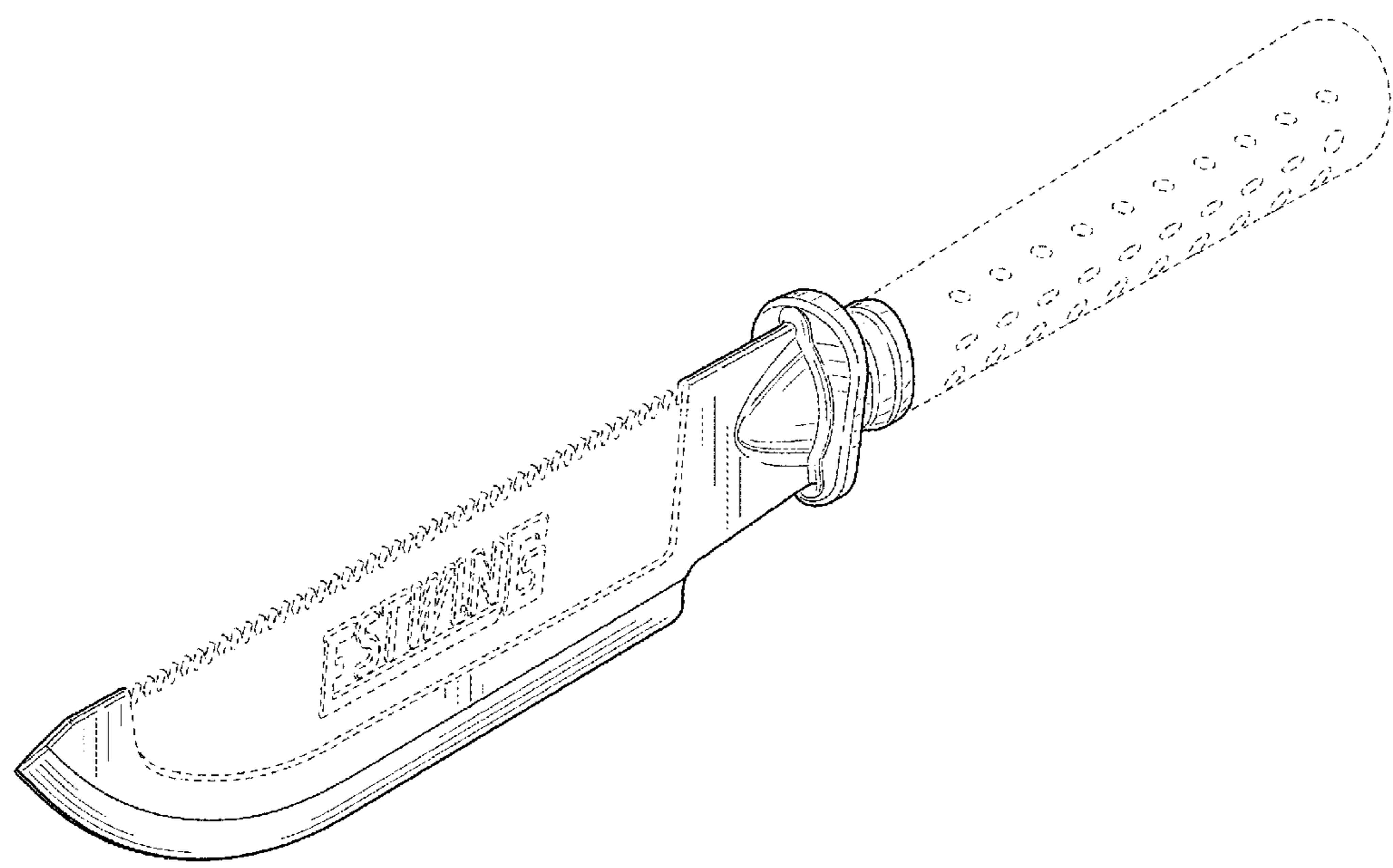
(57) **CLAIM**
The ornamental design for a machete, as shown and described.

DESCRIPTION

FIG. 1 is an isometric view of a front, top, and left side of an ornamental design for a machete;
FIG. 2 is a left side elevational view of the machete of FIG. 1;
FIG. 3 is a right side elevational view of the machete of FIG. 1;
FIG. 4 is a rear elevational view of the machete of FIG. 1;
FIG. 5 is a front elevational view of the machete of FIG. 1;
FIG. 6 is a top plan view of the machete of FIG. 1; and,
FIG. 7 is a bottom plan view of the machete of FIG. 1.
The dash-dash-dash-dash lines are for the purpose of illustrating environmental structure and form no part of the claimed design.

1 Claim, 4 Drawing Sheets

- (56) **References Cited**
U.S. PATENT DOCUMENTS
417,539 A 12/1889 Bush
1,388,014 A 8/1921 Aiguier
1,763,452 A 6/1930 Williamson



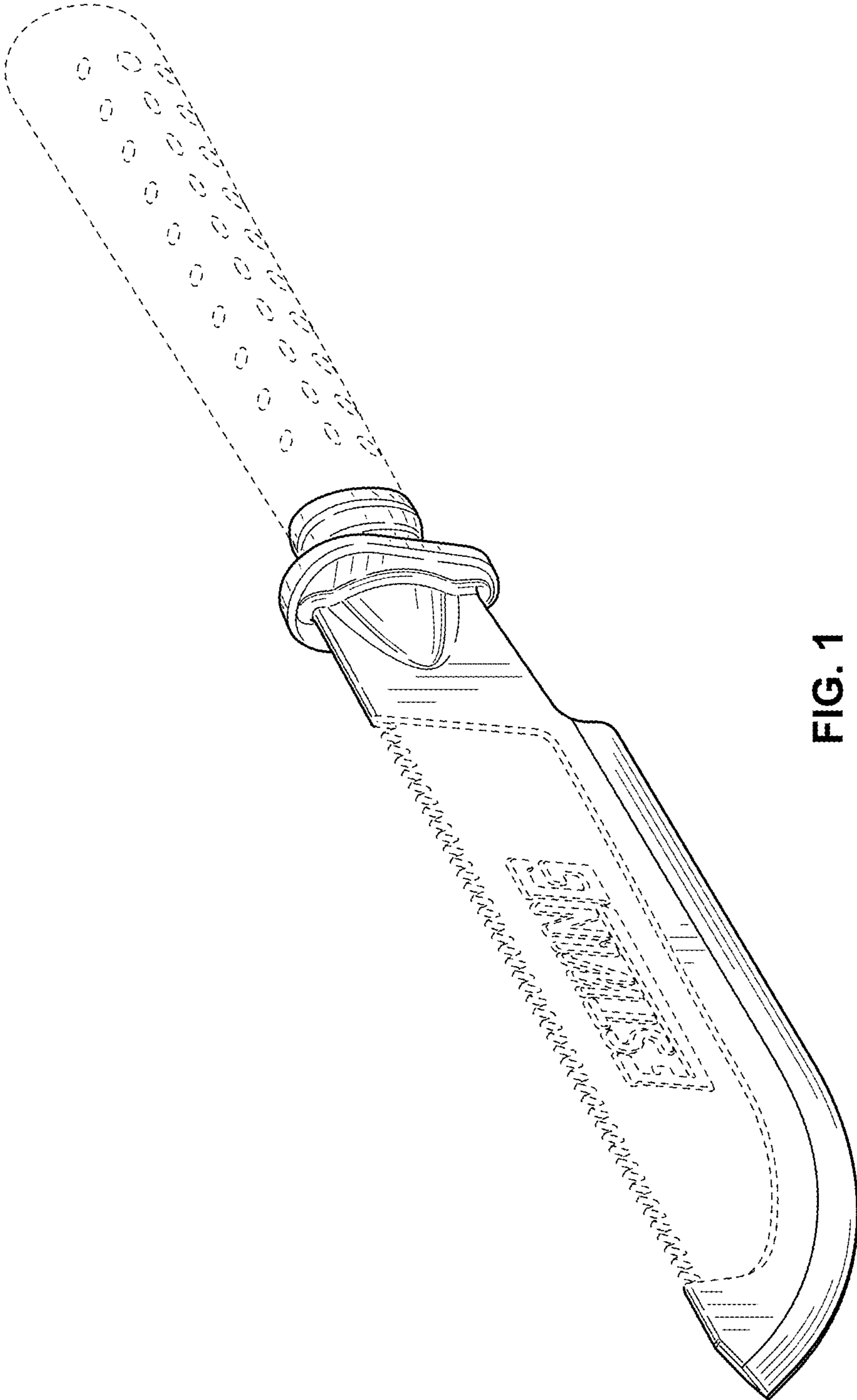


FIG. 1

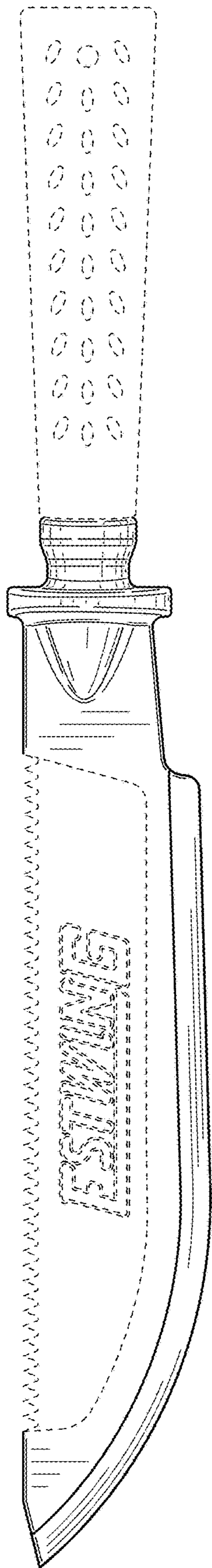


FIG. 2

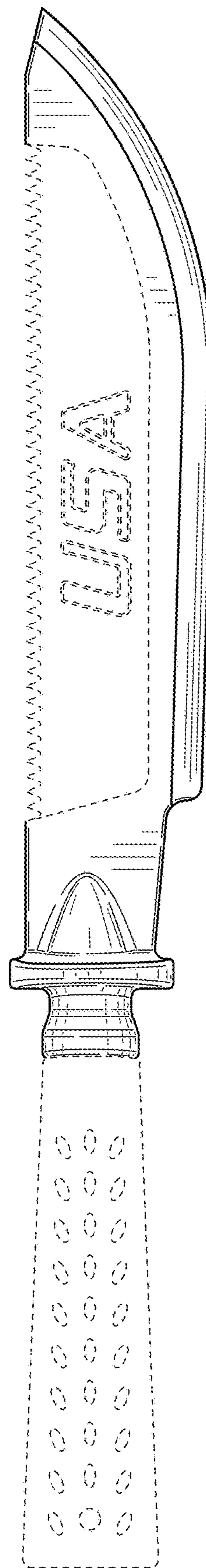


FIG. 3

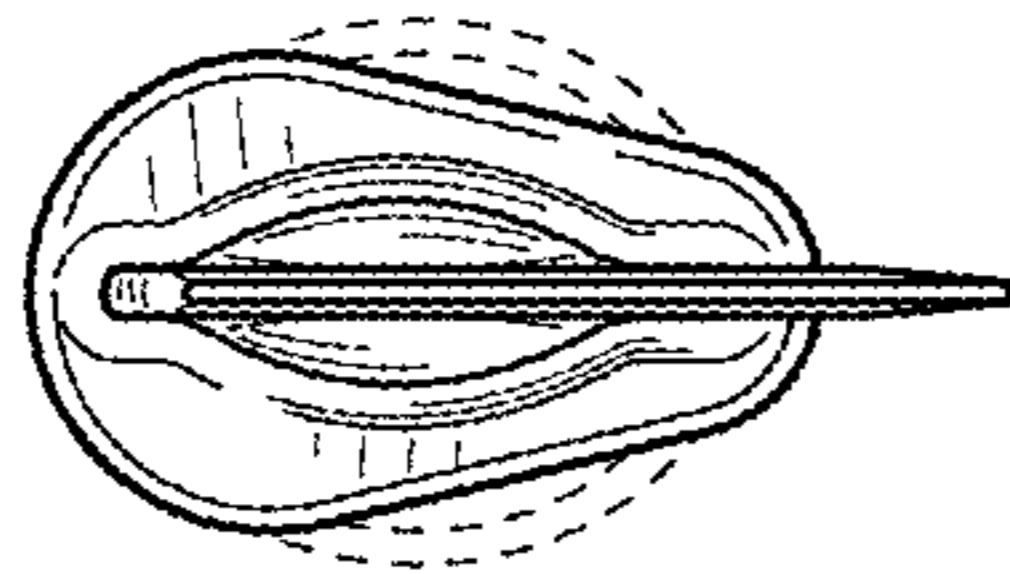


FIG. 5

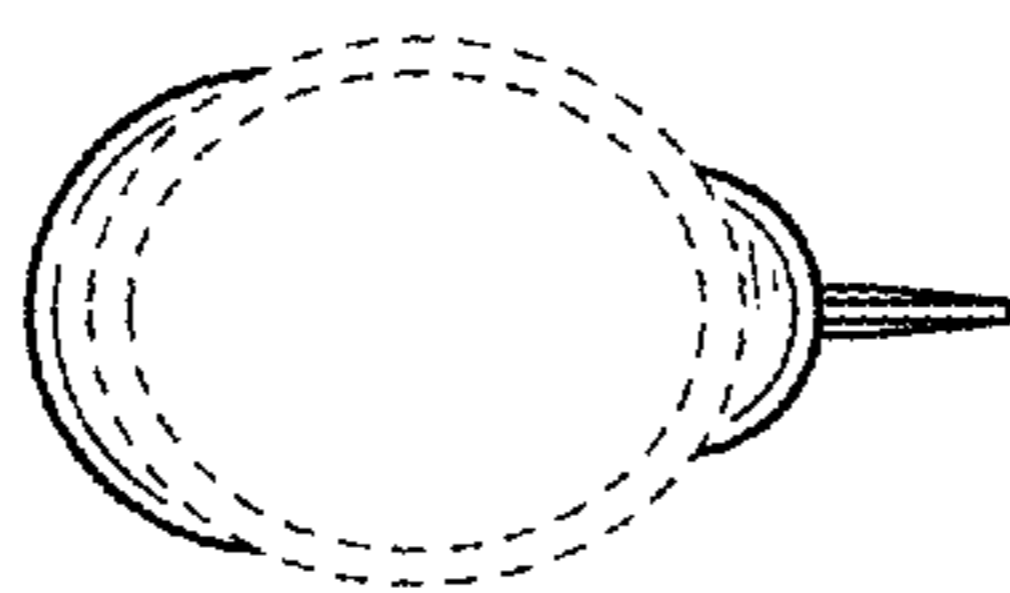


FIG. 4

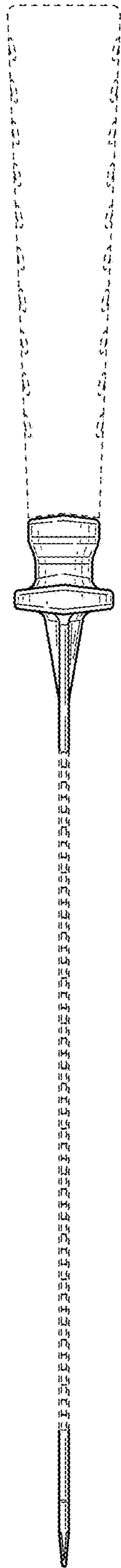


FIG. 6

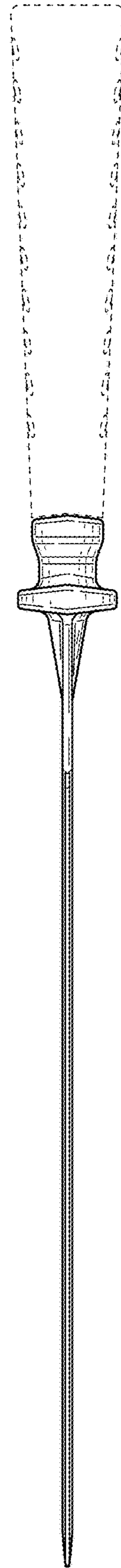


FIG. 7