



US00D773598S

(12) **United States Design Patent**  
**Quinnan**

(10) **Patent No.:** **US D773,598 S**

(45) **Date of Patent:** **\*\* Dec. 6, 2016**

(54) **TARGET ROD HOLDER**  
(71) Applicant: **Timothy Quinnan**, Broomfield, CO (US)  
(72) Inventor: **Timothy Quinnan**, Broomfield, CO (US)  
(73) Assignee: **The Allen Company, Inc.**, Broomfield, CO (US)  
(\*\*) Term: **14 Years**

4,186,825 A \* 2/1980 Milliken ..... F16D 65/543  
188/196 R  
5,244,016 A \* 9/1993 Kuroda ..... F16L 11/087  
138/103  
5,437,872 A \* 8/1995 Lee ..... A61J 7/0092  
424/435  
6,073,581 A \* 6/2000 Wang ..... A01K 15/025  
119/51.01  
8,205,578 B2 \* 6/2012 Curry ..... A01K 15/025  
119/707  
8,985,060 B2 \* 3/2015 Angle ..... A01K 15/026  
119/707  
9,305,123 B2 \* 4/2016 Leotta ..... A61F 2/95  
2016/0023136 A1 \* 1/2016 Raab ..... B01D 37/02  
210/454

(21) Appl. No.: **29/520,425**  
(22) Filed: **Mar. 13, 2015**  
(51) **LOC (10) Cl.** ..... **22-04**  
(52) **U.S. Cl.**  
USPC ..... **D22/113**  
(58) **Field of Classification Search**  
USPC ..... D22/108, 113, 199; D21/386;  
D11/10-11, 26-28, 40-43, 75, 89-93;  
D28/8.1; D1/100, 127-130, 199;  
D24/100-101  
CPC ..... F41J 1/10; F41J 5/14; F41J 1/00;  
F41J 3/0004; F16F 9/34; F16F 9/464;  
F16F 1/185; F16F 1/26; F16F 1/3863;  
F16F 2228/08; F16F 9/185; F16F 9/465;  
F16F 2230/18; F16F 9/062; F16F 9/182;  
F16F 9/187; F16F 9/3235; F16F 9/325;  
F16F 9/3405; F16F 9/342; F16F 9/348;  
F16F 9/46; F16F 9/466  
See application file for complete search history.

\* cited by examiner

*Primary Examiner* — Michael A Pratt

(74) *Attorney, Agent, or Firm* — Boyd D. Cox

(56) **References Cited**

**U.S. PATENT DOCUMENTS**

4,185,125 A \* 1/1980 Sakakibara ..... A23L 1/1613  
426/439

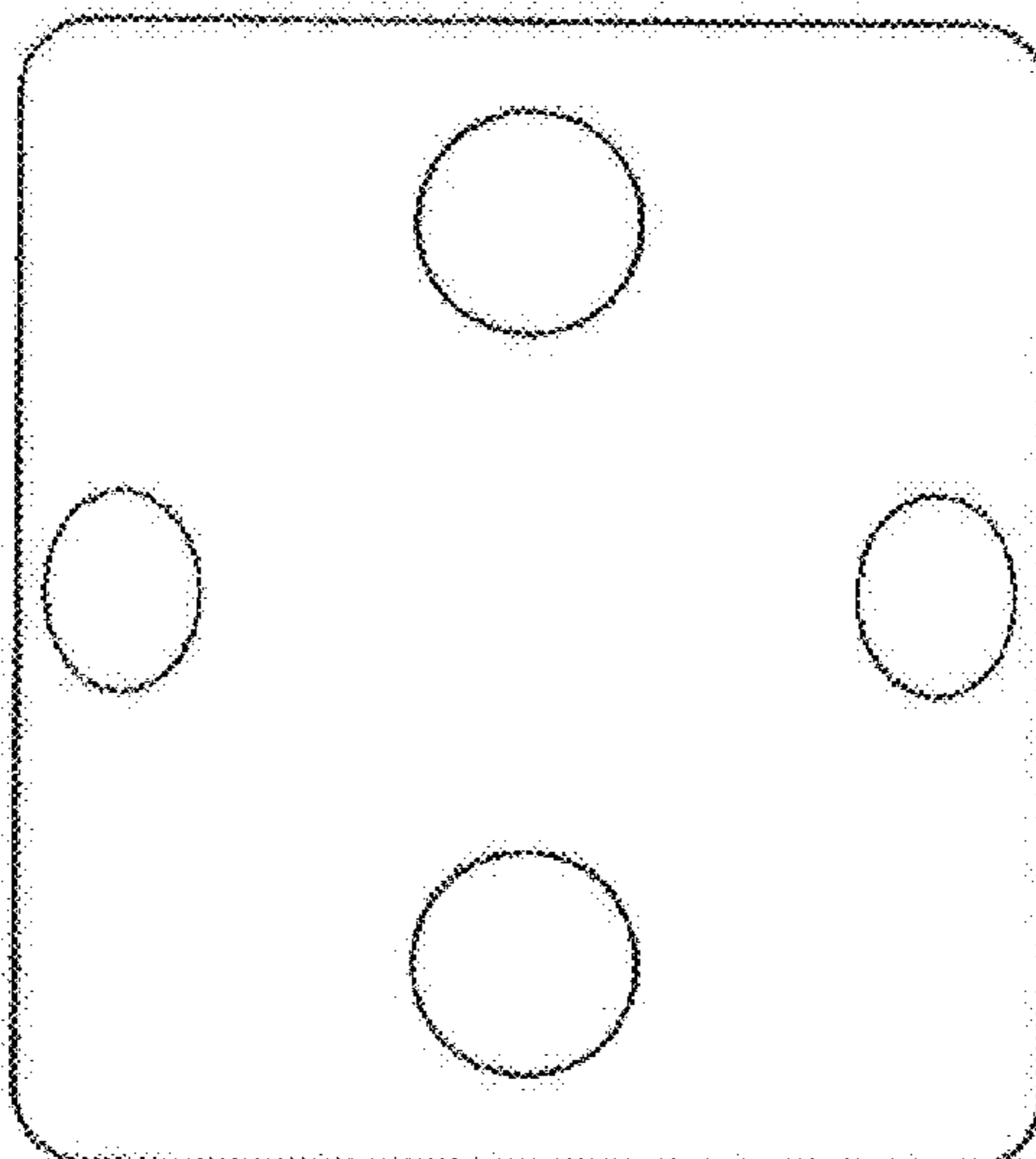
(57) **CLAIM**

The ornamental design for a target rod holder, as shown.

**DESCRIPTION**

FIG. 1 is a front elevation of the target rod holder of the present invention, the rear side elevation being the mirror image of the front elevation;  
FIG. 2 is a right side elevation of the target rod holder of FIG. 1, the left side elevation being the mirror image of the right side elevation; and,  
FIG. 3 is a top plan view of the target rod holder of FIG. 1; the bottom plan view being the mirror image of the top plan view.

**1 Claim, 3 Drawing Sheets**



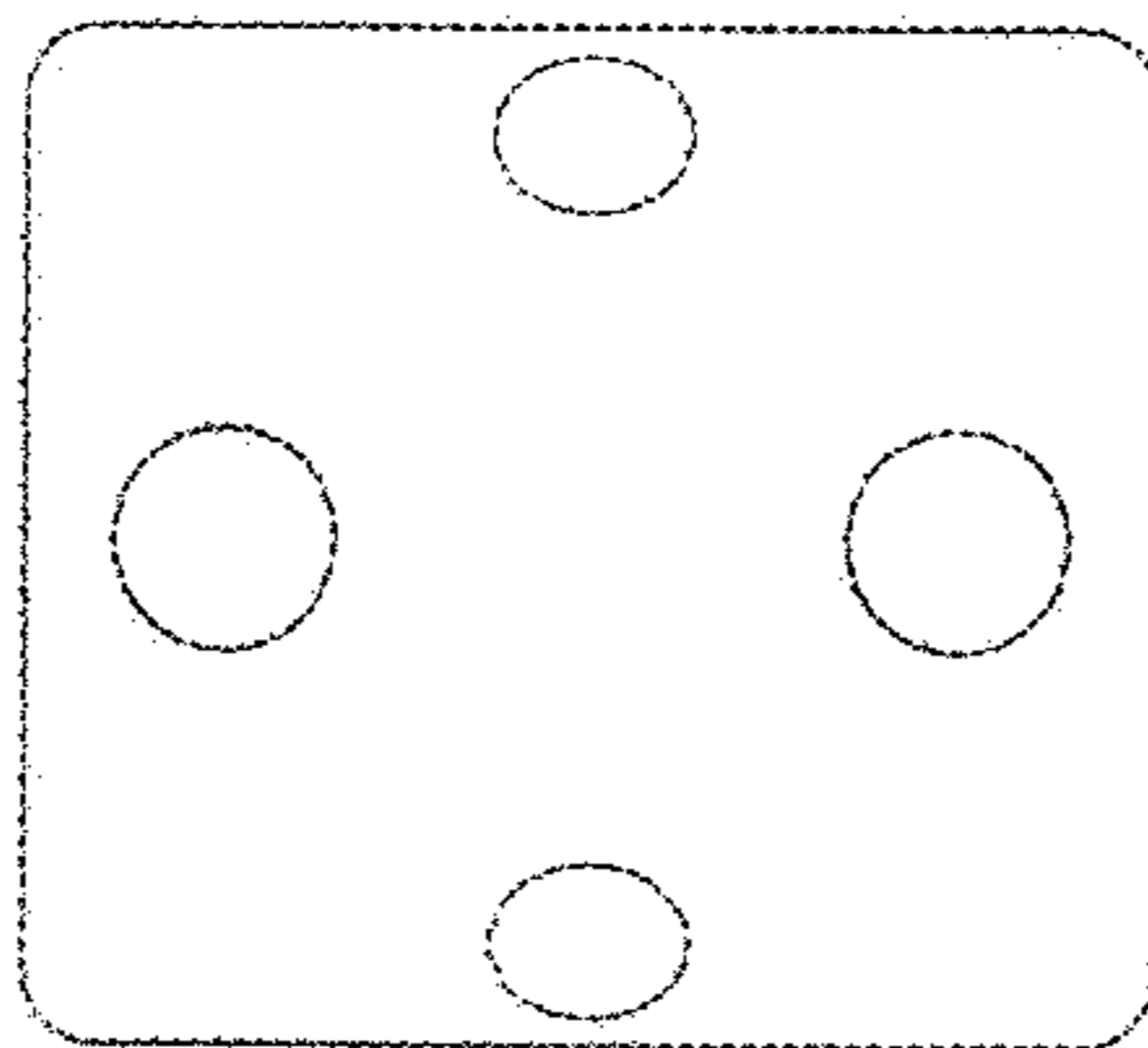


FIGURE 1

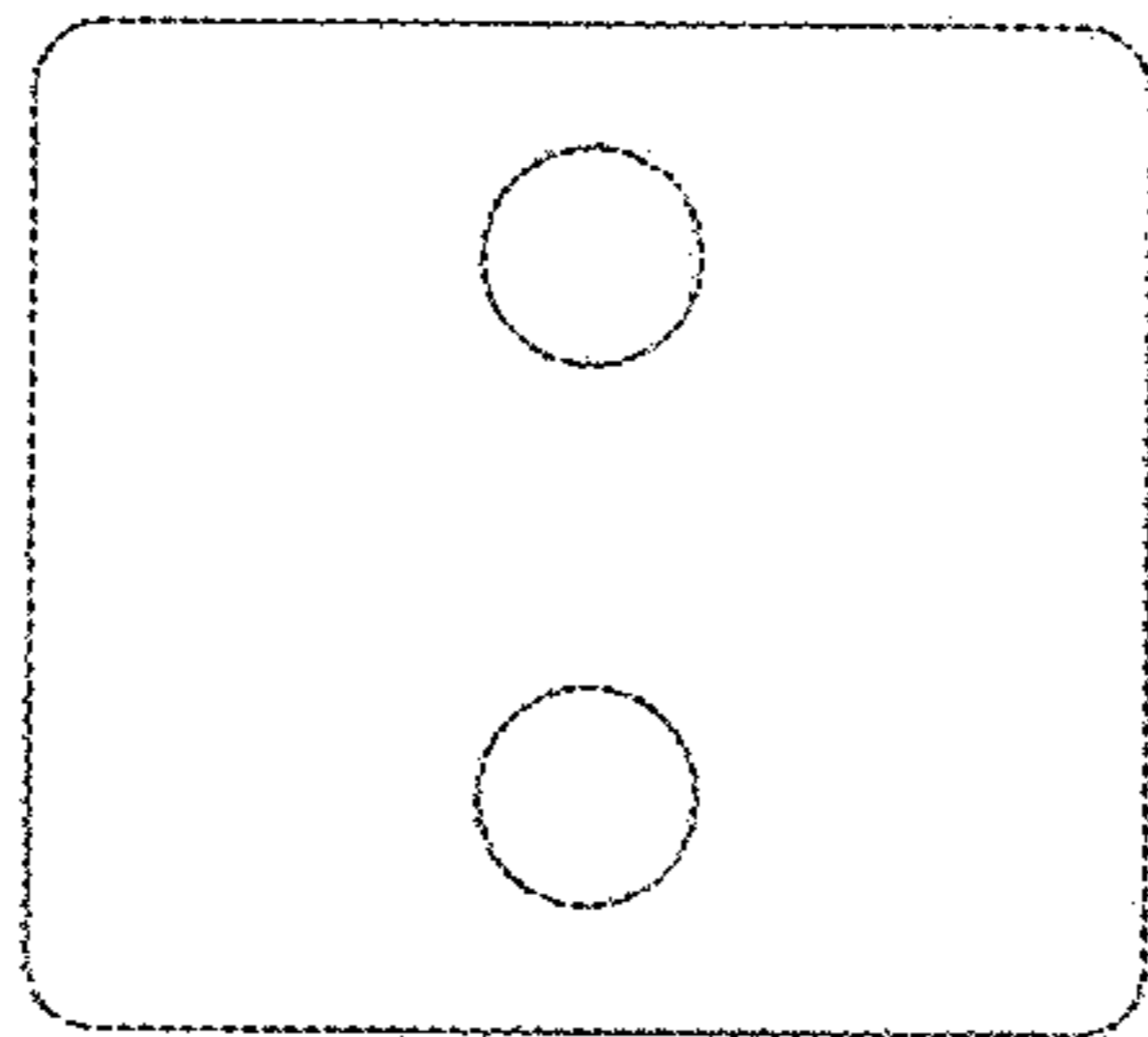


FIGURE 2

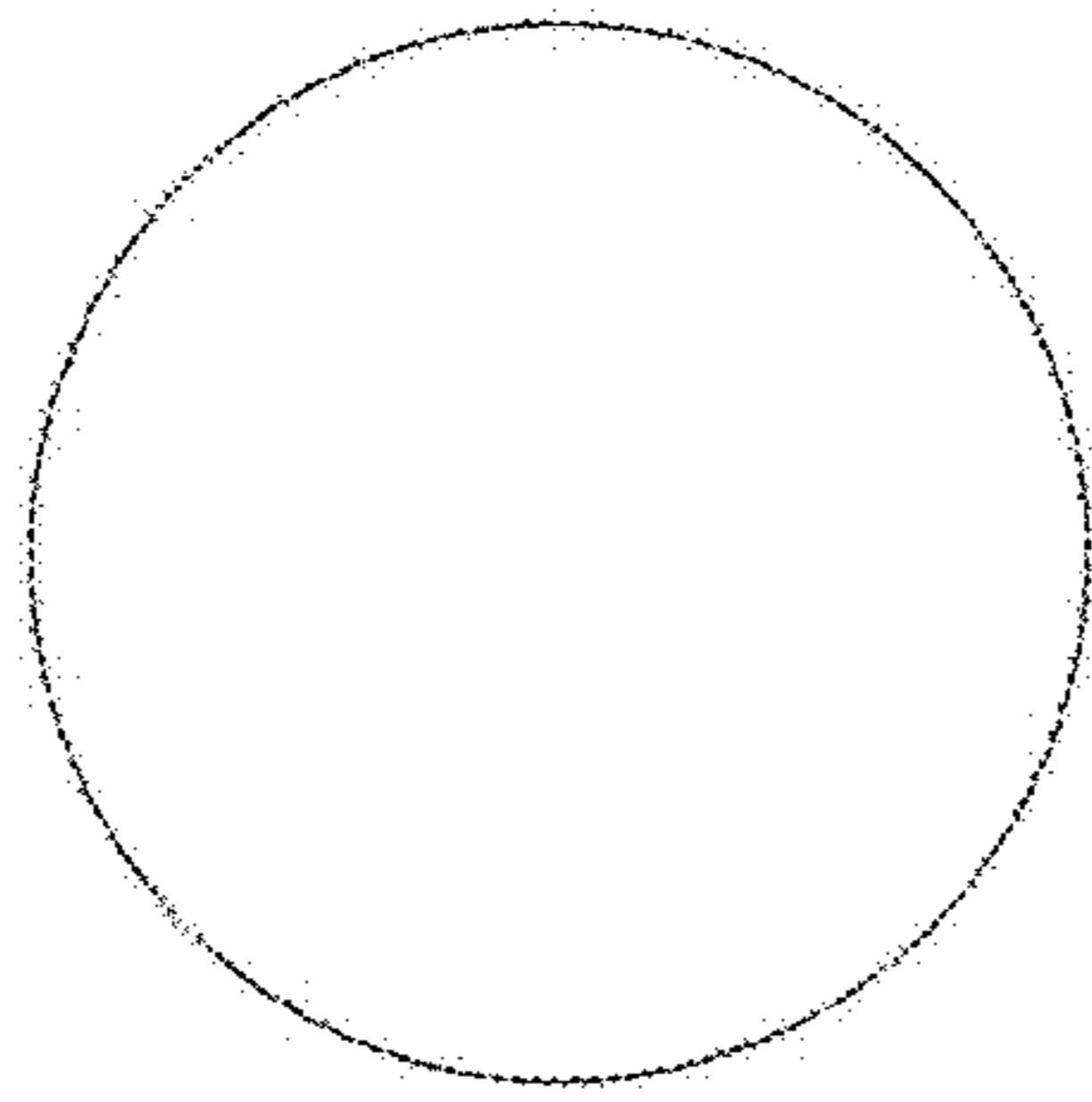


FIGURE 3