



US00D773596S

(12) **United States Design Patent** (10) **Patent No.:** **US D773,596 S**  
**Dew** (45) **Date of Patent:** **\*\* Dec. 6, 2016**

(54) **MULTIPLE MOUNT ACCESSORY RAIL**

5,533,267 A \* 7/1996 Haight, Jr. .... F41G 11/002  
42/124

(71) Applicant: **Arthur Scott Dew**, Waxahachie, TX  
(US)

\* cited by examiner

(72) Inventor: **Arthur Scott Dew**, Waxahachie, TX  
(US)

*Primary Examiner* — Michael A Pratt

(\*\*) Term: **15 Years**

(57) **CLAIM**  
The ornamental design for a multiple mount accessory rail,  
as shown and described.

(21) Appl. No.: **29/530,803**

(22) Filed: **Jun. 19, 2015**

**DESCRIPTION**

(51) **LOC (10) Cl.** ..... **22-01**

(52) **U.S. Cl.**  
USPC ..... **D22/109**

(58) **Field of Classification Search**  
USPC ..... D22/108-109; D16/132, 130, 133, 330,  
D16/134  
CPC .. F41G 11/001; F41G 11/003; F41G 11/004;  
F41G 1/00; F41G 1/38; F41G 11/005  
See application file for complete search history.

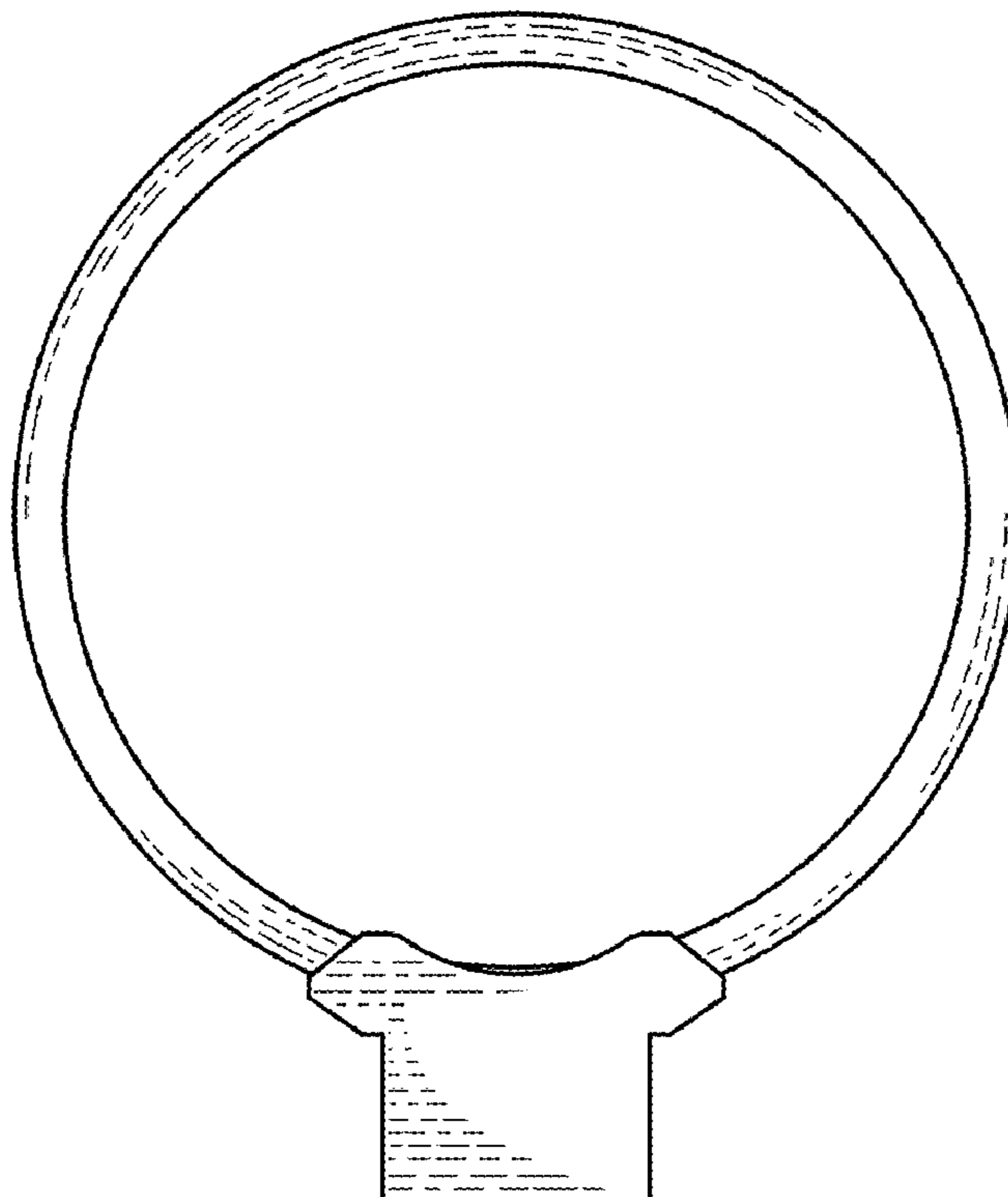
FIG. 1 is a front view thereof;  
FIG. 2 is a rear view thereof;  
FIG. 3 is a left-side view thereof;  
FIG. 4 is a right-side view thereof;  
FIG. 5 is a top plan view thereof;  
FIG. 6 is a bottom plan view thereof;  
FIG. 7 is an isometric perspective view of the multiple  
mount accessory rail;  
FIG. 8 is an exploded front view thereof; and,  
FIG. 9 is an exploded perspective view thereof.  
The broken line showing the fasteners is included for the  
purpose of illustrating environmental structure and forms no  
part of the claimed design.

(56) **References Cited**

**U.S. PATENT DOCUMENTS**

2,635,341 A \* 4/1953 Kruzell ..... F41G 11/001  
42/127

**1 Claim, 9 Drawing Sheets**



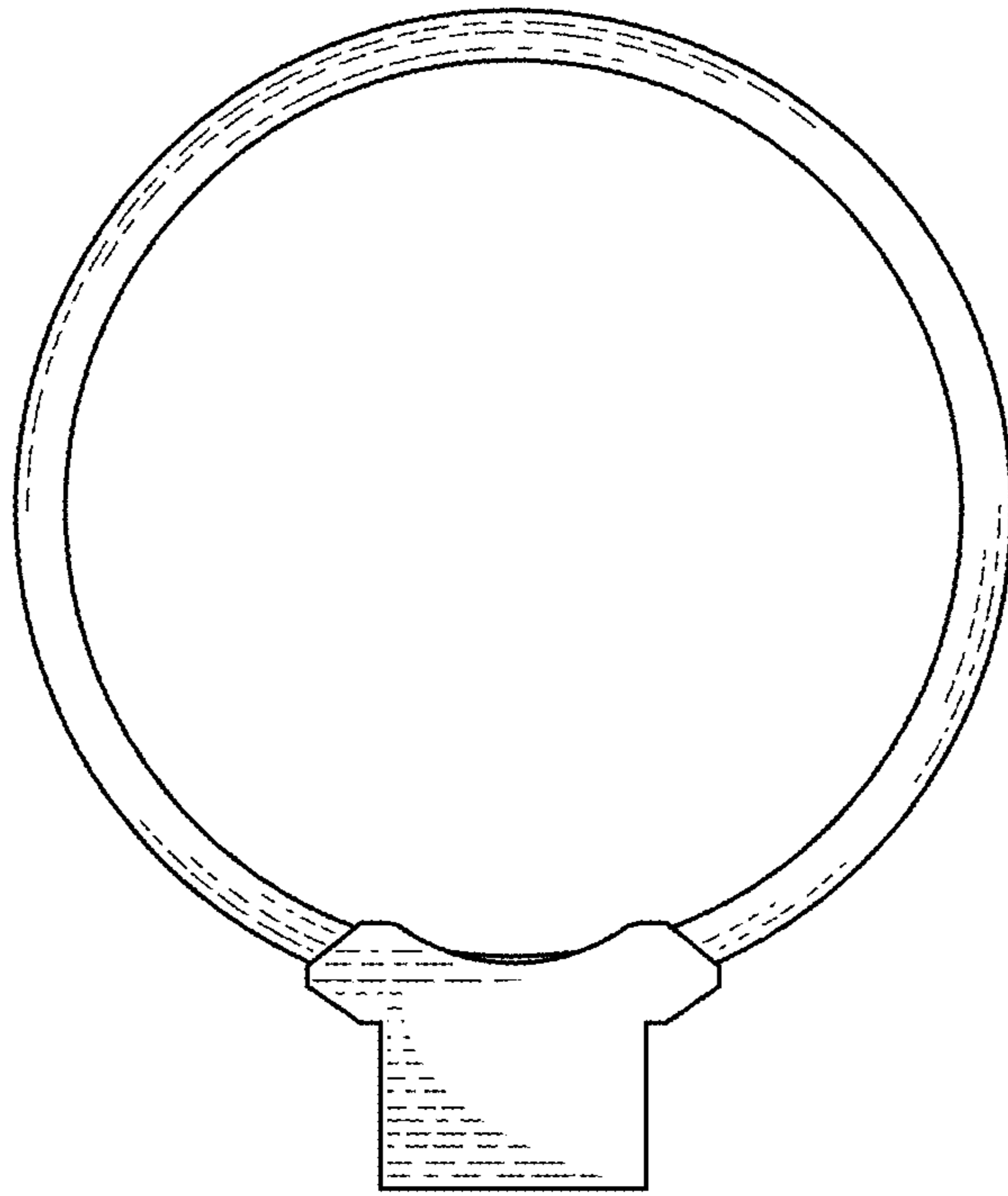


FIG. 1

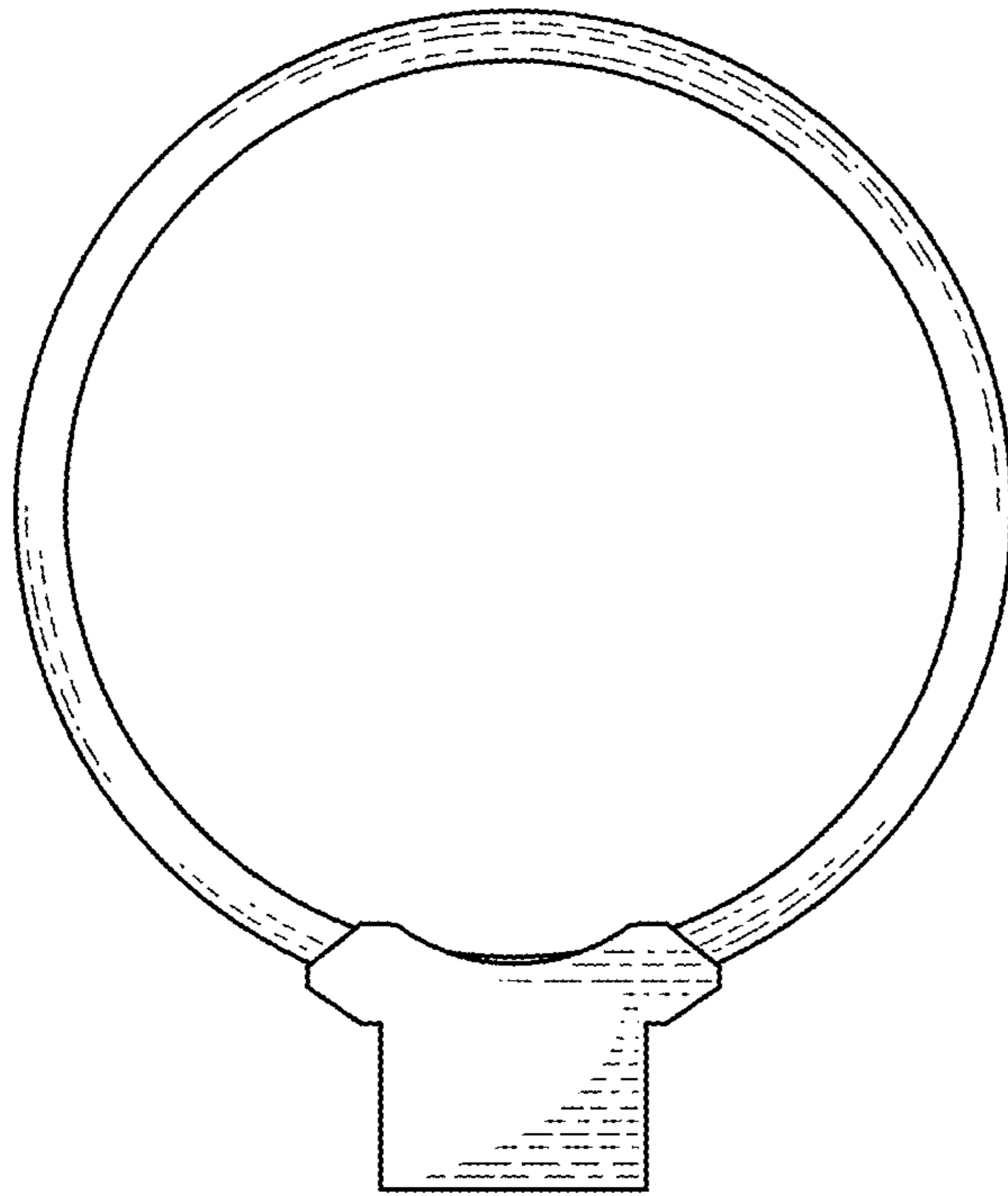


FIG. 2

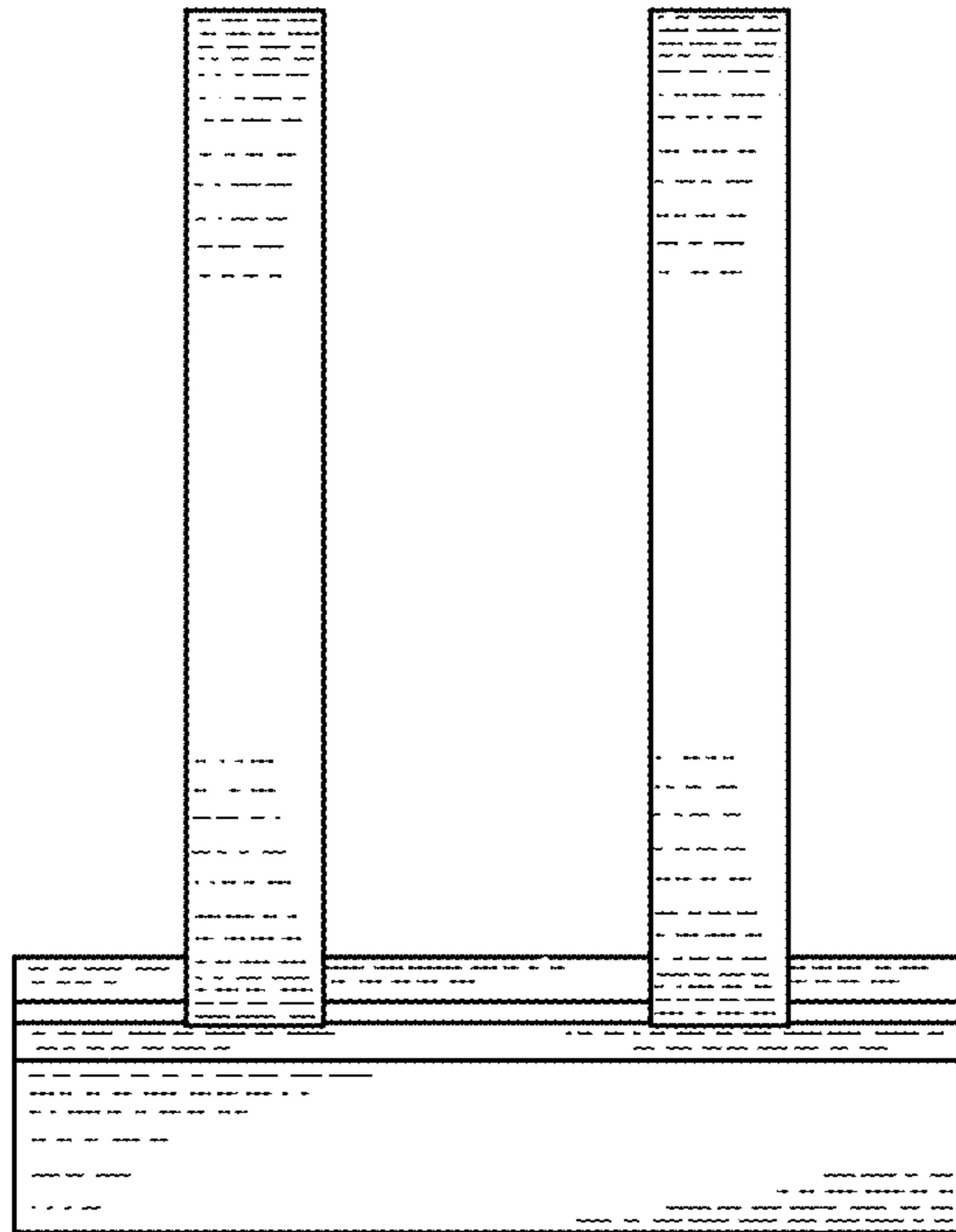


FIG. 3

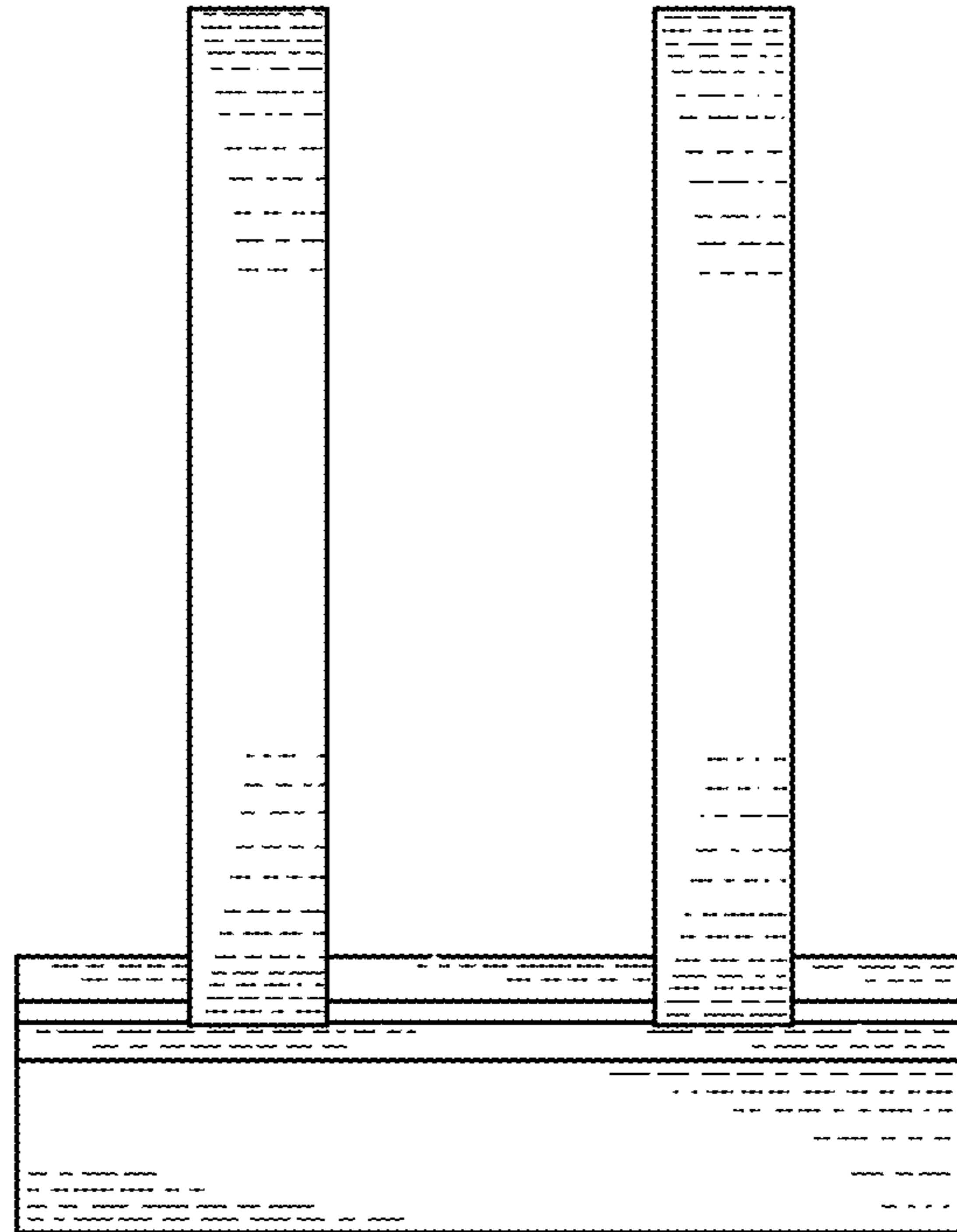


FIG. 4

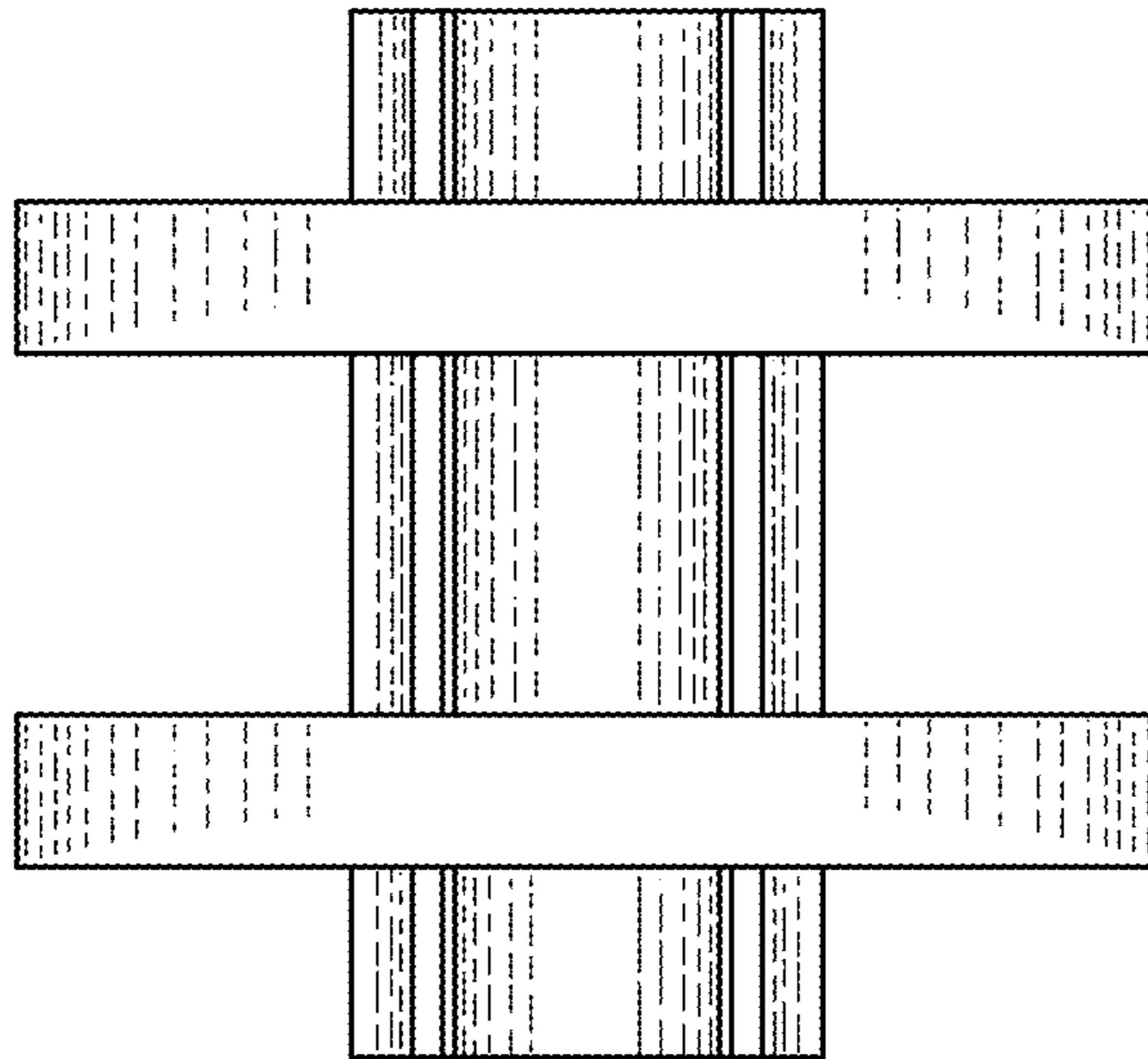


FIG. 5

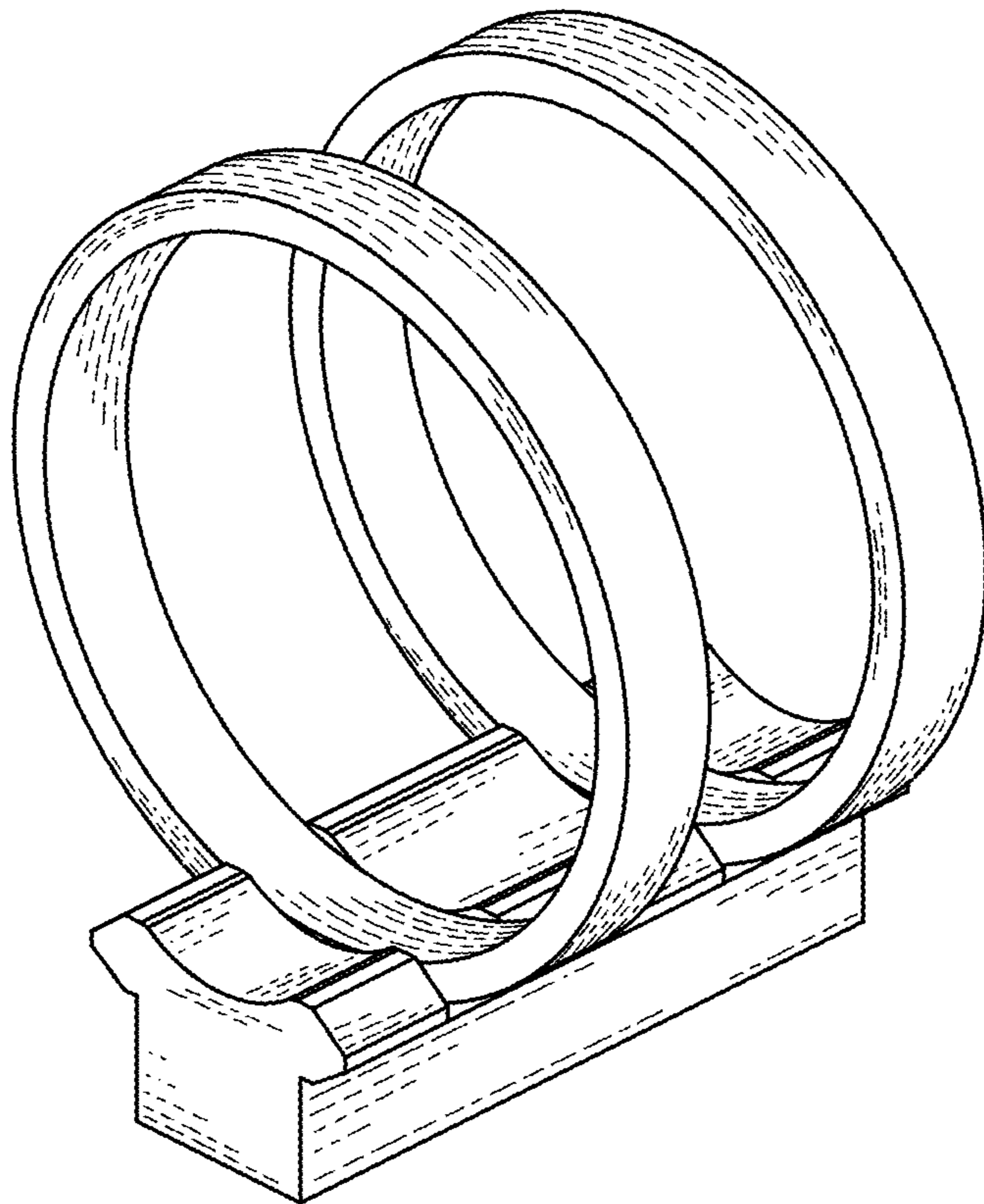


FIG. 6

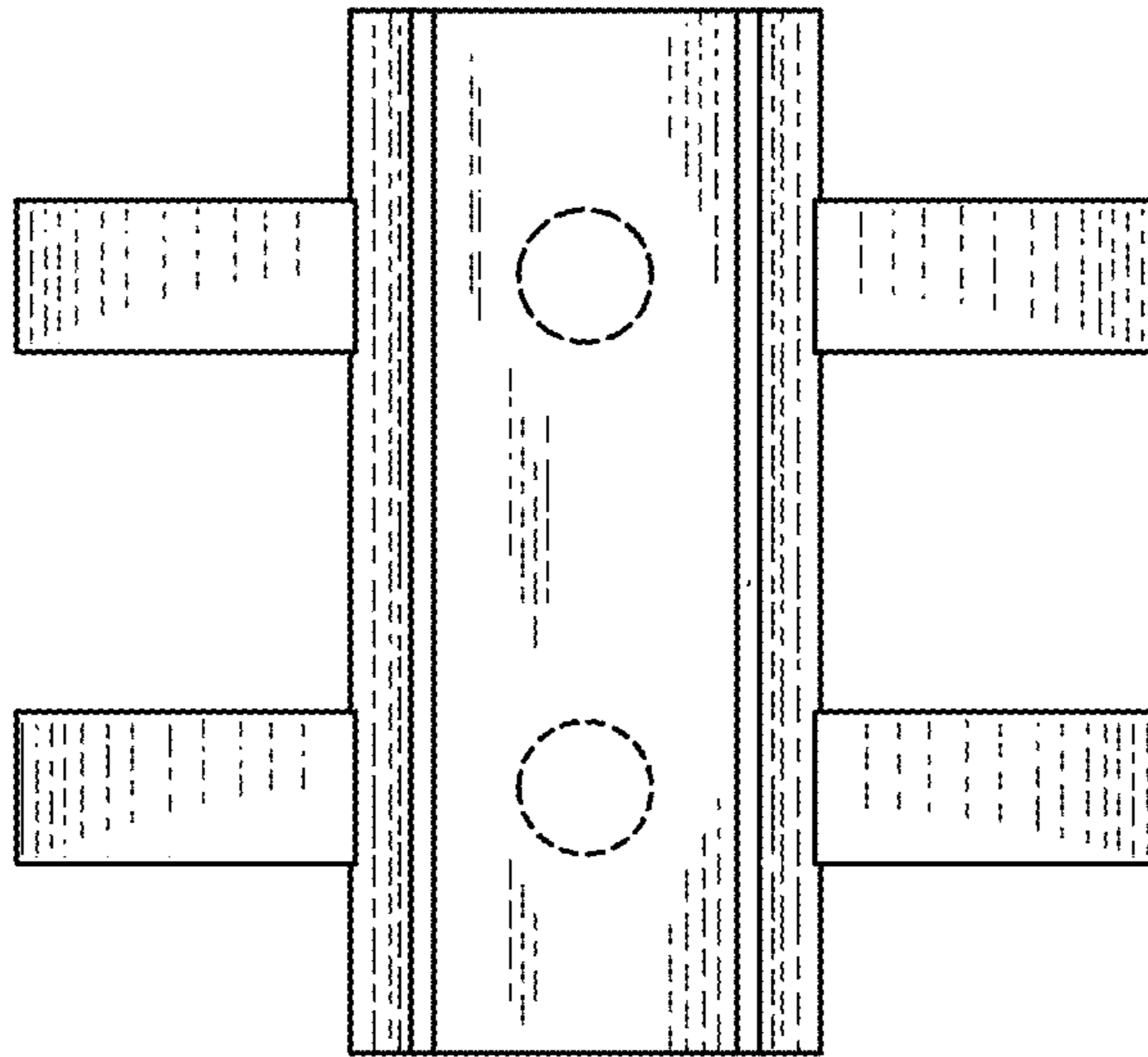


FIG. 7



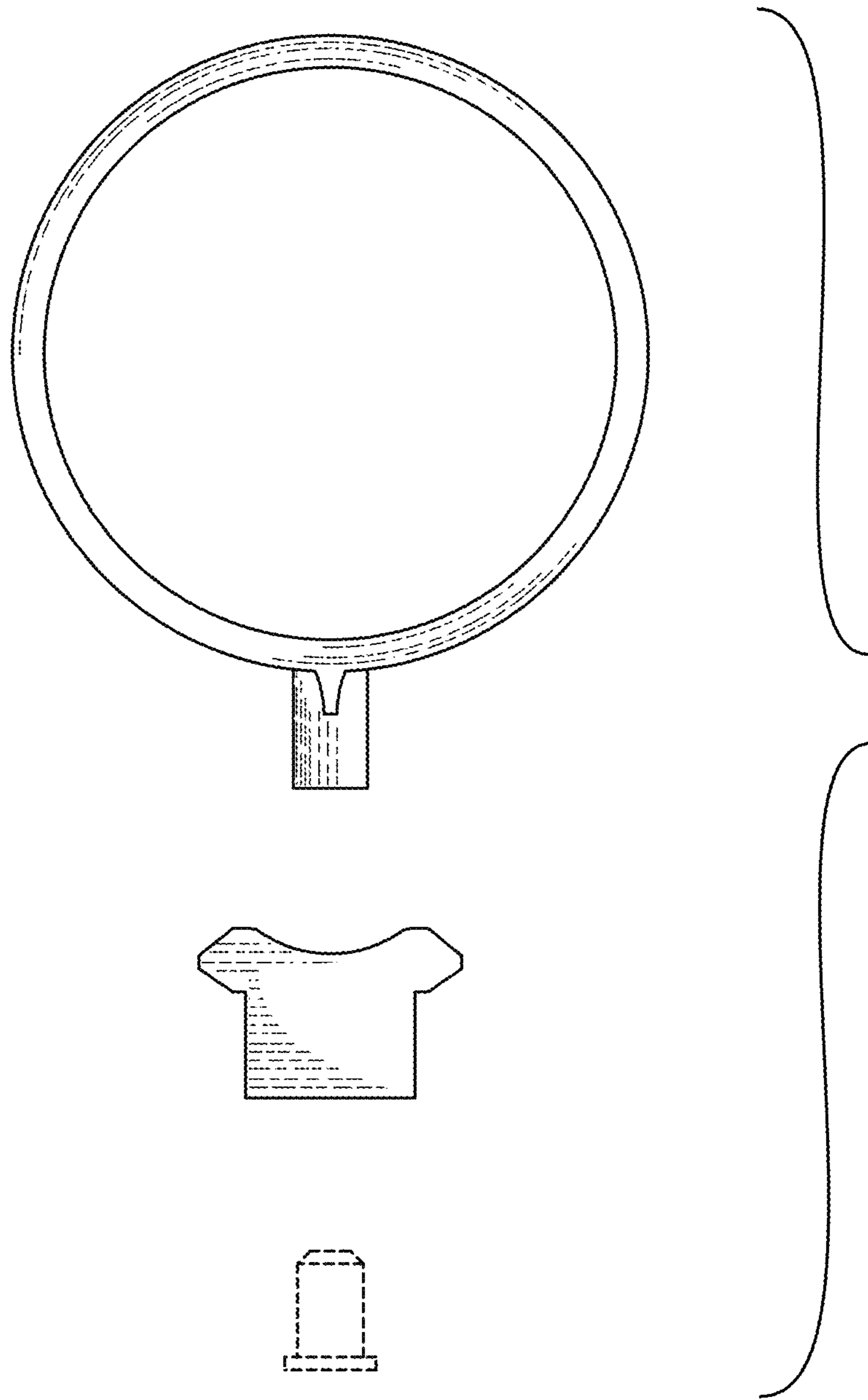


FIG. 8

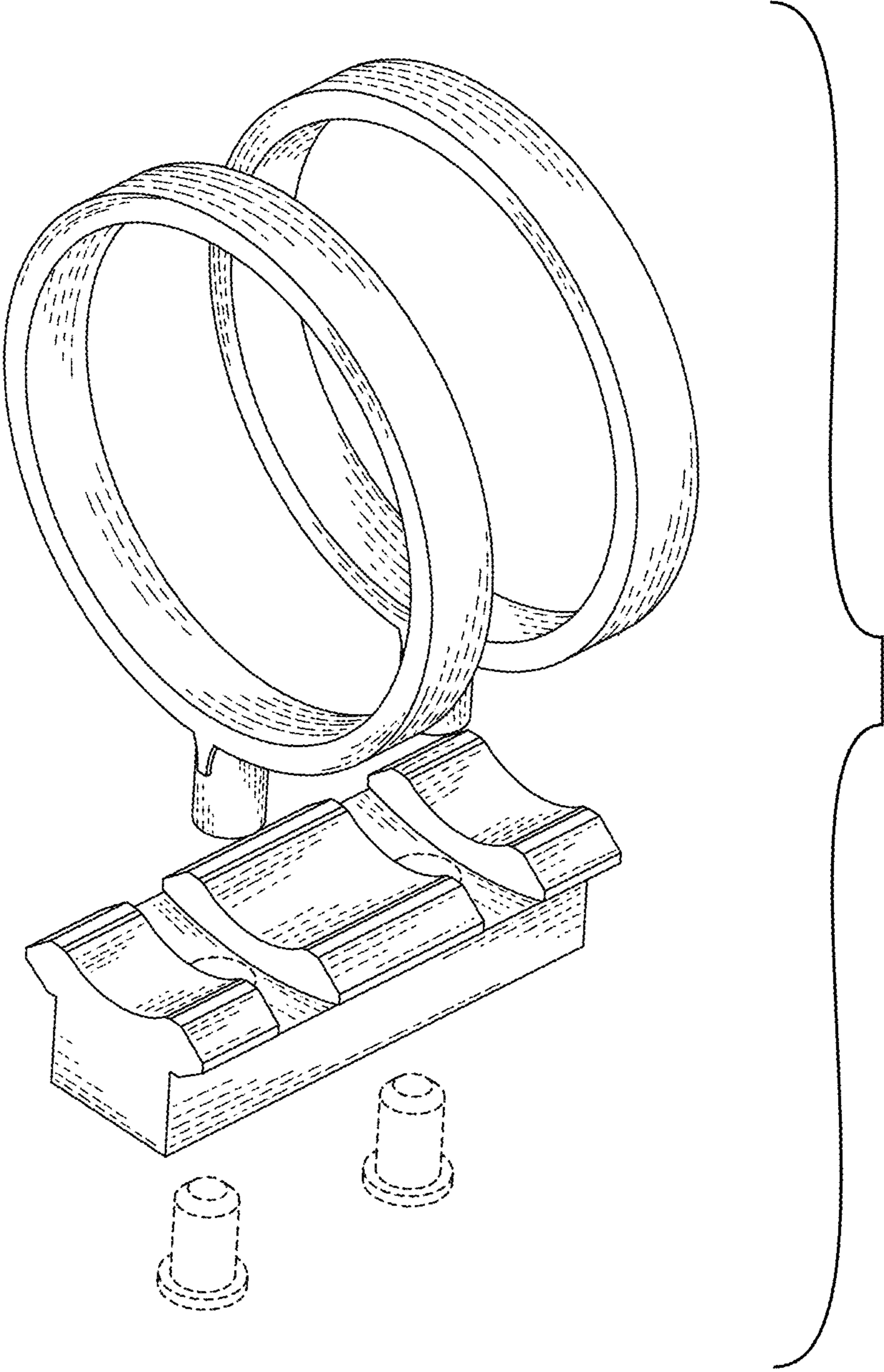


FIG. 9