



US00D773593S

(12) **United States Design Patent**  
**Hopkins et al.**

(10) **Patent No.:** **US D773,593 S**  
(45) **Date of Patent:** **\*\* Dec. 6, 2016**

(54) **ADJUSTABLE FOLDING STOCK FOR A SUBMACHINE GUN**

(71) Applicant: **Sig Sauer, Inc.**, Newington, NH (US)

(72) Inventors: **David B. Hopkins**, Exeter, NH (US);  
**Cory J. Newman**, Providence, UT (US);  
**Aaron C. Sakash**, Somersworth, NH (US)

(73) Assignee: **Sig Sauer, Inc.**, Newington, NH (US)

(\*\*) Term: **15 Years**

(21) Appl. No.: **29/551,745**

(22) Filed: **Jan. 15, 2016**

(51) **LOC (10) Cl.** ..... **22-01**

(52) **U.S. Cl.**  
USPC ..... **D22/108**

(58) **Field of Classification Search**  
USPC ..... D22/108, 109, 103, 100, 101, 104,  
105, D22/110; D21/333, 401, 567, 568,  
570-575; D14/418; 124/16, 26, 27, 28,  
29, 54, 124/73-77; 222/78, 79; 42/54, 57,  
58, 71.01, 42/72, 74, 75.3, 90; 446/23,  
182, 192, 401, 446/403, 405-407, 473,  
475

(Continued)

(56) **References Cited**

**U.S. PATENT DOCUMENTS**

2,424,194 A 7/1947 Sampson et al.  
2,970,398 A 2/1961 Crouch

(Continued)

**OTHER PUBLICATIONS**

SIG Sauer Telescoping/Folding Stock, MCX, MPX, BLK, SIG Sauer, SIG Store, [online], [site visited Sep. 30, 2016]. <URL: <http://store.sigsauer.com/sig-sauer-side-folding-and-telescoping-stock-mcx-mpx.html>>.\*

(Continued)

*Primary Examiner* — T. Chase Nelson

*Assistant Examiner* — Jonathan J Han

(74) *Attorney, Agent, or Firm* — Finch & Maloney PLLC

(57) **CLAIM**

The ornamental design for an adjustable folding stock for a submachine gun, as shown and described.

**DESCRIPTION**

FIG. 1 is a left elevation view of an adjustable folding stock for a submachine gun showing the design;  
FIG. 2 is a right elevation view thereof;  
FIG. 3 is a rear elevation view thereof;  
FIG. 4 is a front elevation view thereof;  
FIG. 5 is a top plan view thereof;  
FIG. 6 is a bottom plan view thereof;  
FIG. 7 is a rear perspective view thereof;  
FIG. 8 is a left elevation view thereof, shown in a first alternate position;  
FIG. 9 is a right elevation view thereof, shown in the first alternate position;  
FIG. 10 is a rear elevation view thereof, shown in the first alternate position;  
FIG. 11 is a front elevation view thereof, shown in the first alternate position;  
FIG. 12 is a top plan view thereof, shown in the first alternate position;  
FIG. 13 is a bottom plan view thereof, shown in the first alternate position;  
FIG. 14 is a rear perspective view thereof, shown in the first alternate position;  
FIG. 15 is a left elevation view thereof, shown in a second alternate position;  
FIG. 16 is a right elevation view thereof, shown in the second alternate position;  
FIG. 17 is a rear elevation view thereof, shown in the second alternate position;  
FIG. 18 is a front elevation view thereof, shown in the second alternate position;  
FIG. 19 is a top plan view thereof, shown in the second alternate position;  
FIG. 20 is a bottom plan view thereof, shown in the second alternate position; and,

(Continued)

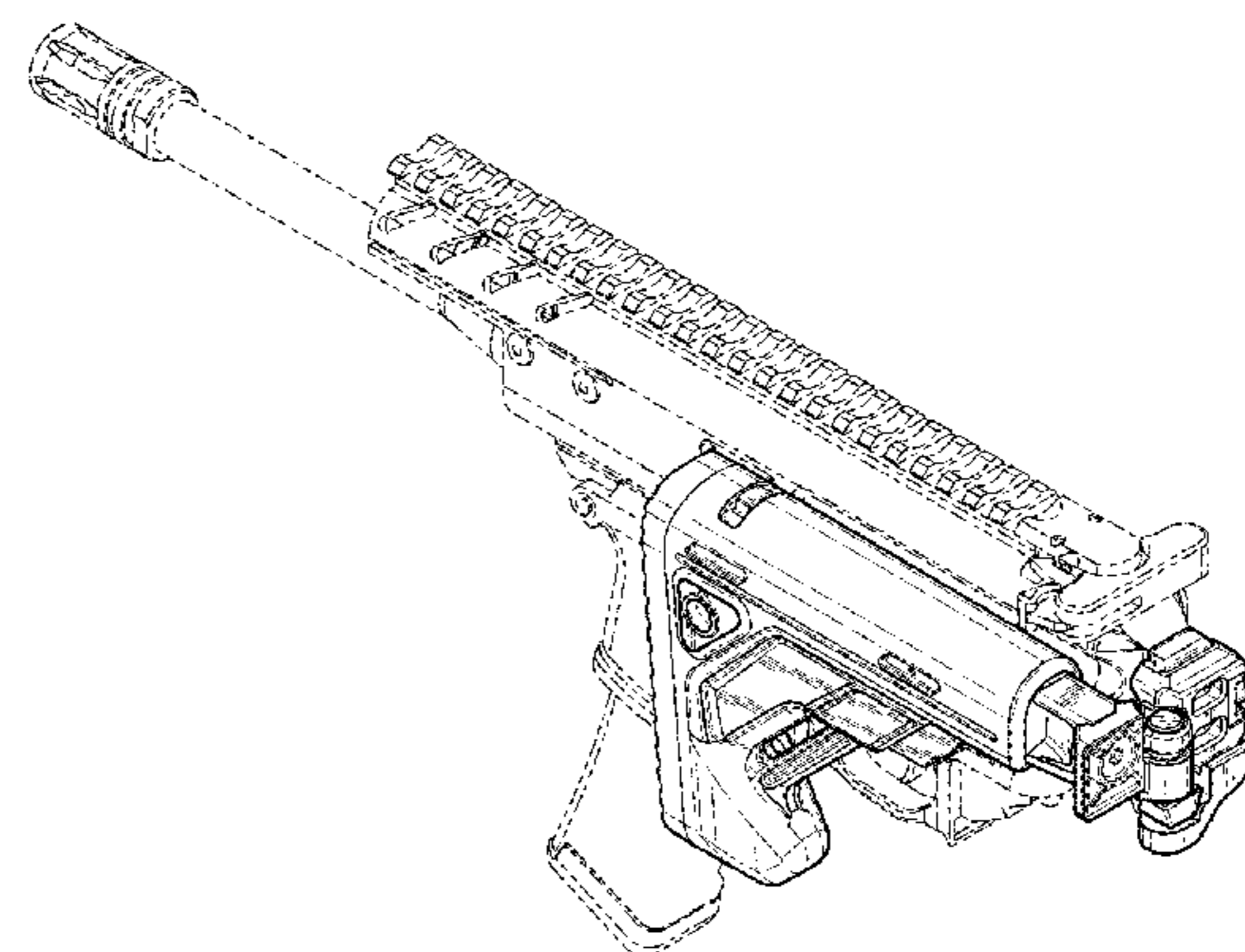
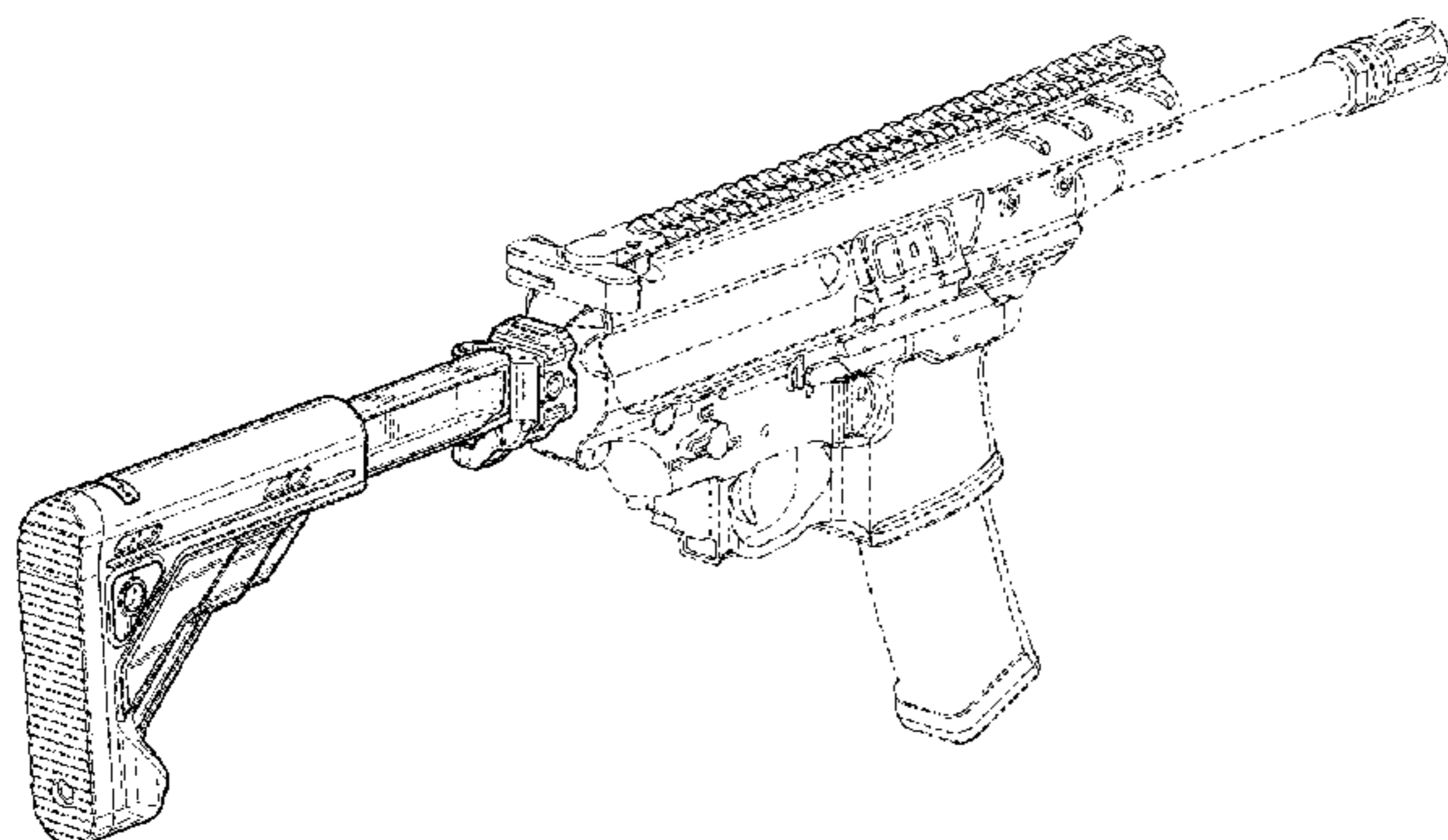


FIG. 21 is a rear perspective view thereof, shown in the second alternate position.

Broken lines in the drawings are for the purpose of illustrating environmental structure and form no part of the claimed design.

**1 Claim, 15 Drawing Sheets**

**(58) Field of Classification Search**

CPC ..... F41C 23/00; F41C 23/02; F41C 23/04; F41C 23/06; F41C 23/08; F41C 23/10; F41C 23/12; F41C 23/14; F41C 23/16; F41C 23/18; F41C 23/20; F41C 23/22; F41C 7/02; F41C 7/04; F41C 7/06; F41C 7/11; F41C 7/12; F41C 27/00; F41C 27/06

See application file for complete search history.

**(56) References Cited**

**U.S. PATENT DOCUMENTS**

3,201,887 A \* 8/1965 Sedelow ..... F41C 23/04  
42/72  
3,369,316 A \* 2/1968 Miller ..... F41C 23/04  
42/72  
3,488,488 A 1/1970 Crouch  
3,618,584 A 11/1971 Pigeon  
4,512,236 A 4/1985 Thevis et al.  
4,617,749 A 10/1986 Jurek  
4,735,007 A 4/1988 Gal  
5,209,215 A \* 5/1993 Morrison ..... F41B 5/12  
124/22  
D344,124 S 2/1994 Cupp  
D410,988 S 6/1999 Hines  
5,983,774 A 11/1999 Mihaita  
6,839,998 B1 1/2005 Armstrong  
D510,401 S 10/2005 Murello et al.  
7,418,797 B1 \* 9/2008 Crose ..... F41C 23/14  
42/71.01  
D600,310 S 9/2009 Fitzpatrick et al.  
D606,155 S 12/2009 Swan  
D606,156 S 12/2009 Swan  
D622,802 S \* 8/2010 Fitzpatrick ..... D22/103  
7,798,045 B1 \* 9/2010 Fitzpatrick ..... F41A 21/481  
42/69.02  
7,827,722 B1 \* 11/2010 Davies ..... F41A 3/94  
42/71.01  
D636,044 S 4/2011 Larson et al.  
D636,048 S 4/2011 Larson et al.  
7,966,761 B1 \* 6/2011 Kuczynko ..... F41C 23/04  
42/73  
D641,062 S \* 7/2011 Faifer ..... D22/103  
3,061,072 A1 11/2011 Crose  
8,109,026 B1 \* 2/2012 Bentley ..... F41C 23/04  
42/73  
8,151,504 B1 4/2012 Aiston  
8,245,429 B2 8/2012 Kuczynko et al.

D671,184 S 11/2012 Larson et al.  
D674,859 S 1/2013 Robbins et al.  
8,443,538 B1 5/2013 Moody  
8,448,366 B2 \* 5/2013 Faifer ..... F41C 23/04  
42/71.01  
8,522,467 B1 9/2013 Christensen et al.  
D692,084 S \* 10/2013 Eberle ..... D22/103  
D692,517 S 10/2013 Faifer  
D696,374 S \* 12/2013 Faifer ..... D22/104  
8,631,601 B2 \* 1/2014 Langevin ..... F41C 23/04  
42/73  
8,667,882 B1 3/2014 Larson et al.  
D702,792 S \* 4/2014 Burt ..... D22/103  
8,726,558 B1 5/2014 Nason  
8,769,855 B2 7/2014 Law  
D714,413 S 9/2014 Kerbrat et al.  
8,844,185 B2 9/2014 Jarboe  
D716,403 S 10/2014 Burt et al.  
D724,688 S 3/2015 Hirt et al.  
D725,213 S 3/2015 Hirt et al.  
D725,219 S 3/2015 Hirt et al.  
D725,220 S 3/2015 Hirt et al.  
D731,023 S 6/2015 Hirt et al.  
D733,223 S \* 6/2015 Chu ..... D21/573  
D744,056 S \* 11/2015 Jammot ..... D22/108  
9,297,609 B2 \* 3/2016 Burt ..... F41C 23/16  
9,453,701 B2 \* 9/2016 Simek ..... F41C 23/14  
2005/0108915 A1 \* 5/2005 Kincel ..... F41C 23/22  
42/71.01  
2006/0242880 A1 \* 11/2006 Griffin ..... F41C 23/04  
42/73  
2008/0028662 A1 \* 2/2008 Abraham ..... F41C 23/14  
42/73  
2009/0282718 A1 11/2009 Bartley  
2010/0186276 A1 7/2010 Herring  
2011/0283581 A1 11/2011 Freed  
2012/0017482 A1 1/2012 Chvala  
2012/0180354 A1 7/2012 Sullivan et al.  
2013/0125442 A1 5/2013 Burrell, Jr.  
2014/0033590 A1 2/2014 Gomez  
2014/0075816 A1 3/2014 Larson et al.  
2014/0196346 A1 7/2014 Grimshaw et al.  
2014/0260946 A1 9/2014 Gomez  
2016/0084612 A1 \* 3/2016 Robinson ..... F41C 23/04  
42/73

**OTHER PUBLICATIONS**

Telescoping/Folding Stock for the SIG MPX and SIG MCX, SIG Sauer, Inc., Youtube, published on Dec. 11, 2015, [online], [site visited Sep. 30, 2016]. <URL: <https://www.youtube.com/watch?v=4nayEomcEKg&feature=youtu.be>>.\*  
MDM—SIG Sauer, Soldier Systems, entry posted Wednesday, Sep. 23, 2015 at 20:05, [online], [site visited Sep. 30, 2016]. <URL: <http://soldiersystems.net/2015/09/23/mdm-sig-sauer/>>.\*  
Here's what I received today. Definitely not the original stock they listed., SIGforum.com, posted by bhead, posted Jan. 2, 2016 02:57 PM, [online], [site visited Sep. 30, 2016]. <URL: <http://sigforum.com/eve/forums/a/tpc/f/320601935/m/4610068653/p/87>>.\*

\* cited by examiner



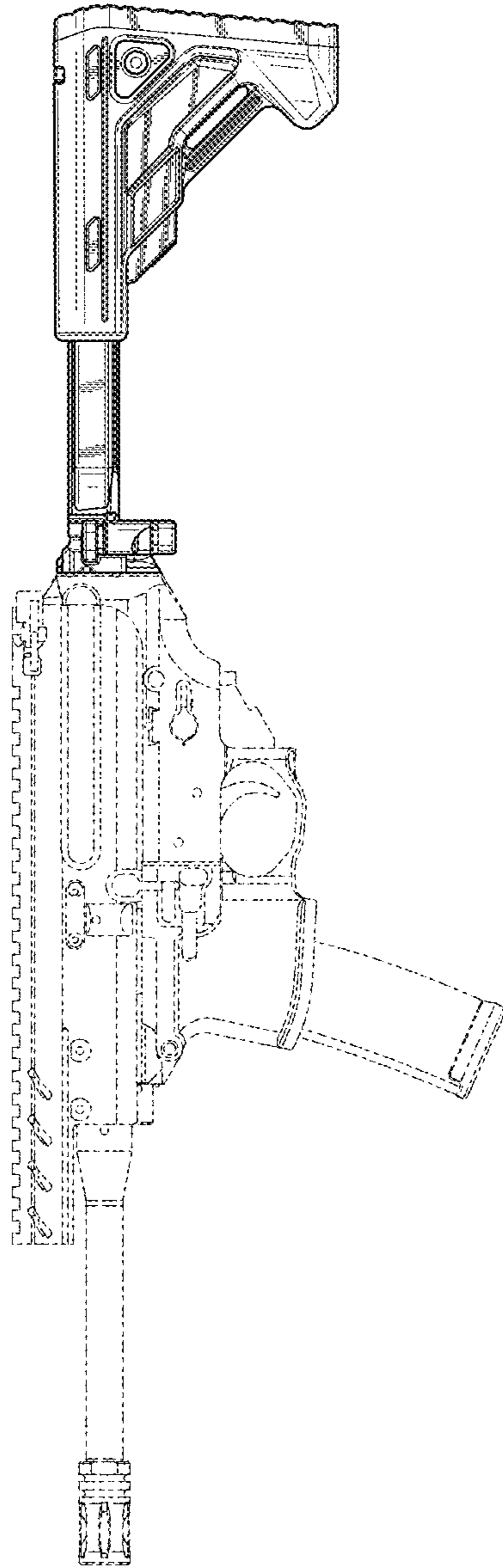


FIG. 1

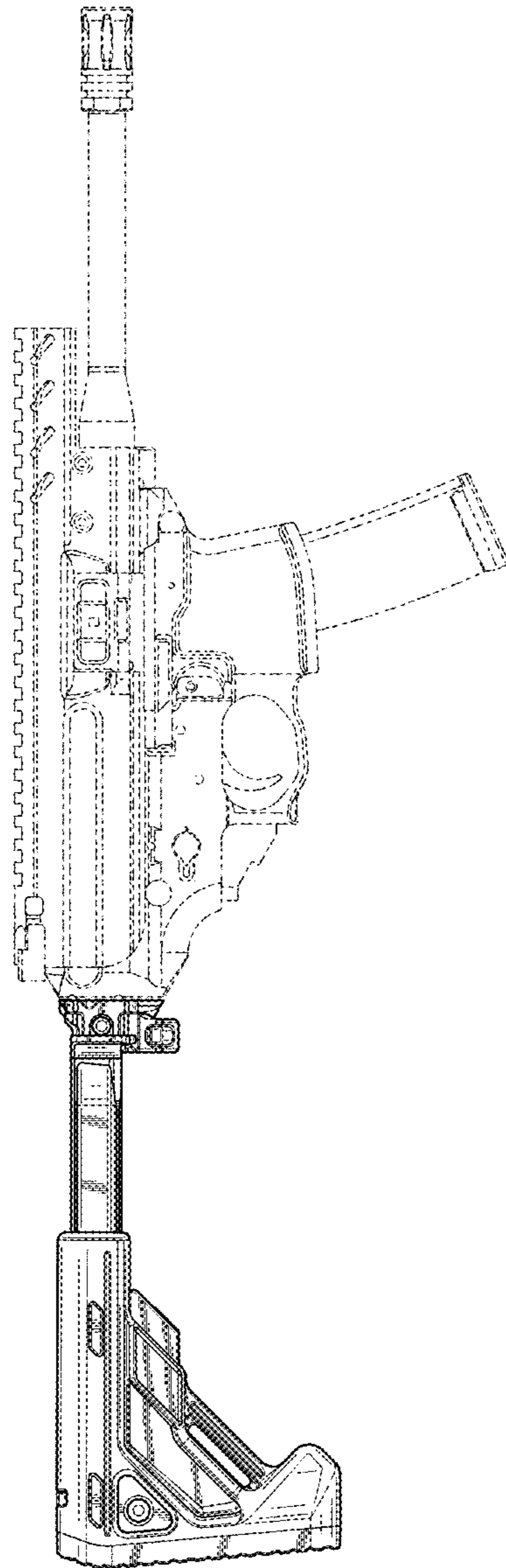


FIG. 2

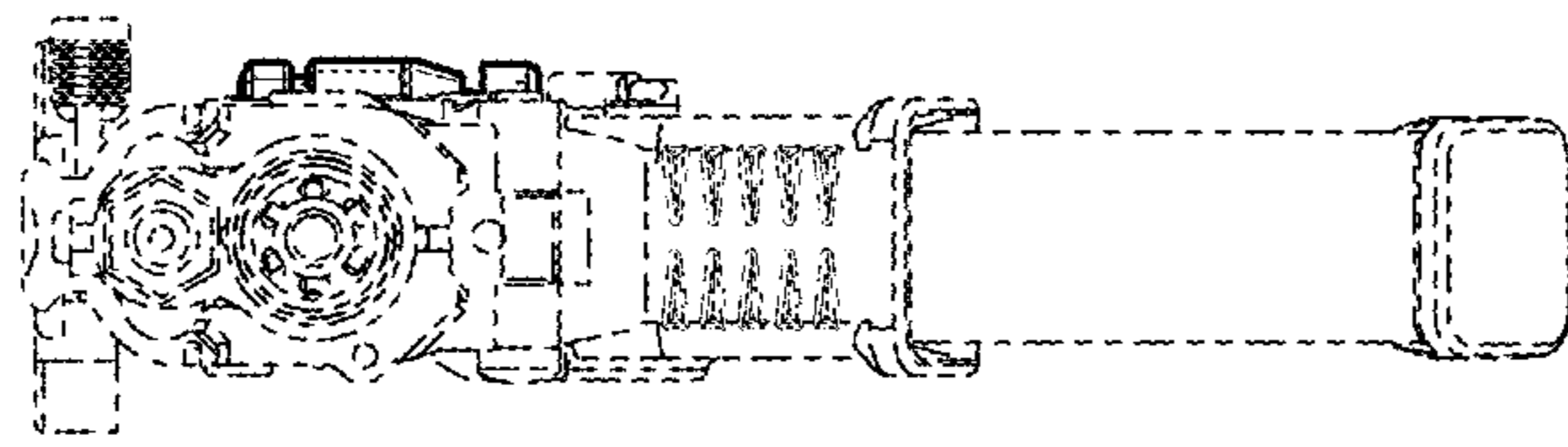


FIG. 4

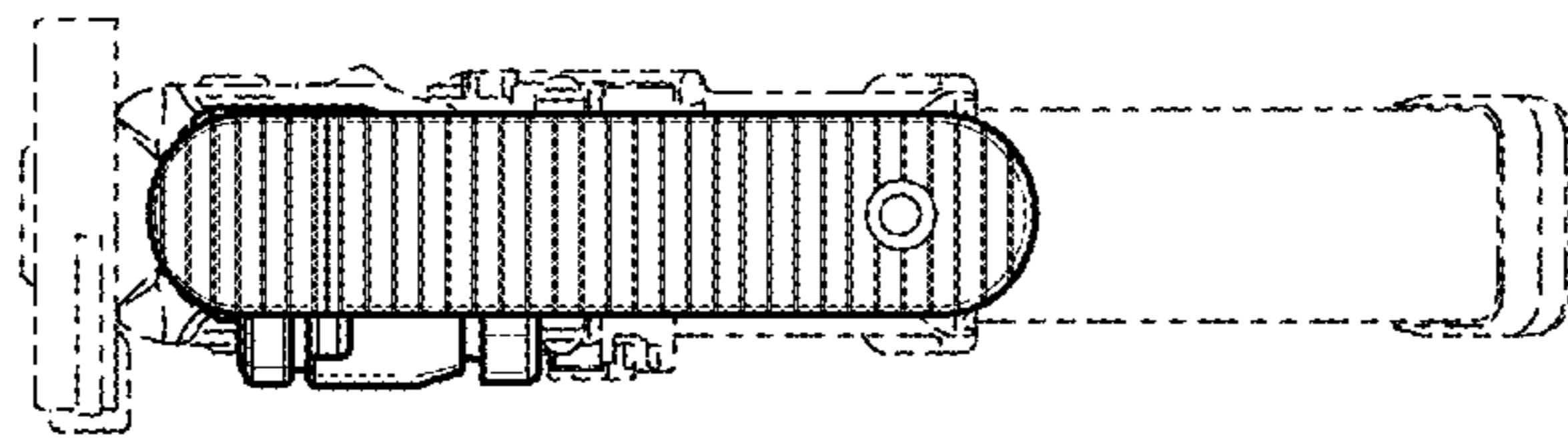


FIG. 3

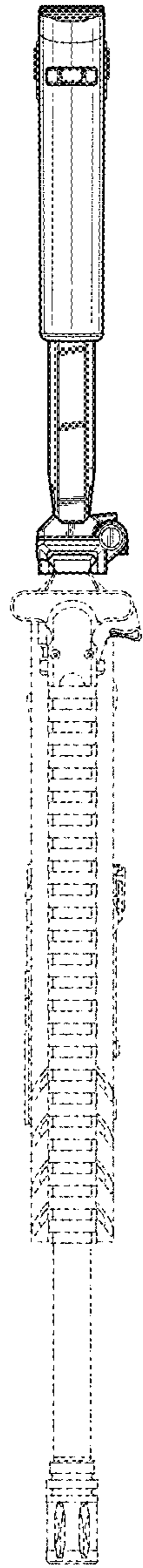


FIG. 5

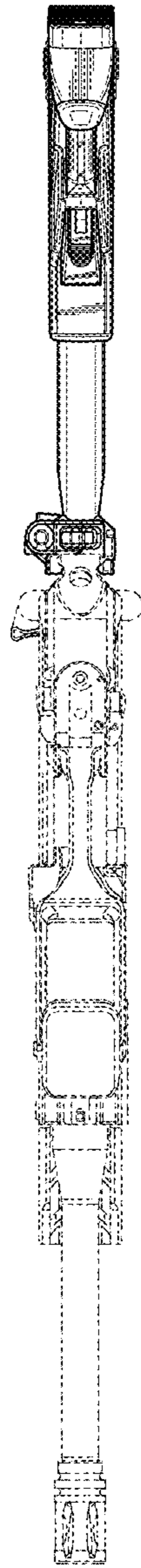


FIG. 6

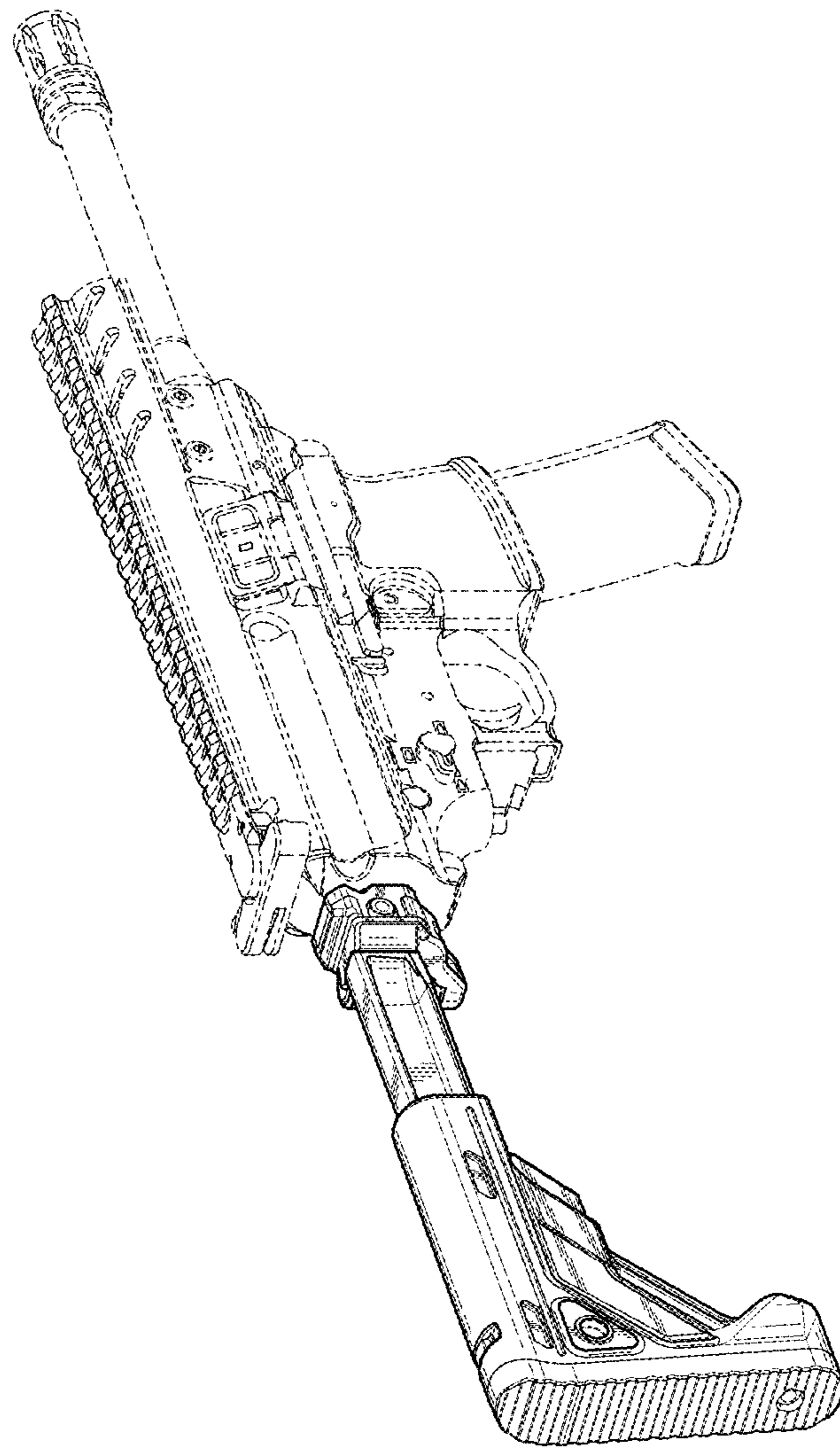


FIG. 7

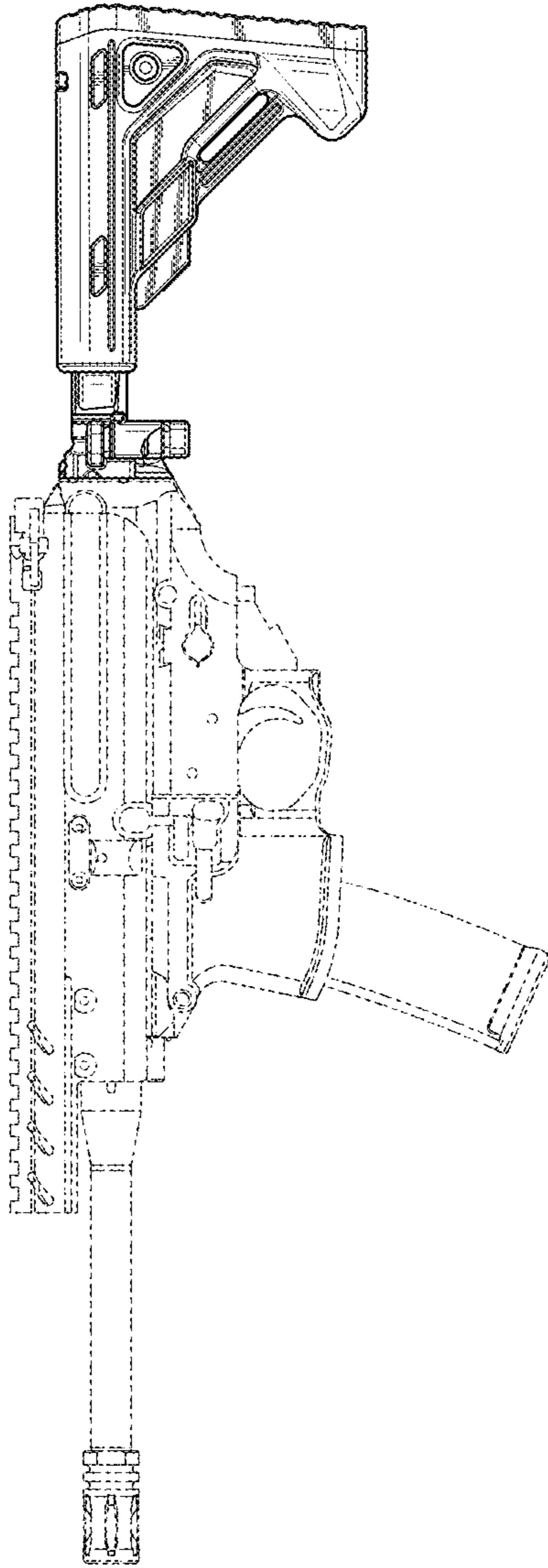


FIG. 8



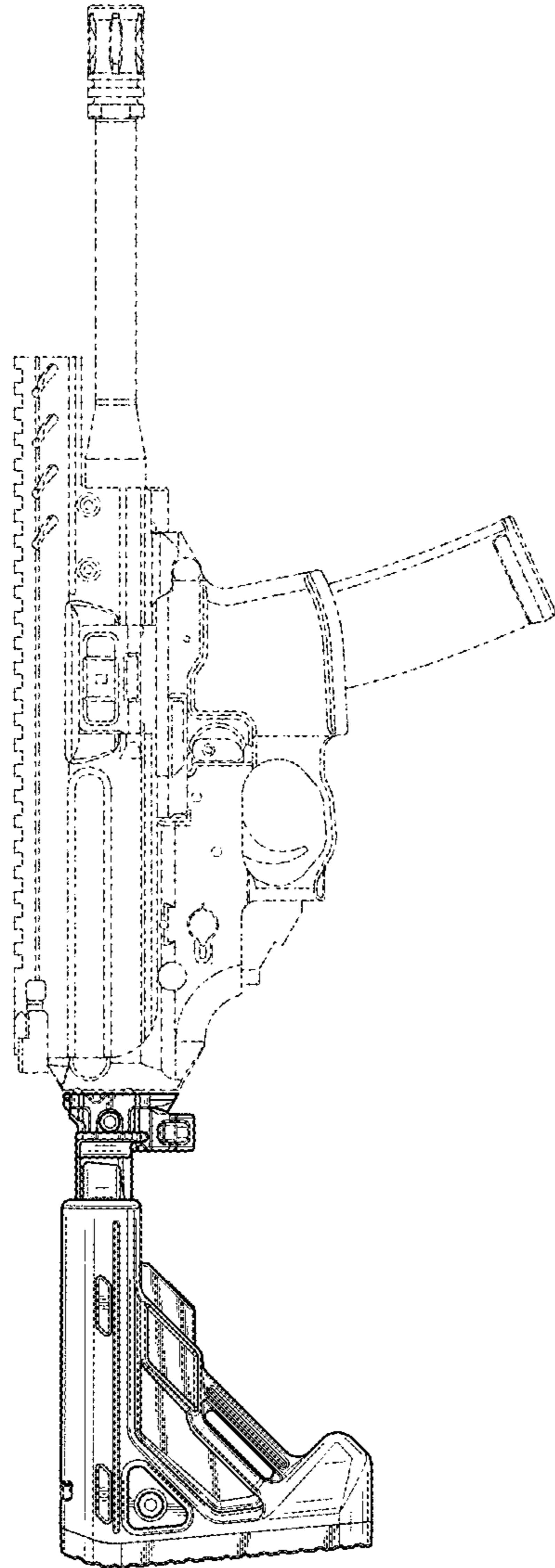


FIG. 9

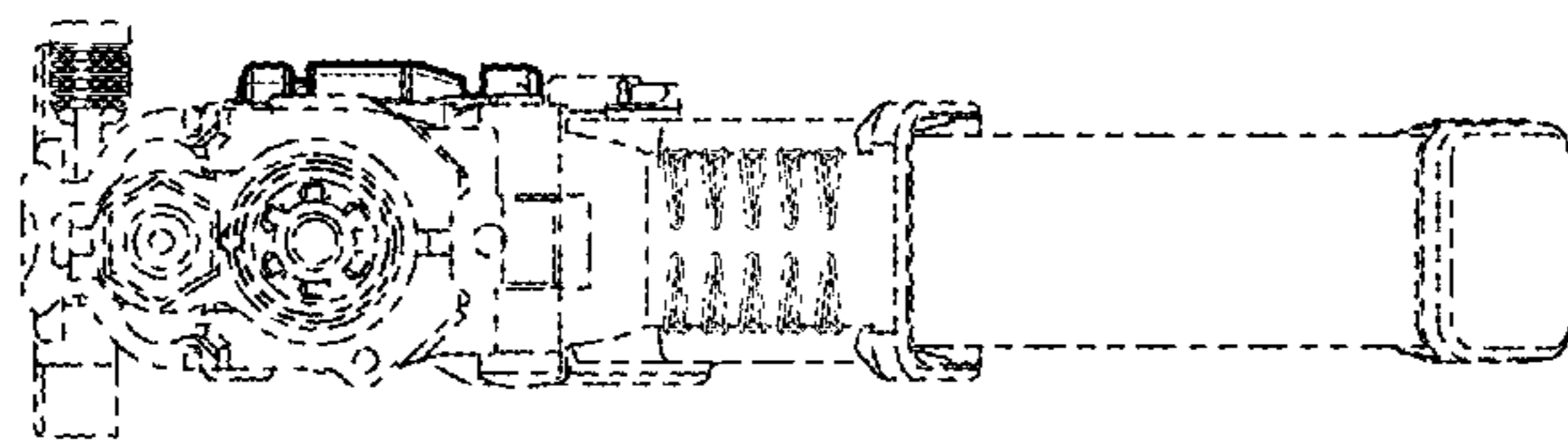


FIG. 11

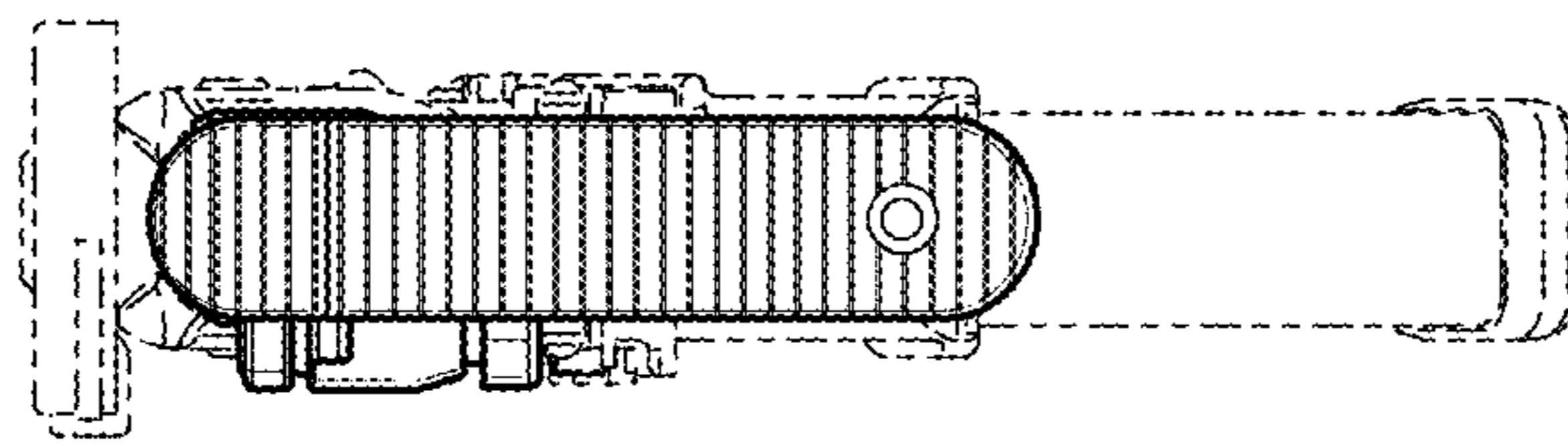


FIG. 10

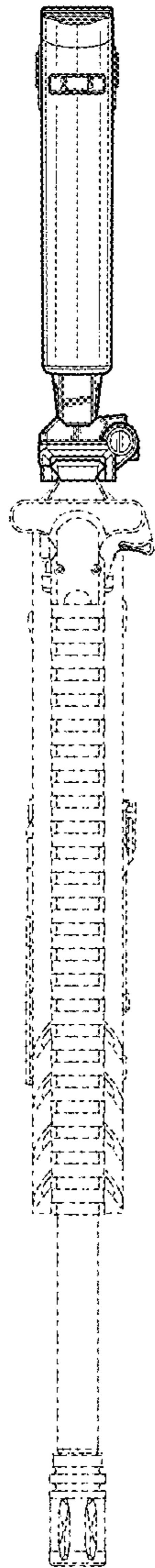


FIG. 12

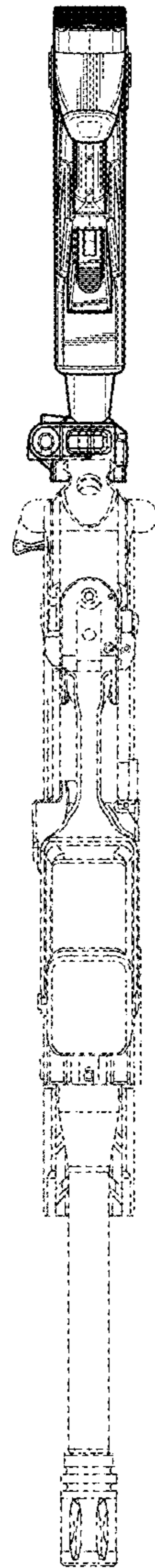


FIG. 13

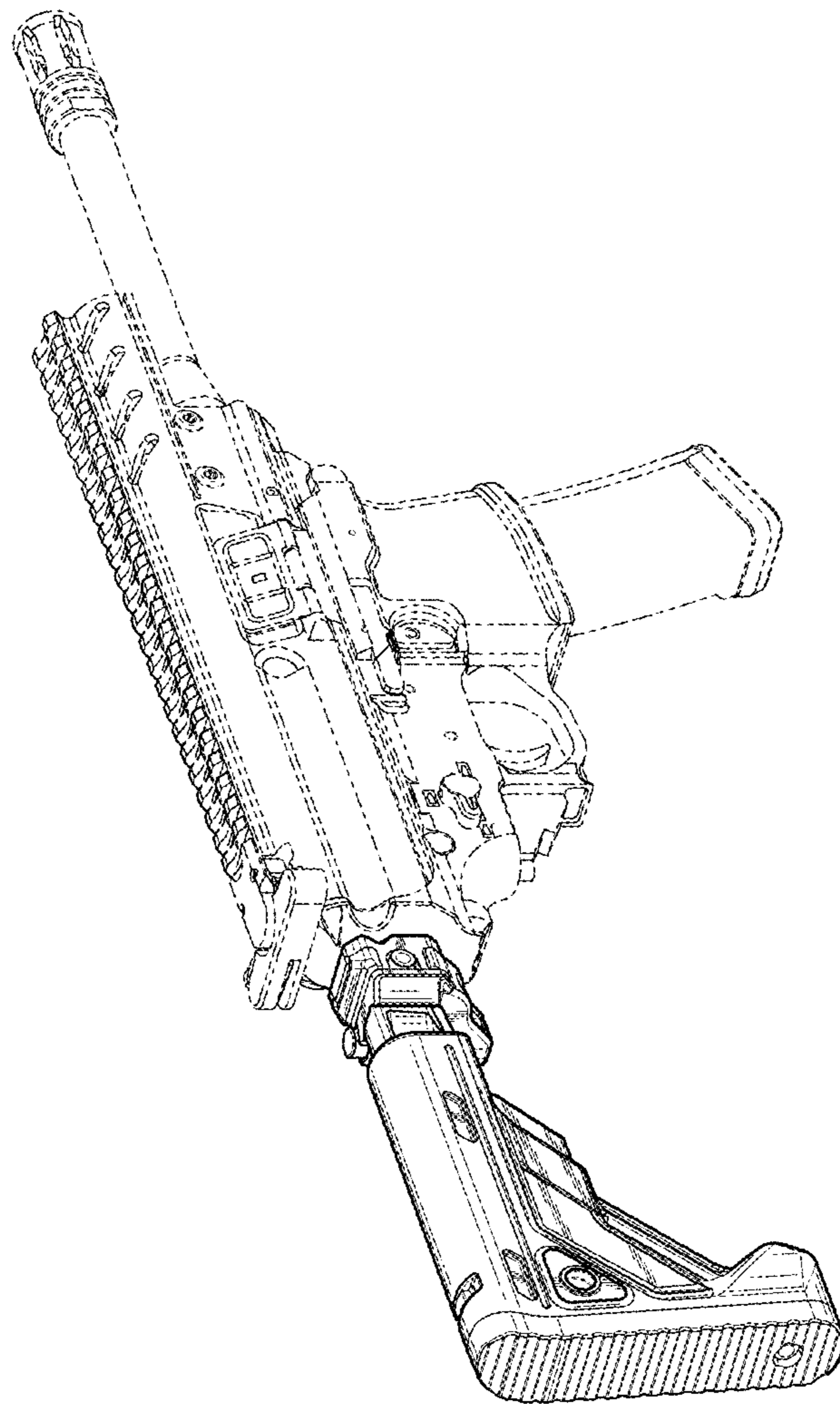


FIG. 14



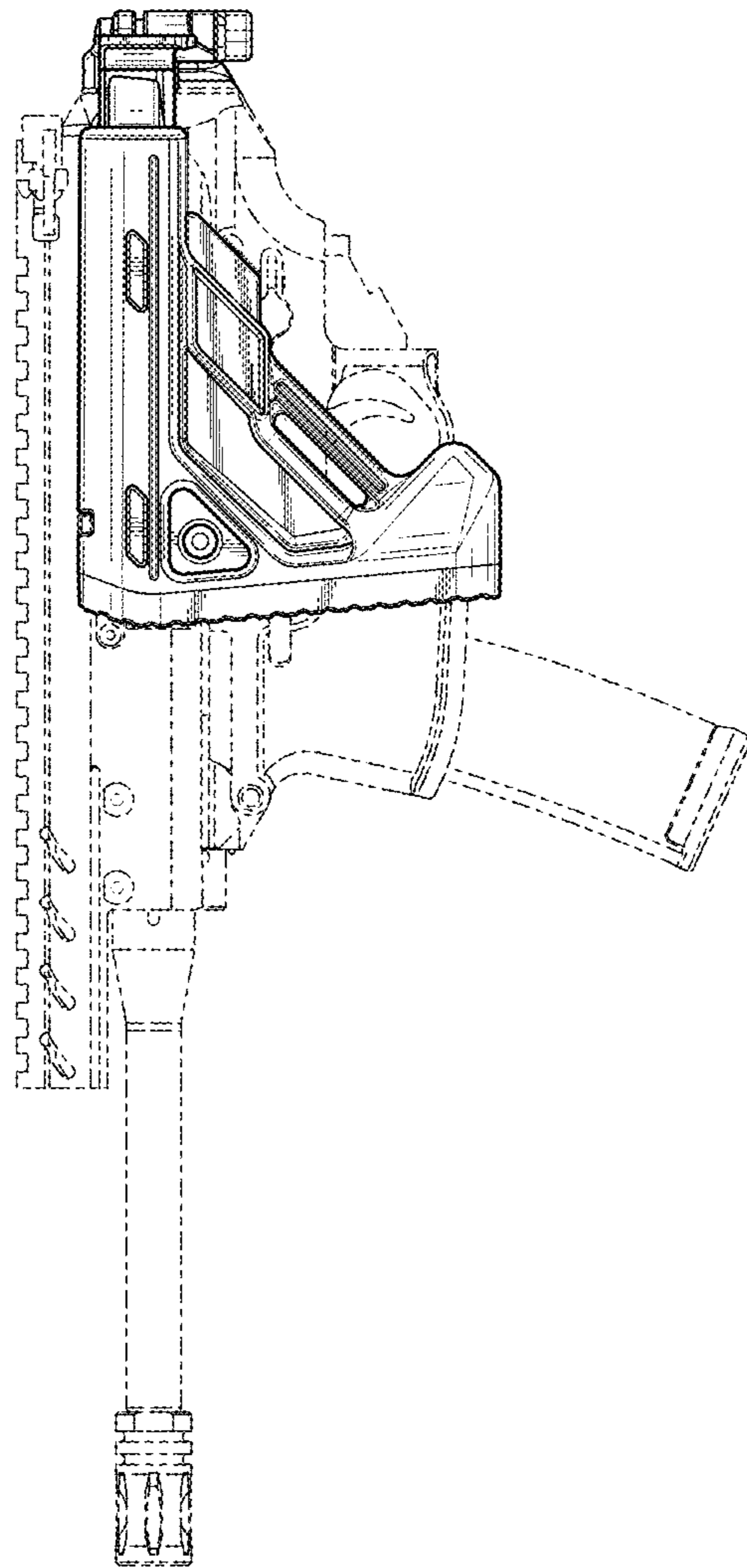


FIG. 15

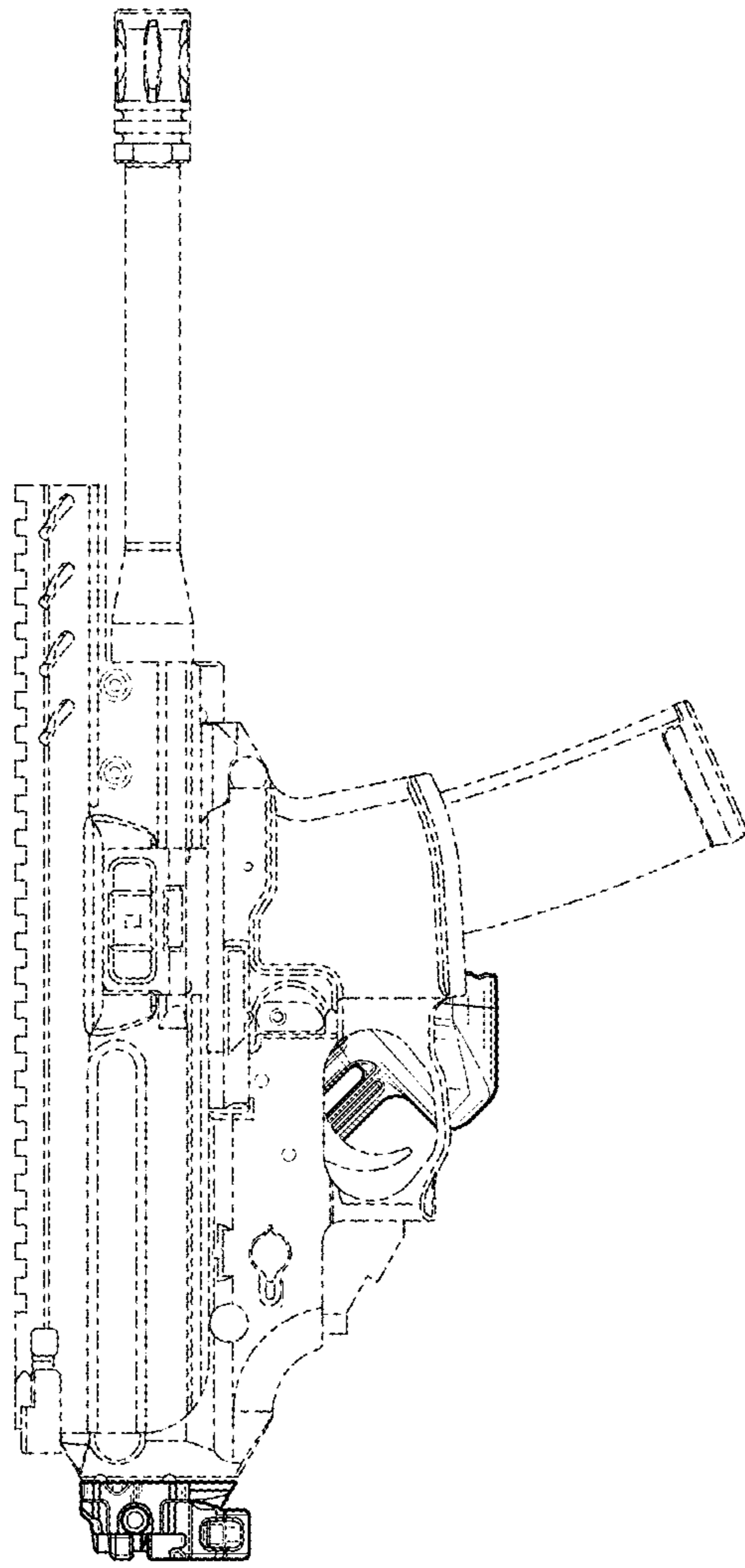


FIG. 16

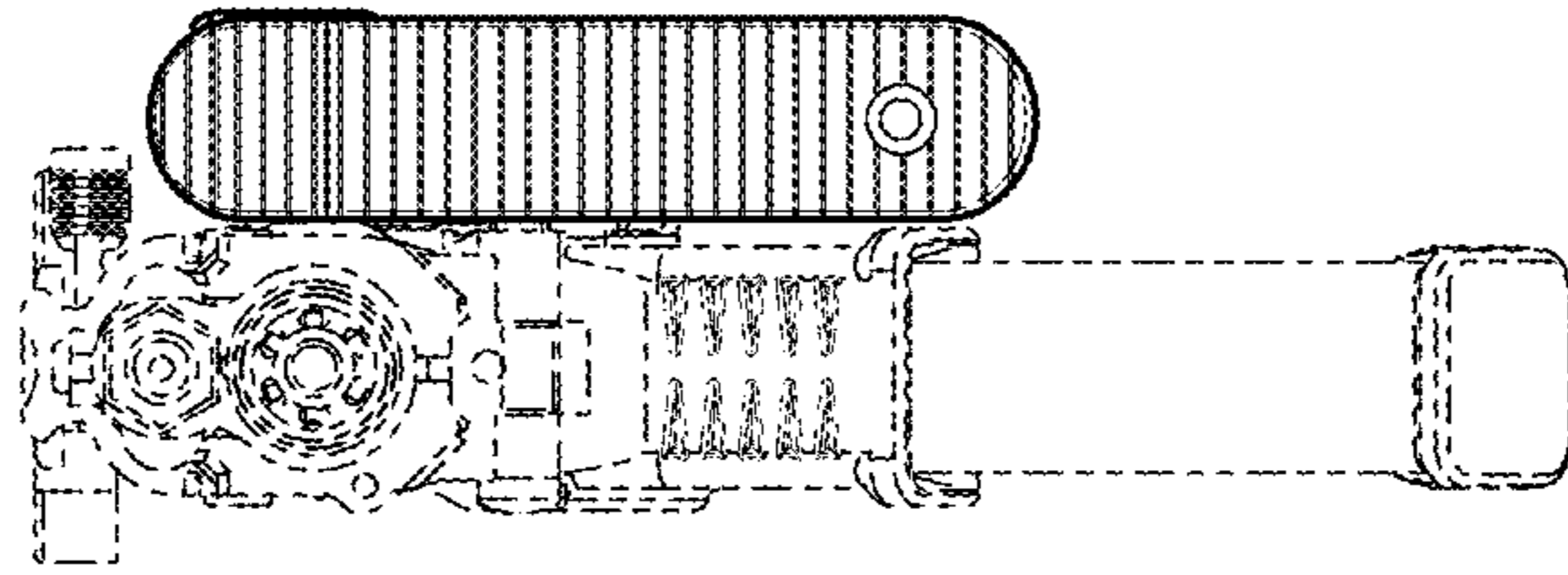


FIG. 18

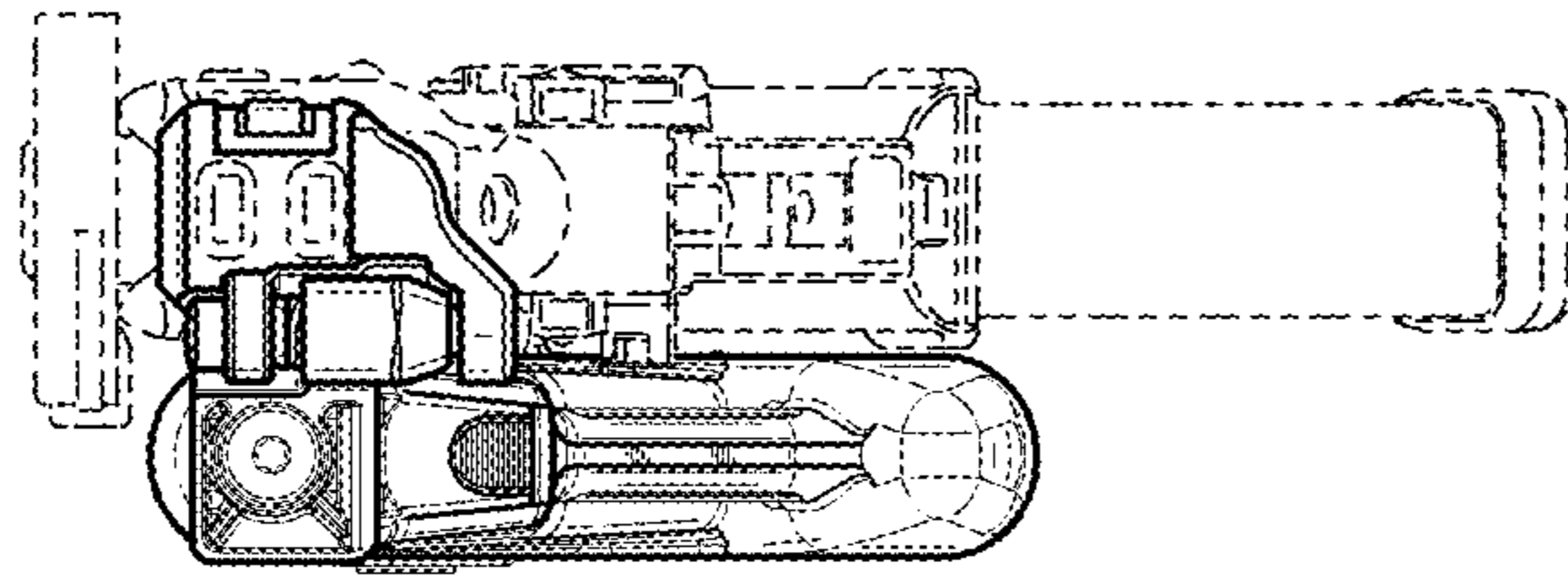


FIG. 17

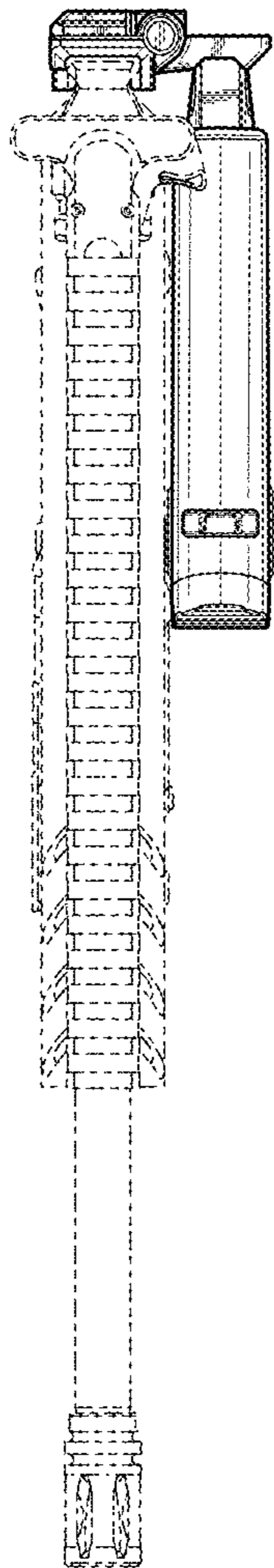


FIG. 19

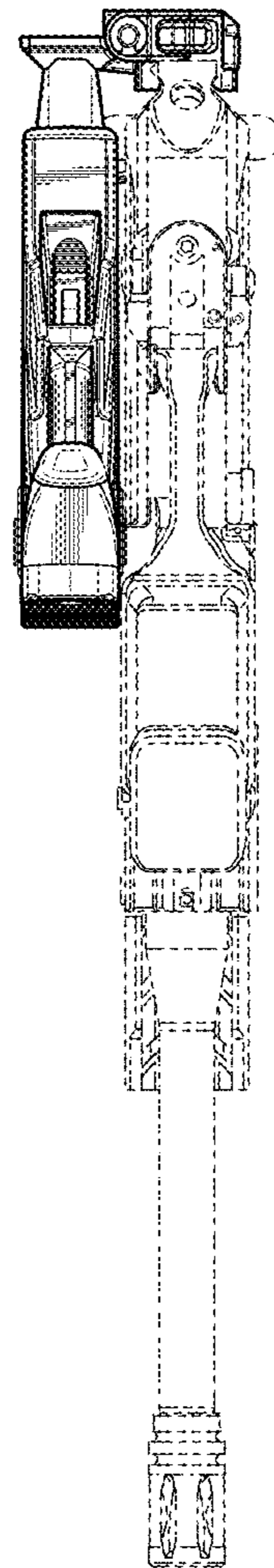


FIG. 20



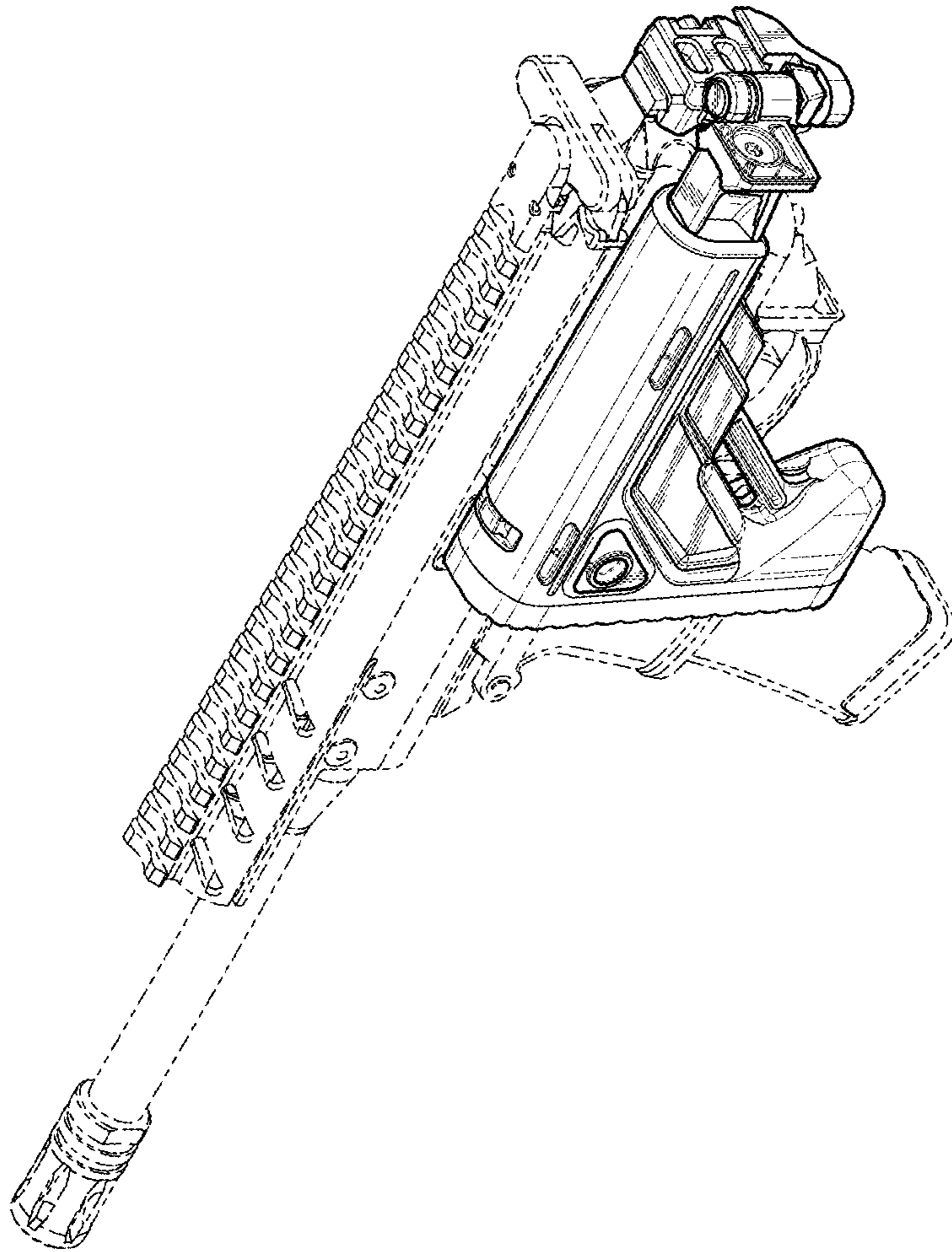


FIG. 21