



US00D773592S

(12) **United States Design Patent** (10) **Patent No.:** **US D773,592 S**
Jones (45) **Date of Patent:** **** Dec. 6, 2016**

(54) **FOLDING STOCK FOR A SUBMACHINE GUN**

(71) Applicant: **Sig Sauer, Inc.**, Newington, NH (US)
(72) Inventor: **James Jones**, Manchester, NH (US)
(73) Assignee: **Sig Sauer, Inc.**, Newington, NH (US)
(**) Term: **15 Years**

(21) Appl. No.: **29/551,739**

(22) Filed: **Jan. 15, 2016**

(51) **LOC (10) Cl.** **22-01**

(52) **U.S. Cl.**
USPC **D22/108**

(58) **Field of Classification Search**
USPC D22/108, 109, 103, 100, 101, 104, 105, D22/110; D21/333, 401, 567, 568, 570-575; D14/418; 124/16, 26, 27, 28, 29, 54, 124/73-77; 222/78, 79; 42/54, 57, 58, 71.01, 42/72, 74, 75.03, 90; 446/23, 182, 192, 401, 446/403, 405-407, 473, 475
CPC F41C 23/00; F41C 23/02; F41C 23/04; F41C 23/06; F41C 23/08; F41C 23/10; F41C 23/12; F41C 23/14; F41C 23/16; F41C 23/18; F41C 23/20; F41C 23/22; F41C 7/02; F41C 7/04; F41C 7/06; F41C 7/11; F41C 7/12; F41C 27/00; F41C 27/06
See application file for complete search history.

(56) **References Cited**

U.S. PATENT DOCUMENTS

2,424,194 A 7/1947 Sampson et al.
2,970,398 A 2/1961 Crouch
3,201,887 A * 8/1965 Sedelow F41C 23/04
42/72
3,369,316 A * 2/1968 Miller F41C 23/04
42/72
3,488,488 A 1/1970 Crouch
3,618,584 A 11/1971 Pigeon

(Continued)

OTHER PUBLICATIONS

Thin Folding Stock, MCX, MPX, 1913 Interface, SIG SAUER, SIG Store, [online], [site visited Sep. 30, 2016]. <URL: http://store.sigsauer.com/thin-folding-stock-mcx-mpx-1913-interface-7856.html>.*

(Continued)

Primary Examiner — T. Chase Nelson

Assistant Examiner — Jonathan J Han

(74) *Attorney, Agent, or Firm* — Finch & Maloney PLLC

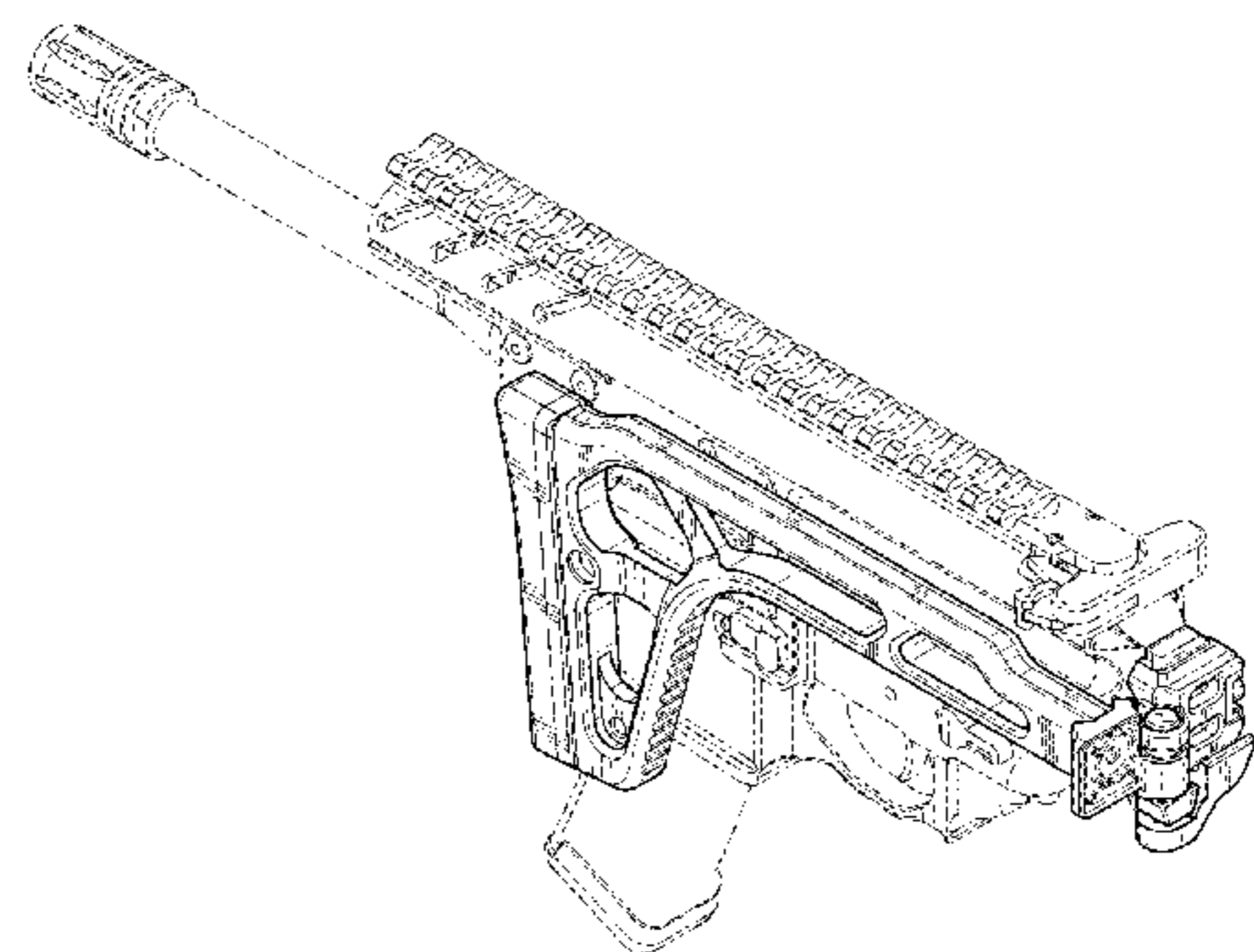
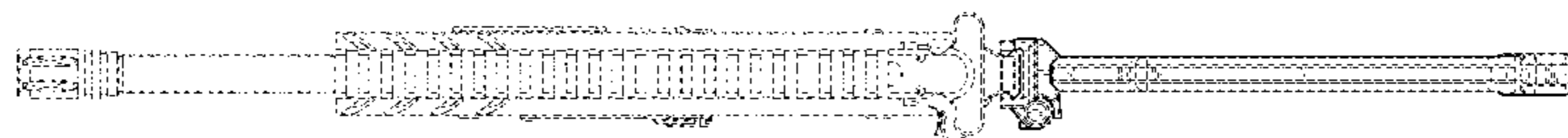
(57) **CLAIM**

The ornamental design for a folding stock for a submachine gun, as shown and described.

DESCRIPTION

FIG. 1 is a left elevation view of a folding stock for a submachine gun showing the design; FIG. 2 is a right elevation view thereof; FIG. 3 is a rear elevation view thereof; FIG. 4 is a front elevation view thereof; FIG. 5 is a top plan view thereof; FIG. 6 is a bottom plan view thereof; FIG. 7 is a rear perspective view thereof; FIG. 8 is a left elevation view thereof, shown in an alternate position; FIG. 9 is a right elevation view thereof, shown in the alternate position; FIG. 10 is a rear elevation view thereof, shown in the alternate position; FIG. 11 is a front elevation view thereof, shown in the alternate position; FIG. 12 is a top plan view thereof, shown in the alternate position; FIG. 13 is a bottom plan view thereof, shown in the alternate position; and, FIG. 14 is a rear perspective view thereof, shown in the alternate position.

(Continued)



Broken lines in the drawings are for the purpose of illustrating environmental structure and form no part of the claimed design.

1 Claim, 10 Drawing Sheets

(56)

References Cited

U.S. PATENT DOCUMENTS

4,512,236 A 4/1985 Thevis et al.
 4,617,749 A 10/1986 Jurek
 4,735,007 A 4/1988 Gal
 5,209,215 A * 5/1993 Morrison F41B 5/12
 124/22
 D344,124 S 2/1994 Cupp
 D410,988 S 6/1999 Hines
 5,983,774 A 11/1999 Mihaita
 6,839,998 B1 1/2005 Armstrong
 D510,401 S 10/2005 Murello et al.
 7,418,797 B1 * 9/2008 Crose F41C 23/14
 42/71.01
 D600,310 S 9/2009 Fitzpatrick et al.
 D606,155 S 12/2009 Swan
 D606,156 S 12/2009 Swan
 D622,802 S * 8/2010 Fitzpatrick D22/103
 7,798,045 B1 * 9/2010 Fitzpatrick F41A 21/481
 42/69.02
 7,827,722 B1 * 11/2010 Davies F41A 3/94
 42/71.01
 D636,044 S 4/2011 Larson et al.
 D636,048 S 4/2011 Larson et al.
 7,966,761 B1 * 6/2011 Kuczynko F41C 23/04
 42/73
 D641,062 S * 7/2011 Faifer D22/103
 8,061,072 B1 11/2011 Crose
 8,109,026 B1 * 2/2012 Bentley F41C 23/04
 42/73
 8,151,504 B1 4/2012 Aiston
 8,245,429 B2 8/2012 Kuczynko et al.
 D671,184 S 11/2012 Larson et al.
 D674,859 S 1/2013 Robbins et al.
 8,443,538 B1 5/2013 Moody
 8,448,366 B2 * 5/2013 Faifer F41C 23/04
 42/71.01
 8,522,467 B1 9/2013 Christensen et al.
 D692,084 S * 10/2013 Eberle D22/103
 D692,517 S 10/2013 Faifer
 D696,374 S * 12/2013 Faifer D22/104
 8,631,601 B2 * 1/2014 Langevin F41C 23/04
 42/73
 8,667,882 B1 3/2014 Larson et al.

D702,792 S * 4/2014 Burt D22/103
 8,726,558 B1 5/2014 Nason
 8,769,855 B2 7/2014 Law
 D714,413 S 9/2014 Kerbrat et al.
 8,844,185 B2 9/2014 Jarboe
 D716,403 S 10/2014 Burt et al.
 D724,688 S 3/2015 Hirt et al.
 D725,213 S 3/2015 Hirt et al.
 D725,219 S 3/2015 Hirt et al.
 D725,220 S 3/2015 Hirt et al.
 D731,023 S 6/2015 Hirt et al.
 D733,223 S * 6/2015 Chu D21/573
 D744,056 S * 11/2015 Jammet D22/108
 9,297,609 B2 * 3/2016 Burt F41C 23/16
 9,453,701 B2 * 9/2016 Simek F41C 23/14
 2005/0108915 A1 * 5/2005 Kincel F41C 23/22
 42/71.01
 2006/0242880 A1 * 11/2006 Griffin F41C 23/04
 42/73
 2008/0028662 A1 * 2/2008 Abraham F41C 23/14
 42/73
 2009/0282718 A1 11/2009 Bartley
 2010/0186276 A1 7/2010 Herring
 2011/0283581 A1 11/2011 Freed
 2012/0017482 A1 1/2012 Chvala
 2012/0180354 A1 7/2012 Sullivan et al.
 2013/0125442 A1 5/2013 Burrell, Jr.
 2014/0033590 A1 2/2014 Gomez
 2014/0075816 A1 3/2014 Larson et al.
 2014/0196346 A1 7/2014 Grimshaw et al.
 2014/0260946 A1 9/2014 Gomez
 2016/0084612 A1 * 3/2016 Robinson F41C 23/04
 42/73

OTHER PUBLICATIONS

SIG SAUER MPX (Update: Exclusive Non-NFA version P7), SIGforum, Found a picture with the folding stock, doesn't look half bad., posted by Andyb, posted Nov. 1, 2015 07:43 AM, [online], [site visited Sep. 30, 2016]. <URL: <http://sigforum.com/eve/forums/a/tpc/f/320601935/m/4610068653/p/55>>.*
 WTS: Sig Sauer MCX/MPX Side Folding Stock, AR15.com, posted by thanatos8541, posted Nov. 3, 2015 8:07:01 PM EDT, [online], [site visited Sep. 30, 2016]. <URL: <https://www.ar15.com/archive/topic.html?b=7&f=47&t=1485416>>.*
 For Sale: Sig MPX folding stock, Armslist.com, registered on Sep. 21, 2015, [online], [site visited Sep. 30, 2016]. <URL: <http://www.armslist.com/posts/4879553/st-louis-missouri-gun-parts-for-sale--sig-mpx-folding-stock>>.*
 MDM—SIG SAUER, Soldier Systems, entry posted Wednesday, Sep. 23, 2015 at 20:05, [online], [site visited Sep. 30, 2016]. <URL: <http://soldiersystems.net/2015/09/23/mdm-sig-sauer>>.*

* cited by examiner

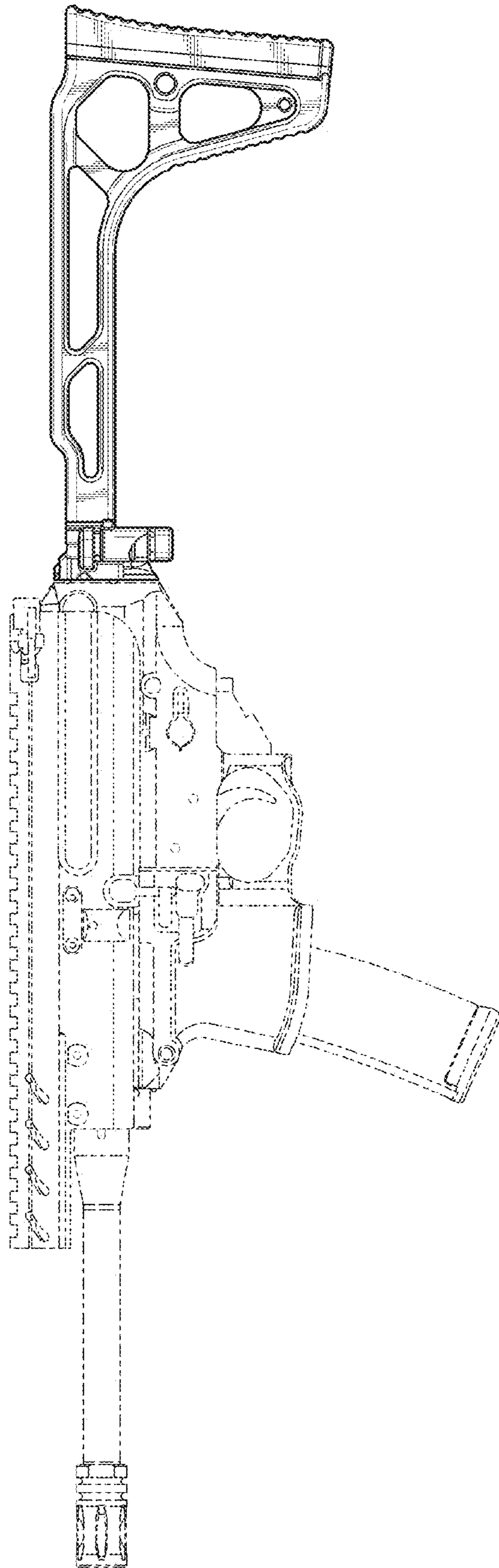


FIG. 1

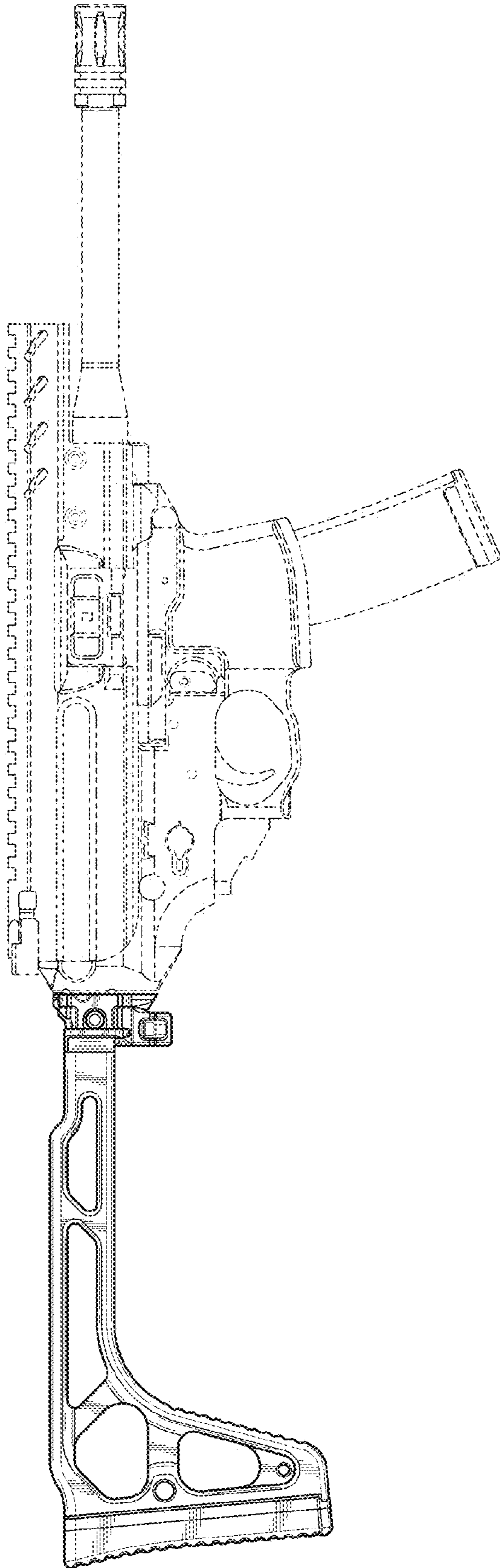


FIG. 2

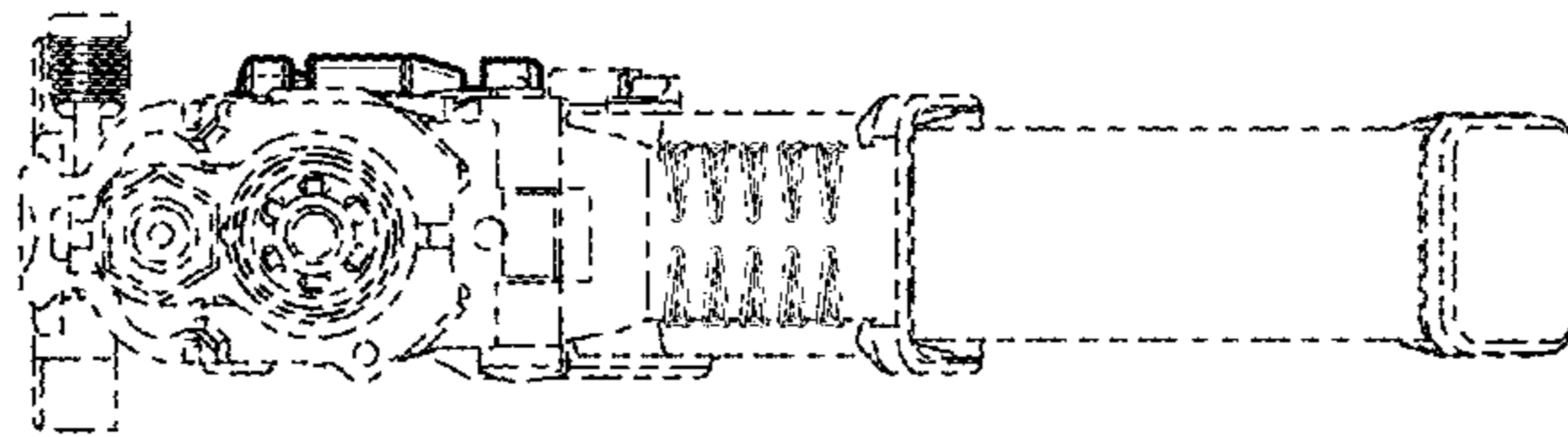


FIG. 4

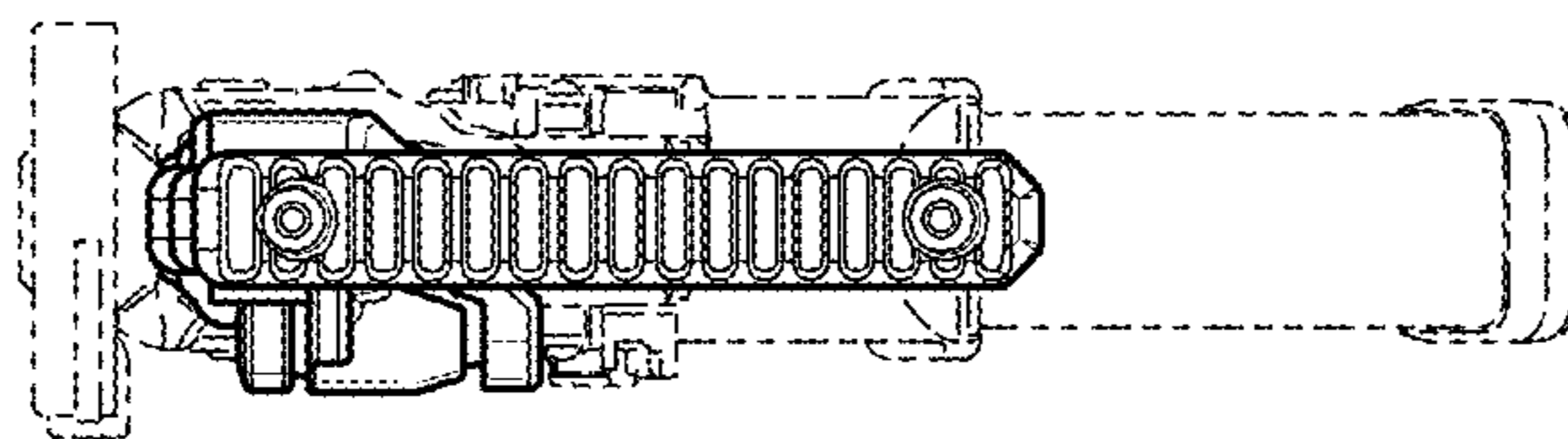


FIG. 3

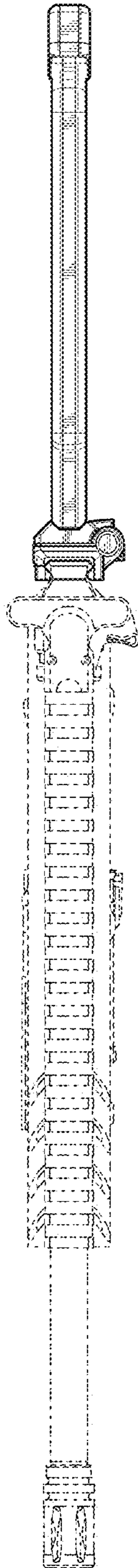


FIG. 5

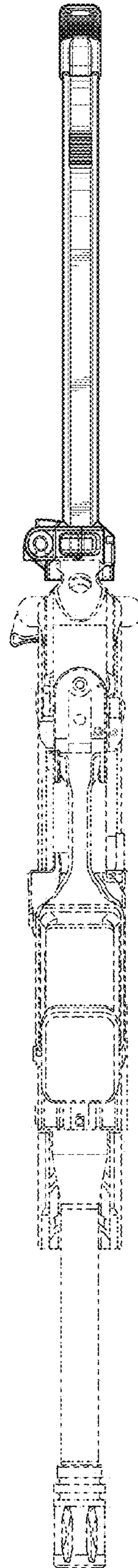


FIG. 6

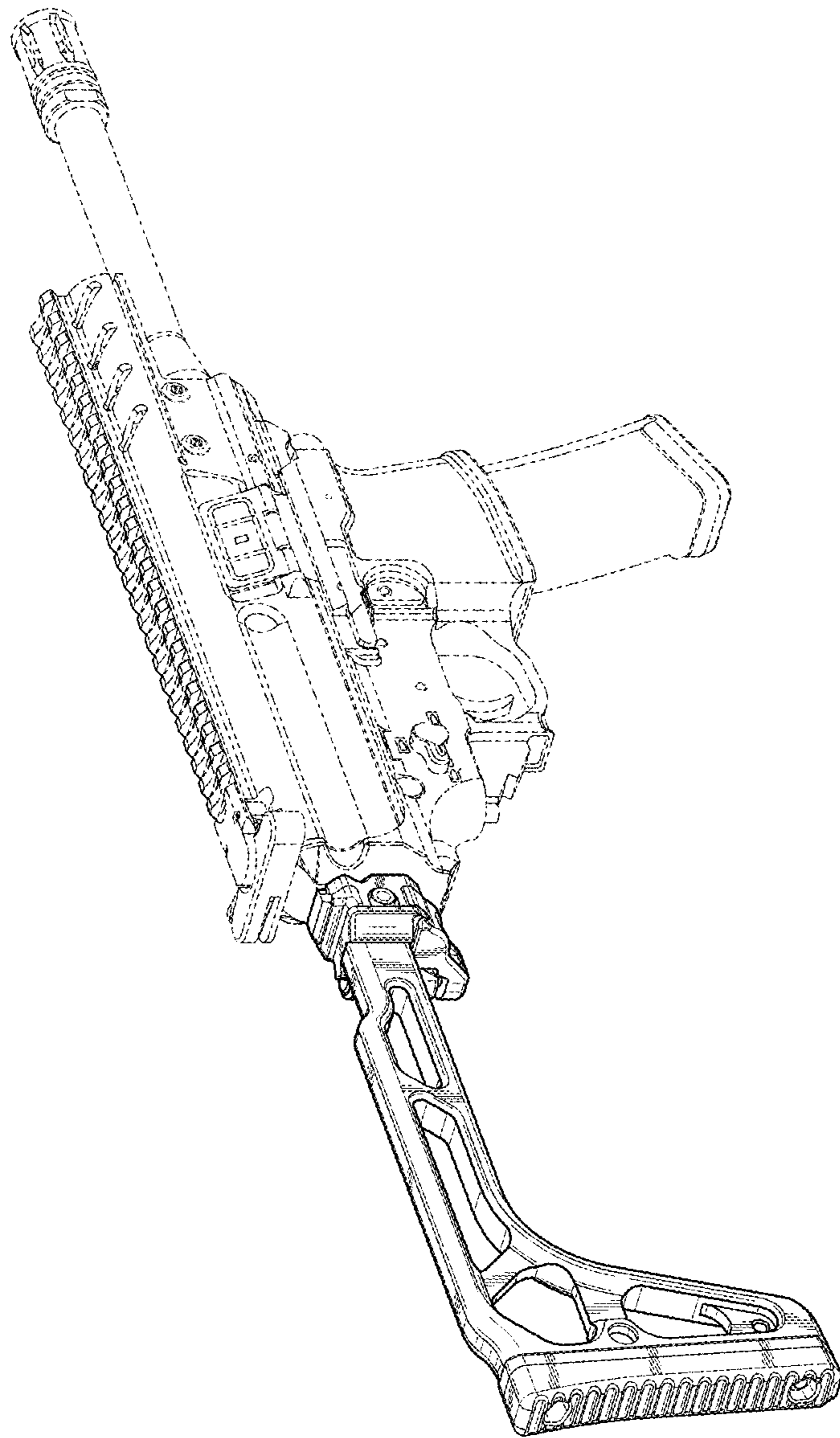


FIG. 7

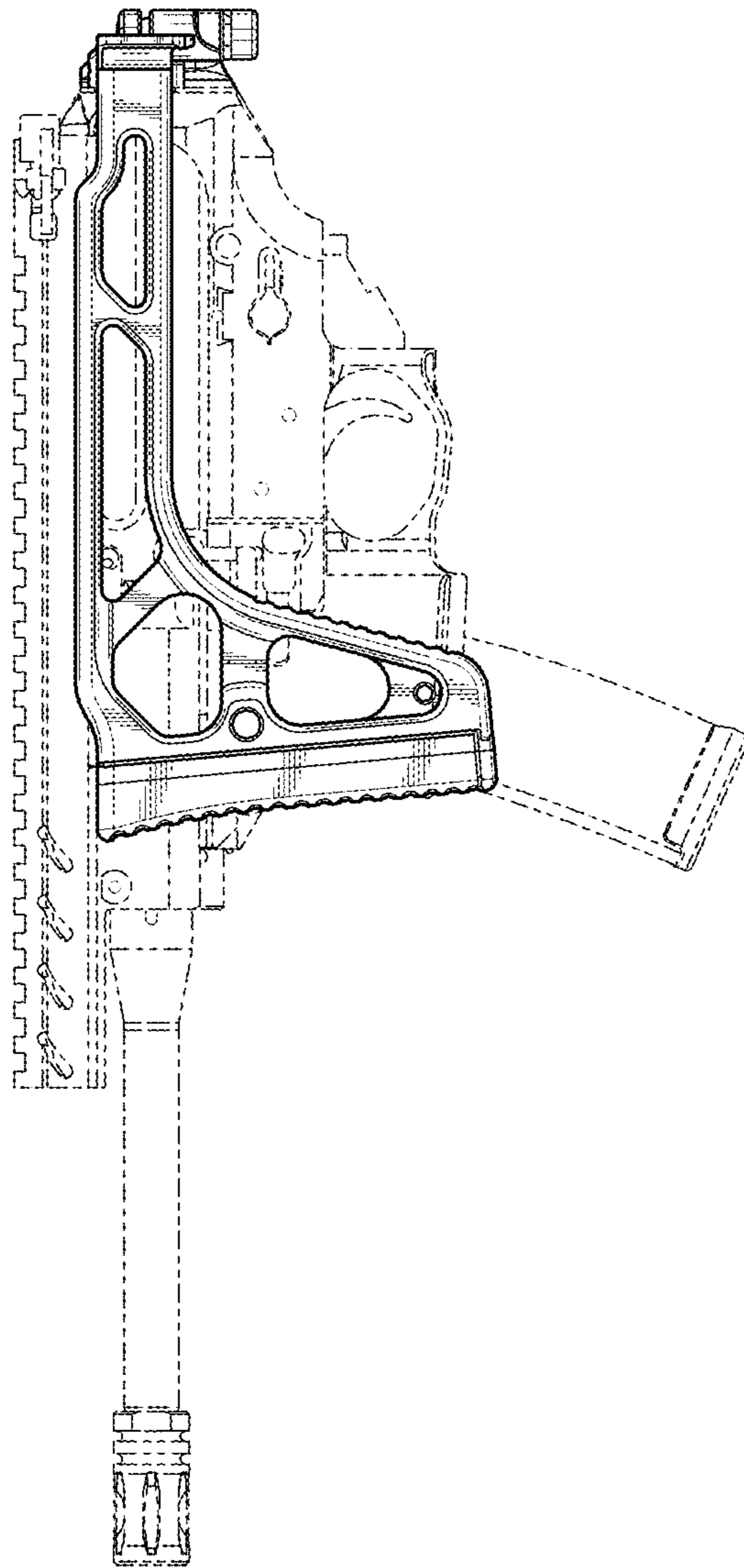


FIG. 8

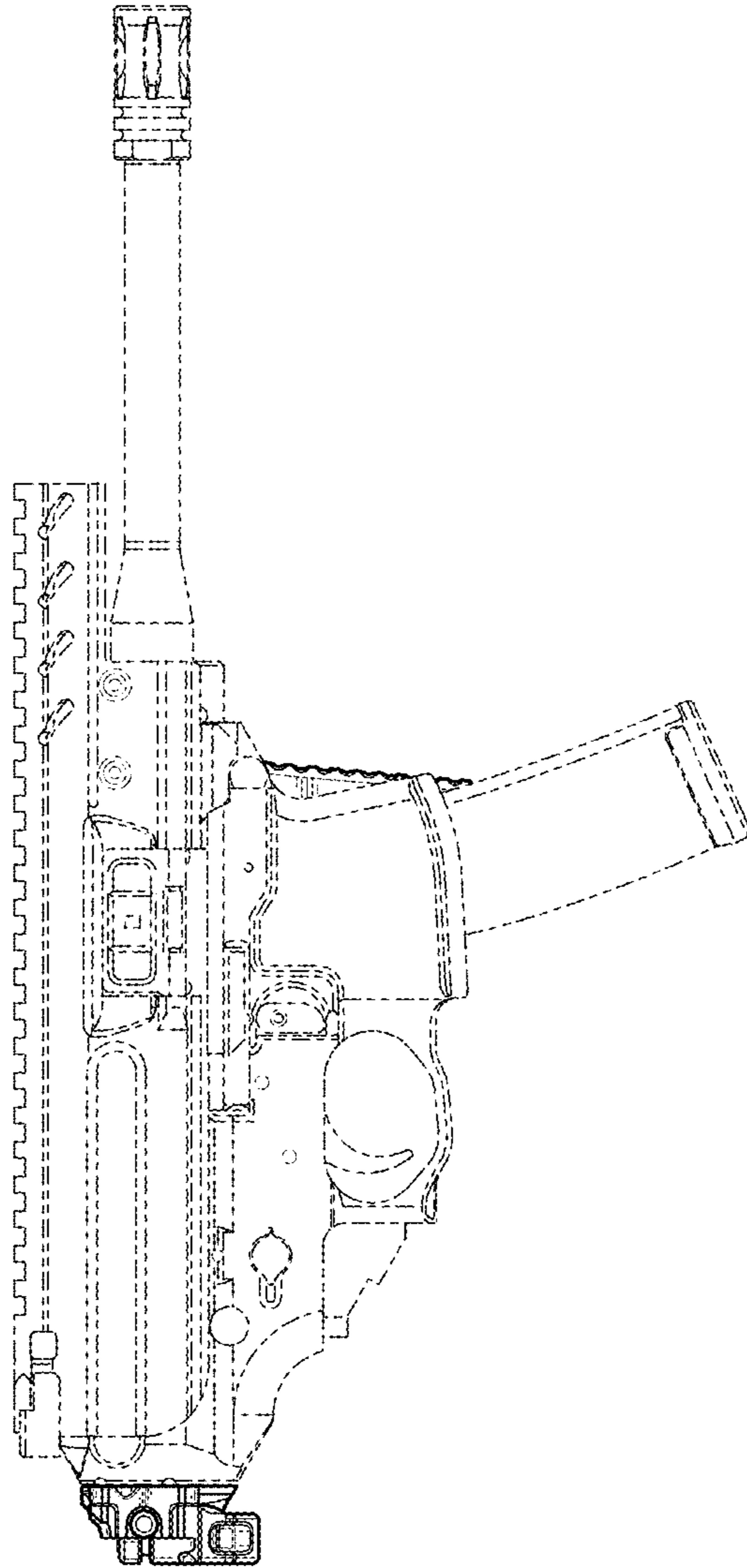


FIG. 9

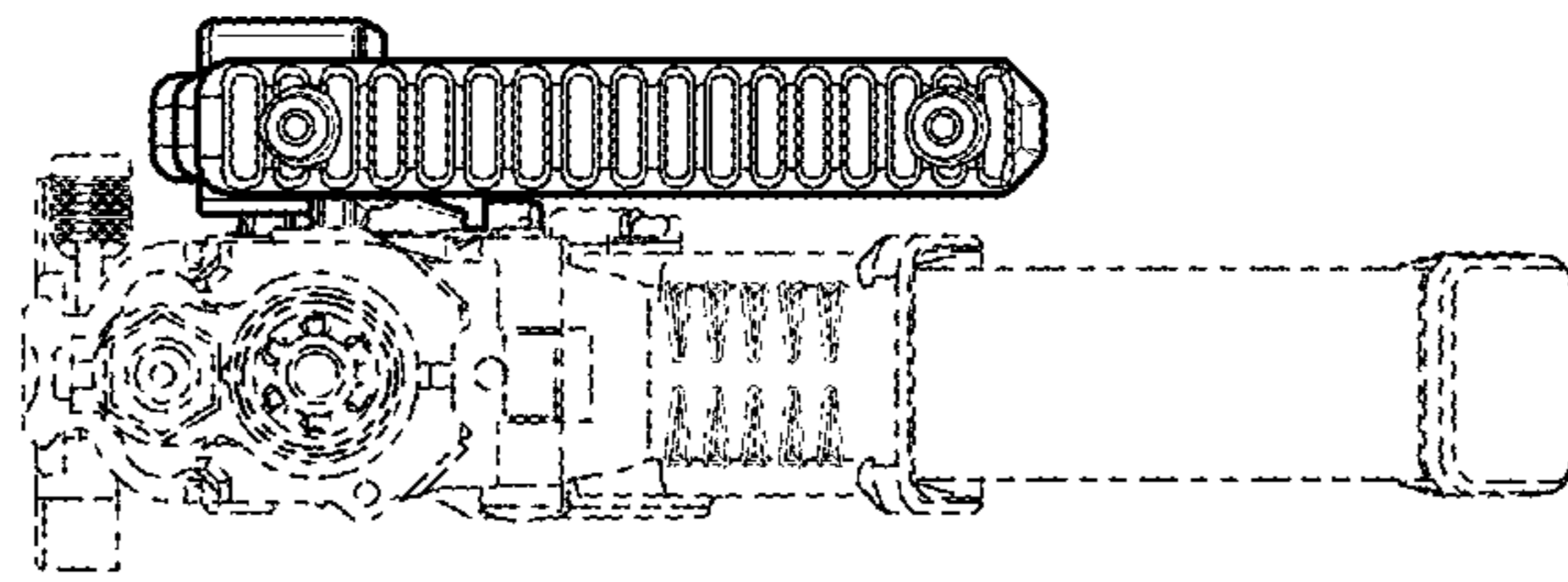


FIG. 11

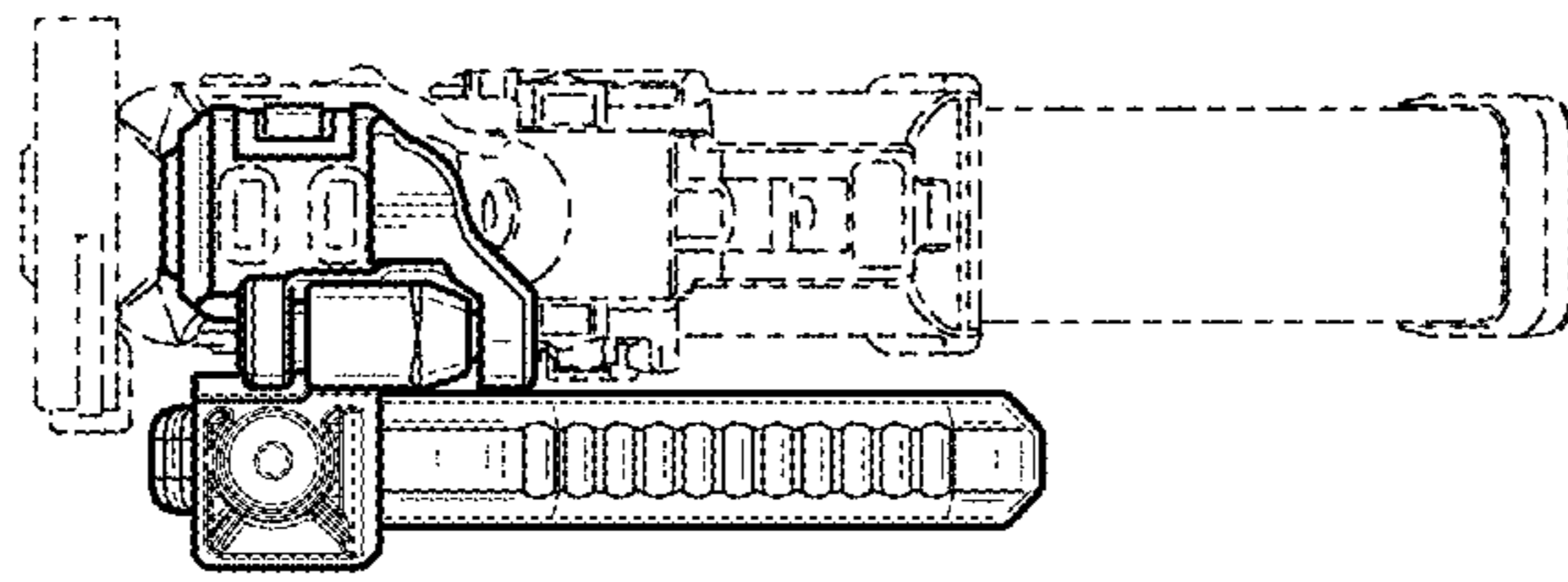


FIG. 10

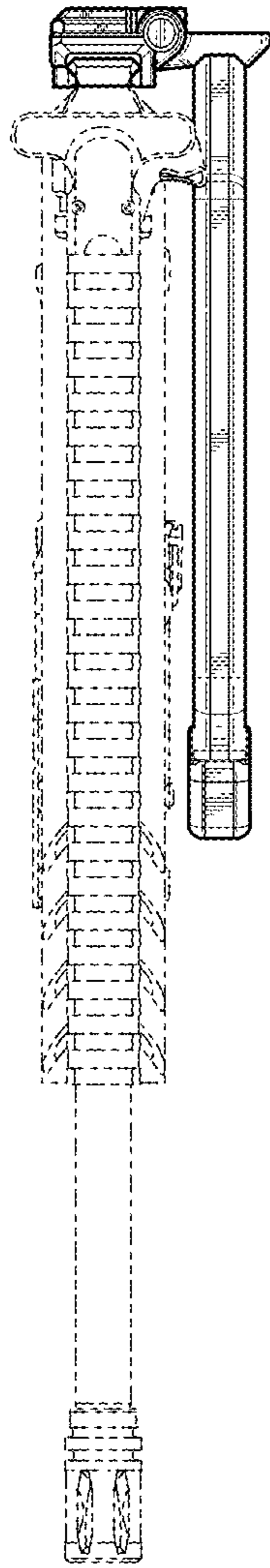


FIG. 12

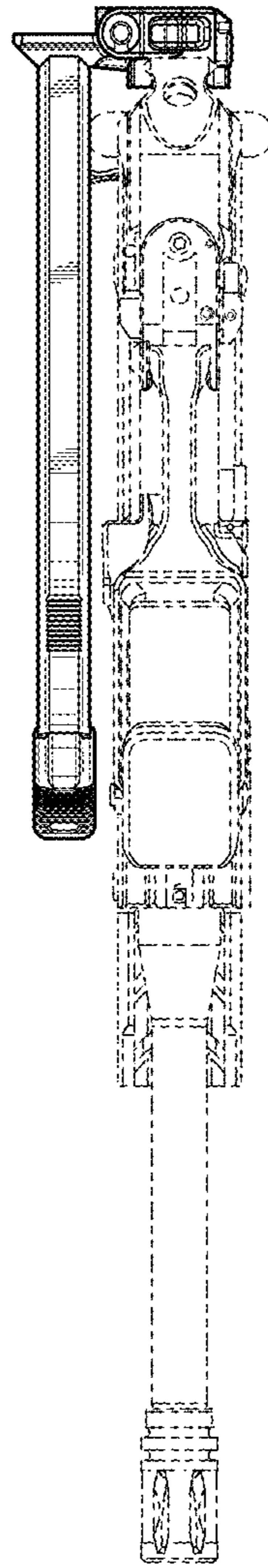


FIG. 13

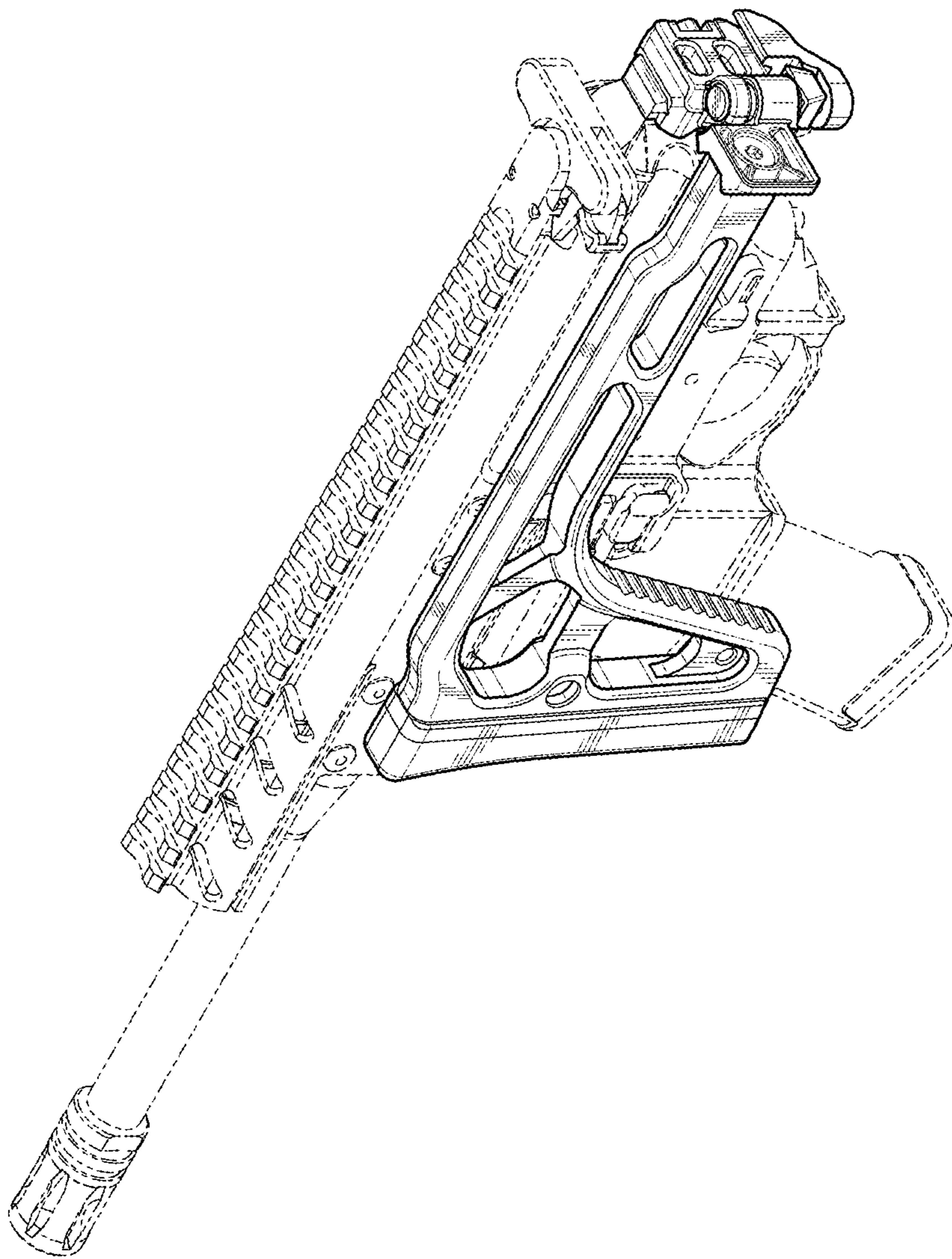


FIG. 14