



US00D773591S

(12) **United States Design Patent**  
**Morenz**

(10) **Patent No.:** **US D773,591 S**

(45) **Date of Patent:** **\*\* Dec. 6, 2016**

(54) **STOCK FOR A SUBMACHINE GUN**

(71) Applicant: **Sig Sauer, Inc.**, Newington, NH (US)

(72) Inventor: **Luke Morenz**, Swanzey, NH (US)

(73) Assignee: **Sig Sauer, Inc.**, Newington, NH (US)

(\*\*) Term: **15 Years**

(21) Appl. No.: **29/551,737**

(22) Filed: **Jan. 15, 2016**

(51) **LOC (10) Cl.** ..... **22-01**

(52) **U.S. Cl.**  
USPC ..... **D22/108**

(58) **Field of Classification Search**

USPC ..... D22/108, 109, 103, 100, 101, 104,  
105,D22/110; D21/333, 401, 567, 568,  
570-575; D14/418; 124/16, 26, 27, 28,  
29, 54, 124/73-77; 222/78, 79; 42/54, 57,  
58, 71.01, 42/72, 74, 75.3, 90; 446/23,  
182, 192, 401, 446/403, 405-407, 473,  
475  
CPC ..... F41C 23/00; F41C 23/02; F41C 23/04;  
F41C 23/06; F41C 23/08; F41C  
23/10; F41C 23/12; F41C 23/14; F41C  
23/16; F41C 23/18; F41C 23/20; F41C  
23/22

See application file for complete search history.

(56) **References Cited**

**U.S. PATENT DOCUMENTS**

2,424,194	A	7/1947	Sampson et al.	
2,970,398	A	2/1961	Crouch	
3,201,887	A *	8/1965	Sedelow	..... F41C 23/04 42/72
3,369,316	A *	2/1968	Miller	..... F41C 23/04 42/72
3,488,488	A	1/1970	Crouch	
3,618,584	A	11/1971	Pigeon	
4,512,236	A	4/1985	Thevis et al.	
4,617,749	A	10/1986	Jurek	

(Continued)

**OTHER PUBLICATIONS**

Collapsing/Telescoping Stock—MCX/MPX, SIG Sauer, SIG Store, [online], [site visited Sep. 30, 2016]. <URL: <http://store.sigsauer.com/collapsing-telescoping-stock-mcx-mpx.html>>.\*

(Continued)

*Primary Examiner* — T. Chase Nelson

*Assistant Examiner* — Jonathan J Han

(74) *Attorney, Agent, or Firm* — Finch & Maloney PLLC

(57) **CLAIM**

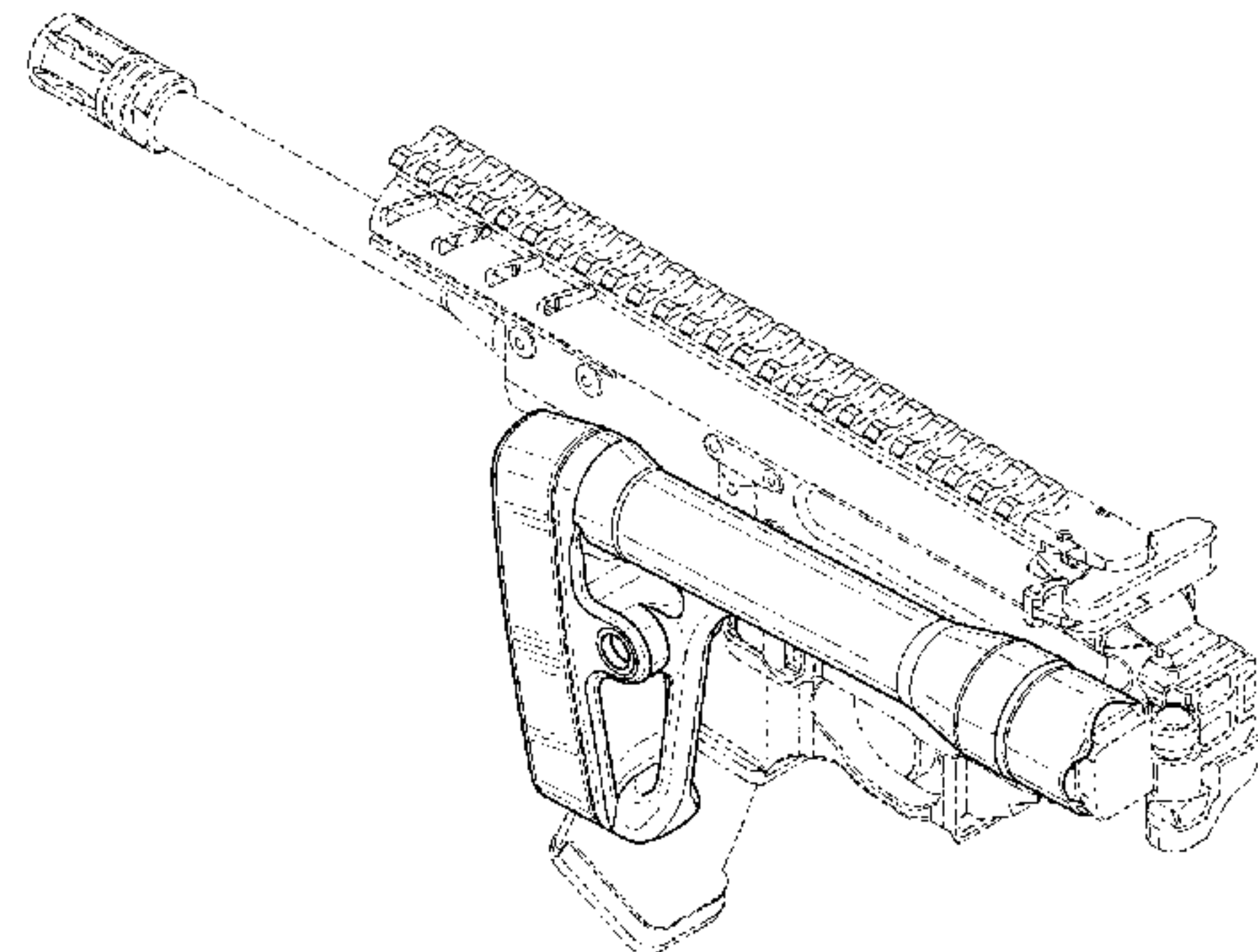
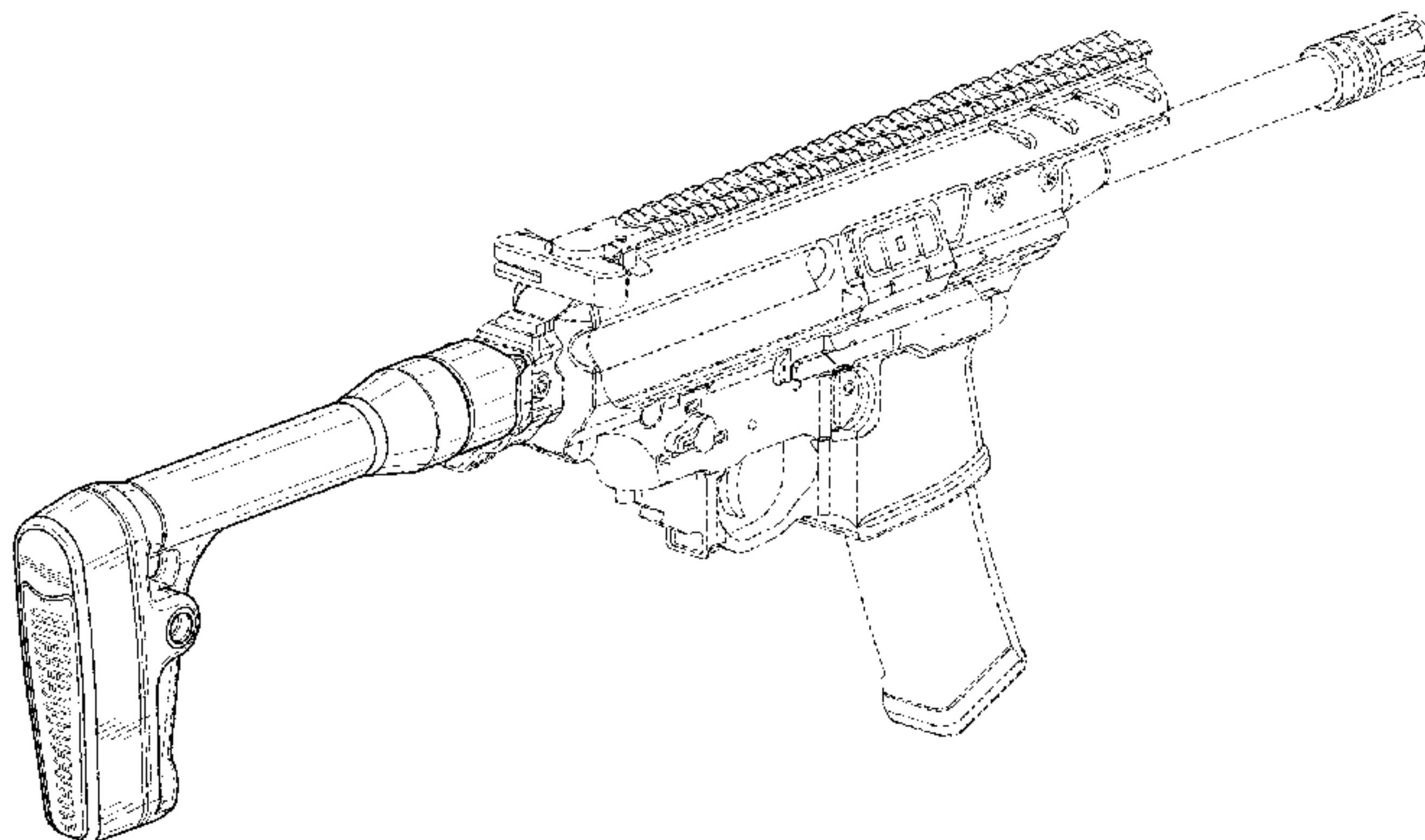
The ornamental design for a stock for a submachine gun, as shown and described.

**DESCRIPTION**

FIG. 1 is a left elevation view of a stock for a submachine gun showing the design;  
FIG. 2 is a right elevation view thereof;  
FIG. 3 is a rear elevation view thereof;  
FIG. 4 is a top plan view thereof;  
FIG. 5 is a bottom plan view thereof;  
FIG. 6 is a rear perspective view thereof;  
FIG. 7 is a left elevation view thereof, shown in an alternate position;  
FIG. 8 is a right elevation view thereof, shown in the alternate position;  
FIG. 9 is a rear elevation view thereof, shown in the alternate position;  
FIG. 10 is a front elevation view thereof, shown in the alternate position;  
FIG. 11 is a top plan view thereof, shown in the alternate position;  
FIG. 12 is a bottom plan view thereof, shown in the alternate position; and,  
FIG. 13 is a rear perspective view thereof, shown in the alternate position.

A front elevation view has been omitted from the first illustrated position as it does not form a portion of the

(Continued)



claimed invention. Broken lines in the drawings are for the purpose of illustrating environmental structure and form no part of the claimed design.

**1 Claim, 10 Drawing Sheets**

(56)

**References Cited**

U.S. PATENT DOCUMENTS

4,735,007 A 4/1988 Gal  
 5,209,215 A \* 5/1993 Morrison ..... F41B 5/12  
 124/22  
 D344,124 S 2/1994 Cupp  
 D410,988 S 6/1999 Hines  
 5,983,774 A 11/1999 Mihaita  
 6,839,998 B1 1/2005 Armstrong  
 D510,401 S 10/2005 Murello et al.  
 7,418,797 B1 \* 9/2008 Crose ..... F41C 23/14  
 42/71.01  
 D600,310 S 9/2009 Fitzpatrick et al.  
 D606,155 S 12/2009 Swan  
 D606,156 S 12/2009 Swan  
 D622,802 S \* 8/2010 Fitzpatrick ..... D22/103  
 7,798,045 B1 \* 9/2010 Fitzpatrick ..... F41A 21/481  
 42/69.02  
 7,827,722 B1 \* 11/2010 Davies ..... F41A 3/94  
 42/71.01  
 D636,044 S 4/2011 Larson et al.  
 D636,048 S 4/2011 Larson et al.  
 7,966,761 B1 \* 6/2011 Kuczynko ..... F41C 23/04  
 42/73  
 D641,062 S \* 7/2011 Faifer ..... D22/103  
 8,061,072 B1 11/2011 Crose  
 8,109,026 B1 \* 2/2012 Bentley ..... F41C 23/04  
 42/73  
 8,151,504 B1 4/2012 Aiston  
 8,245,429 B2 8/2012 Kuczynko et al.  
 D671,184 S 11/2012 Larson et al.  
 D674,859 S 1/2013 Robbins et al.  
 8,443,538 B1 5/2013 Moody  
 8,448,366 B2 \* 5/2013 Faifer ..... F41C 23/04  
 42/71.01  
 8,522,467 B1 9/2013 Christensen et al.  
 D692,084 S \* 10/2013 Eberle ..... D22/103  
 D692,517 S 10/2013 Faifer  
 D696,374 S \* 12/2013 Faifer ..... D22/104  
 8,631,601 B2 \* 1/2014 Langevin ..... F41C 23/04  
 42/73  
 8,667,882 B1 3/2014 Larson et al.

D702,792 S \* 4/2014 Burt ..... D22/103  
 8,726,558 B1 5/2014 Nason  
 8,769,855 B2 7/2014 Law  
 D714,413 S 9/2014 Kerbrat et al.  
 8,844,185 B2 9/2014 Jarboe  
 D716,403 S 10/2014 Burt et al.  
 D724,688 S 3/2015 Hirt et al.  
 D725,213 S 3/2015 Hirt et al.  
 D725,219 S 3/2015 Hirt et al.  
 D725,220 S 3/2015 Hirt et al.  
 D731,023 S 6/2015 Hirt et al.  
 D733,223 S \* 6/2015 Chu ..... D21/573  
 D744,056 S \* 11/2015 Jammet ..... D22/108  
 9,297,609 B2 \* 3/2016 Burt ..... F41C 23/16  
 9,453,701 B2 \* 9/2016 Simek ..... F41C 23/14  
 2005/0108915 A1 \* 5/2005 Kincel ..... F41C 23/22  
 42/71.01  
 2006/0242880 A1 \* 11/2006 Griffin ..... F41C 23/04  
 42/73  
 2008/0028662 A1 \* 2/2008 Abraham ..... F41C 23/14  
 42/73  
 2009/0282718 A1 11/2009 Bartley  
 2010/0186276 A1 7/2010 Herring  
 2011/0283581 A1 11/2011 Freed  
 2012/0017482 A1 1/2012 Chvala  
 2012/0180354 A1 7/2012 Sullivan et al.  
 2013/0125442 A1 5/2013 Burrell, Jr.  
 2014/0033590 A1 2/2014 Gomez  
 2014/0075816 A1 3/2014 Larson et al.  
 2014/0196346 A1 7/2014 Grimshaw et al.  
 2014/0260946 A1 9/2014 Gomez  
 2016/0084612 A1 \* 3/2016 Robinson ..... F41C 23/04  
 42/73

OTHER PUBLICATIONS

Does any know if they plan to produce this version?, SIGforum.com, posted by bhead, posted Jan. 2, 2016 03:08 PM, [online], [site visited Sep. 30, 2016]. <URL: <http://sigforum.com/eve/forums/a/tpc/f/320601935/m/4610068653/p/87>>.\*  
 Are these the new SIG 556 rifles for 2014?, Guns.com, by Max Slowik, posted Jan. 8, 2014, [online], [site visited Sep. 30, 2016]. <URL: <http://www.guns.com/2014/01/08/new-sig-556-rifles-2014/>>.\*  
 SIG Sauer X-Collapsible Stock for MCX MPX, Rainier Arms, [online], [site visited Sep. 30, 2016]. <URL: <https://www.rainierarms.com/sig-sauer-x-collapsible-stock-for-mcx-mpx>>.\*  
 Stock, Folding, MPX, 1913 Interface, [online], [site visited Sep. 30, 2016]. <URL: <https://www.bullzie.com/product/stock-folding-mpx-1913-interface/>>.\*

\* cited by examiner



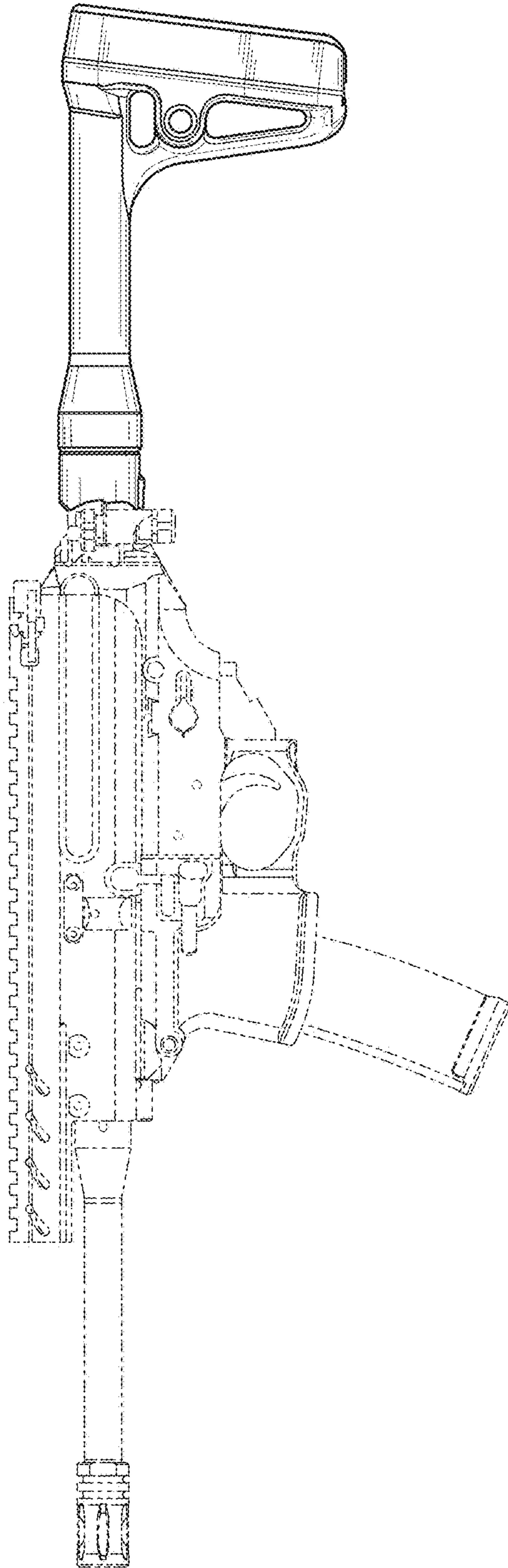


FIG. 1

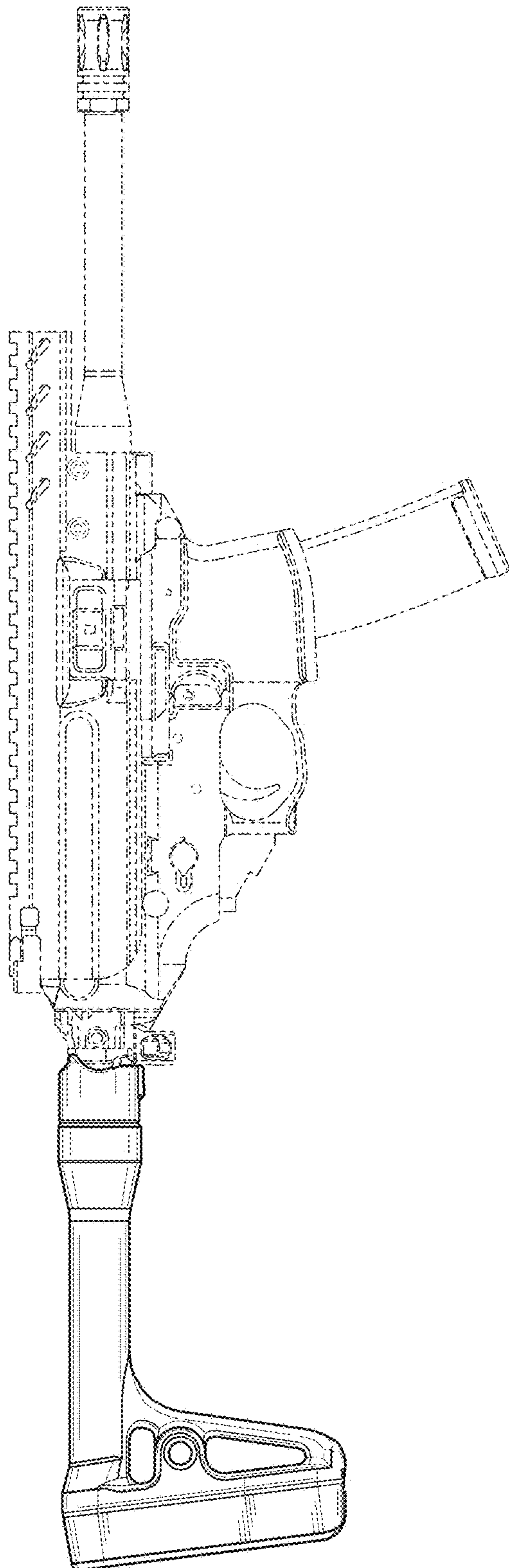


FIG. 2

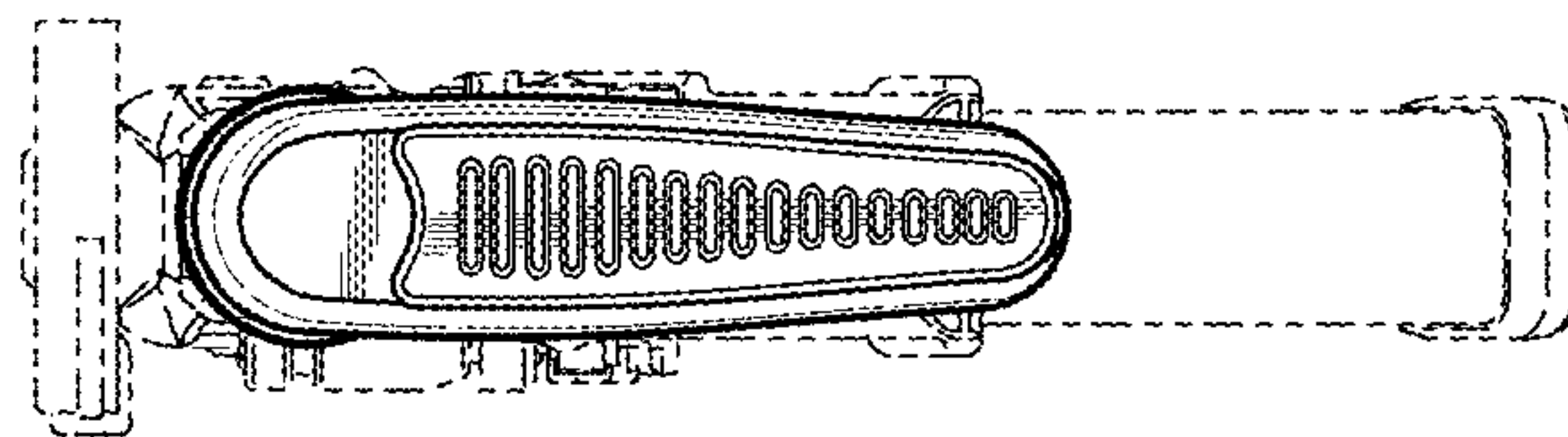


FIG. 3

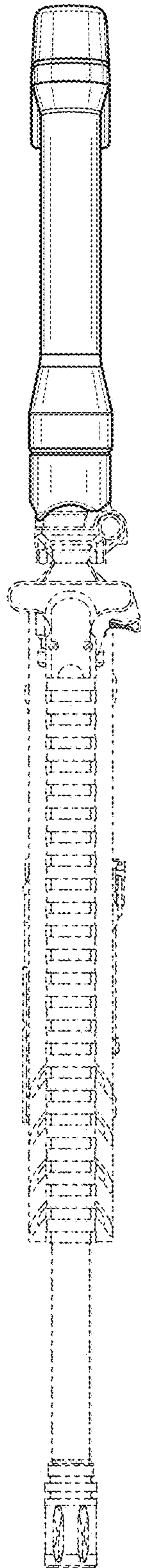


FIG. 4

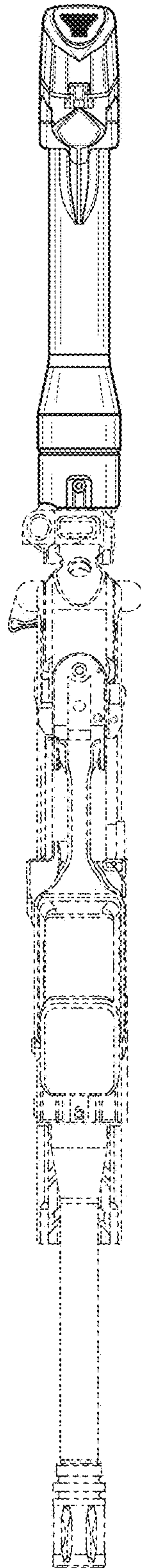


FIG. 5

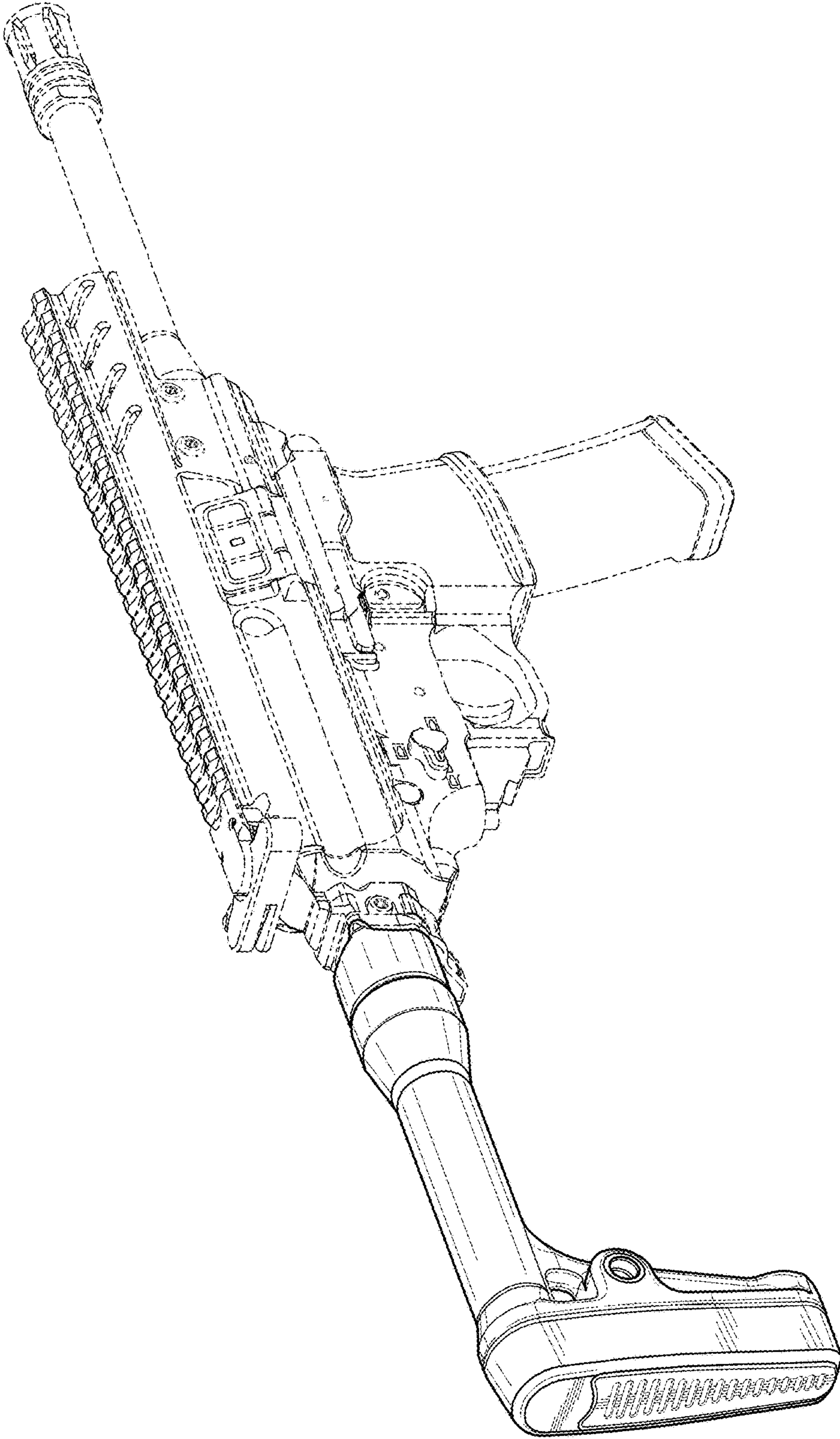


FIG. 6



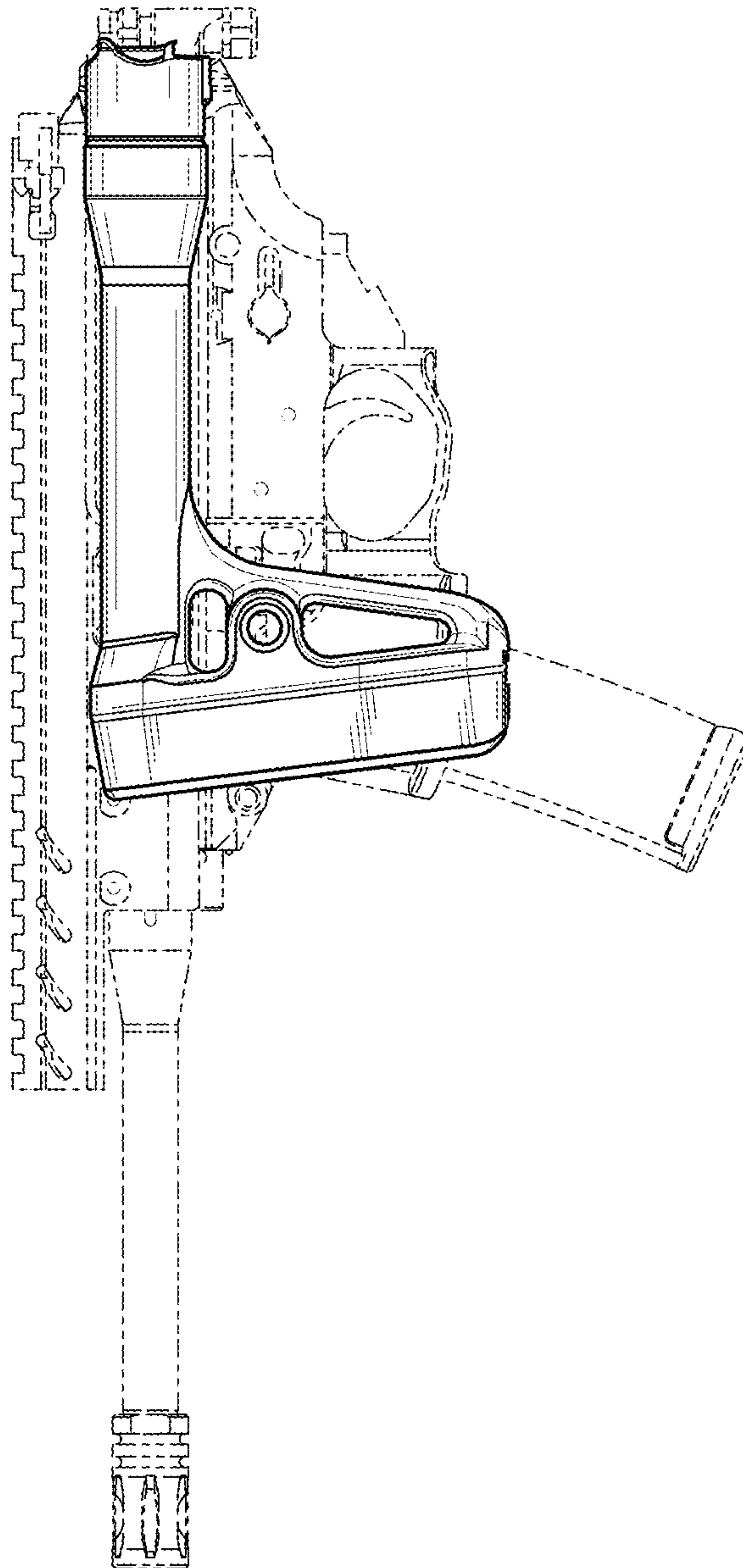


FIG. 7



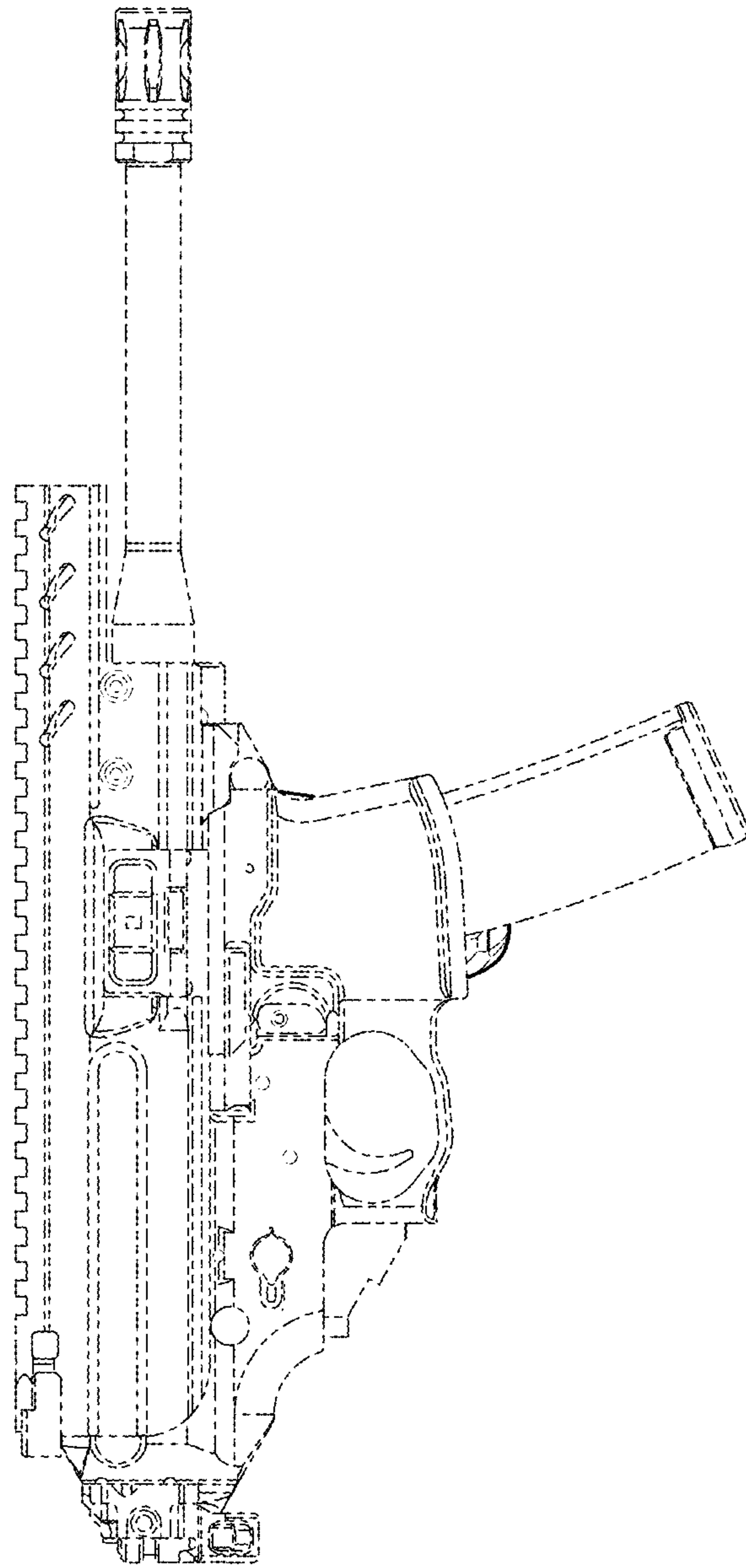


FIG. 8

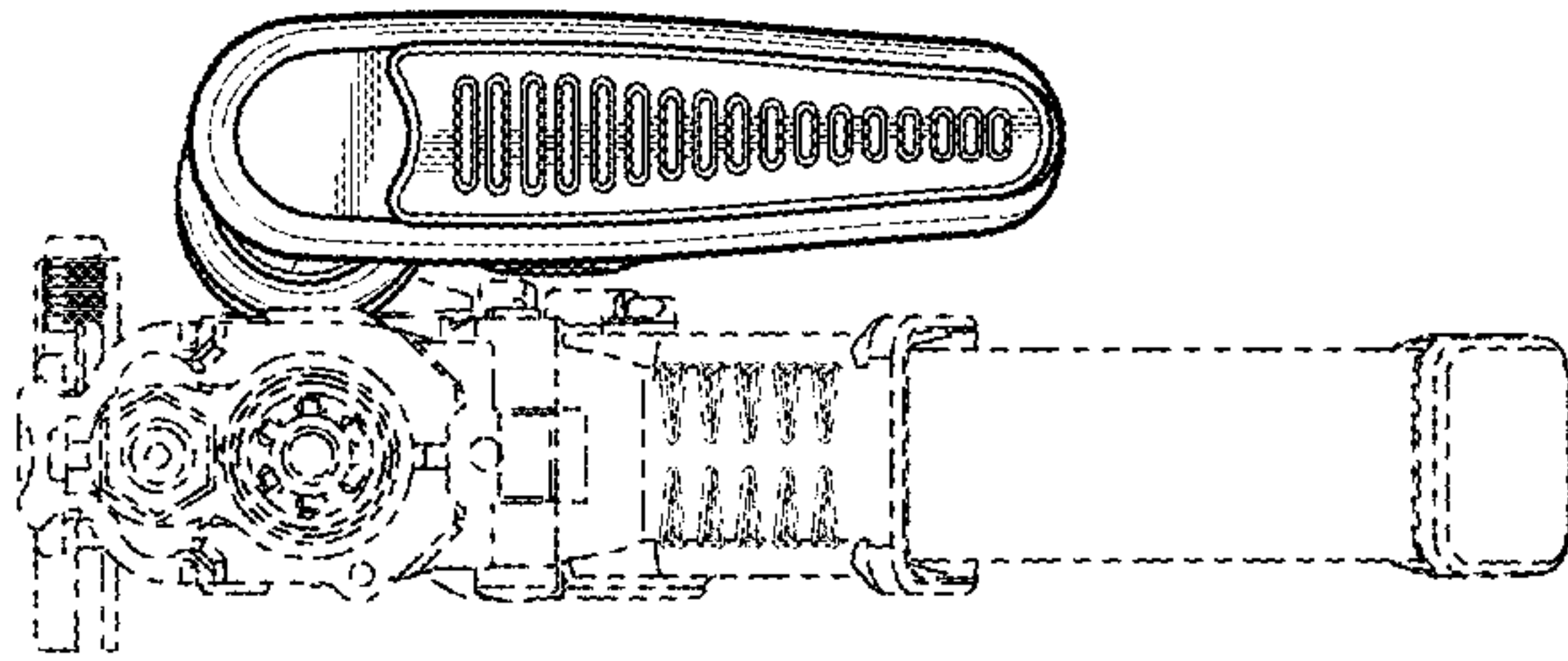


FIG. 10

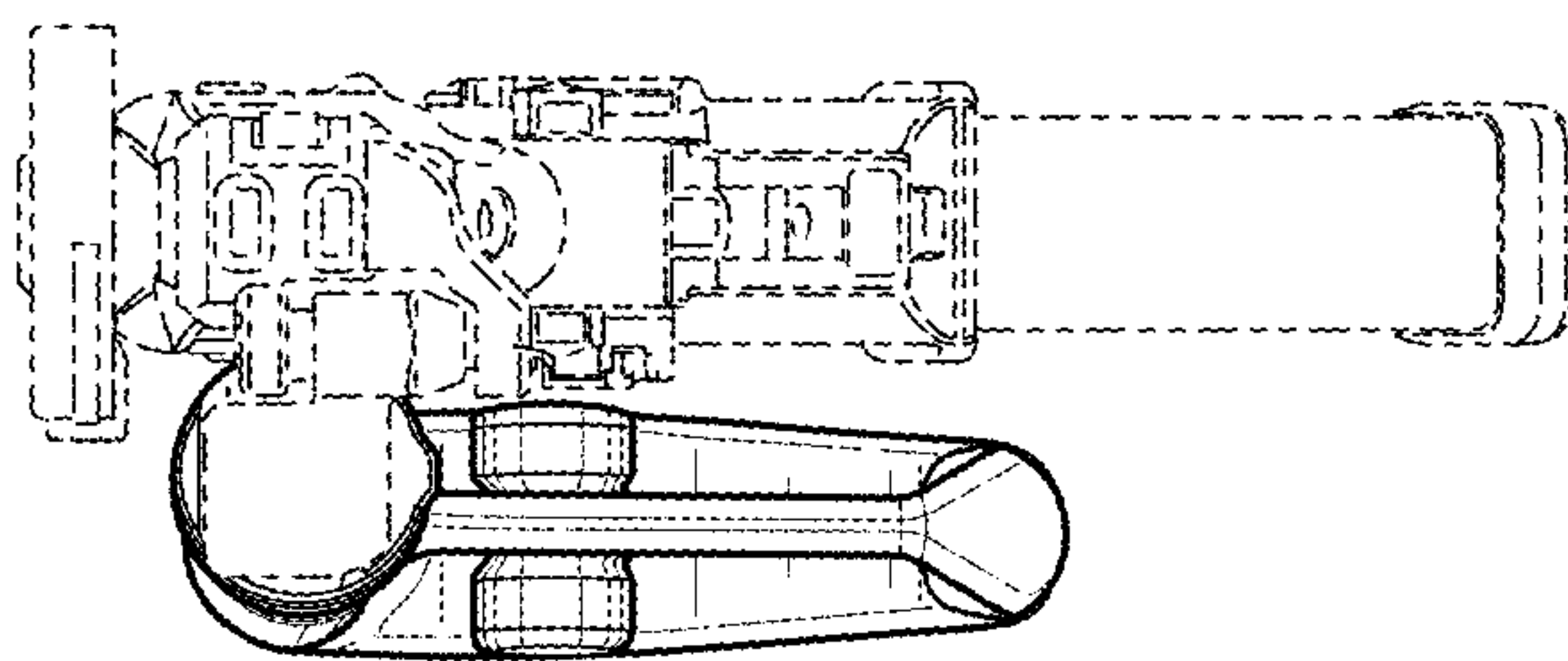


FIG. 9

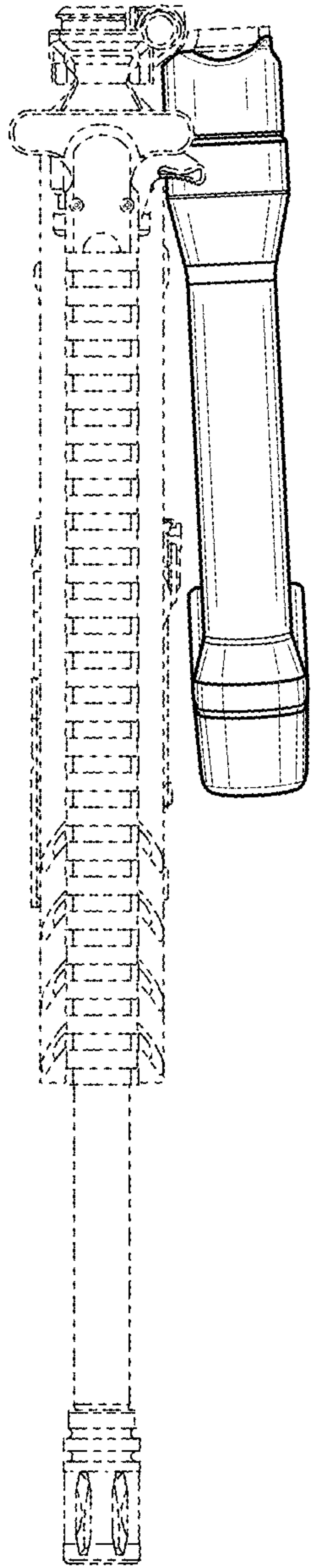


FIG. 11

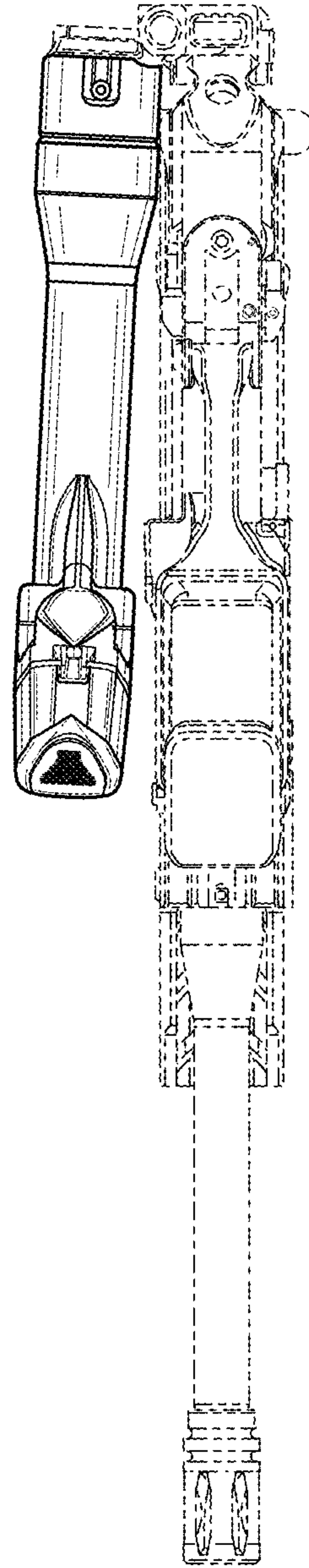


FIG. 12

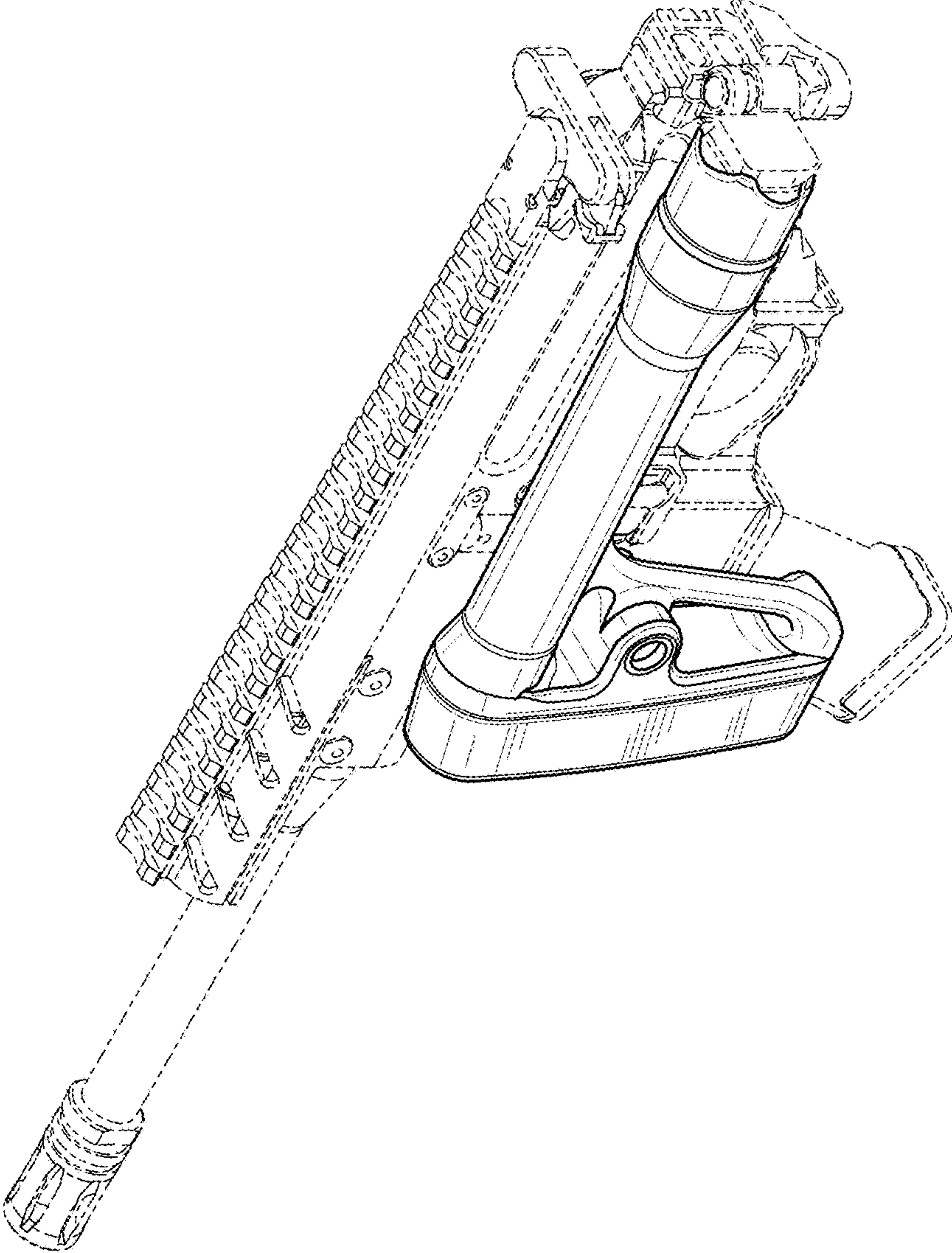


FIG. 13