



US00D773590S

(12) **United States Design Patent** (10) **Patent No.:** **US D773,590 S**
Wingate (45) **Date of Patent:** **** Dec. 6, 2016**

(54) **HAND GUARD FOR A SUBMACHINE GUN**

FOREIGN PATENT DOCUMENTS

(71) Applicant: **Sig Sauer, Inc.**, Newington, NH (US)

CN 200968821 * 10/2007 F41A 21/32

(72) Inventor: **Mark Wingate**, New Durham, NH (US)

OTHER PUBLICATIONS

(73) Assignee: **SIG SAUER, INC.**, Newington, NH (US)

Omega Mfg AR-15 KeyMod Free Float 15" Extended Rifle Length Handguard Rail, Omega Manufacturing, Inc., omegamanufacturinginc.com, [online], [site visited Sep. 15, 2016]. <URL: http://www.omegamanufacturinginc.com/Omega-Mfg-AR-15-Key-Mod-KeyMod-Free-Float-15-Extended-Rifle-Length-Handguard-Rail_p_518.html>.*

(**) Term: **15 Years**

(Continued)

(21) Appl. No.: **29/551,736**

(22) Filed: **Jan. 15, 2016**

Primary Examiner — T. Chase Nelson

(51) **LOC (10) Cl.** **22-01**

Assistant Examiner — Jonathan J Han

(52) **U.S. Cl.**
USPC **D22/108**

(74) *Attorney, Agent, or Firm* — Finch & Maloney PLLC

(58) **Field of Classification Search**
USPC D22/108, 109, 100–107, 110, 111;
D21/572–575; D14/418
CPC F41C 23/10; F41C 23/16; F41C 23/18
See application file for complete search history.

(57) **CLAIM**

The ornamental design for a hand guard for a submachine gun, as shown and described.

(56) **References Cited**

U.S. PATENT DOCUMENTS

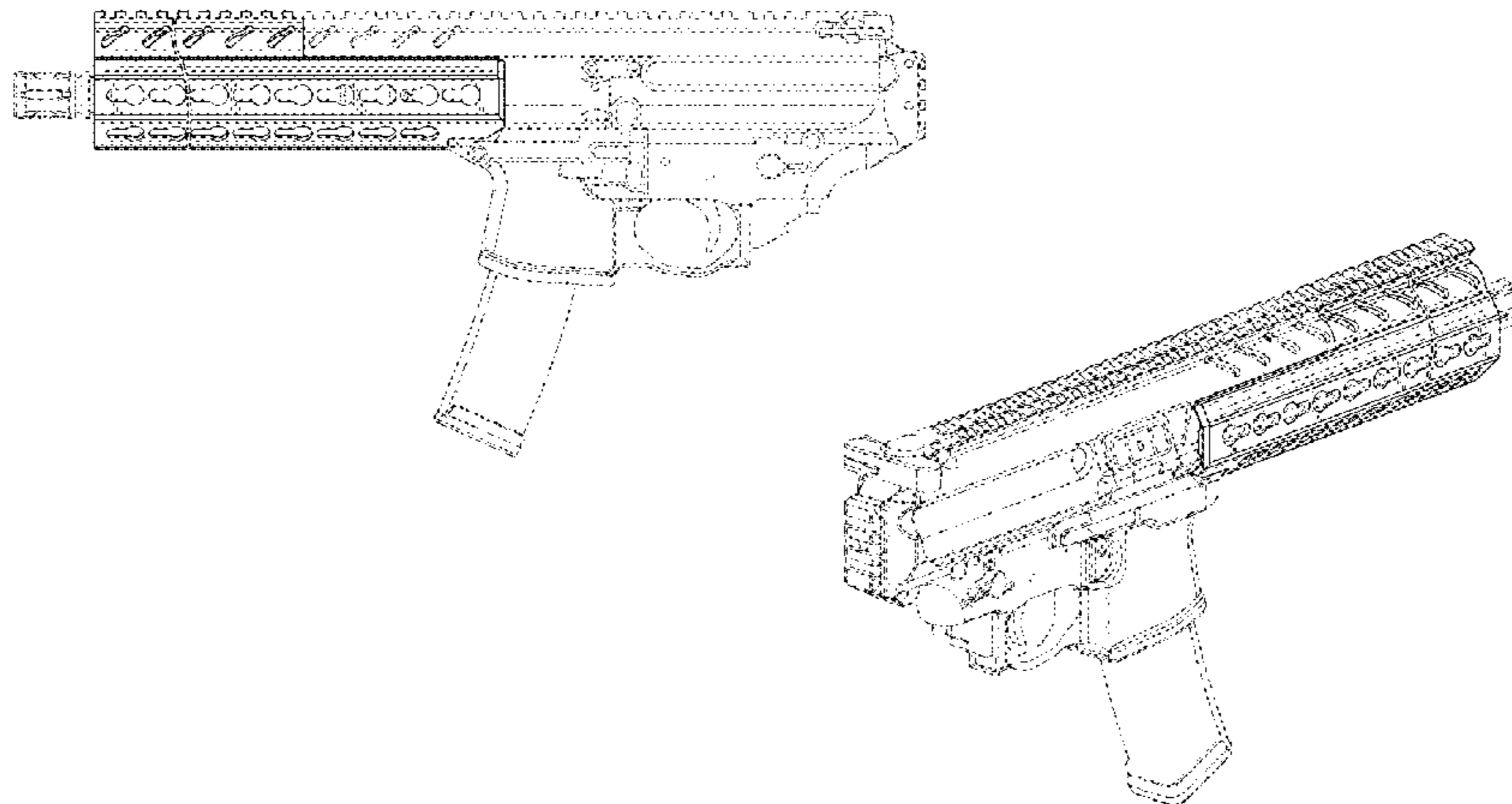
DESCRIPTION

2,424,194	A	7/1947	Sampson et al.	
2,970,398	A	2/1961	Crouch	
3,488,488	A	1/1970	Crouch	
3,618,584	A	11/1971	Pigeon	
4,512,236	A	4/1985	Thevis et al.	
4,617,749	A	10/1986	Jurek	
4,735,007	A	4/1988	Gal	
D304,062	S *	10/1989	Barrett	D22/103
D344,124	S	2/1994	Cupp	
D410,988	S	6/1999	Hines	
5,983,774	A	11/1999	Mihaita	
D477,855	S *	7/2003	Selvaggio	D22/108
6,839,998	B1	1/2005	Armstrong	
D510,401	S	10/2005	Murello et al.	
D556,289	S *	11/2007	Yu	D22/108
D600,310	S	9/2009	Fitzpatrick et al.	
D606,155	S	12/2009	Swan	
D606,156	S	12/2009	Swan	
D606,614	S *	12/2009	Fitzpatrick	D22/103

FIG. 1 is a left elevation view of a hand guard for a submachine gun showing the design; FIG. 2 is a right elevation view thereof; FIG. 3 is a rear elevation view thereof; FIG. 4 is a front elevation view thereof; FIG. 5 is a top plan view thereof; FIG. 6 is a bottom plan view thereof; and, FIG. 7 is a rear perspective view thereof. Broken lines in the drawings are for the purpose of illustrating environmental structure and form no part of the claimed design. The break lines in the drawings indicate that any portion of the article between the break lines shown forms no part of the claimed design.

(Continued)

1 Claim, 5 Drawing Sheets



(56)

References Cited

U.S. PATENT DOCUMENTS

D613,811 S * 4/2010 Swan D22/108
 7,793,452 B1 * 9/2010 Samson F41C 23/16
 42/71.01
 D636,044 S 4/2011 Larson et al.
 D636,048 S 4/2011 Larson et al.
 D639,376 S * 6/2011 Ding D22/108
 7,966,761 B1 6/2011 Kuczynko et al.
 D641,450 S * 7/2011 Ding D22/108
 D648,811 S * 11/2011 En D21/573
 8,061,072 B1 11/2011 Crose
 8,091,265 B1 * 1/2012 Teetzel F41C 23/16
 42/124
 8,151,504 B1 4/2012 Aiston
 8,201,353 B1 * 6/2012 Swan F41C 23/16
 42/71.01
 8,245,429 B2 8/2012 Kuczynko et al.
 D671,184 S 11/2012 Larson et al.
 D674,859 S 1/2013 Robbins et al.
 8,397,419 B2 * 3/2013 Williams F41C 23/16
 42/90
 8,443,538 B1 5/2013 Moody
 8,522,467 B1 9/2013 Christensen et al.
 D692,517 S 10/2013 Faifer
 8,631,601 B2 1/2014 Langevin et al.
 D699,807 S * 2/2014 Lee D22/108
 8,667,882 B1 3/2014 Larson et al.
 8,726,558 B1 5/2014 Nason
 D708,693 S * 7/2014 Faxon D22/108
 8,769,855 B2 7/2014 Law
 8,806,792 B2 * 8/2014 Yan F41C 23/16
 42/71.01
 D714,413 S 9/2014 Kerbrat et al.
 8,844,185 B2 9/2014 Jarboe
 D716,403 S 10/2014 Burt et al.
 D717,907 S * 11/2014 Montes D22/108
 D717,908 S * 11/2014 Montes D22/108
 8,904,691 B1 * 12/2014 Kincel F41C 23/16
 42/71.01
 8,931,196 B1 * 1/2015 Larue F41A 11/04
 42/71.01
 D723,128 S * 2/2015 Hu D22/103
 D724,168 S * 3/2015 Alis D22/103
 D724,169 S * 3/2015 Emde D22/103
 D724,171 S * 3/2015 Trusty D22/108
 D724,688 S 3/2015 Hirt et al.
 D725,213 S * 3/2015 Hirt D22/103
 D725,219 S 3/2015 Hirt et al.
 D725,220 S 3/2015 Hirt et al.
 9,015,980 B2 * 4/2015 Shull F41C 23/04
 42/72
 D731,023 S 6/2015 Hirt et al.
 D736,886 S * 8/2015 Cheng D22/108
 D744,054 S * 11/2015 Peterson D22/108
 D746,399 S * 12/2015 Folkestad, II D22/108
 9,273,926 B2 * 3/2016 Wood F41G 11/003
 9,389,043 B1 * 7/2016 Zhang F41C 23/16
 D764,620 S * 8/2016 Packard D22/103
 9,404,714 B2 * 8/2016 Langevin F41C 23/16
 9,423,216 B2 * 8/2016 Cheng F41G 11/001
 2009/0282718 A1 11/2009 Bartley
 2010/0186276 A1 7/2010 Herring
 2010/0319231 A1 * 12/2010 Stone F41C 23/16
 42/71.01

2011/0061281 A1 * 3/2011 Kapusta F41C 23/16
 42/71.01
 2011/0283581 A1 11/2011 Freed
 2012/0017482 A1 1/2012 Chvala
 2012/0180354 A1 7/2012 Sullivan et al.
 2012/0198990 A1 * 8/2012 Brittin F41A 5/26
 89/191.01
 2013/0125442 A1 5/2013 Burress, Jr.
 2013/0276341 A1 * 10/2013 Wells F41G 11/003
 42/71.01
 2014/0026459 A1 * 1/2014 Yan F41C 23/16
 42/71.01
 2014/0033590 A1 2/2014 Gomez
 2014/0075816 A1 3/2014 Larson et al.
 2014/0115939 A1 * 5/2014 Troy F41C 23/16
 42/72
 2014/0130390 A1 * 5/2014 Geissele F41C 23/16
 42/71.01
 2014/0196346 A1 7/2014 Grimshaw et al.
 2014/0260946 A1 9/2014 Gomez
 2015/0168096 A1 * 6/2015 Miller F41G 1/44
 42/71.01
 2015/0192385 A1 * 7/2015 Krebs F41C 23/16
 42/71.01
 2015/0241160 A1 * 8/2015 McGinty F41C 23/16
 42/94
 2015/0316347 A1 * 11/2015 Shea F41C 23/16
 42/75.02
 2016/0054096 A1 * 2/2016 Dzwil F41C 23/16
 42/75.02
 2016/0169617 A1 * 6/2016 Daley, Jr. F41C 23/16
 42/71.01
 2016/0178316 A1 * 6/2016 Miller F16B 39/04
 29/456
 2016/0223286 A1 * 8/2016 Storch F41C 23/16

OTHER PUBLICATIONS

NcSTAR AR-15 Carbine Extended KeyMod Handguard, Sportsmansguide.com, [online], [site visited Sep. 15, 2016]. <URL: <http://www.sportsmansguide.com/product/index/ncstar-ar-15-carbine-extended-keymod-handguard?a=1817641>>.*
 MPX-P Pistol with SBX Pistol Stabilizing Brace, arnzenarms.com, [online], [site visited Sep. 15, 2016]. <URL: <http://arnzenarms.com/product/sig-sauer/self-defense/home-defense/home-defense-guns/home-defense-pistols/mpx-p-pistol-with-sbx-pistol-stablizing-brace-9mm-8-inch-barrel-flip-up-sights-aluminum-keymod>>.*
 Sign Sauer MPX post, SIGforum, sigforum.com, posted Jul. 3, 2014, 11:25 PM, [online], [site visited Sep. 15, 2016]. <URL: <http://sigforum.com/eve/forums/a/tpc/f/320601935/m/4610068653/p/2>>.*
 Sign Sauer MPX post, SIGforum, sigforum.com, posted Jul. 3, 2014, 06:18 PM, [online], [site visited Sep. 15, 2016]. <URL: <http://sigforum.com/eve/forums/a/tpc/f/320601935/m/4610068653>>.*
 Sign Sauer Introduces MPX, P226 Airguns, Tom McHale, Apr. 14, 2015, taretailer.com, [online], [site visited Sep. 15, 2016]. <URL: <http://www.taretailer.com/2015/04/14/sig-sauer-introduces-mpx-p226-airguns/>>.*
 The SIG MPX Submachine Gun, Sig Sauer, Inc., Youtube.com, video published Apr. 9, 2015, [online], [site visited Sep. 15, 2016]. <URL: <https://www.youtube.com/watch?v=Oc29p0ViVbg&feature=youtu.be>>.*

* cited by examiner

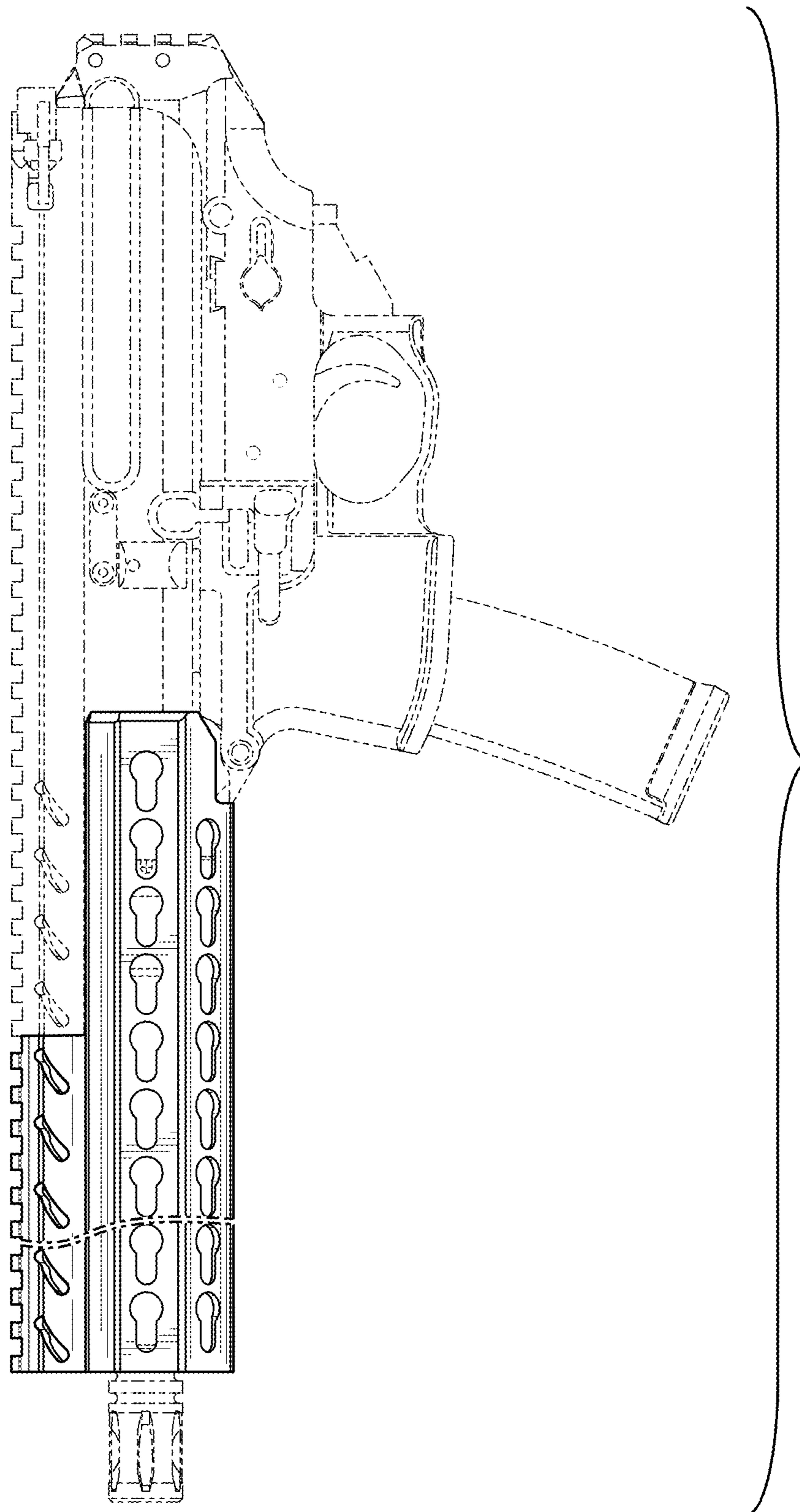


FIG. 1

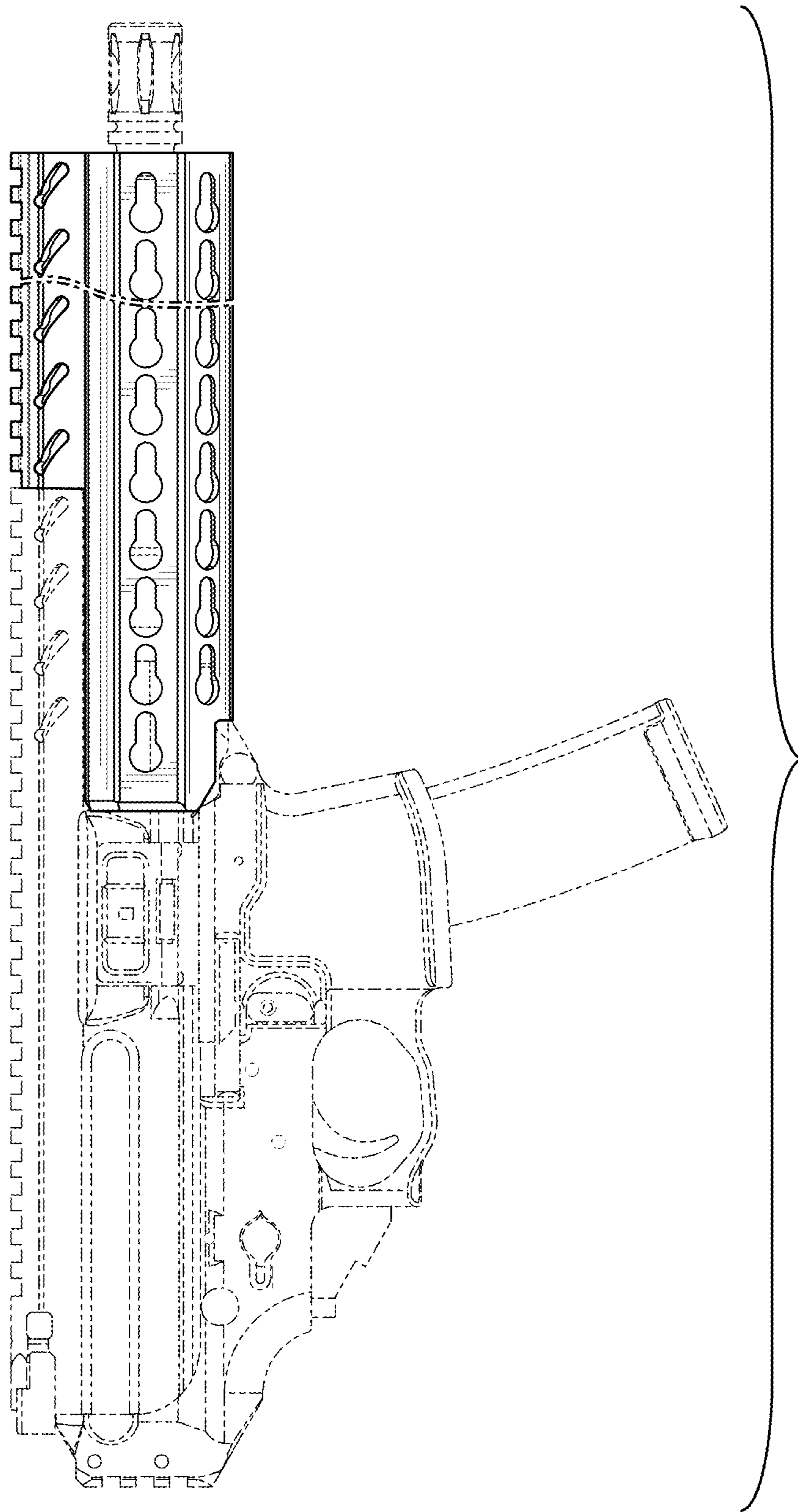


FIG. 2

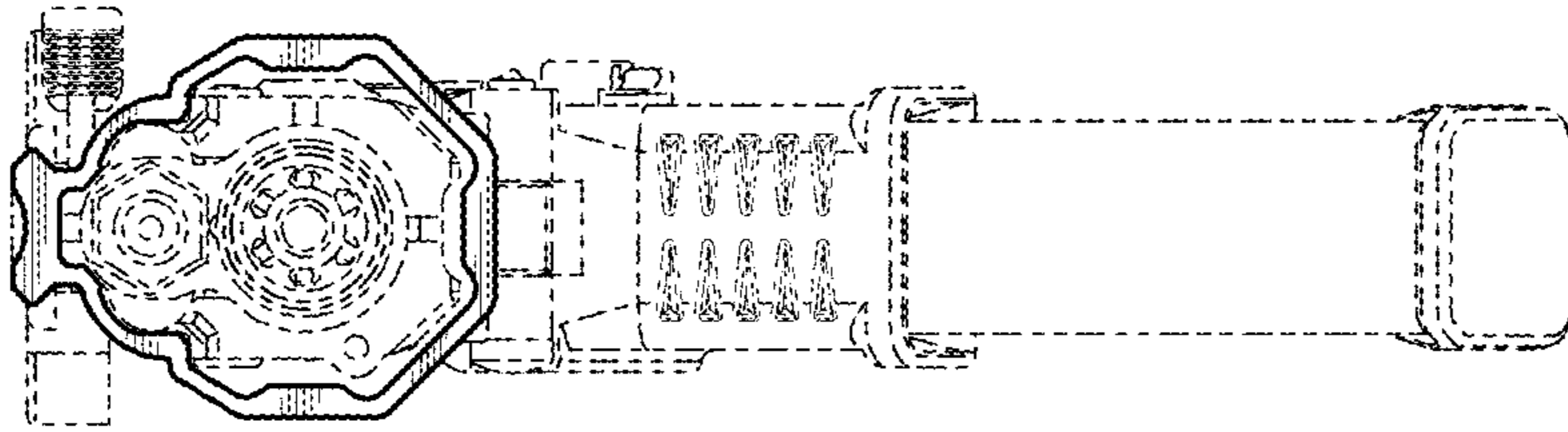


FIG. 4

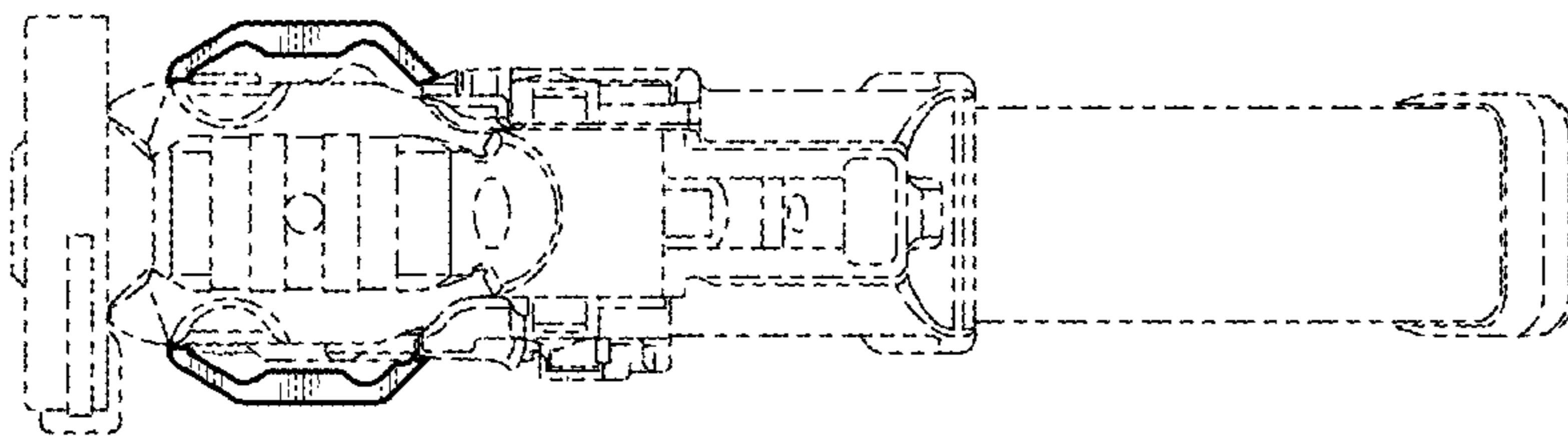


FIG. 3

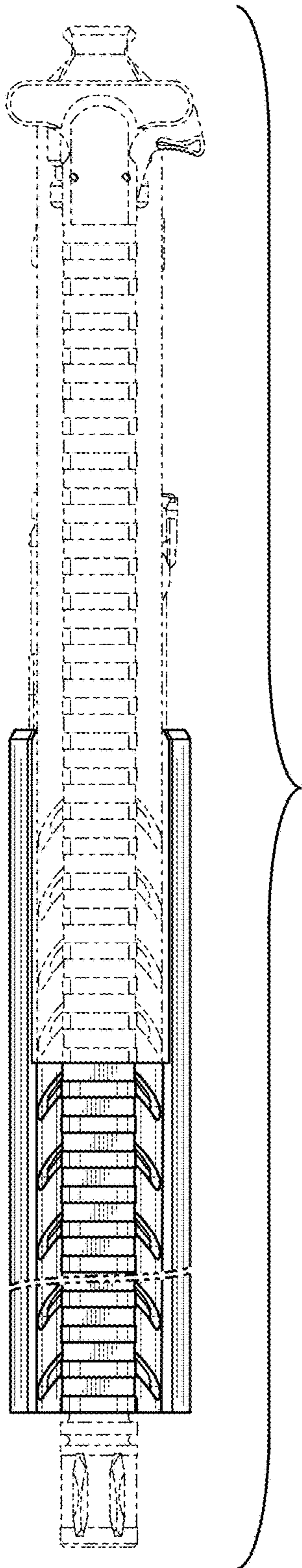


FIG. 5

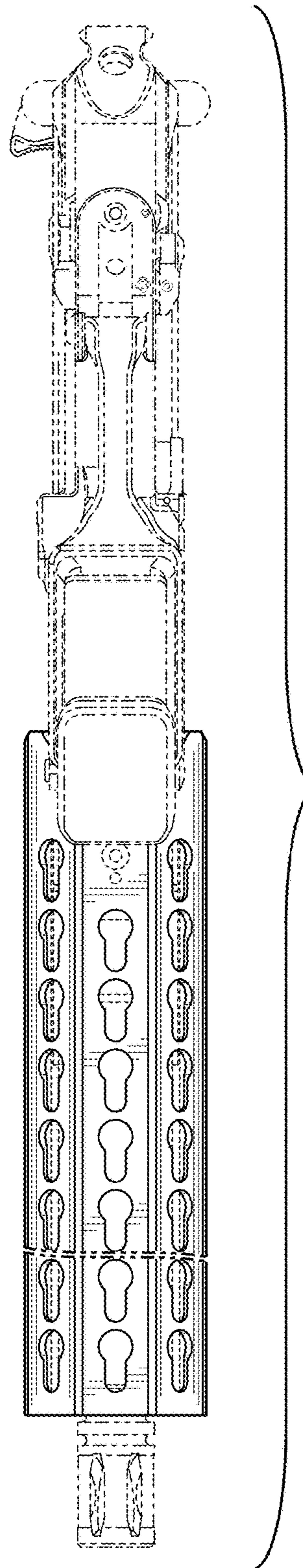


FIG. 6

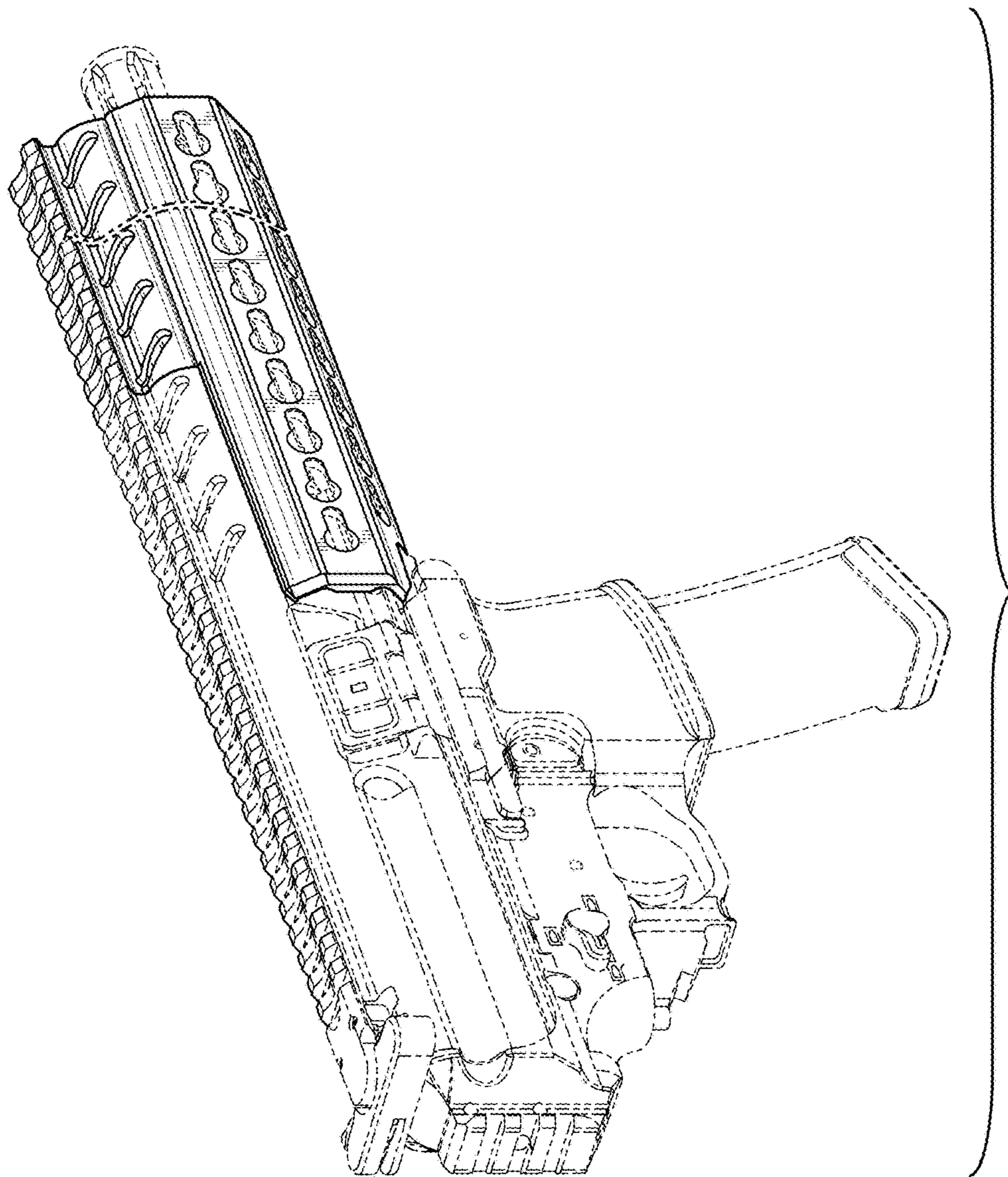


FIG. 7