



US00D773586S

(12) **United States Design Patent** (10) **Patent No.:** **US D773,586 S**  
**Sharps** (45) **Date of Patent:** **\*\* Dec. 6, 2016**

(54) **FIREARM RECEIVER HAVING SKULL DESIGN**

D726,863 S \* 4/2015 Crume, Sr. .... D22/108  
D741,416 S \* 10/2015 Barajas ..... D21/560  
D741,956 S \* 10/2015 Barajas ..... D21/560

(71) Applicant: **Sharps Bros, LLC**, Eugene, OR (US)

\* cited by examiner

(72) Inventor: **John Sharps**, Eugene, OR (US)

*Primary Examiner* — Michael A Pratt

(73) Assignee: **Sharps Bros, LLC**, Eugene, OR (US)

(74) *Attorney, Agent, or Firm* — Lowe Graham Jones PLLC

(\*\*) Term: **15 Years**

(57) **CLAIM**

I claim the ornamental design for the firearm receiver having skull design, as shown and described.

(21) Appl. No.: **29/528,673**

**DESCRIPTION**

(22) Filed: **May 29, 2015**

(51) **LOC (10) Cl.** ..... **22-01**

(52) **U.S. Cl.**  
USPC ..... **D22/108**

(58) **Field of Classification Search**  
USPC ..... D22/103, 108; D21/572-575  
CPC ..... F41C 23/10; F41C 23/14; F41C 23/16;  
F41C 23/18; F41C 23/00; F41C 27/00;  
F41C 27/06; F41A 5/18; F41A 5/24; F41A  
21/28

See application file for complete search history.

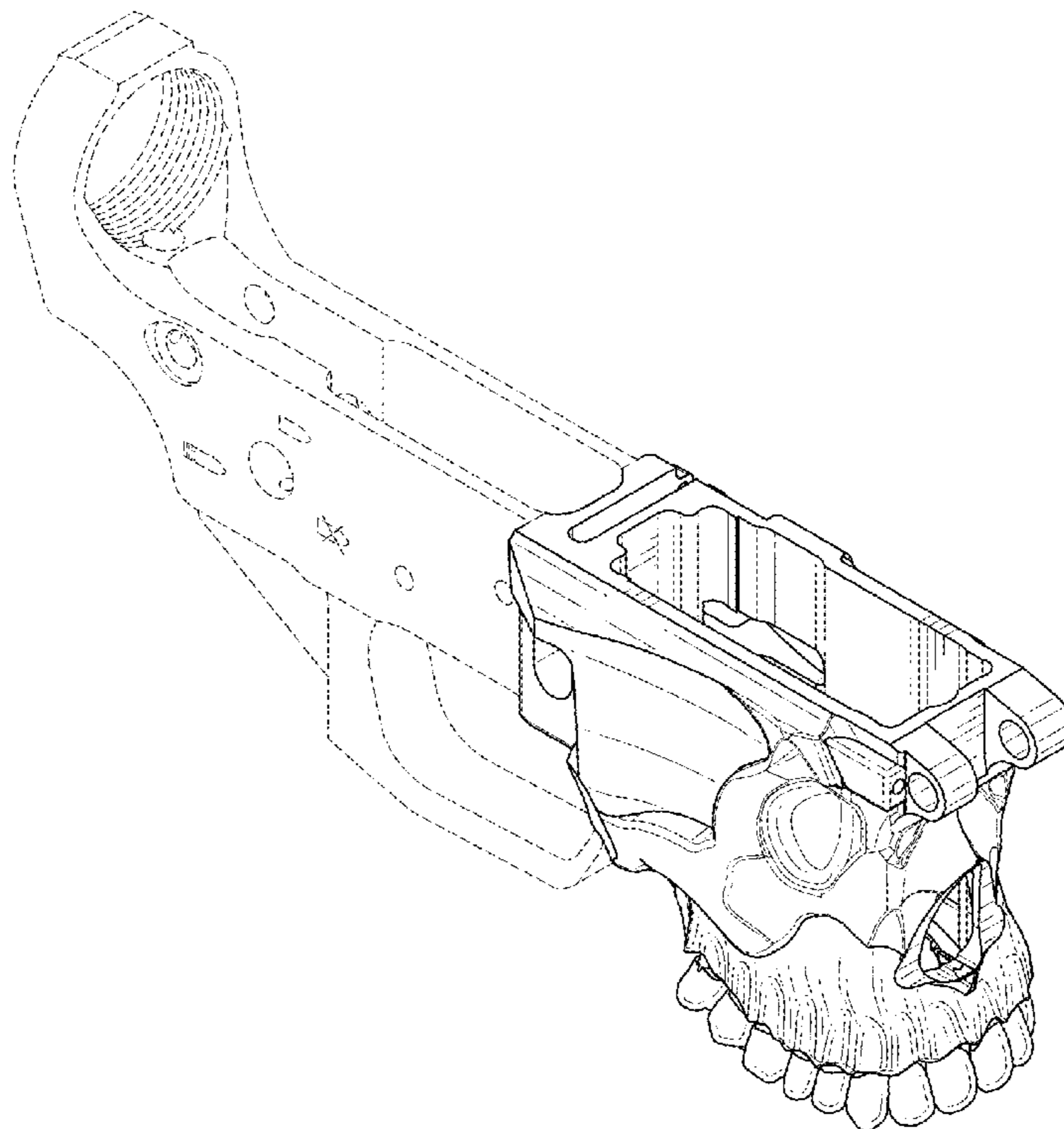
FIG. 1 is a perspective view of the firearm receiver having skull design, showing my new design.  
FIG. 2 is a front view of the firearm receiver having skull design.  
FIG. 3 is a back view of the firearm receiver having skull design.  
FIG. 4 is a left side view of the firearm receiver having skull design.  
FIG. 5 is a right side view of the firearm receiver having skull design.  
FIG. 6 is a top view of the firearm receiver having skull design; and,  
FIG. 7 is a bottom view of the firearm receiver having skull design.  
Aspects illustrated in broken lines in each of the figures form no part of the claimed invention.

(56) **References Cited**

**U.S. PATENT DOCUMENTS**

D689,974 S \* 9/2013 Sharps ..... D22/108  
D726,862 S \* 4/2015 Crume, Sr. .... D22/108

**1 Claim, 7 Drawing Sheets**



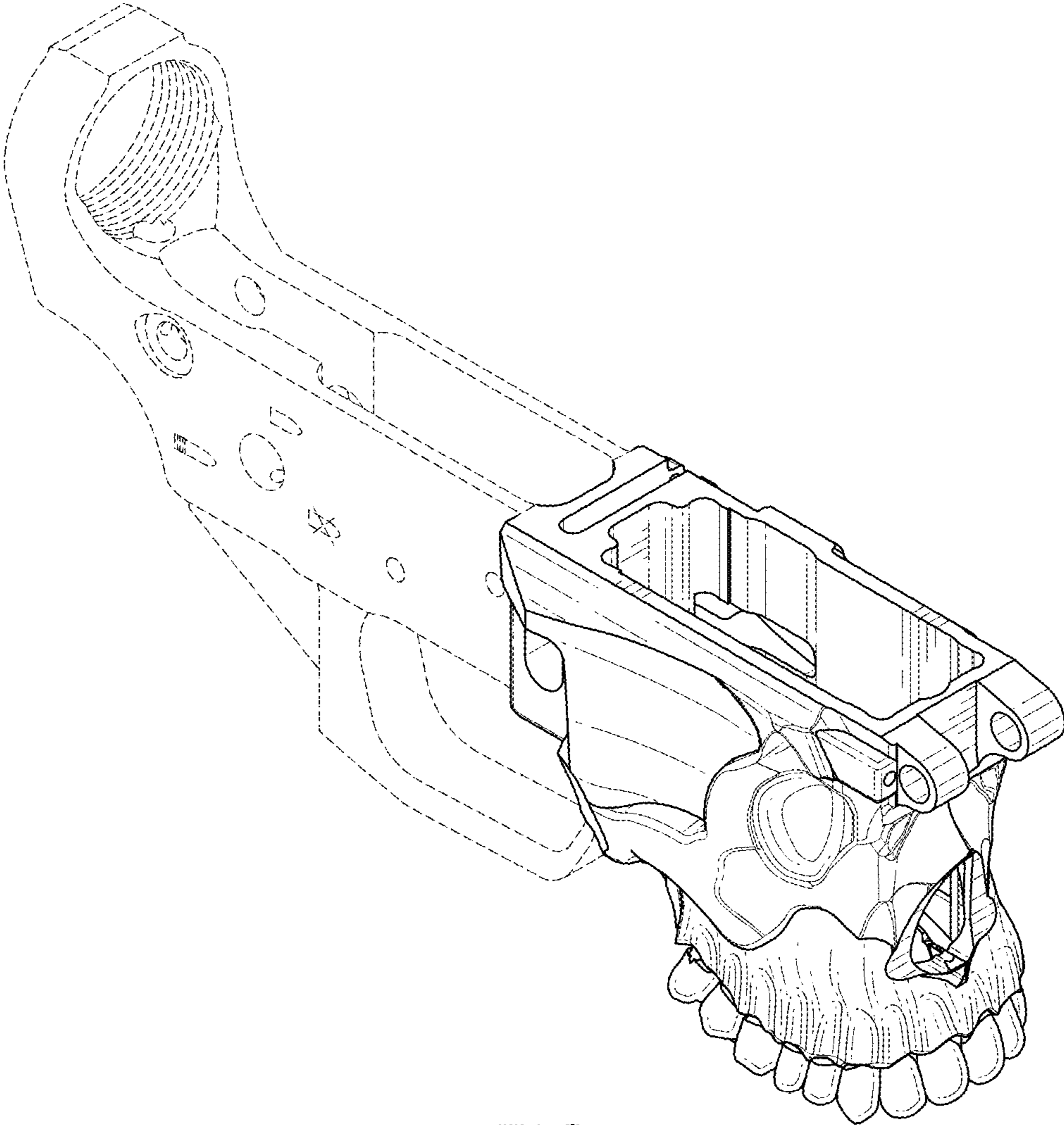


FIG. 1

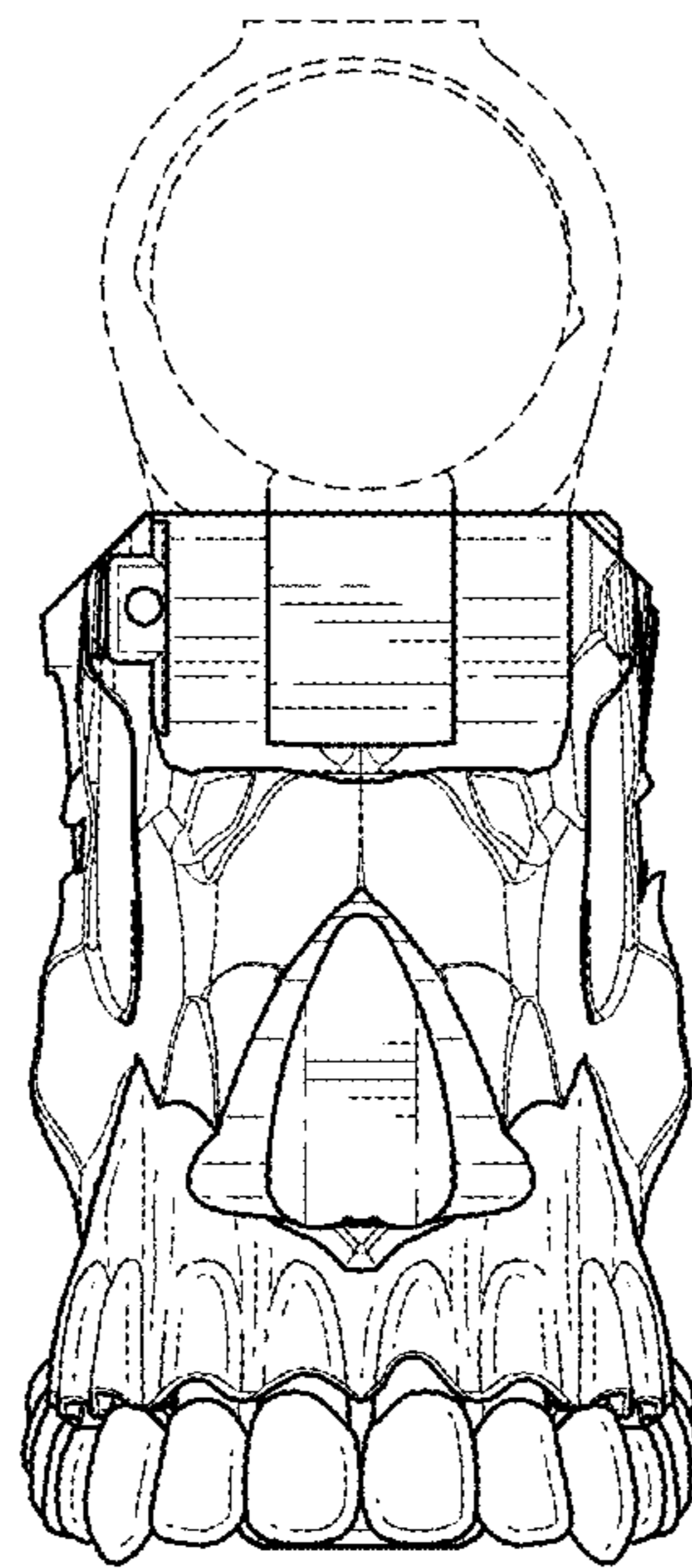


FIG. 2

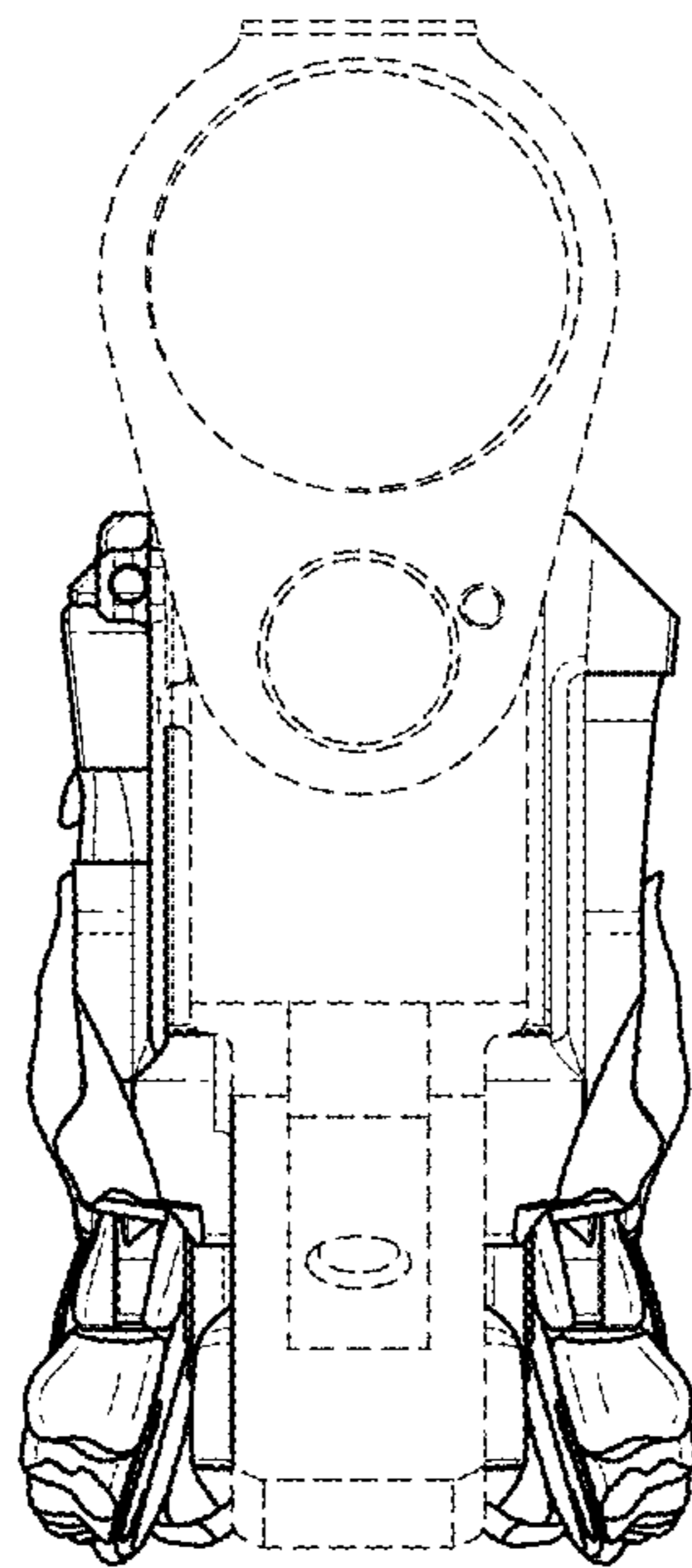


FIG. 3

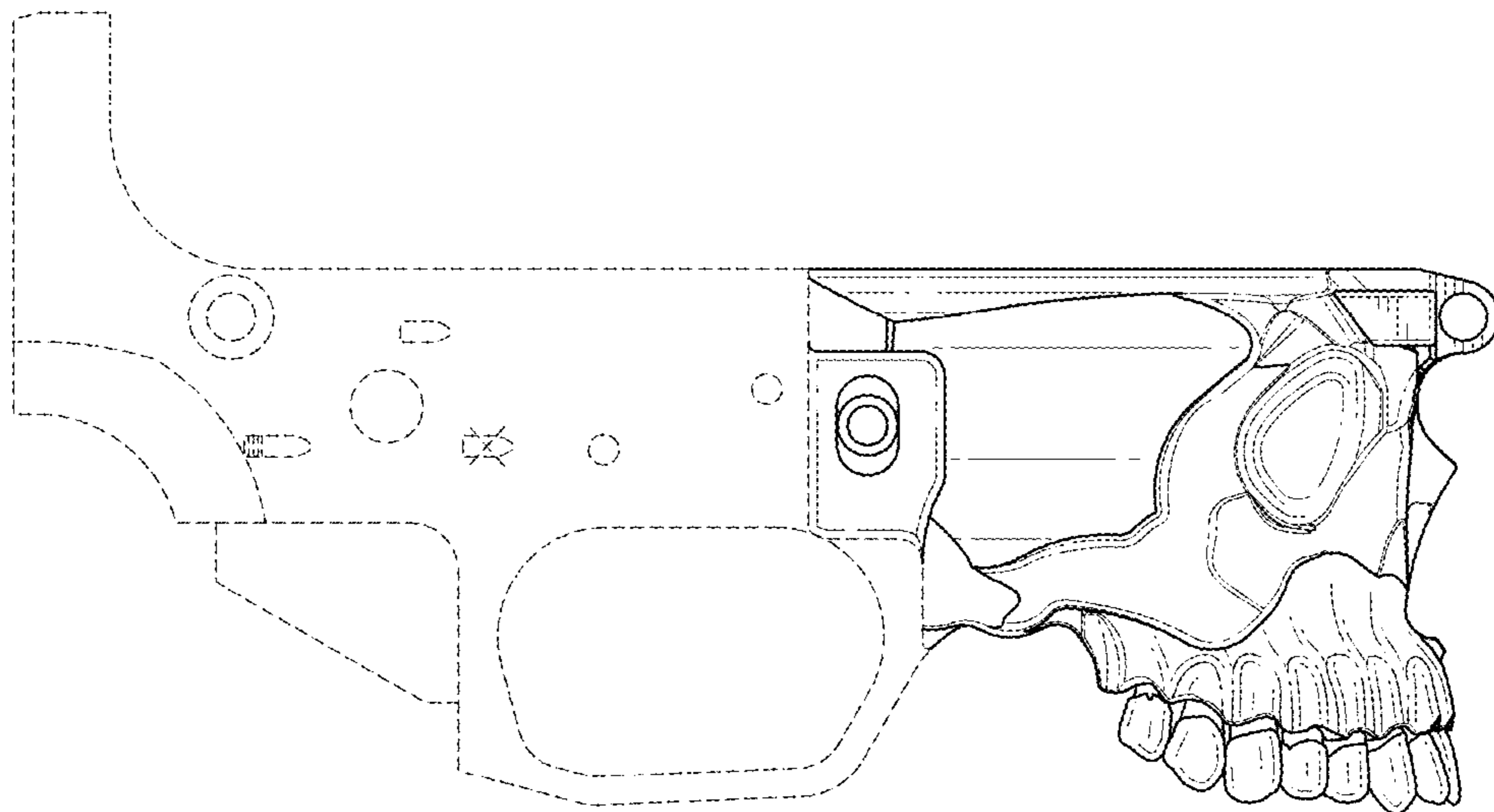


FIG.4

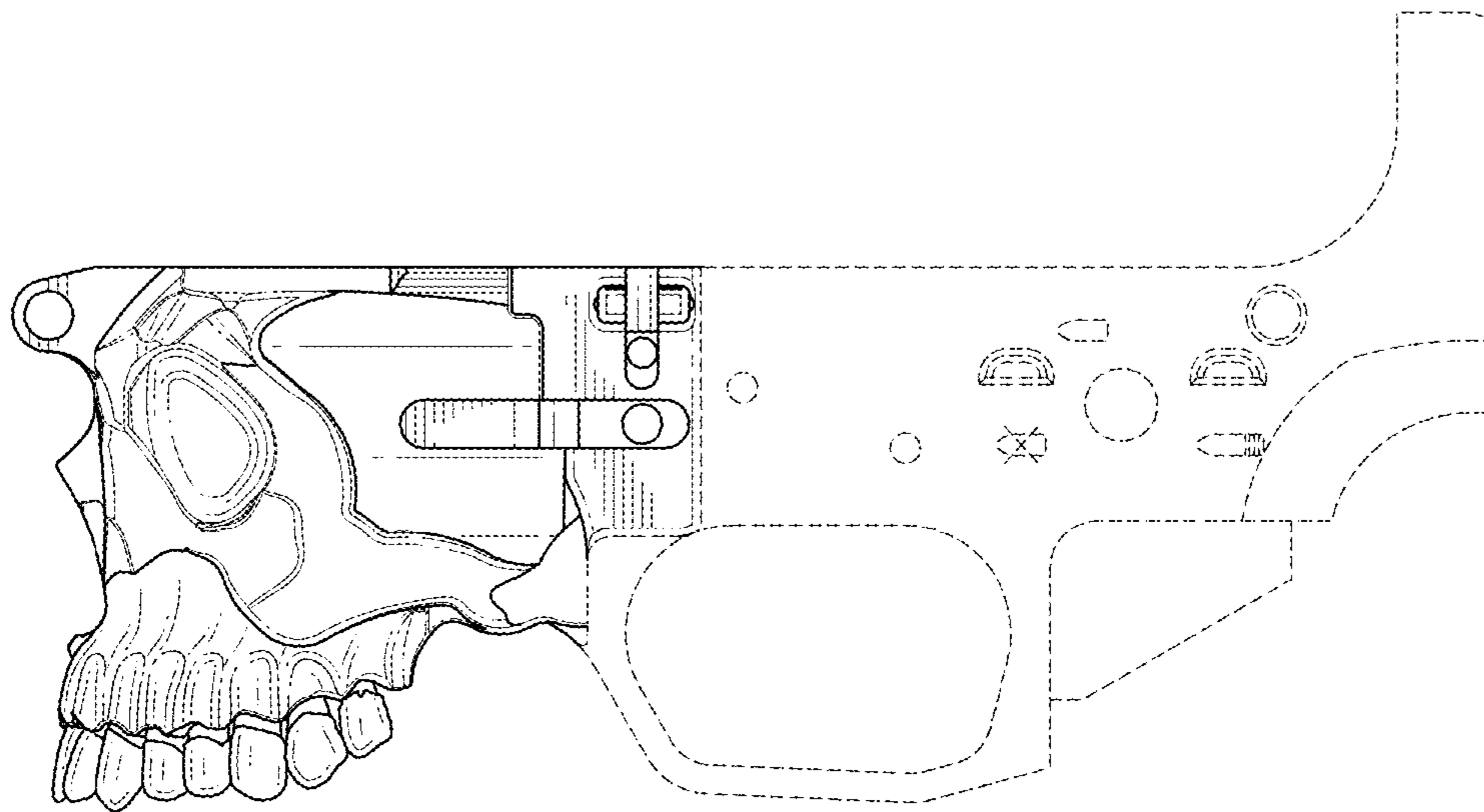


FIG.5

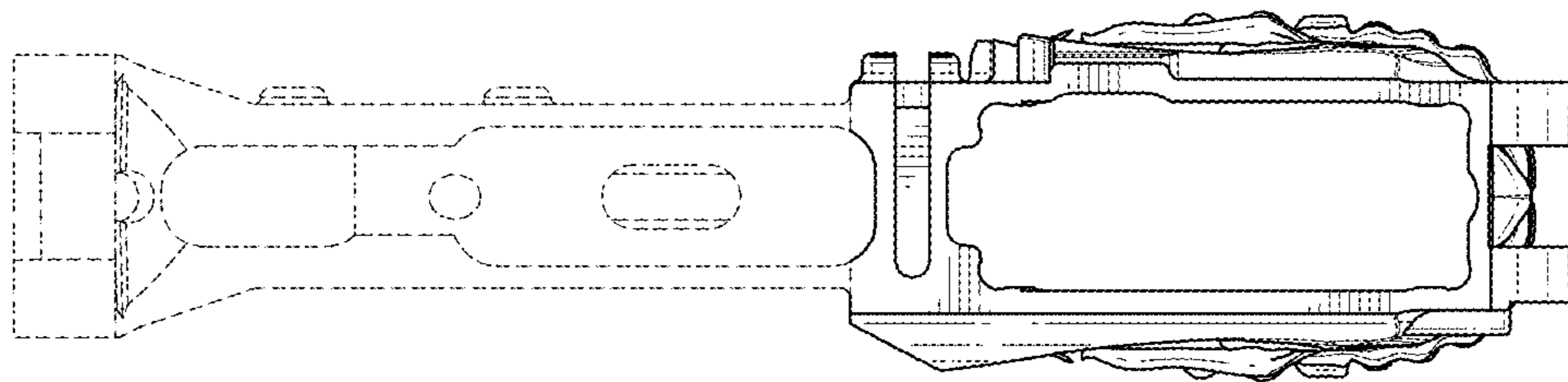


FIG. 6

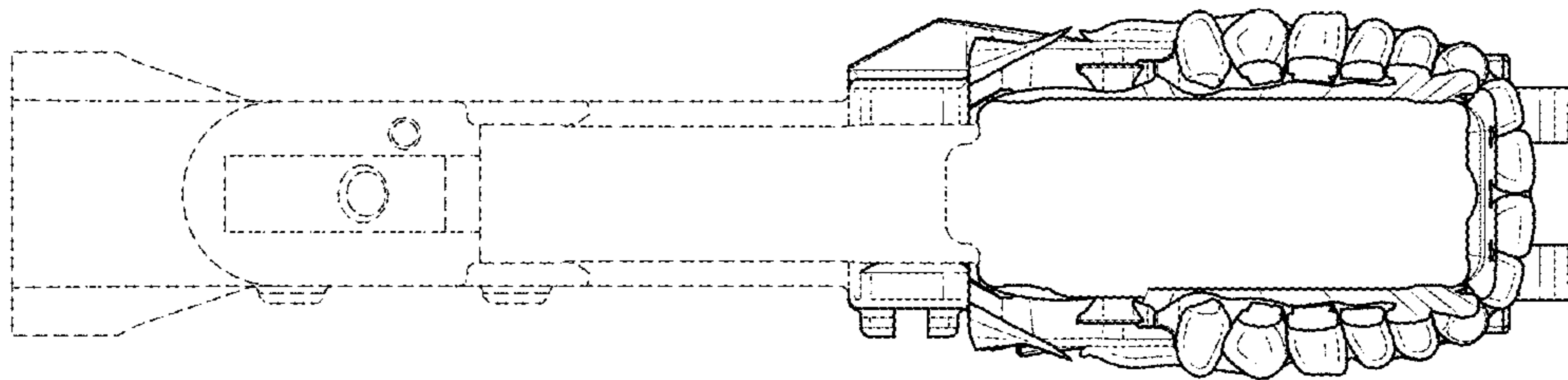


FIG. 7