



US00D773585S

(12) **United States Design Patent**
Miller, III

(10) **Patent No.:** **US D773,585 S**

(45) **Date of Patent:** **** Dec. 6, 2016**

- (54) **FIREARM LOWER RECEIVER**
- (71) Applicant: **Spike's Tactical, LLC**, Apopka, FL (US)
- (72) Inventor: **Thomas James Miller, III**, Lehigh Acres, FL (US)
- (73) Assignee: **Spike's Tactical, LLC**, Apopka, FL (US)
- (**) Term: **14 Years**
- (21) Appl. No.: **29/519,706**
- (22) Filed: **Mar. 6, 2015**
- (51) **LOC (10) Cl.** **22-01**
- (52) **U.S. Cl.**
USPC **D22/108**
- (58) **Field of Classification Search**
USPC D22/103, 108; D21/572-575
CPC F41A 21/30; F41A 21/325
See application file for complete search history.

- 2014/0237878 A1* 8/2014 Lambert F41A 3/66
42/75.01
- 2015/0101230 A1* 4/2015 Curtis F41A 3/66
42/75.01
- 2015/0153125 A1* 6/2015 Lutton F41A 17/46
42/69.01

* cited by examiner

Primary Examiner — Michael A Pratt
(74) *Attorney, Agent, or Firm* — Wood Herron & Evans LLP

(57) **CLAIM**

The ornamental design for a firearm lower receiver, as shown and described.

DESCRIPTION

FIG. 1 is a rear left isometric view of the firearm lower receiver;
 FIG. 2 is a rear right isometric view thereof;
 FIG. 3 is a rear elevational view thereof;
 FIG. 4 is a front elevational view thereof;
 FIG. 5 is a left side elevational view thereof;
 FIG. 6 is a right side elevational view thereof;
 FIG. 7 is a top plan view thereof;
 FIG. 8 is a bottom plan view thereof; and,
 FIG. 9 is a cross sectional view taken along line 9-9 of FIG. 3.

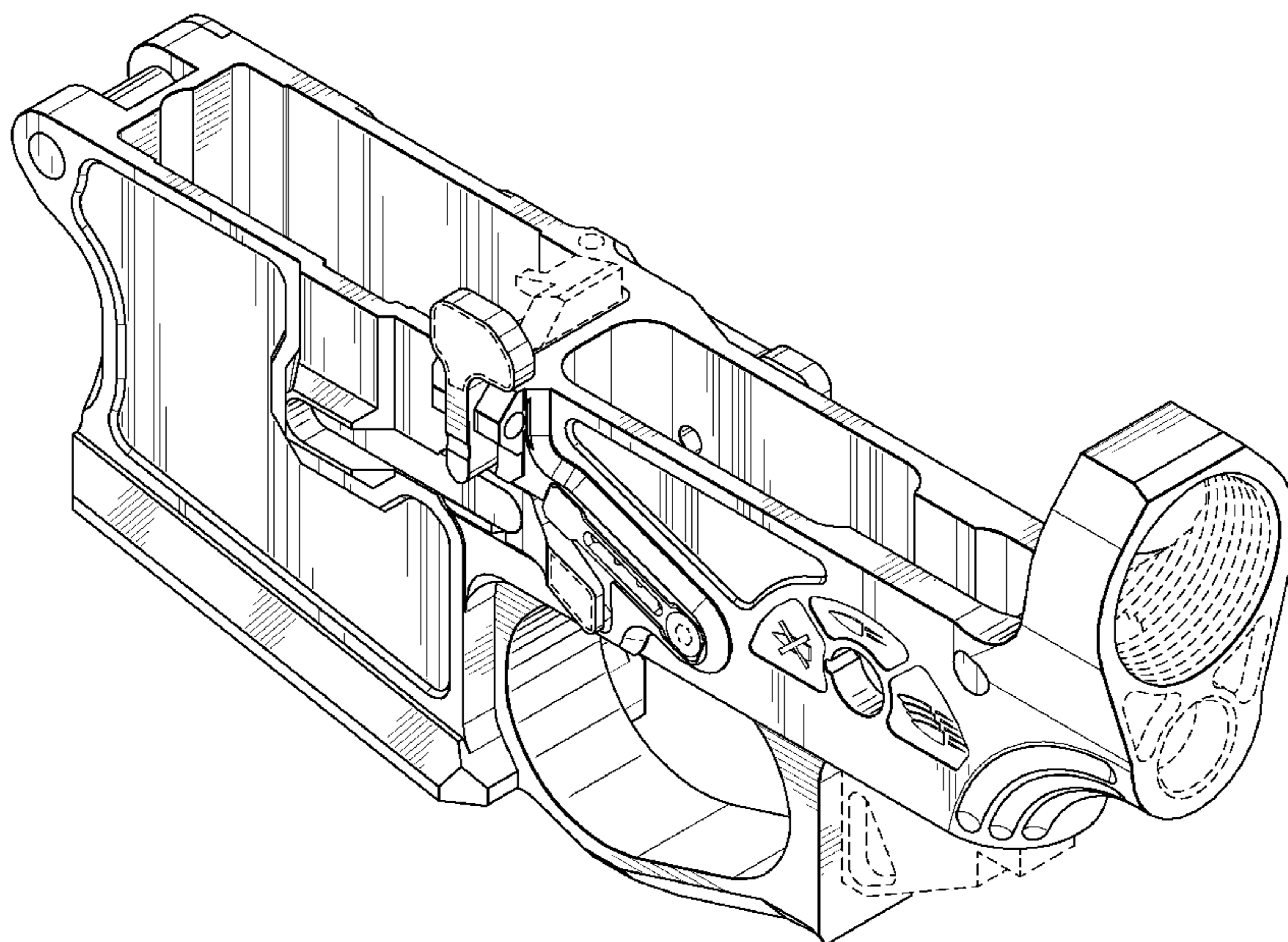
The portions of the firearm lower receiver depicted in broken dash lines represent the bounds of the claim and form no part of the claimed design.

(56) **References Cited**

U.S. PATENT DOCUMENTS

- D600,771 S * 9/2009 Fitzpatrick D22/108
- D713,485 S * 9/2014 Firpo, I D22/108
- D726,863 S * 4/2015 Crume, Sr. D22/108
- D727,454 S * 4/2015 Robinson D22/108
- D746,936 S * 1/2016 Huang D22/108
- D755,338 S * 5/2016 Slank D22/108
- 2005/0183317 A1* 8/2005 Finn F41A 19/11
42/72

1 Claim, 7 Drawing Sheets



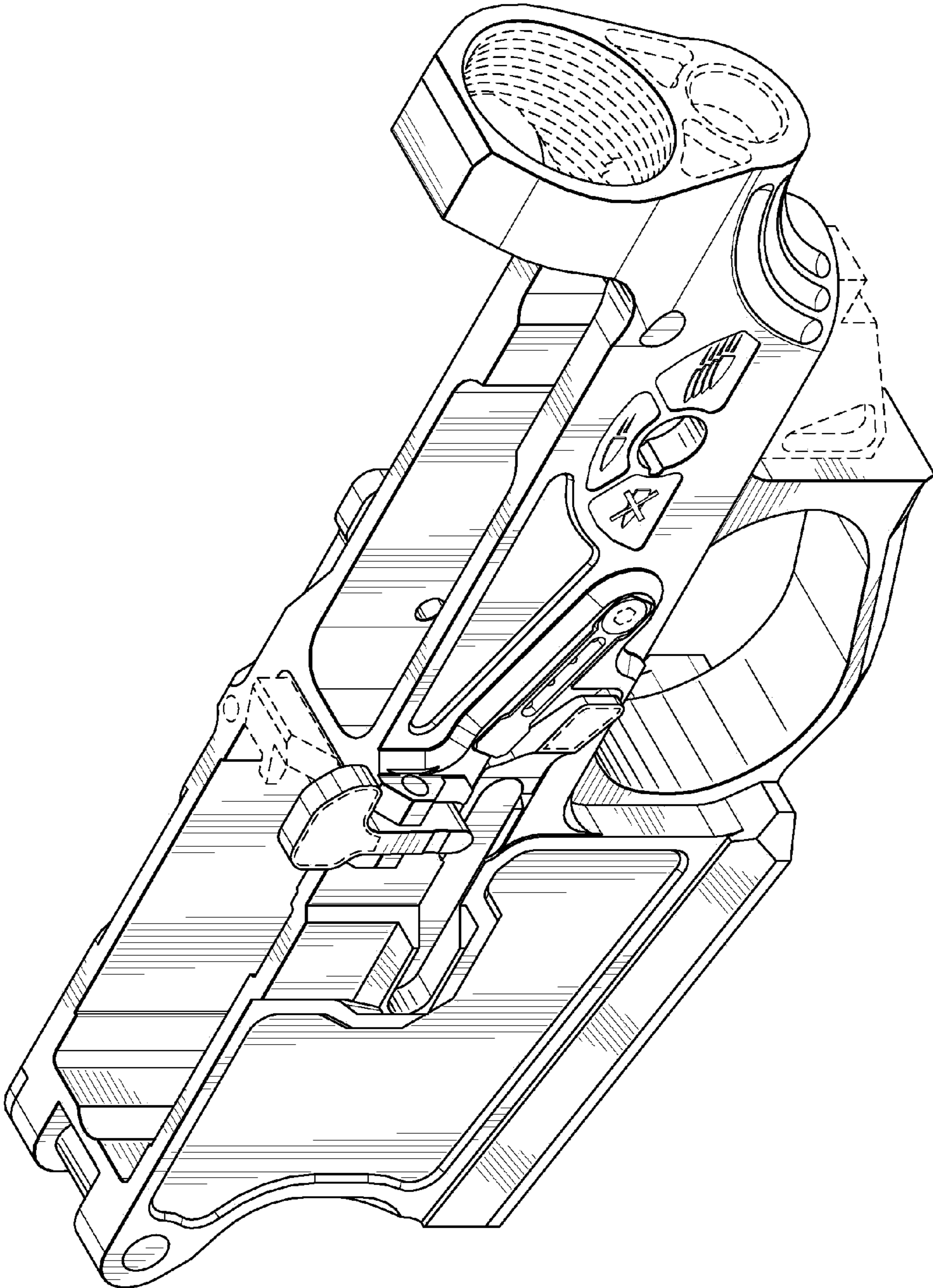


FIG. 1

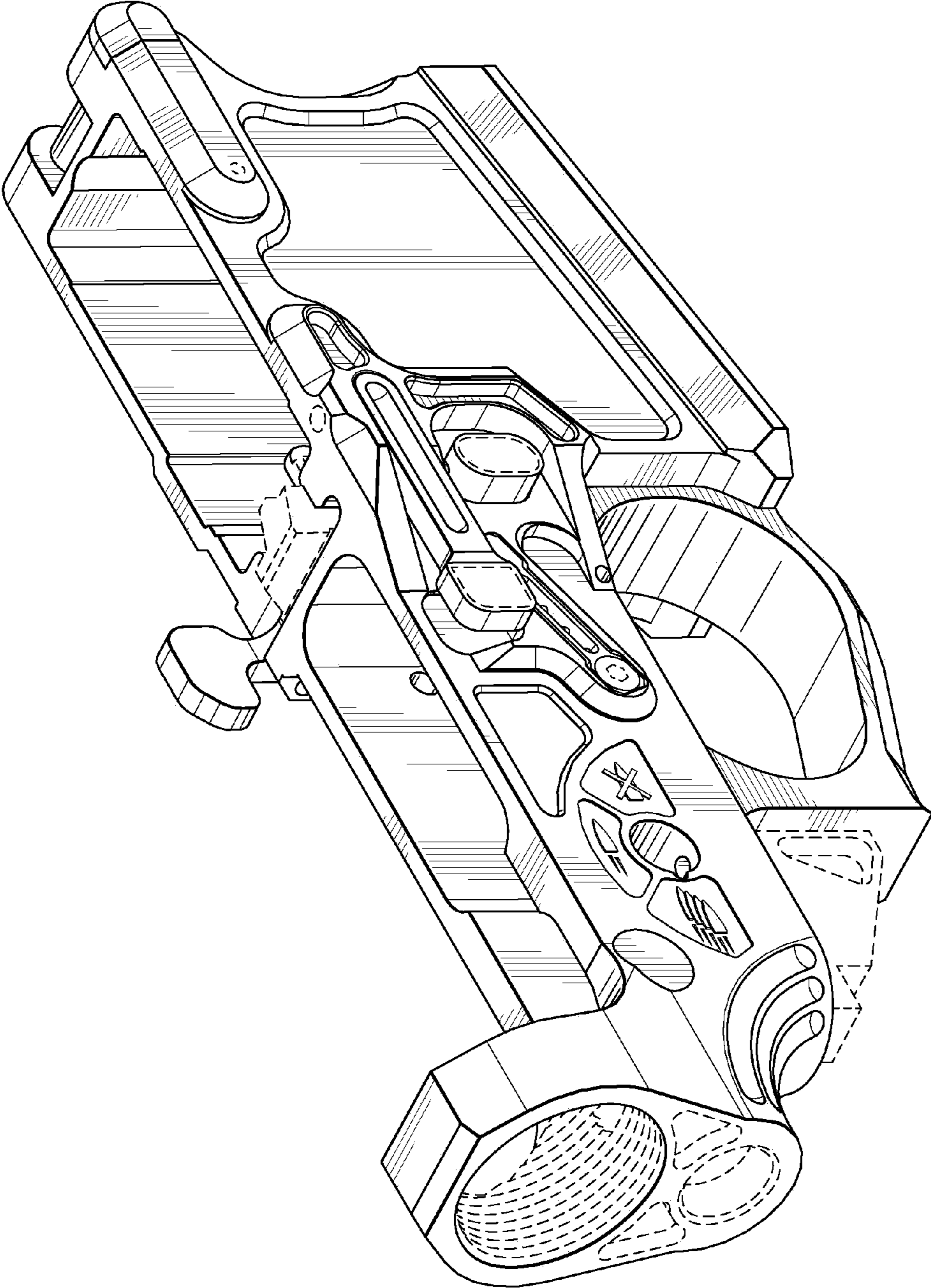


FIG. 2

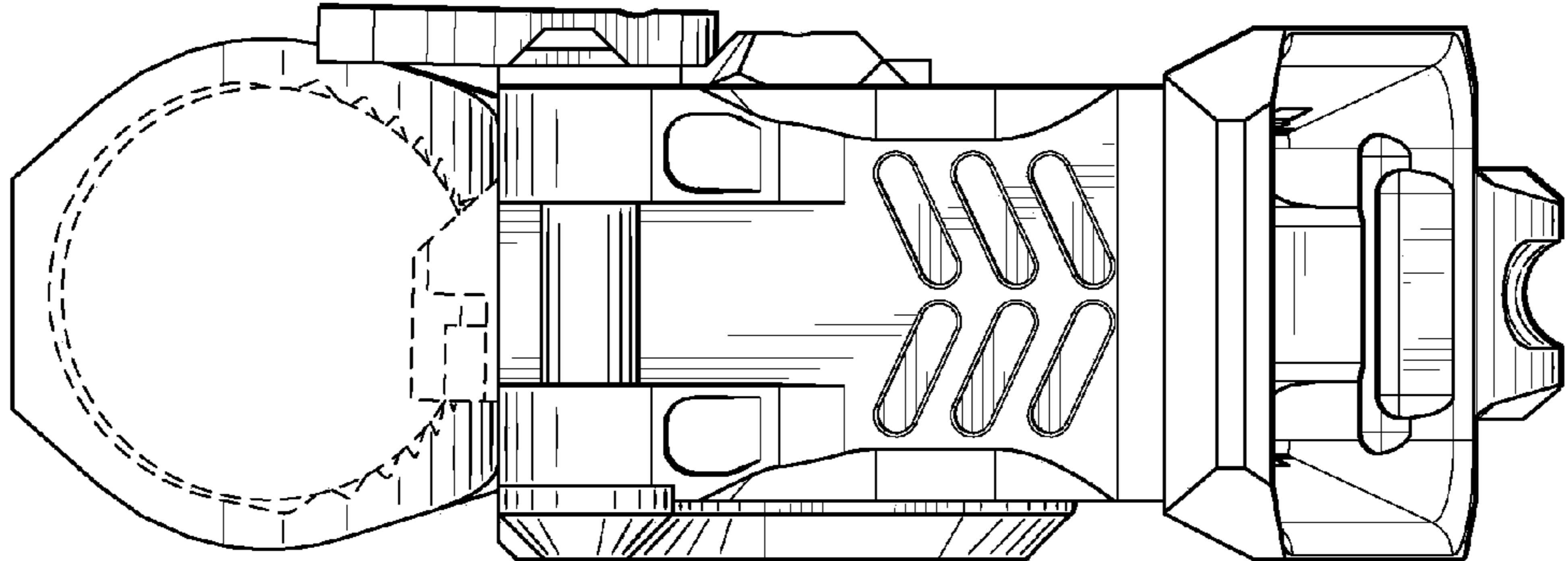


FIG. 4

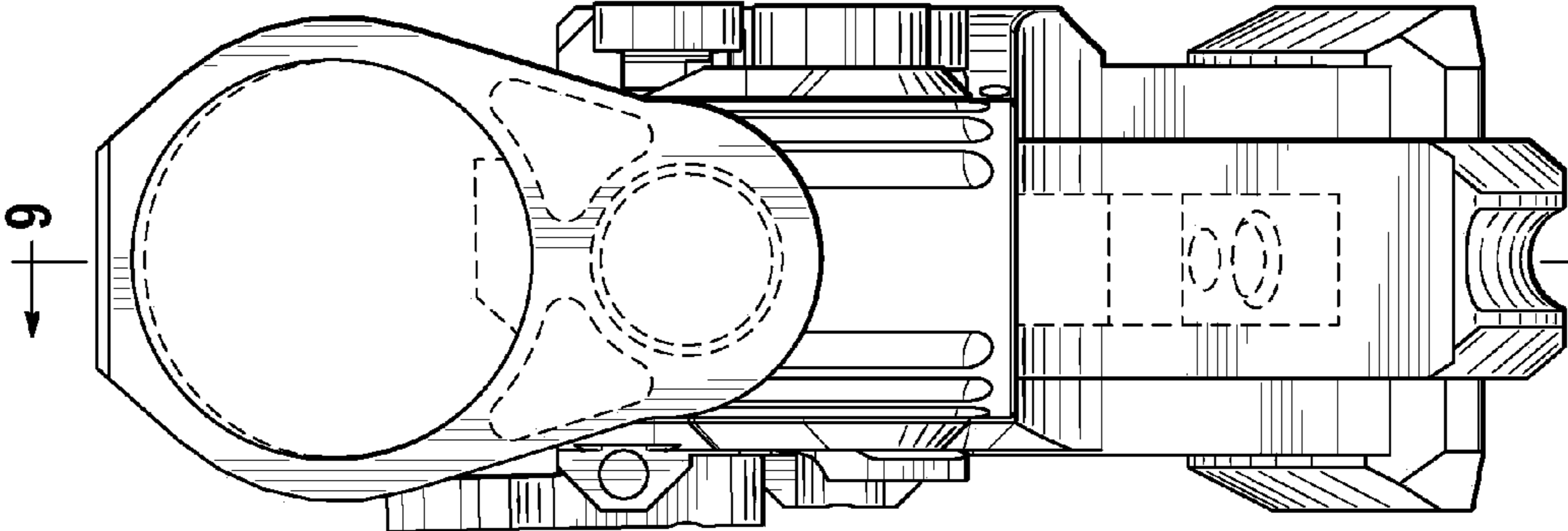


FIG. 3

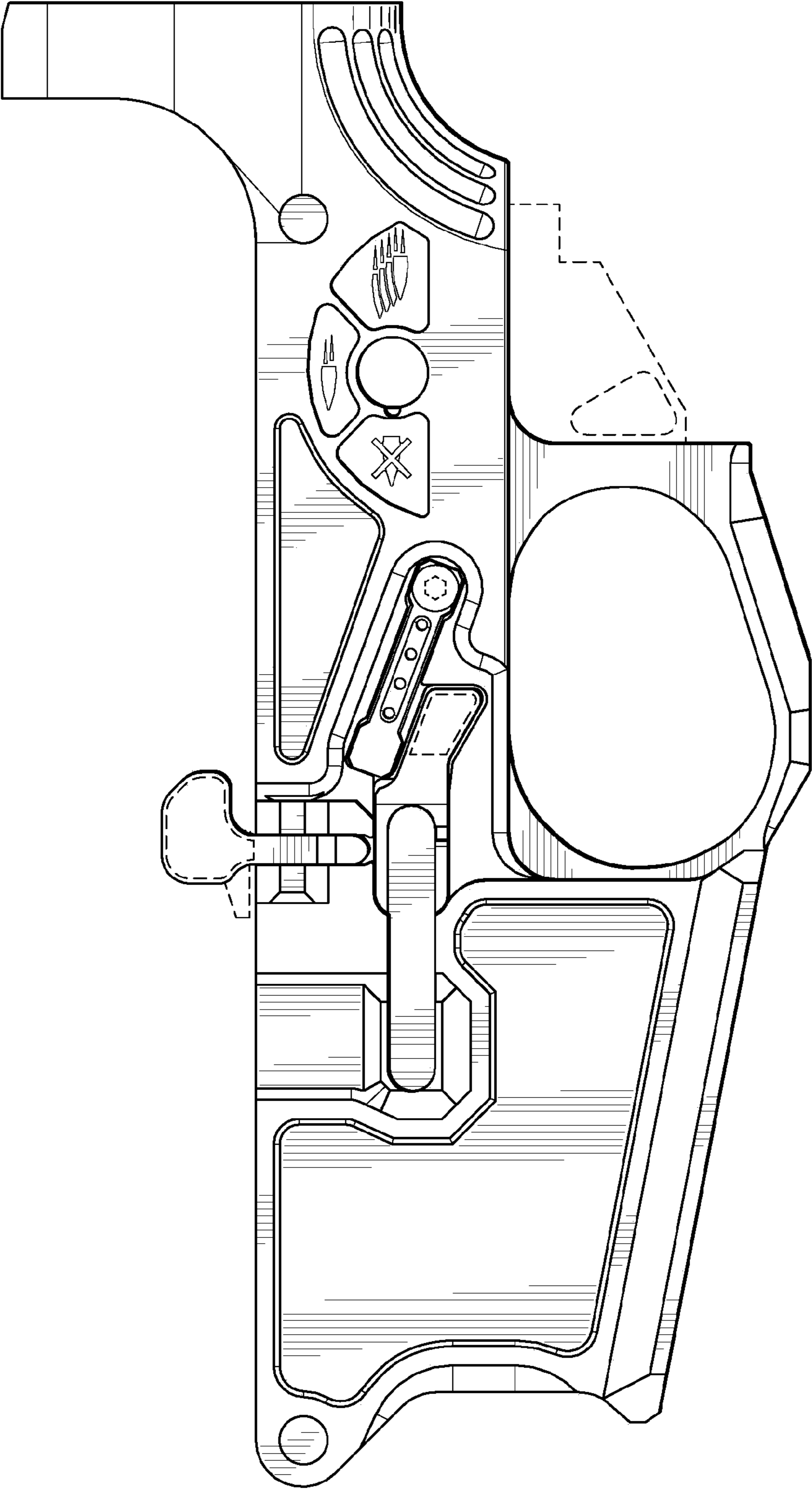


FIG. 5

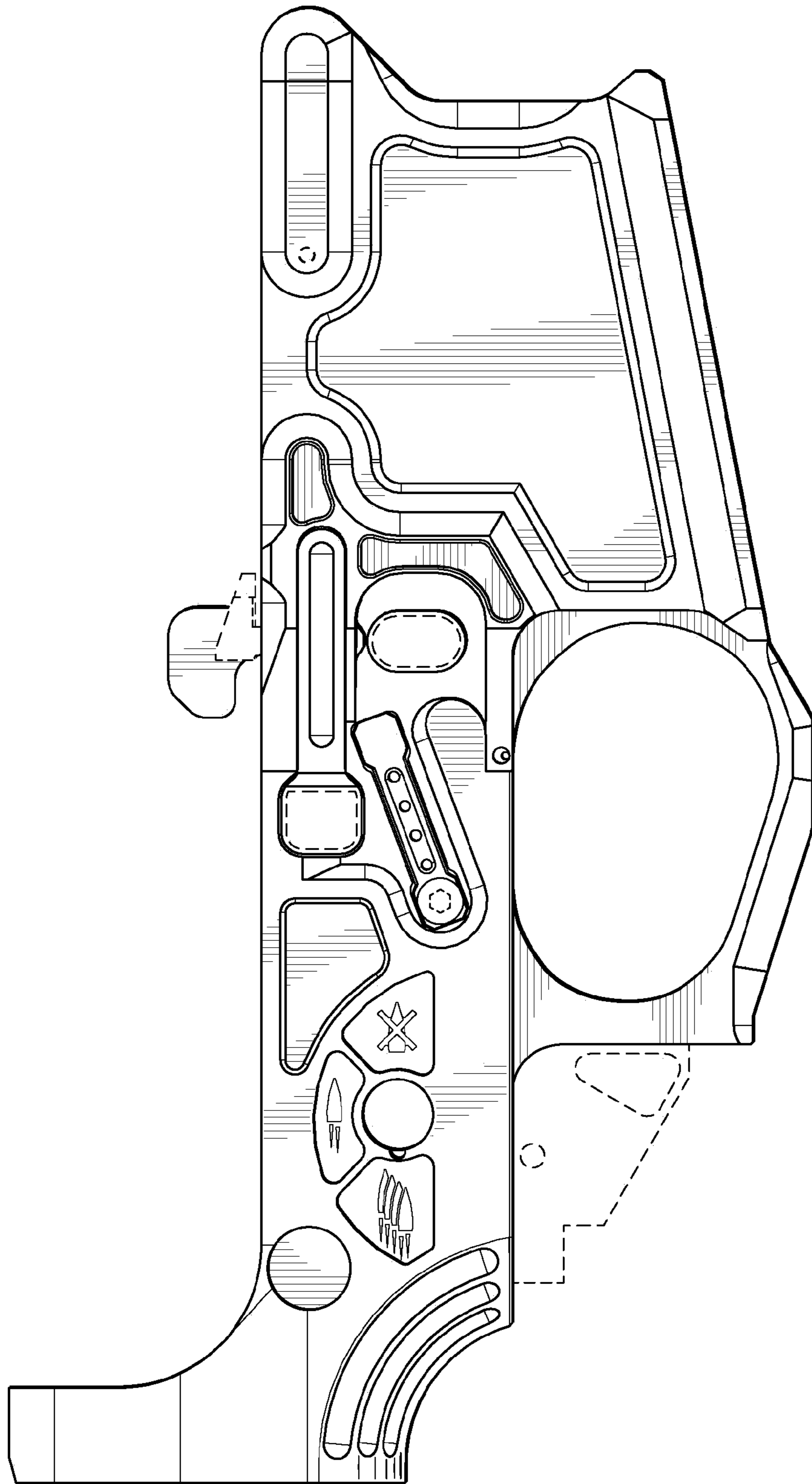


FIG. 6

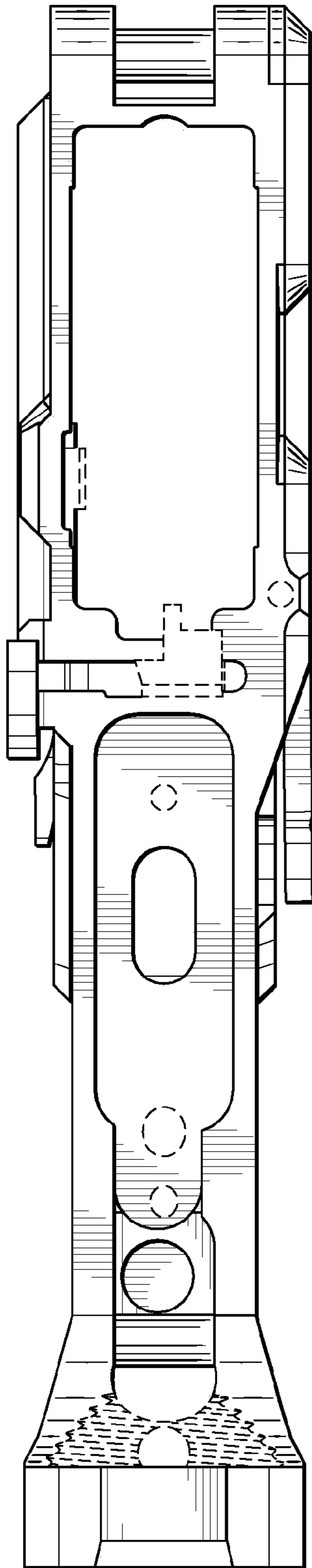


FIG. 7

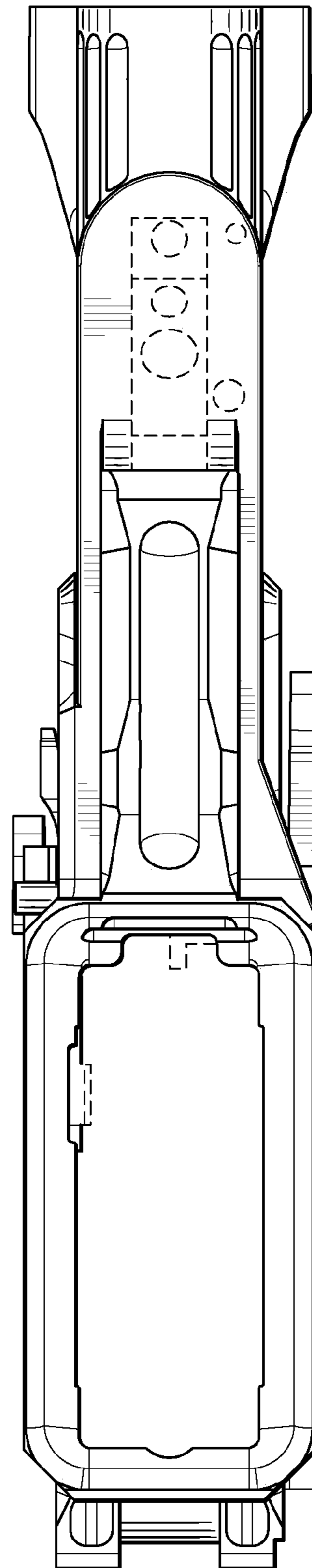


FIG. 8

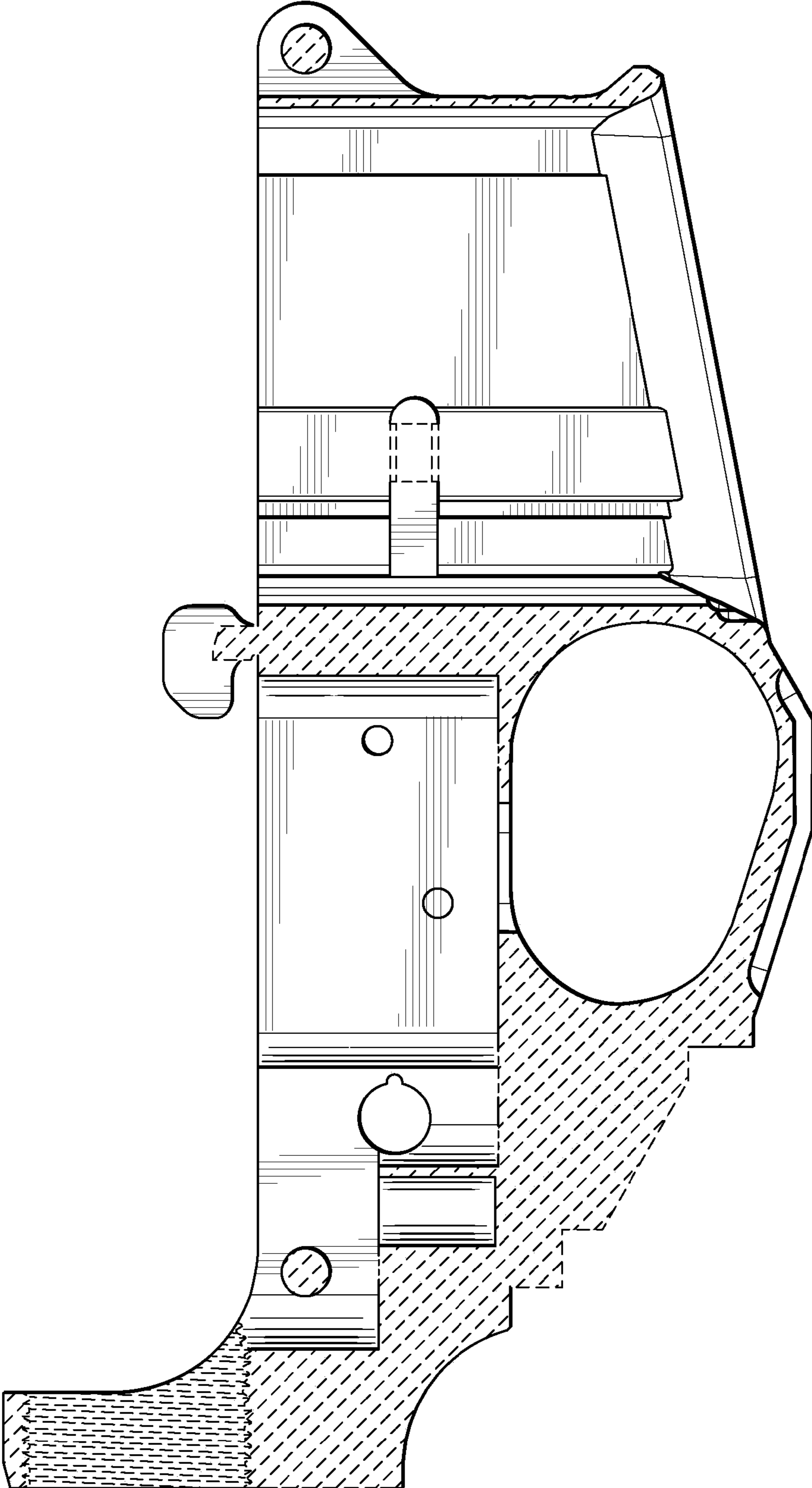


FIG. 9