



US00D773584S

(12) **United States Design Patent** (10) **Patent No.:** **US D773,584 S**
Houle (45) **Date of Patent:** **** Dec. 6, 2016**

(54) **VIBRATION ABSORBER**
(71) Applicant: **PLACEMENTS GASTON HOULE INC., Wickham (CA)**
(72) Inventor: **Gaston Houle, Wickham (CA)**
(73) Assignee: **PLACEMENTS GASTON HOULE INC., Wickham (CA)**

CA, USA) published on Feb. 11, 2015. <http://www.fsdiscountarchery.com/simsstringdeceleratornew.aspx>.

Primary Examiner — Michael A Pratt
(74) *Attorney, Agent, or Firm* — Mathieu Audet

(**) Term: **14 Years**
(21) Appl. No.: **29/524,498**
(22) Filed: **Apr. 21, 2015**
(51) **LOC (10) Cl.** **22-01**
(52) **U.S. Cl.**
USPC **D22/107**
(58) **Field of Classification Search**
USPC D22/107; D21/571, 575
CPC F41B 5/1403; F41B 5/10; F41B 5/14;
F41B 5/0031; F41B 5/00; F41B 5/1484;
F41B 5/1426; F16F 7/108
See application file for complete search history.

(57) **CLAIM**
The ornamental design for a vibration absorber, as shown.

DESCRIPTION

FIG. 1 is an isometric view of an exemplary vibration damper in a closed version thereof;
FIG. 2 is a top plan view of the exemplary vibration damper in a closed version thereof;
FIG. 3 is a bottom plan view of the exemplary vibration damper in a closed version thereof;
FIG. 4 is a front elevational view of the exemplary vibration damper in a closed version thereof;
FIG. 5 is a back elevational view of the exemplary vibration damper in a closed version thereof;
FIG. 6 is a right side elevational view of the exemplary vibration damper in a closed version thereof;
FIG. 7 is a left side elevational view of the exemplary vibration damper in a closed version thereof;
FIG. 8 is an isometric view of the exemplary vibration damper in an open version thereof;
FIG. 9 is a top plan view of the exemplary vibration damper in an open version thereof;
FIG. 10 is a bottom plan view of the exemplary vibration damper in an open version thereof;
FIG. 11 is front elevational view of the exemplary vibration damper in an open version thereof;
FIG. 12 is back elevational view of the exemplary vibration damper in an open version thereof;
FIG. 13 is a right side elevational view of the exemplary vibration damper in an open version thereof; and,
FIG. 14 is a left side elevational view of the exemplary vibration damper in an open version thereof.
The broken lines in the drawings illustrate portions of the vibration absorber which form no part of the claimed design.

(56) **References Cited**
U.S. PATENT DOCUMENTS
5,452,704 A 9/1995 Winebarger
5,595,168 A 1/1997 Martin
5,720,269 A 2/1998 Saunders
6,298,842 B1 10/2001 Sims
D454,382 S 3/2002 Sims
6,634,348 B2 10/2003 Gallops, Jr.
6,684,874 B2 2/2004 Mizek

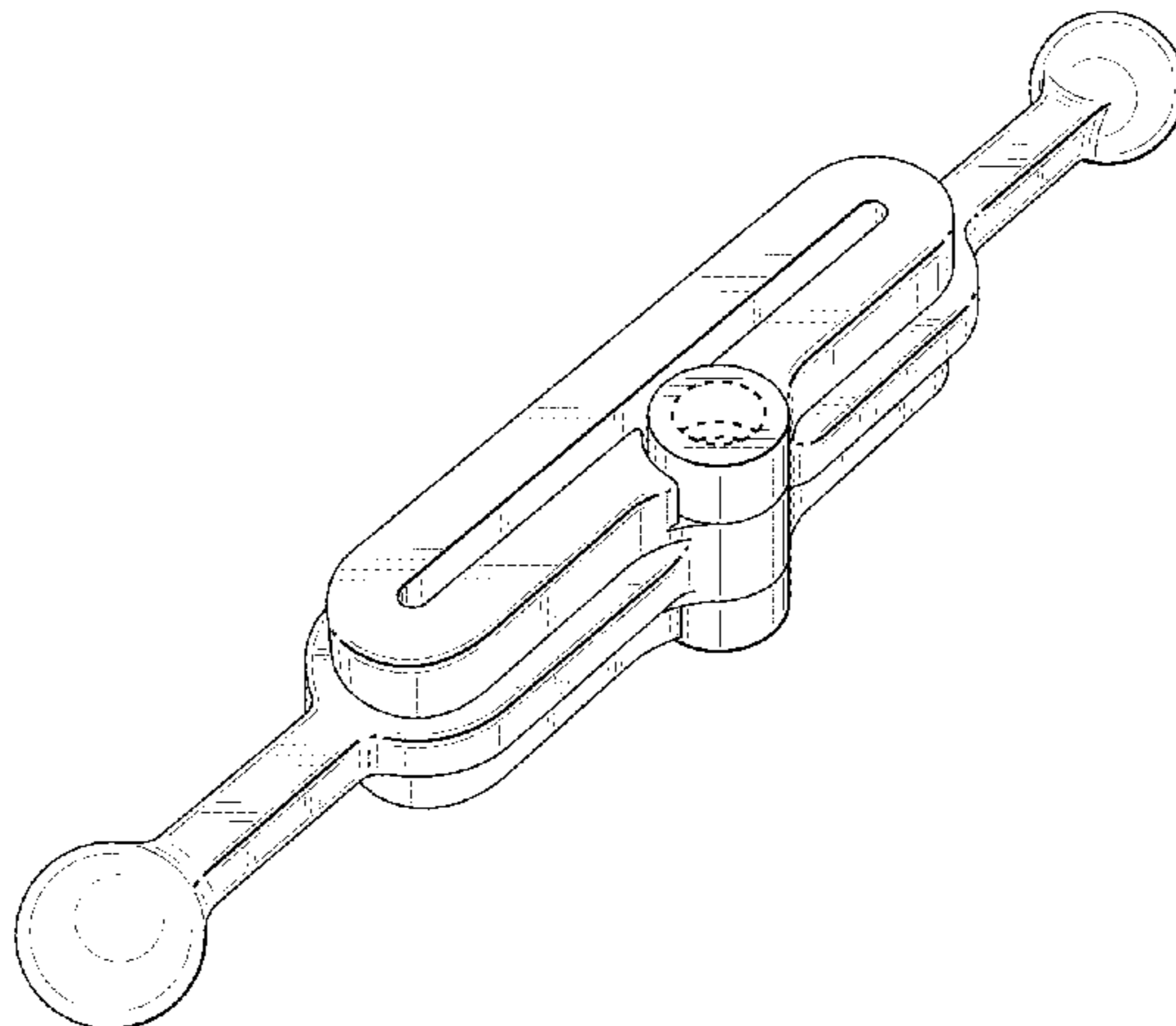
(Continued)

FOREIGN PATENT DOCUMENTS
WO WO0040916 7/2000

OTHER PUBLICATIONS

Sims String Decelerator by Archery FS Discount Archery Product, published on the website of FS Discount Archery Product (Tustin,

1 Claim, 8 Drawing Sheets



(56)

References Cited

U.S. PATENT DOCUMENTS

| | | | | | |
|----------------|---------|--------------------------|-----------------|---------|------------|
| 6,910,472 B2 | 6/2005 | Mizek | 8,839,775 B2 | 9/2014 | Wasilewski |
| 6,966,314 B2 | 11/2005 | McPherson | 8,939,139 B2 | 1/2015 | Sims |
| 7,703,449 B2 * | 4/2010 | Wright F41B 5/1426 | 2002/0088448 A1 | 7/2002 | Sims |
| | | 124/89 | 2003/0094168 A1 | 5/2003 | Sims |
| D648,410 S | 11/2011 | Sims | 2003/0121510 A1 | 7/2003 | Mizek |
| D679,357 S * | 4/2013 | Wright D22/107 | 2004/0154601 A1 | 8/2004 | Mizek |
| 8,567,381 B2 | 10/2013 | Saunders | 2009/0032005 A1 | 2/2009 | Wright |
| D692,976 S | 11/2013 | Sims | 2010/0319670 A1 | 12/2010 | Sims |
| | | | 2011/0214656 A1 | 9/2011 | Saunders |
| | | | 2013/0174825 A1 | 7/2013 | Bednar |
| | | | 2014/0041645 A1 | 2/2014 | Wasilewski |

* cited by examiner

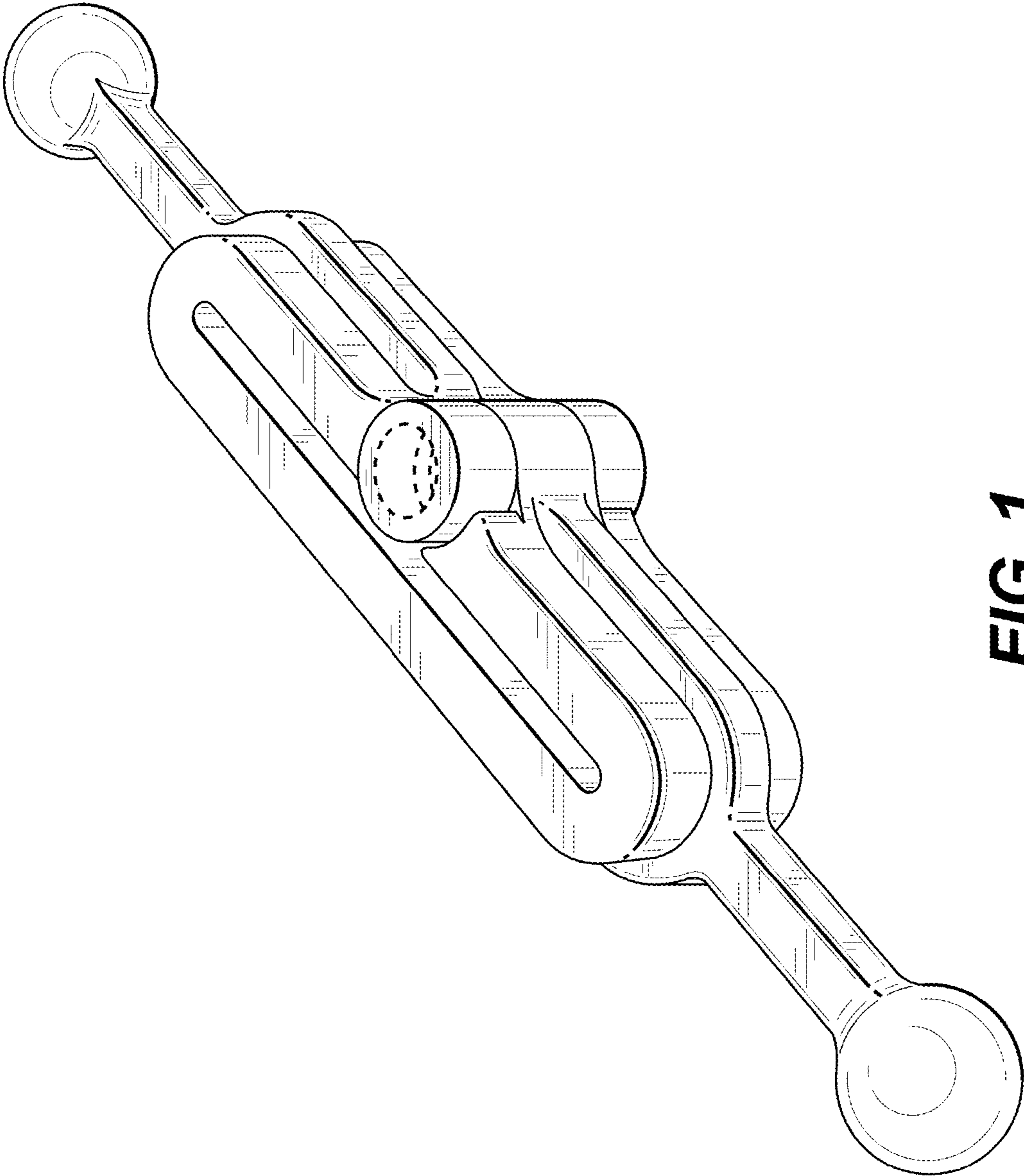


FIG. 1

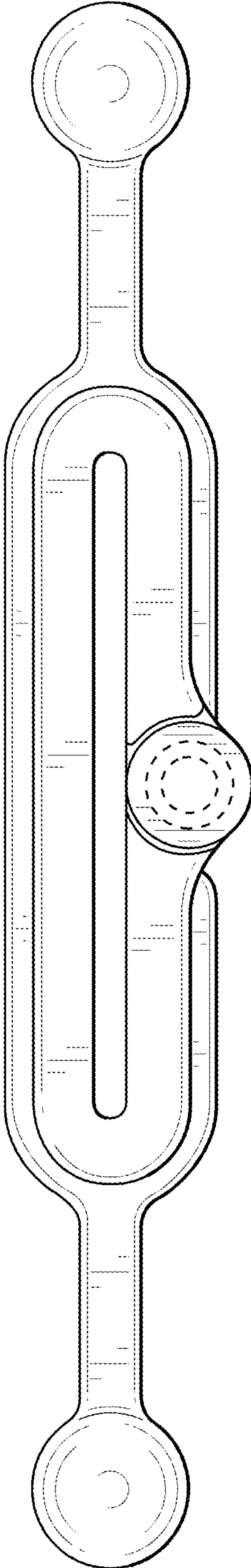


FIG. 2

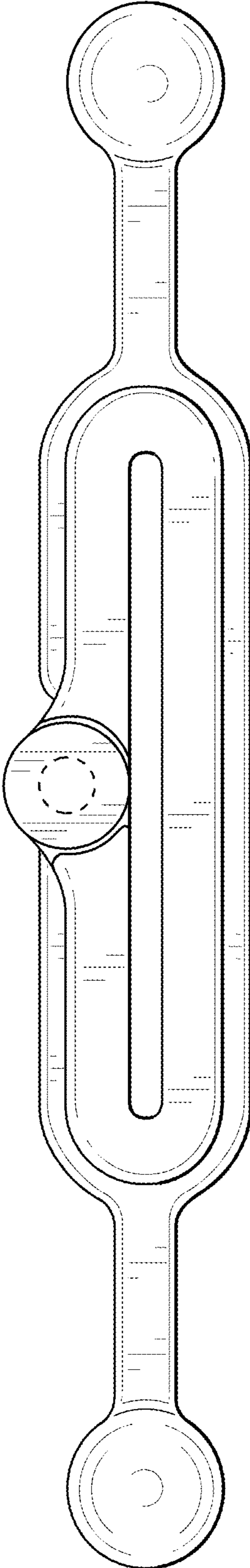


FIG. 3

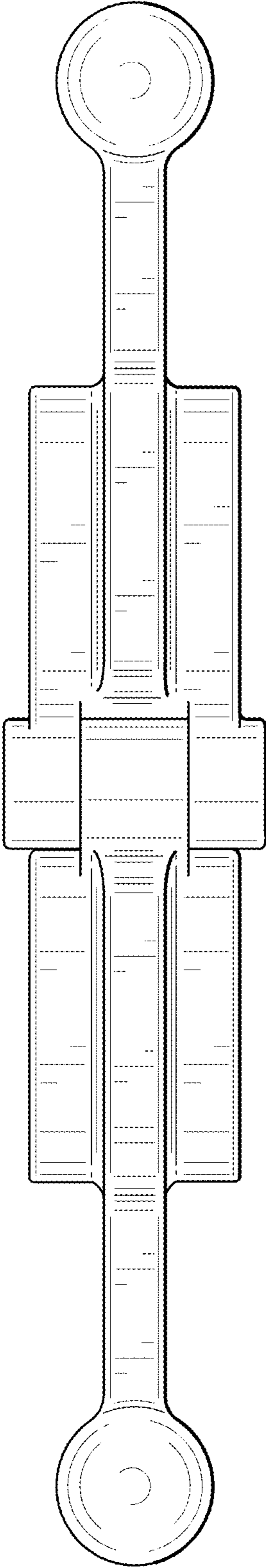


FIG. 4

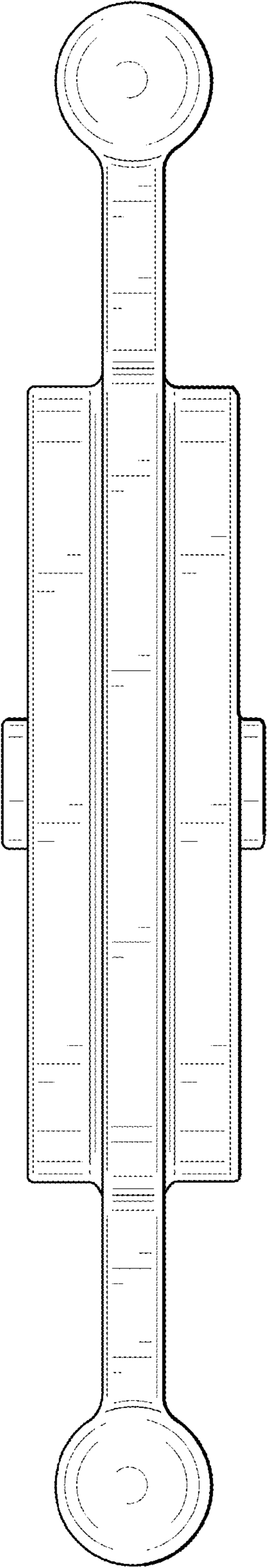


FIG. 5

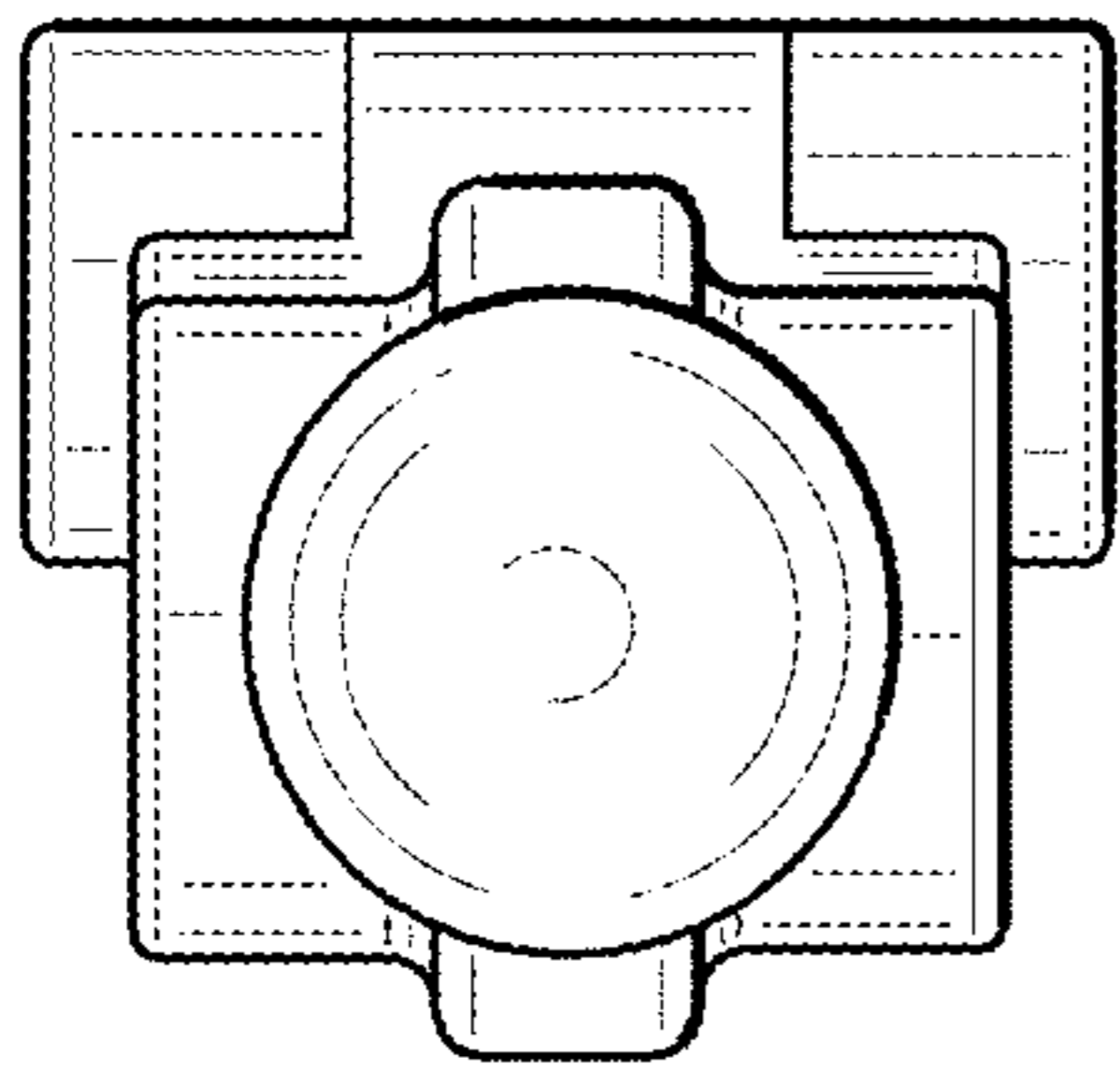


FIG. 6

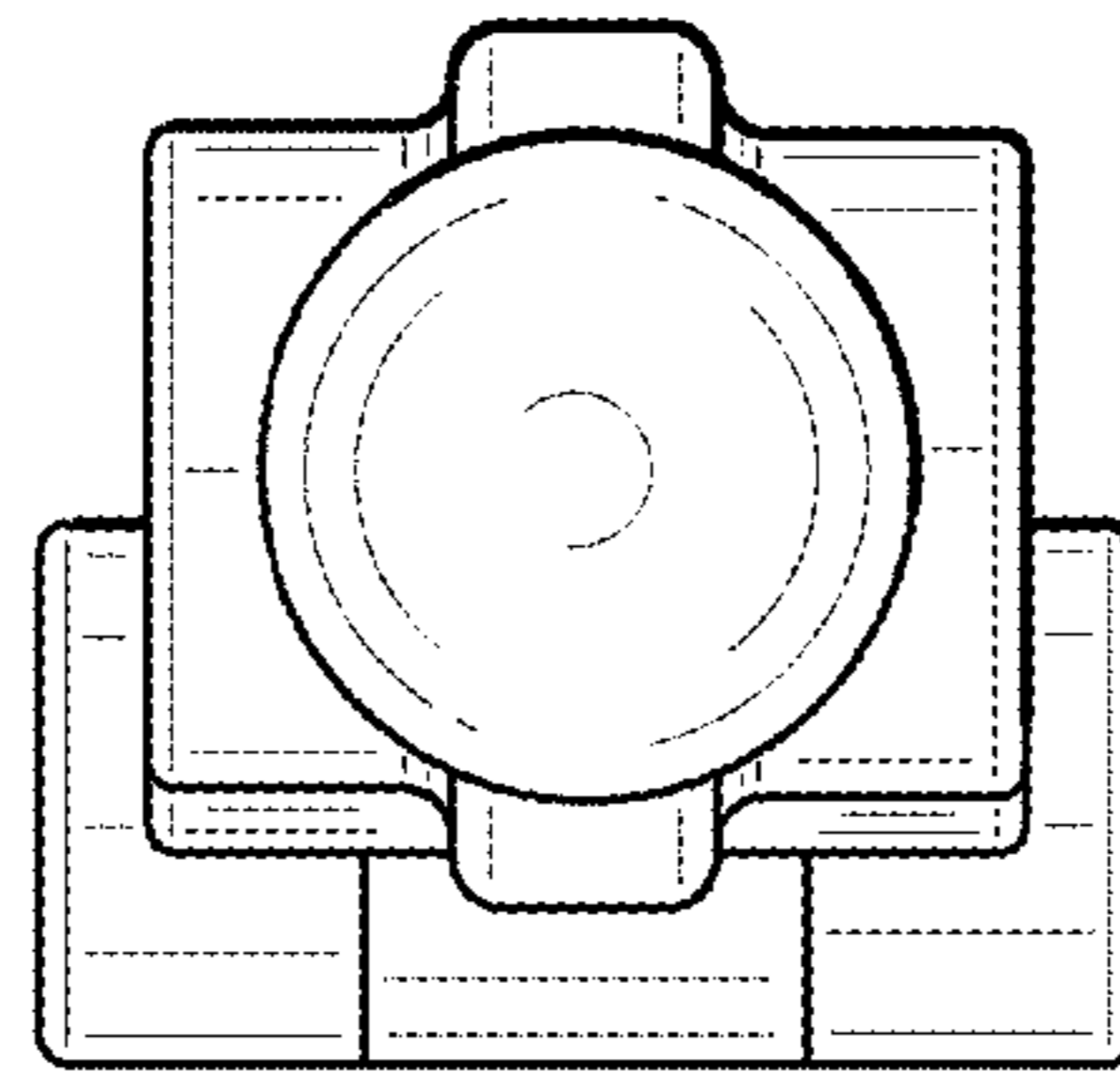


FIG. 7

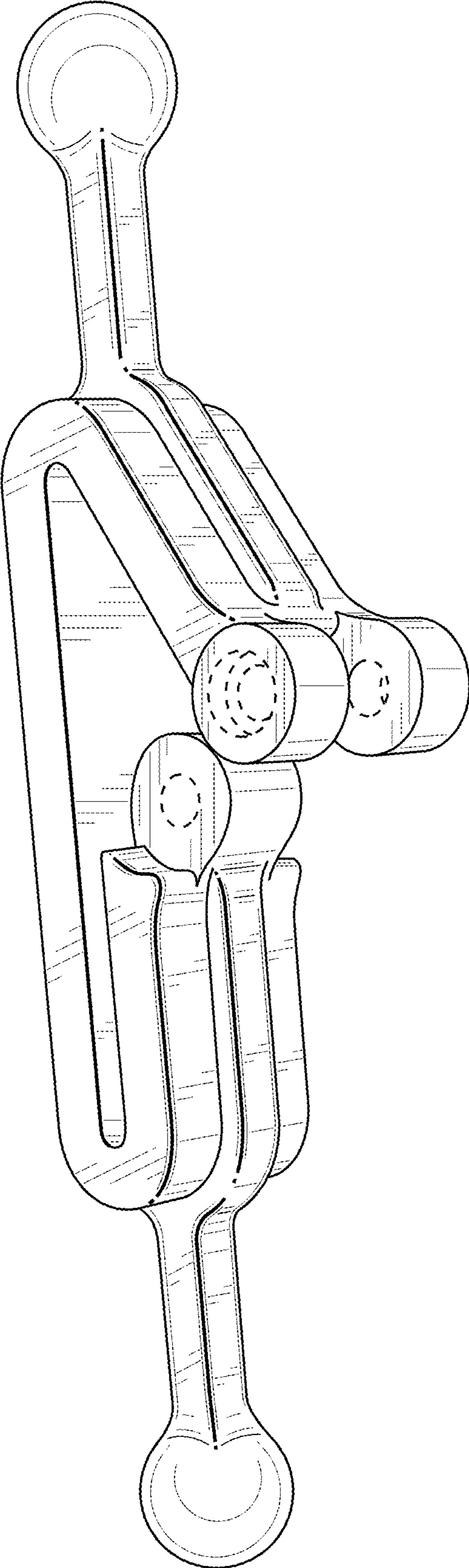


FIG. 8

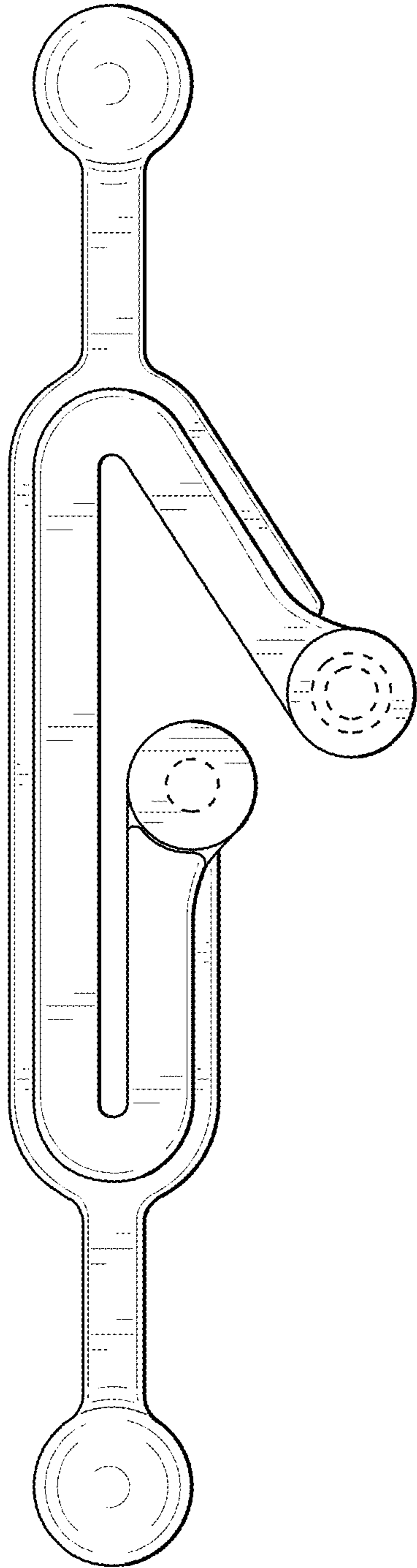


FIG. 9

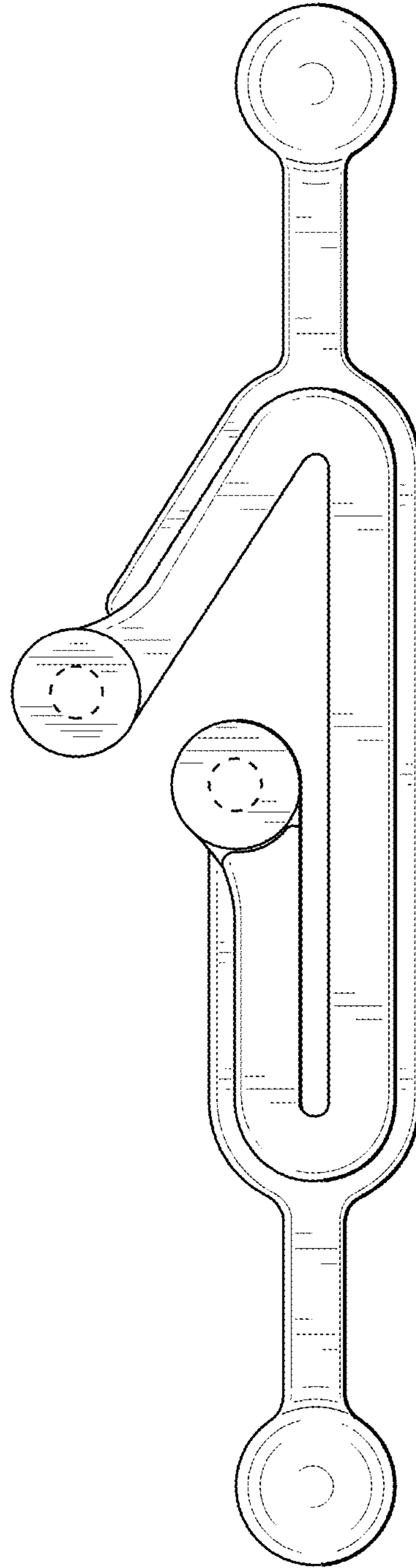


FIG. 10

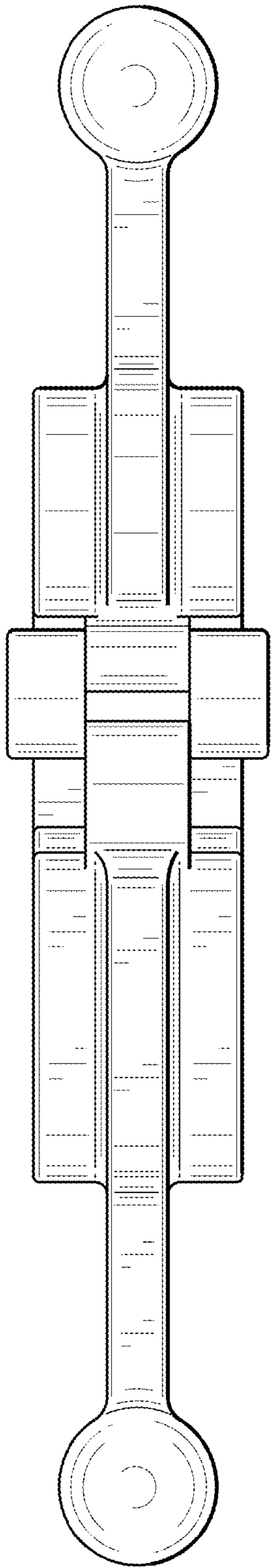


FIG. 11

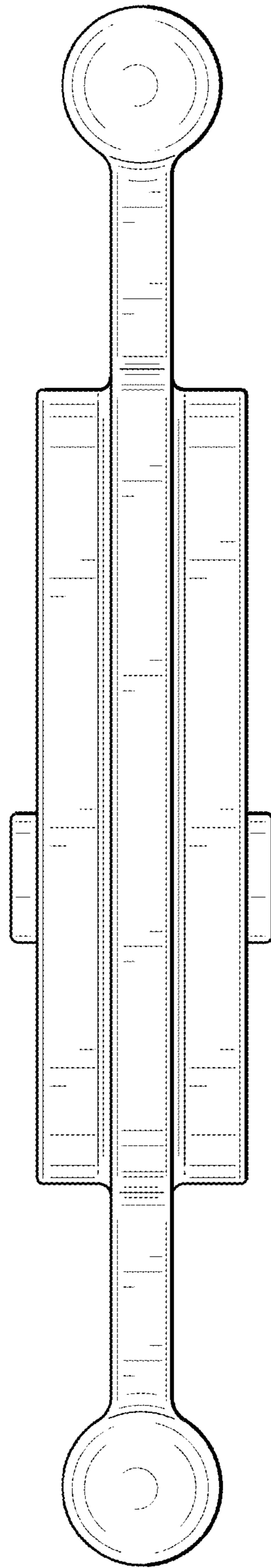


FIG. 12

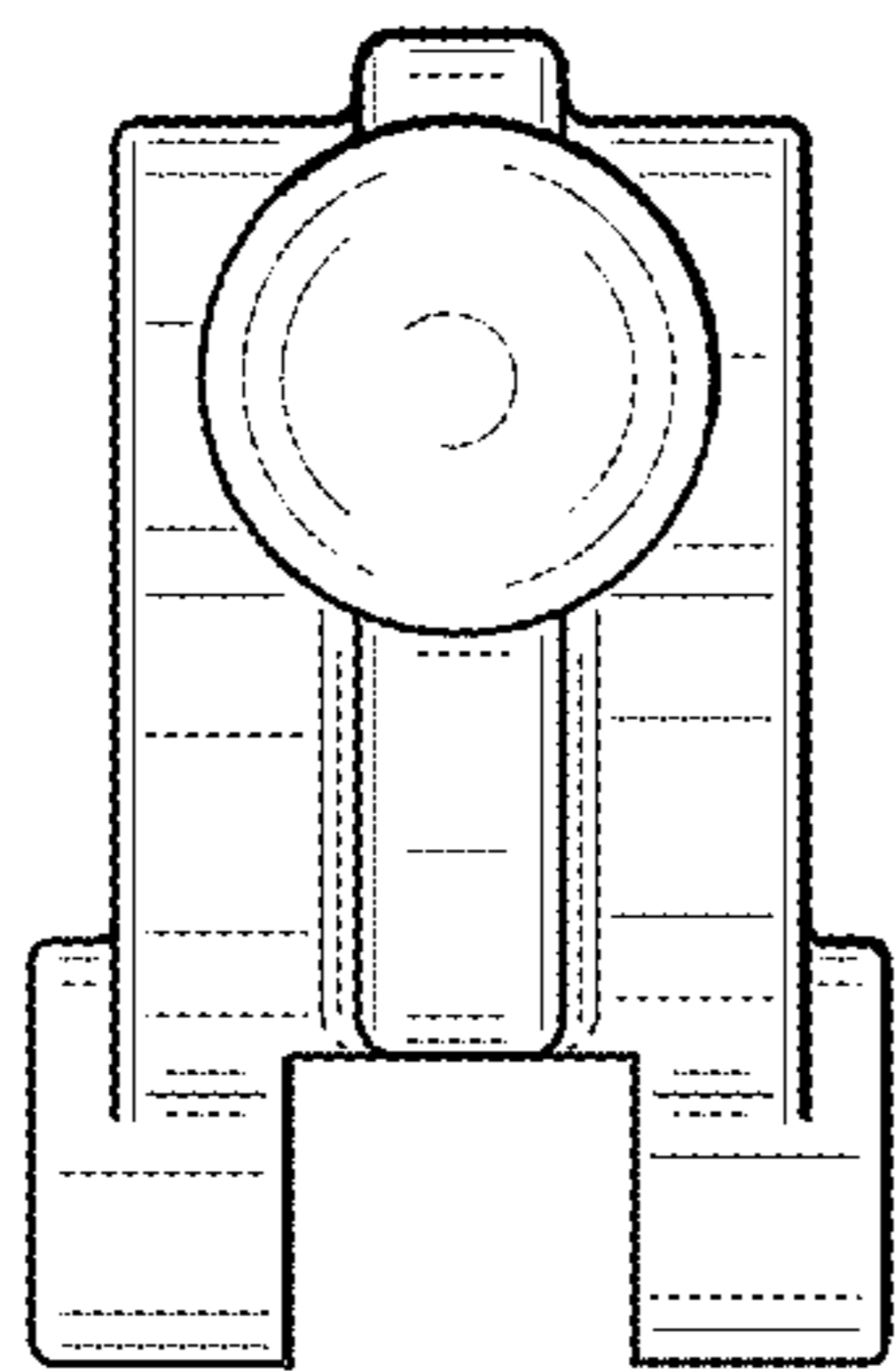


FIG. 13

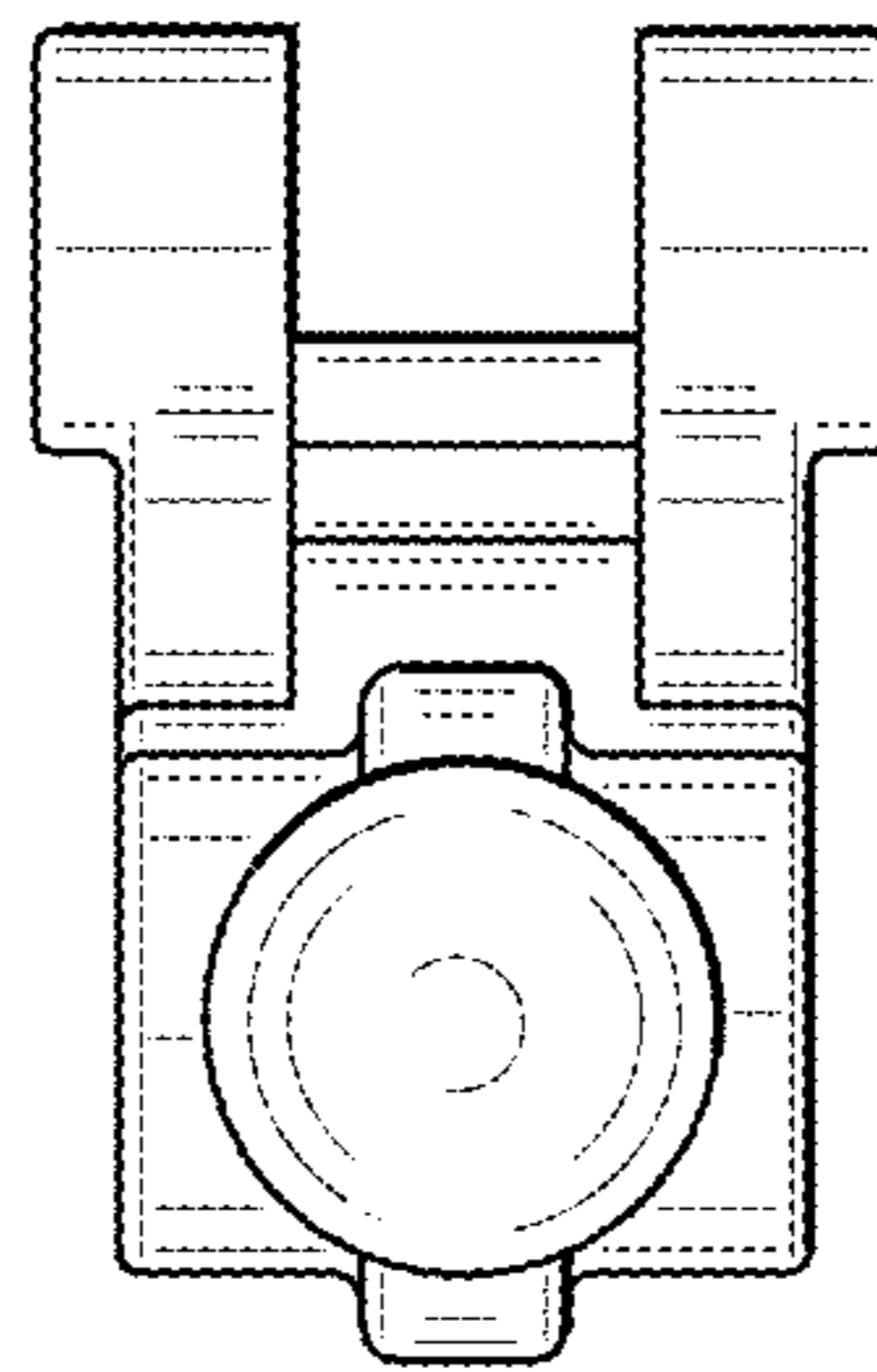


FIG. 14