



US00D773583S

(12) **United States Design Patent** (10) **Patent No.:** **US D773,583 S**
Bentcik (45) **Date of Patent:** **** Dec. 6, 2016**

- (54) **VERTICAL BOW DAMPENER**
- (71) Applicant: **Jayson Bentcik**, Spring Valley, CA (US)
- (72) Inventor: **Jayson Bentcik**, Spring Valley, CA (US)
- (73) Assignee: **365 ARCHERY, LLC**
- (**) Term: **14 Years**
- (21) Appl. No.: **29/519,988**
- (22) Filed: **Mar. 10, 2015**
- (51) **LOC (10) Cl.** **22-01**
- (52) **U.S. Cl.**
USPC **D22/107**
- (58) **Field of Classification Search**
USPC D22/107; D21/571, 575
CPC F41B 5/10; F41B 5/1403; F41B 5/105;
F41B 5/14; F41B 5/123
See application file for complete search history.

D442,665 S *	5/2001	Caudle	D22/107
D446,278 S *	8/2001	Fitzgerald, Jr.	D22/107
D469,839 S *	2/2003	Gibbs	D22/107
D561,292 S *	2/2008	Butcher	D22/107
D610,219 S *	2/2010	Harris	D22/107
D662,565 S *	6/2012	Burt	D22/107
2015/0184973 A1 *	7/2015	Martens	F41B 5/1426 124/23.1

* cited by examiner

Primary Examiner — Michael A Pratt
(74) *Attorney, Agent, or Firm* — Gary L. Eastman, Esq.

(57) **CLAIM**

The ornamental design for a vertical bow dampener, as shown and described.

DESCRIPTION

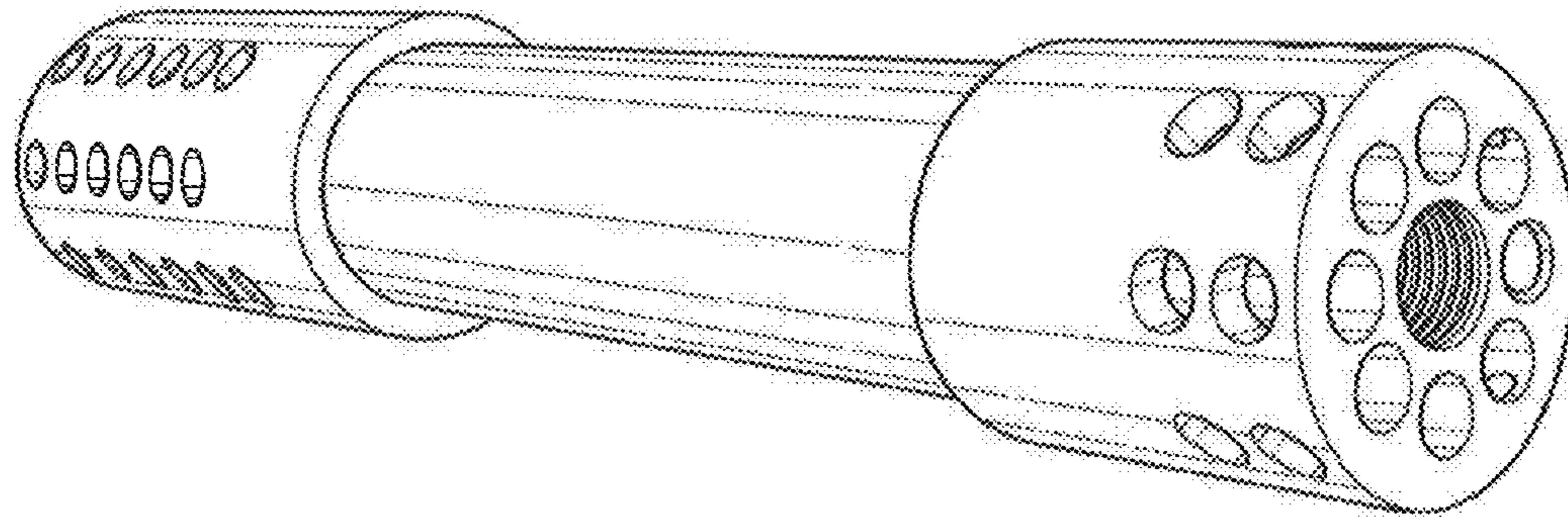
FIG. 1 is a top, front perspective view of the vertical bow dampener showing my new design;
 FIG. 2 is a bottom, rear perspective view of the vertical bow dampener;
 FIG. 3 is a top plan view of the vertical bow dampener;
 FIG. 4 is a bottom plan view of the vertical bow dampener;
 FIG. 5 is a right side elevational view of the vertical bow dampener;
 FIG. 6 is a left side elevational view of the vertical bow dampener;
 FIG. 7 is a front elevational view of the vertical bow dampener; and,
 FIG. 8 is a back elevational view of the vertical bow dampener.

1 Claim, 3 Drawing Sheets

(56) **References Cited**

U.S. PATENT DOCUMENTS

4,893,606 A *	1/1990	Sisko	F41B 5/1426 124/89
5,735,257 A *	4/1998	Walk	F41B 5/1426 124/89



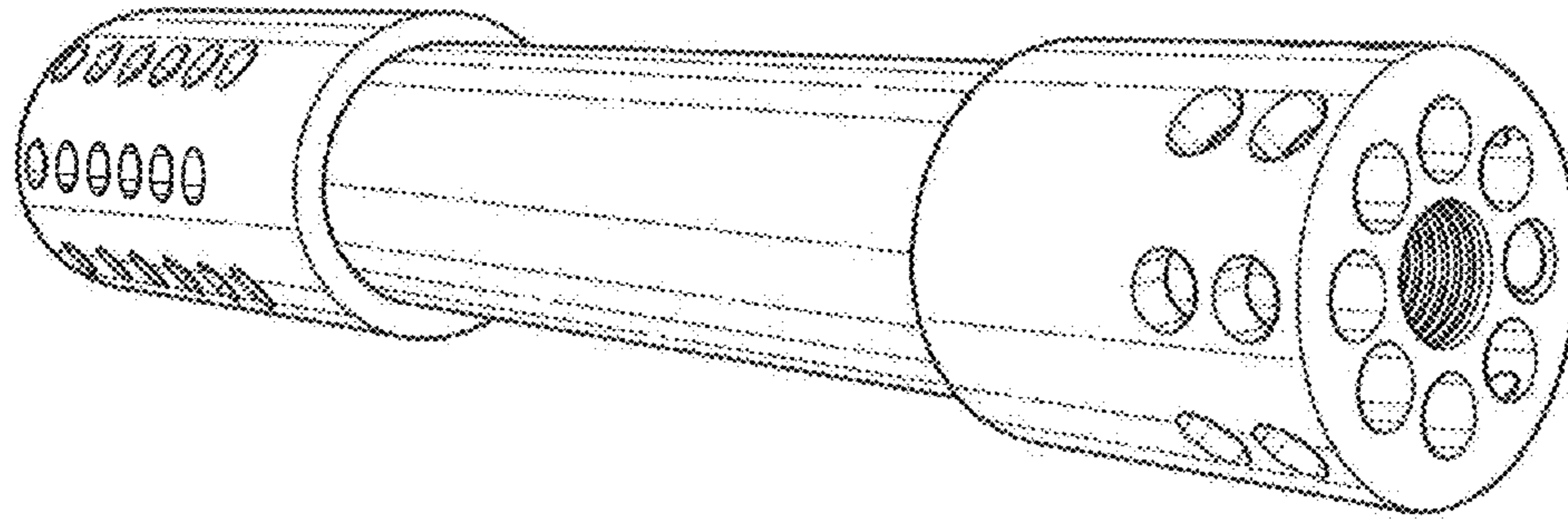


FIG. 1

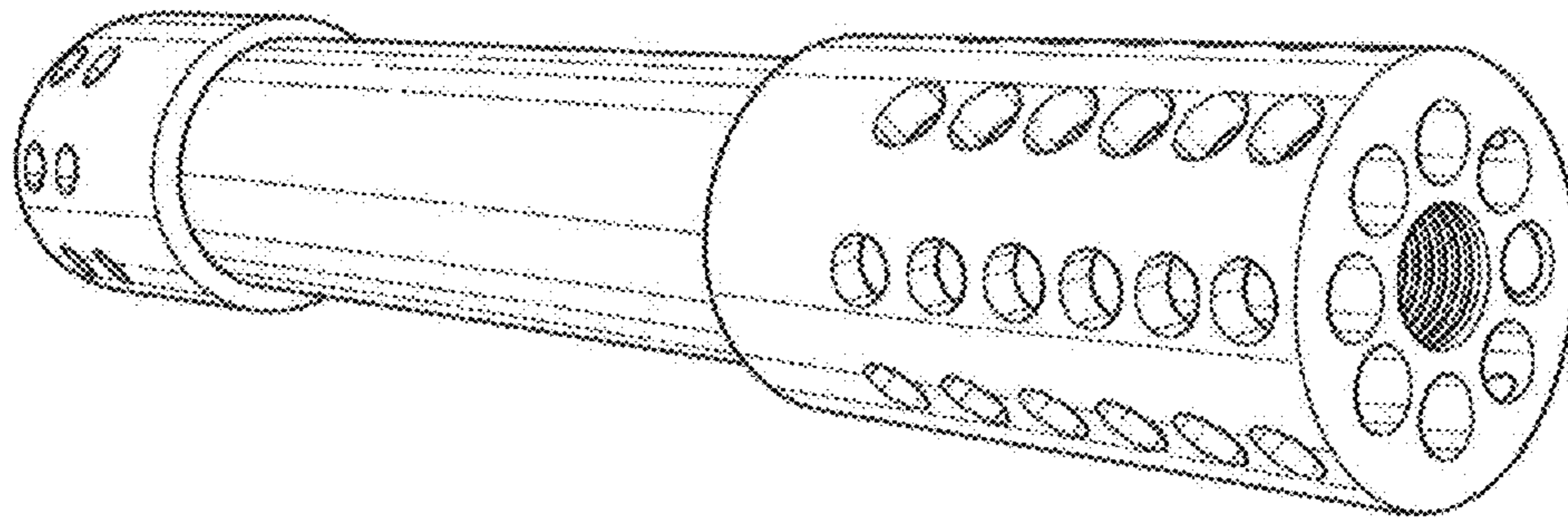


FIG. 2

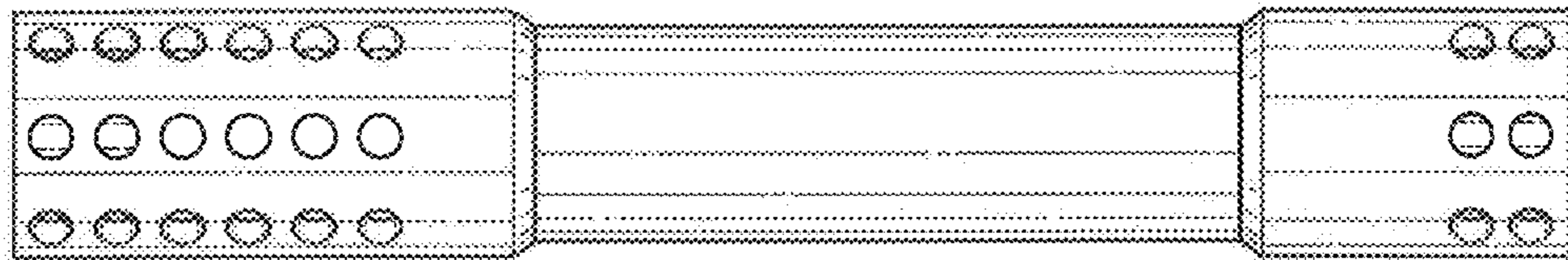


FIG. 3

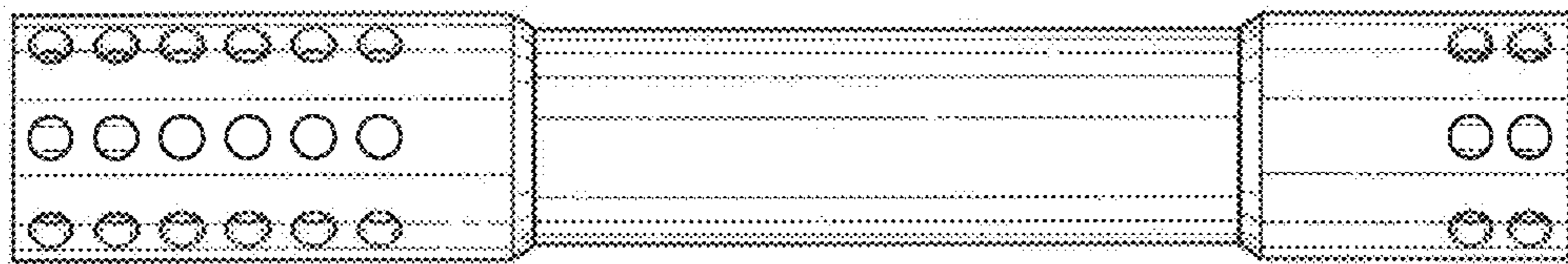


FIG. 4

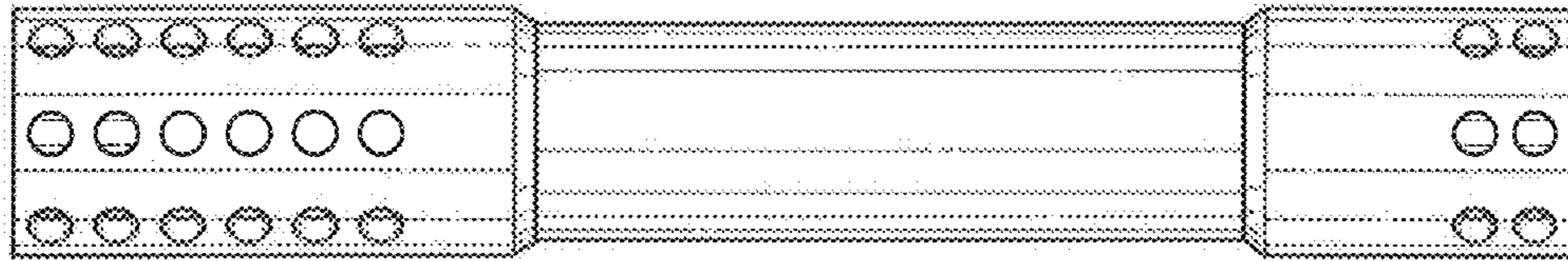


FIG. 5

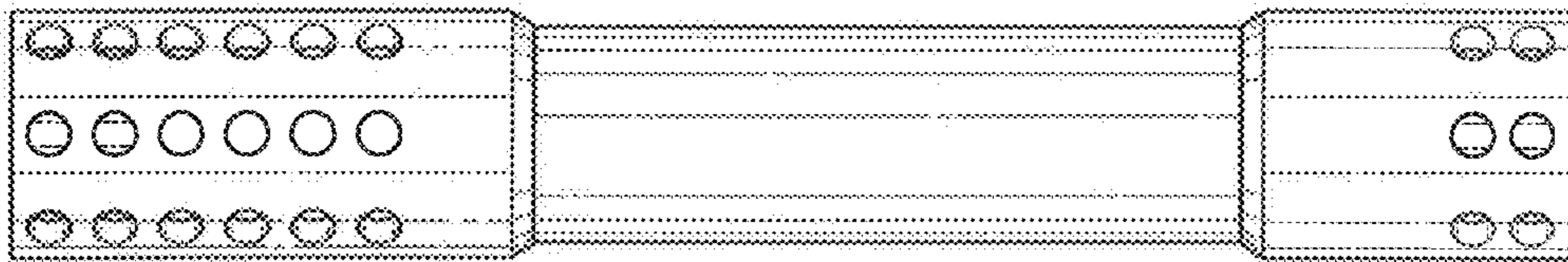


FIG. 6

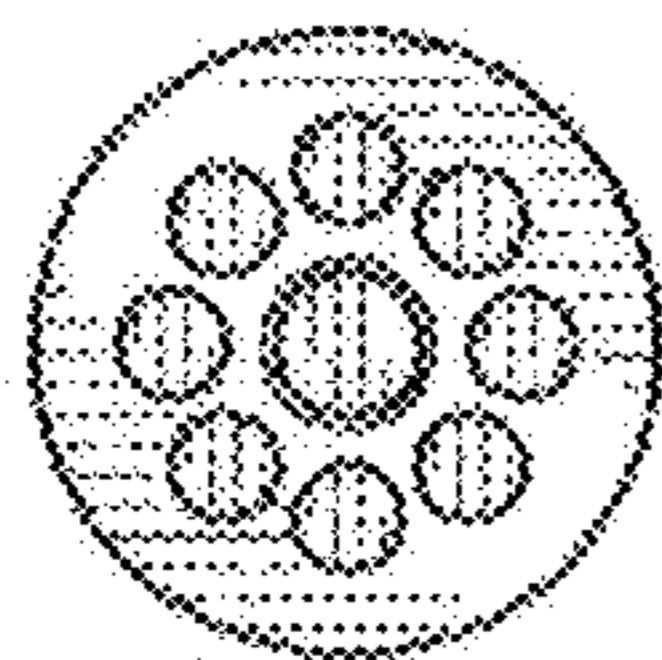


FIG. 7

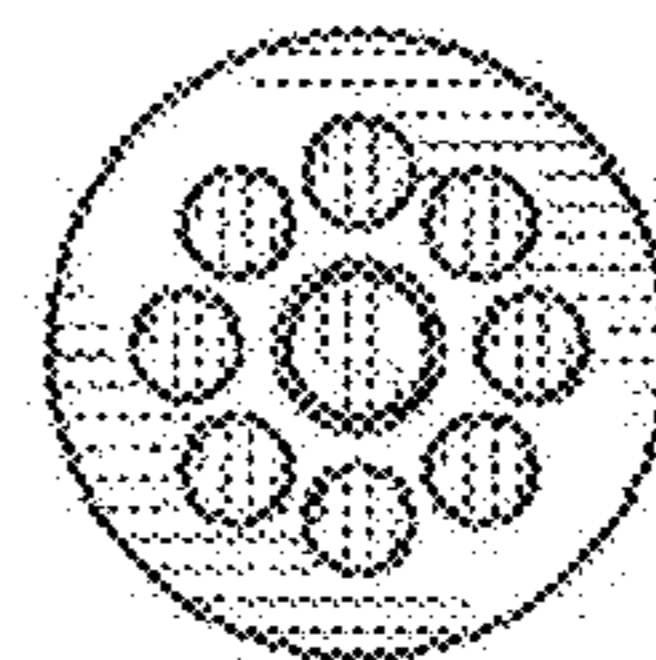


FIG. 8