

US00D773581S

(12) **United States Design Patent**  
**Brooks**

(10) **Patent No.:** **US D773,581 S**

(45) **Date of Patent:** **\*\* Dec. 6, 2016**

(54) **ARCHERY BOW HOLDER**

(71) Applicant: **Kevin L. Brooks**, Leitchfield, KY (US)

(72) Inventor: **Kevin L. Brooks**, Leitchfield, KY (US)

(\*\*) Term: **14 Years**

(21) Appl. No.: **29/474,233**

(22) Filed: **Jul. 16, 2014**

(51) **LOC (10) Cl.** ..... **22-01**

(52) **U.S. Cl.**

USPC ..... **D22/107**

(58) **Field of Classification Search**

USPC ..... D22/107, 108-110, 114, 199; D6/522

CPC ..... F41A 23/10; F41A 23/18; F41A 17/44;

F41A 23/16; F41A 29/00

See application file for complete search history.

(56) **References Cited**

**U.S. PATENT DOCUMENTS**

1,562,343	A	11/1925	Post	
2,447,444	A	8/1948	Waite	
2,901,789	A	9/1959	Frank	
3,688,454	A	9/1972	Wolfearius	
D260,674	S *	9/1981	Simmons	D22/107
D299,199	S *	1/1989	Rogowski	D22/107
D375,645	S *	11/1996	Foster	D6/552
D422,333	S *	4/2000	Foster	D22/100
6,698,132	B1	3/2004	Brint	
6,810,630	B2	11/2004	Chizmas	
6,901,693	B1	6/2005	Crowe	
6,948,694	B1 *	9/2005	Gilbert	F41B 5/14 124/23.1

D550,071	S	9/2007	Powell	
8,230,638	B1	7/2012	Dunaway	
D700,942	S *	3/2014	Smith	D22/108
D714,414	S *	9/2014	Wright, III	D22/107
D717,387	S *	11/2014	Wright	D22/107
9,347,733	B2	5/2016	Brooks	
2005/0268522	A1	12/2005	Foster	

\* cited by examiner

*Primary Examiner* — Michael A Pratt

(74) *Attorney, Agent, or Firm* — Carrithers Law Office, PLLC

(57) **CLAIM**

The ornamental design for an archery bow holder, as shown and described.

**DESCRIPTION**

FIG. 1 is a perspective view of an archery bow holder showing my new design;

FIG. 2 is a front plan view thereof;

FIG. 3 is a left side view thereof;

FIG. 4 is a rear plan view thereof;

FIG. 5 is a top plan view thereof;

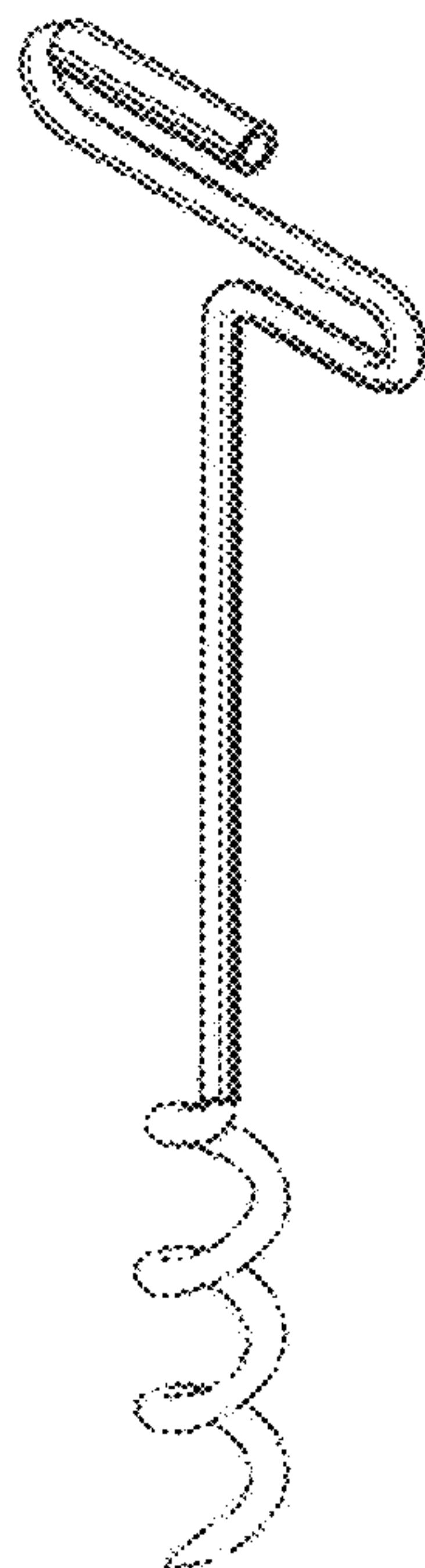
FIG. 6 is a bottom plan view thereof;

FIG. 7 is a right side view thereof; and,

FIG. 8 is a perspective view of an alternate configuration of FIGS. 1 through 7.

The broken lines shown in FIGS. 1 through 8 represent portions of the archery bow holder that form no part of the claimed design. The broken lines showing a bow in FIG. 8 represents environment and does not form a part of the claimed design.

**1 Claim, 3 Drawing Sheets**



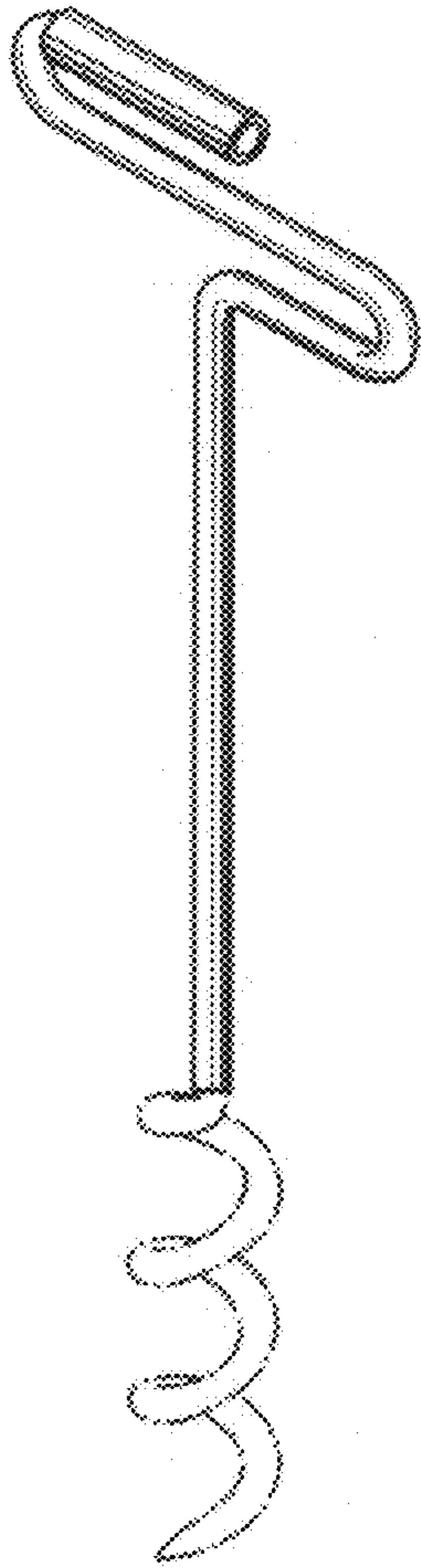


FIG. 1

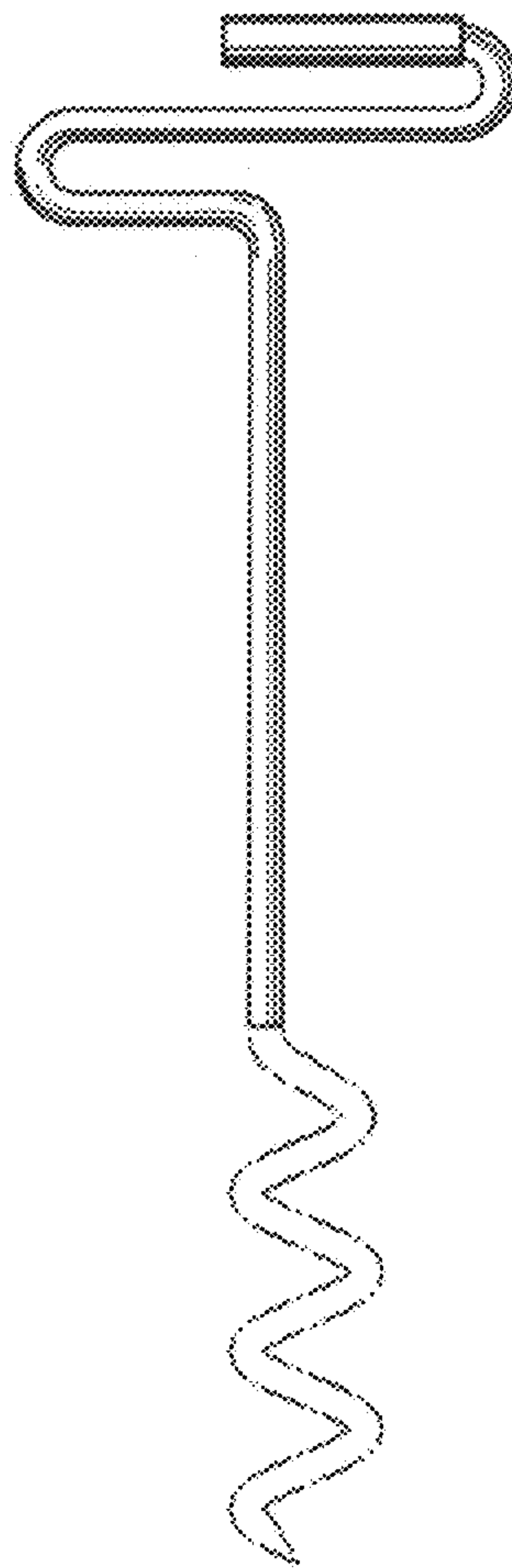


FIG. 2

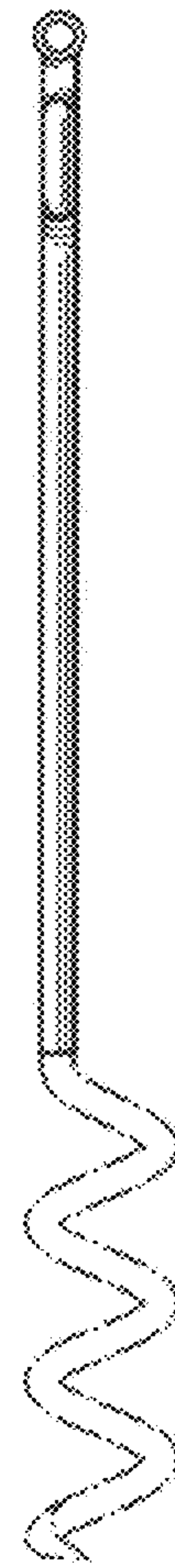


FIG. 3

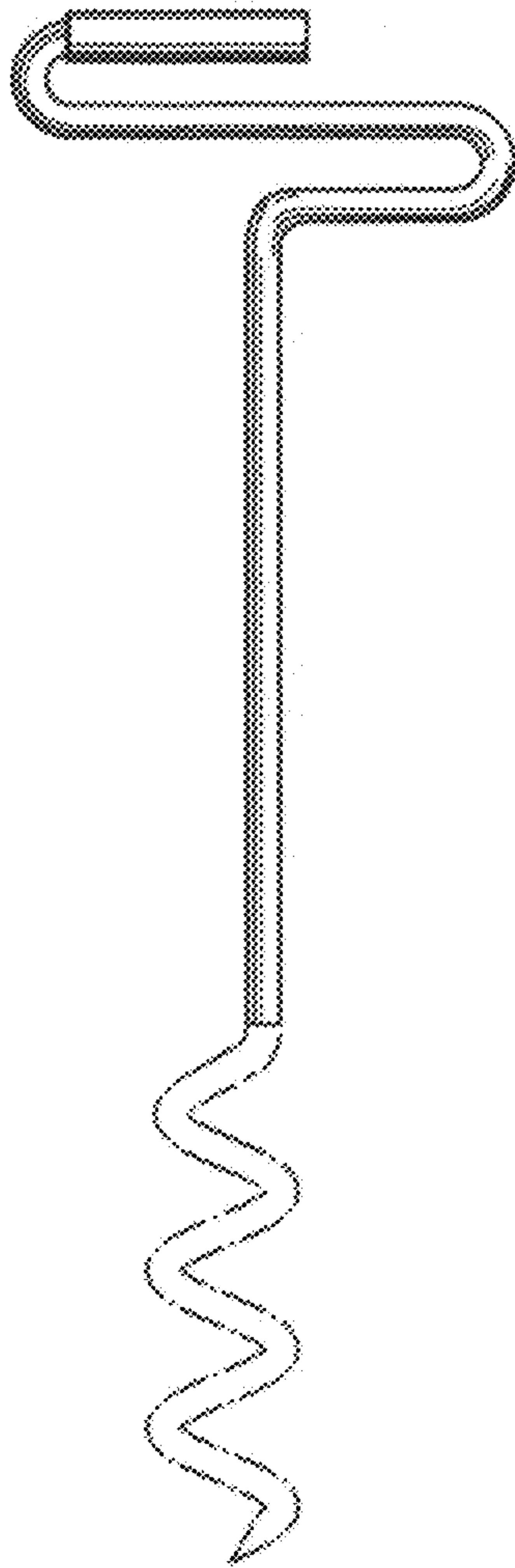


FIG. 4

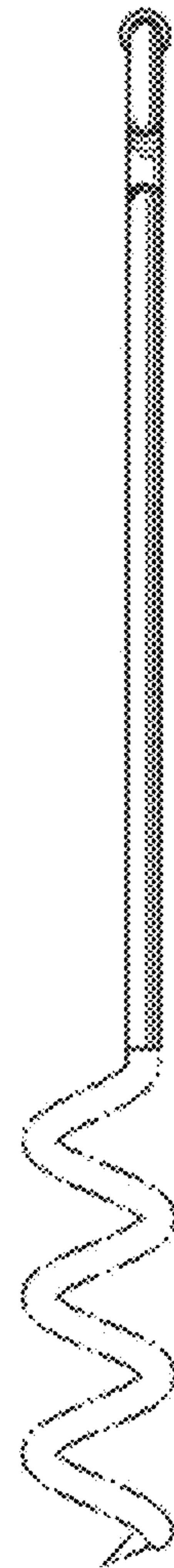


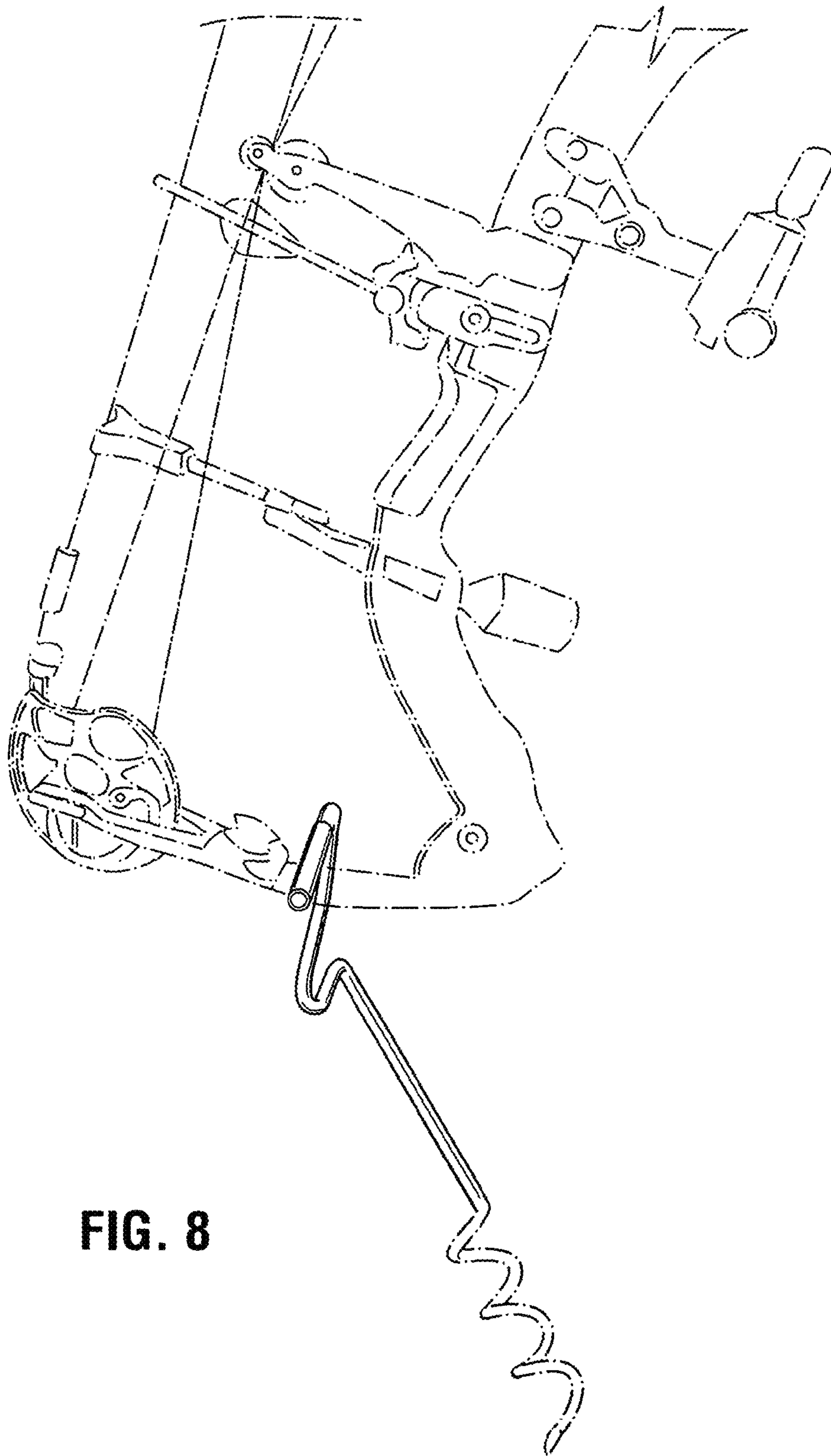
FIG. 7



FIG. 5



FIG. 6



**FIG. 8**