



US00D773578S

(12) **United States Design Patent** (10) **Patent No.:** **US D773,578 S**  
**Gerut** (45) **Date of Patent:** **\*\* Dec. 6, 2016**

(54) **BASEBALL TRAINING AID**  
(71) Applicant: **Joseph Gerut**, Oak Park, IL (US)  
(72) Inventor: **Joseph Gerut**, Oak Park, IL (US)  
(\*\*) Term: **15 Years**  
(21) Appl. No.: **29/531,768**  
(22) Filed: **Jun. 29, 2015**  
(51) **LOC (10) Cl.** ..... **21-02**  
(52) **U.S. Cl.**  
USPC ..... **D21/780**  
(58) **Field of Classification Search**  
USPC ..... D21/315, 356, 698, 699, 705, 706,  
780,D21/792, 800; D10/46, 46.1, 62, 70,  
71; D6/588; D19/59  
CPC ..... A63B 69/0002; A63B 69/0013; A63B  
69/0075; A63B 69/3661; A63B 69/3667;  
A63B 2069/0002; A63B  
2069/0004; A63B 2069/0006; A63B  
2069/0008; A63B 2208/0204; A63B  
2208/12; A63B 71/06; A63B  
71/0602; A63B 71/0694; A63B 63/00;  
A63B 69/0097  
See application file for complete search history.

5,642,880 A 7/1997 Wiseman  
6,102,818 A 8/2000 Hamilton  
6,238,307 B1 \* 5/2001 Owen ..... A63B 69/0075  
473/417  
D451,566 S 12/2001 De Chenne  
D478,953 S 8/2003 Nobriga  
D479,295 S \* 9/2003 Vesledahl ..... D21/780  
D518,136 S \* 3/2006 Myslinski ..... D21/686  
7,090,599 B2 8/2006 Hedgepath  
D538,373 S \* 3/2007 Hedgepath ..... D21/780  
7,354,360 B1 \* 4/2008 Eckstein ..... A63B 69/0002  
473/417  
D595,382 S 6/2009 Richard  
D634,385 S 3/2011 Parrish, Jr.  
7,896,759 B2 3/2011 Jackson  
8,226,504 B1 7/2012 Lozado  
8,821,322 B1 \* 9/2014 Jorgens ..... A63B 69/0075  
473/417

(Continued)

*Primary Examiner* — Catherine Tuttle  
(74) *Attorney, Agent, or Firm* — John F. Rollins

(57) **CLAIM**

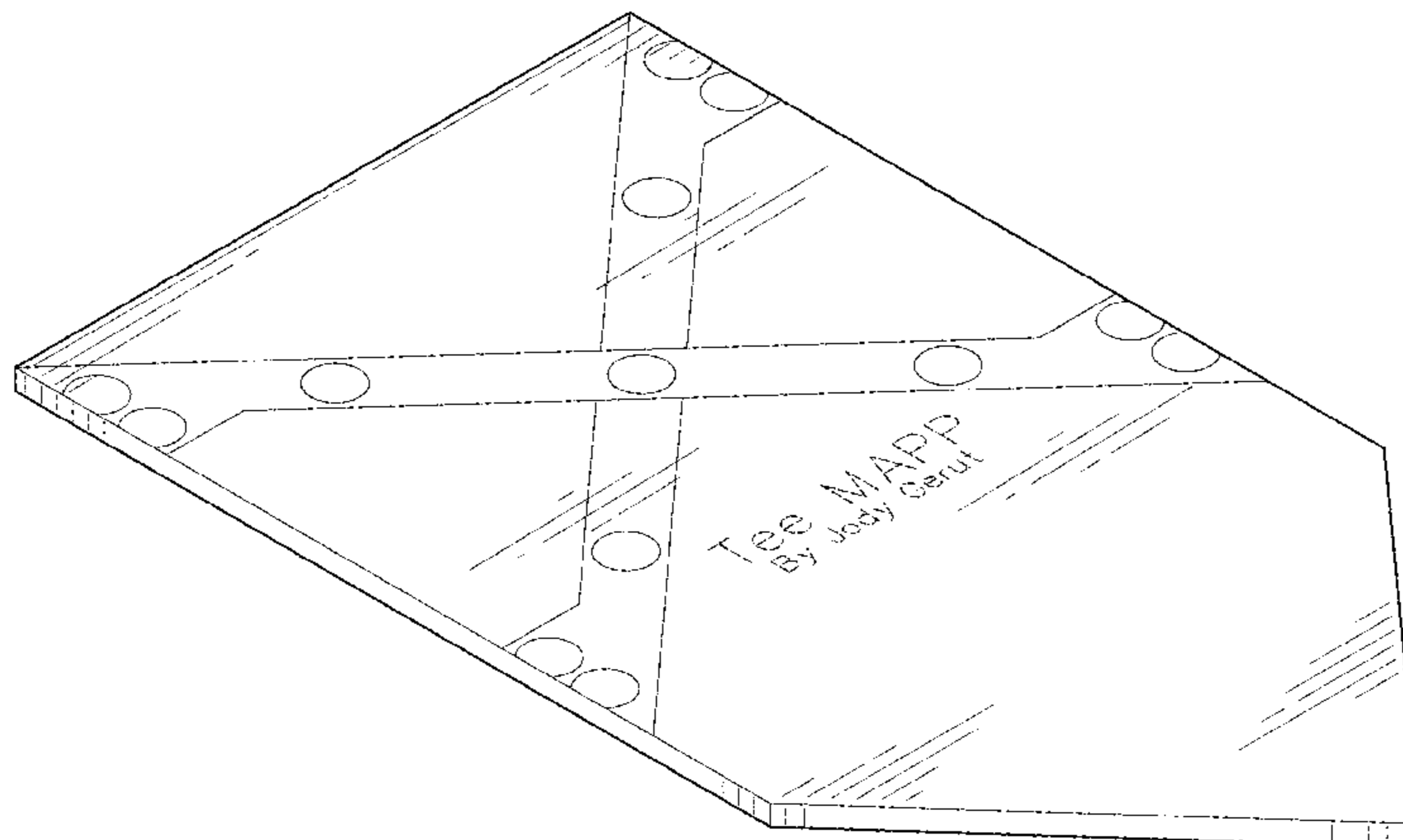
The ornamental design for a baseball training aid, as shown and described.

**DESCRIPTION**

FIG. 1 is a left front perspective of a baseball training aid showing my new design;  
FIG. 2 is a top view thereof;  
FIG. 3 is a bottom view thereof;  
FIG. 4 is a right side view thereof;  
FIG. 5 is left side view thereof;  
FIG. 6 is a rear view thereof; and,  
FIG. 7 is a front view thereof.  
The broken lines are for illustration purposes only and form no part of the claimed design.  
The “Tee Mapp” logo shown in FIG. 1 of the drawings, in broken lines, is a trademark owned by Joseph Gerut.

**1 Claim, 4 Drawing Sheets**

(56) **References Cited**  
U.S. PATENT DOCUMENTS  
4,227,691 A \* 10/1980 Lefebvre ..... A63B 69/0075  
473/417  
4,962,924 A \* 10/1990 James ..... A63B 69/0075  
473/417  
4,989,866 A \* 2/1991 Dill ..... A63B 69/0075  
473/417  
5,000,448 A \* 3/1991 Anderson ..... A63B 69/0013  
473/501  
5,330,176 A 7/1994 Cagney, Jr.  
5,467,977 A \* 11/1995 Beck ..... A63B 69/0013  
473/497  
5,536,004 A 7/1996 Wiseman et al.



(56)

**References Cited**

U.S. PATENT DOCUMENTS

D742,982 S \* 11/2015 Menard ..... D21/780  
2003/0181269 A1\* 9/2003 Griffin ..... A63B 69/0013  
473/497  
2004/0005942 A1\* 1/2004 Wang ..... A63B 69/0013  
473/500  
2004/0266562 A1\* 12/2004 Gowan ..... A63B 69/407  
473/416

\* cited by examiner

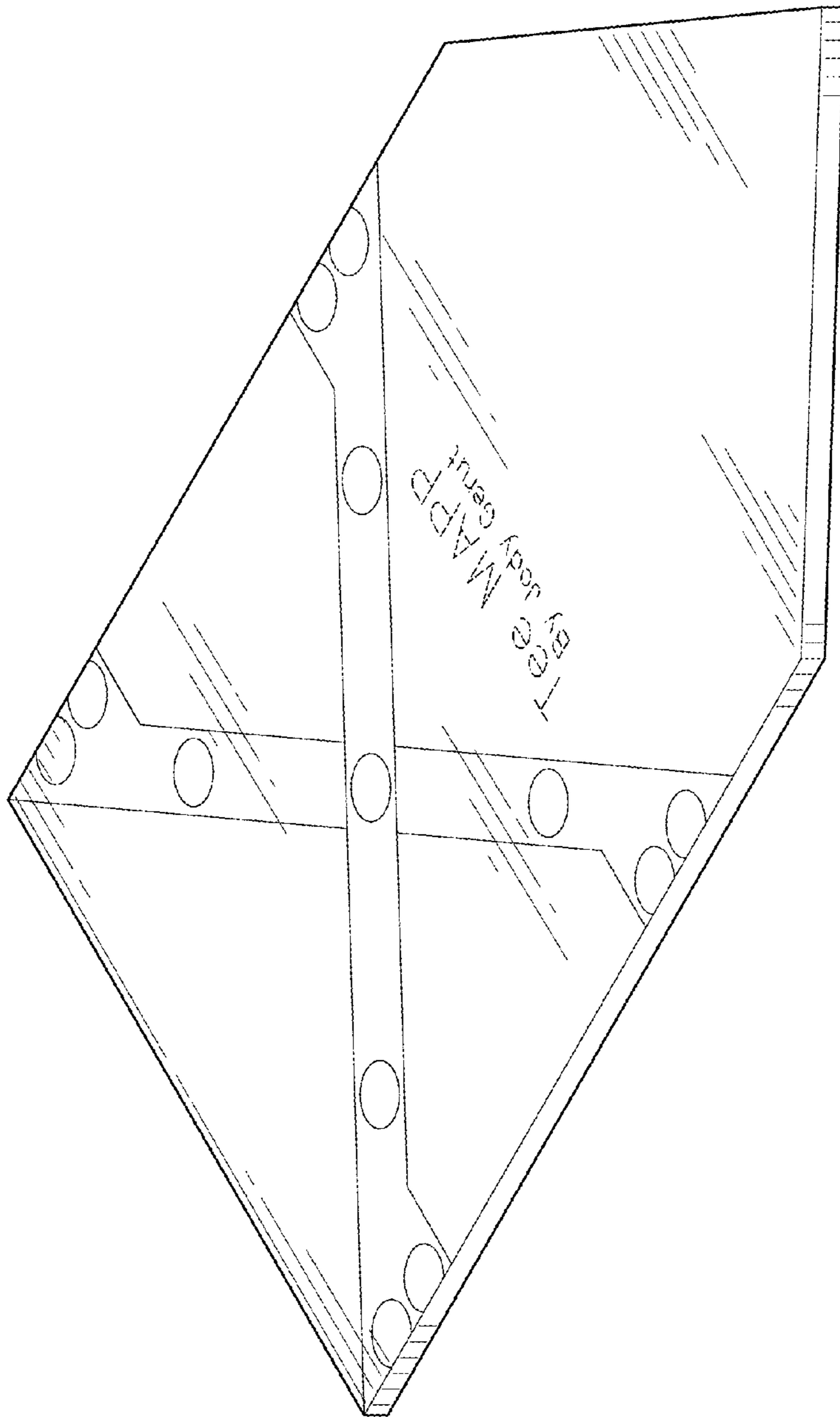


FIG. 1

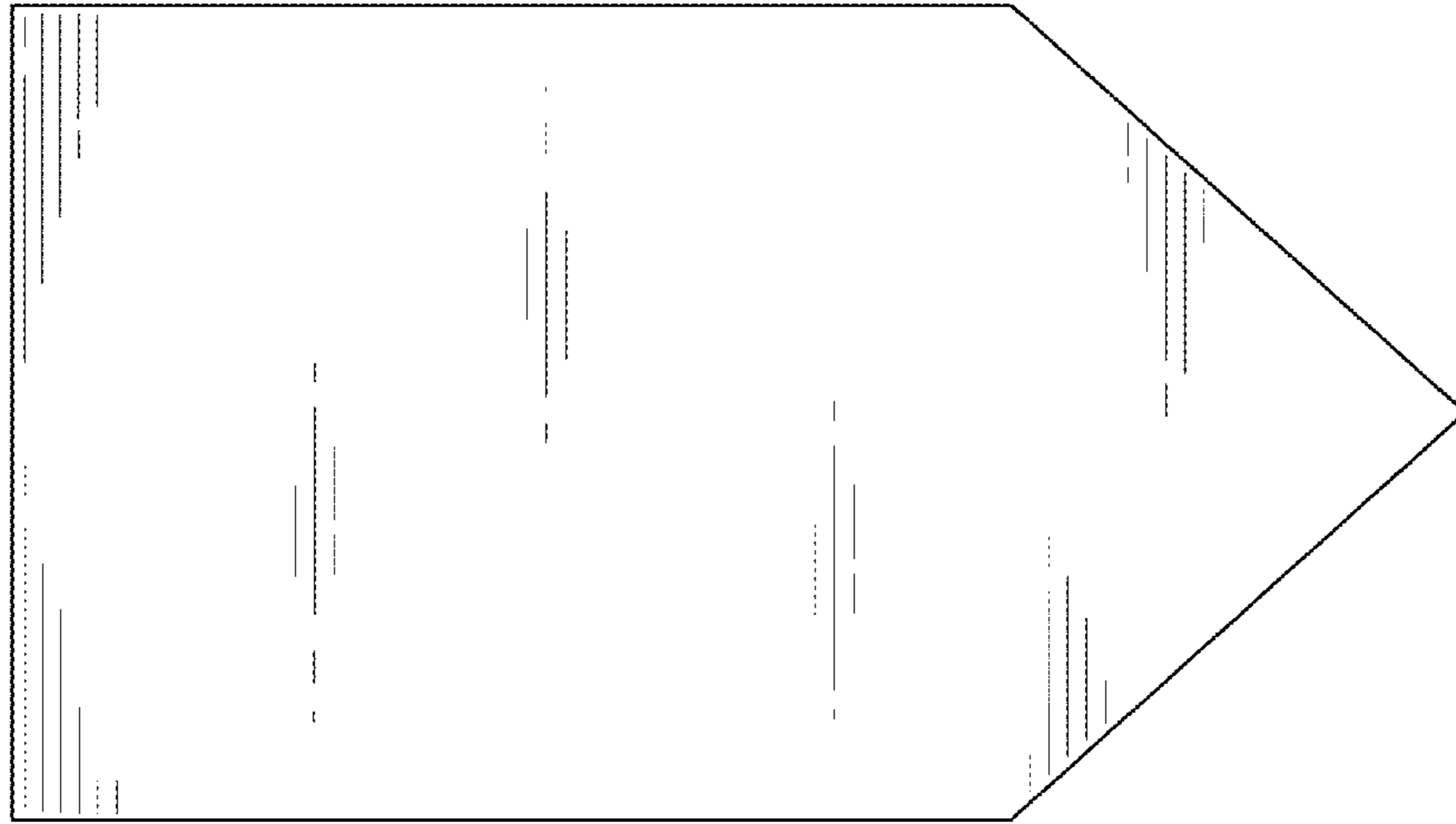


FIG. 3

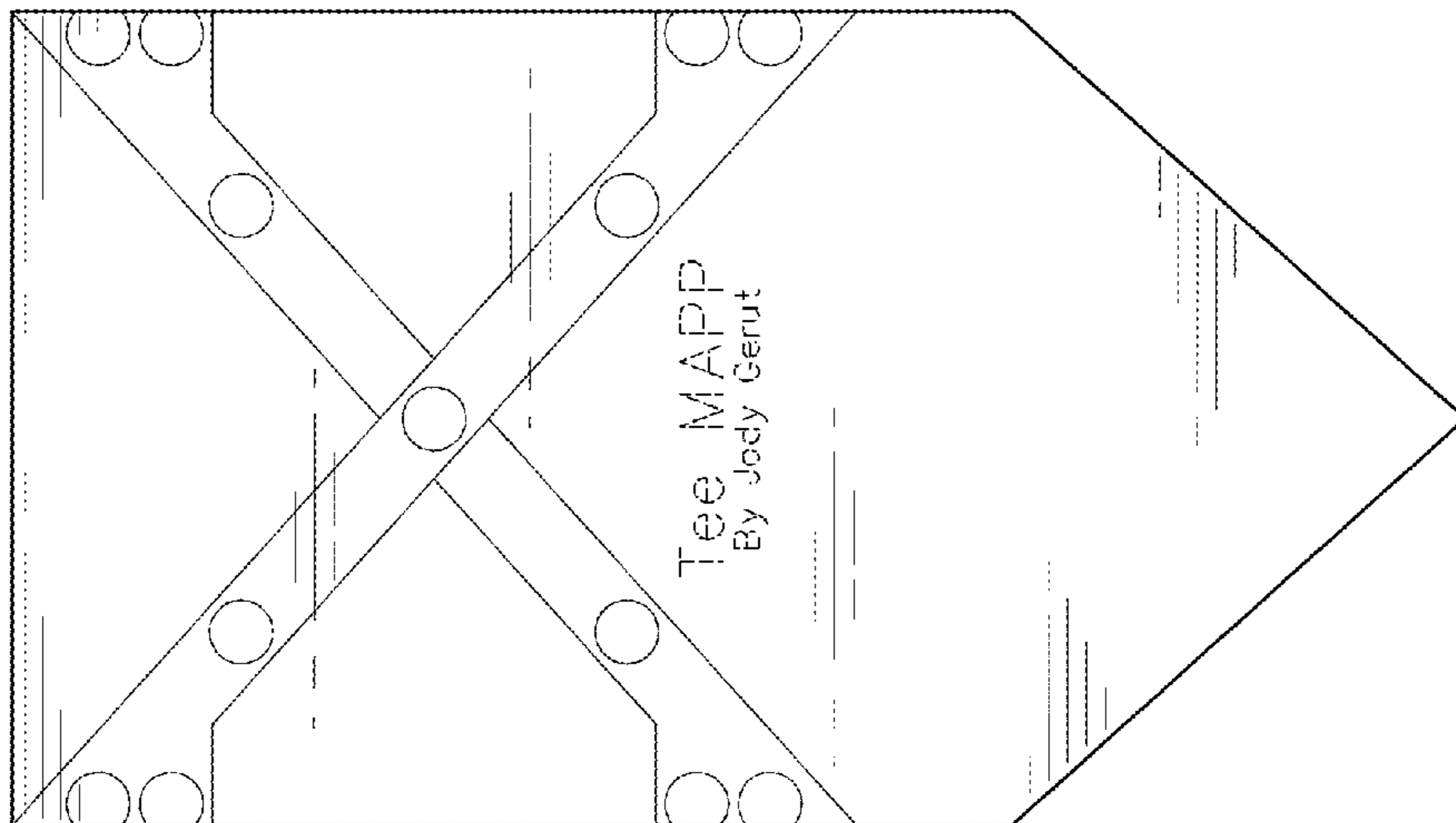


FIG. 2

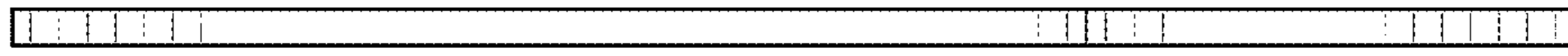


FIG. 5

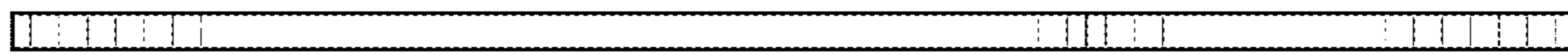


FIG. 4



FIG. 6



FIG. 7