



US00D773570S

(12) **United States Design Patent**  
**Pasquale et al.**

(10) **Patent No.:** **US D773,570 S**  
(45) **Date of Patent:** **\*\* Dec. 6, 2016**

(54) **HOOP TOY**

(71) Applicants: **Maria Pasquale**, Summit, NJ (US);  
**Jennifer Penton**, Santa Monica, CA  
(US)

(72) Inventors: **Maria Pasquale**, Summit, NJ (US);  
**Jennifer Penton**, Santa Monica, CA  
(US)

(\*\*) Term: **14 Years**

(21) Appl. No.: **29/481,019**

(22) Filed: **Jan. 31, 2014**

(51) **LOC (10) Cl.** ..... **21-02**

(52) **U.S. Cl.**  
USPC ..... **D21/702**

(58) **Field of Classification Search**  
USPC ..... D21/300–303, 305, 698, 699, 701–705;  
473/415, 416, 432, 433, 447, 459, 472,  
473/476, 479–489, 503; 273/398–410  
CPC ..... A63B 63/08; A63B 63/083; A63B  
2063/001; A63B 47/002; A63B 69/40;  
A63B 2208/12; A63B 67/002; A63B  
69/0071; A63B 71/023; A63B 67/06; A63F  
9/0204; A63F 9/02

See application file for complete search history.

(56) **References Cited**

**U.S. PATENT DOCUMENTS**

611,504	A *	9/1898	Perky	.....	273/400
854,640	A *	5/1907	Fuller	.....	273/381
1,211,379	A *	1/1917	Maisch	.....	273/368
1,616,270	A *	2/1927	Madden	.....	273/401

1,616,524	A *	2/1927	Bellgarde	.....	473/469
2,130,820	A *	9/1938	Trumbull	.....	473/470
3,362,712	A *	1/1968	Wagner	.....	273/374
D280,755	S *	9/1985	Cochran	.....	D21/702
4,846,470	A *	7/1989	Peterson	.....	473/484
D307,616	S *	5/1990	Kelly	.....	D21/702
5,224,699	A *	7/1993	Zaruba	.....	273/375
5,364,091	A *	11/1994	Sebek	.....	473/433
D381,057	S *	7/1997	Strawcutter et al.	.....	D21/814
5,833,557	A *	11/1998	Cole	.....	473/472
5,954,337	A *	9/1999	Cunningham	.....	273/338
6,299,570	B1 *	10/2001	Lim	.....	482/148
6,338,686	B1 *	1/2002	King	.....	473/415
2005/0134001	A1 *	6/2005	Rowan	.....	273/401
2011/0089640	A1 *	4/2011	Pecherski	.....	273/400

\* cited by examiner

*Primary Examiner* — Catherine Tuttle

(74) *Attorney, Agent, or Firm* — Baker & Hostetler LLP

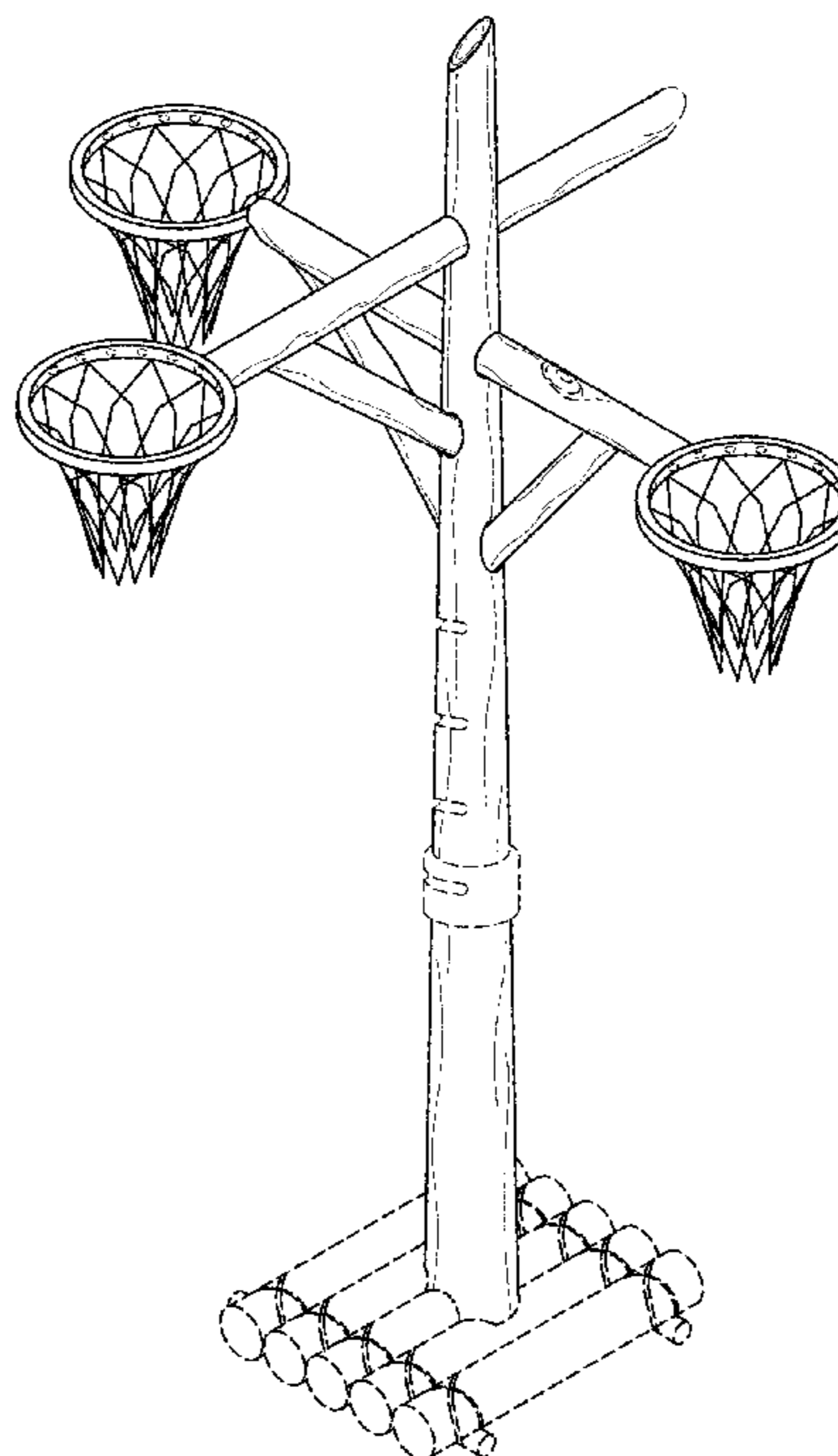
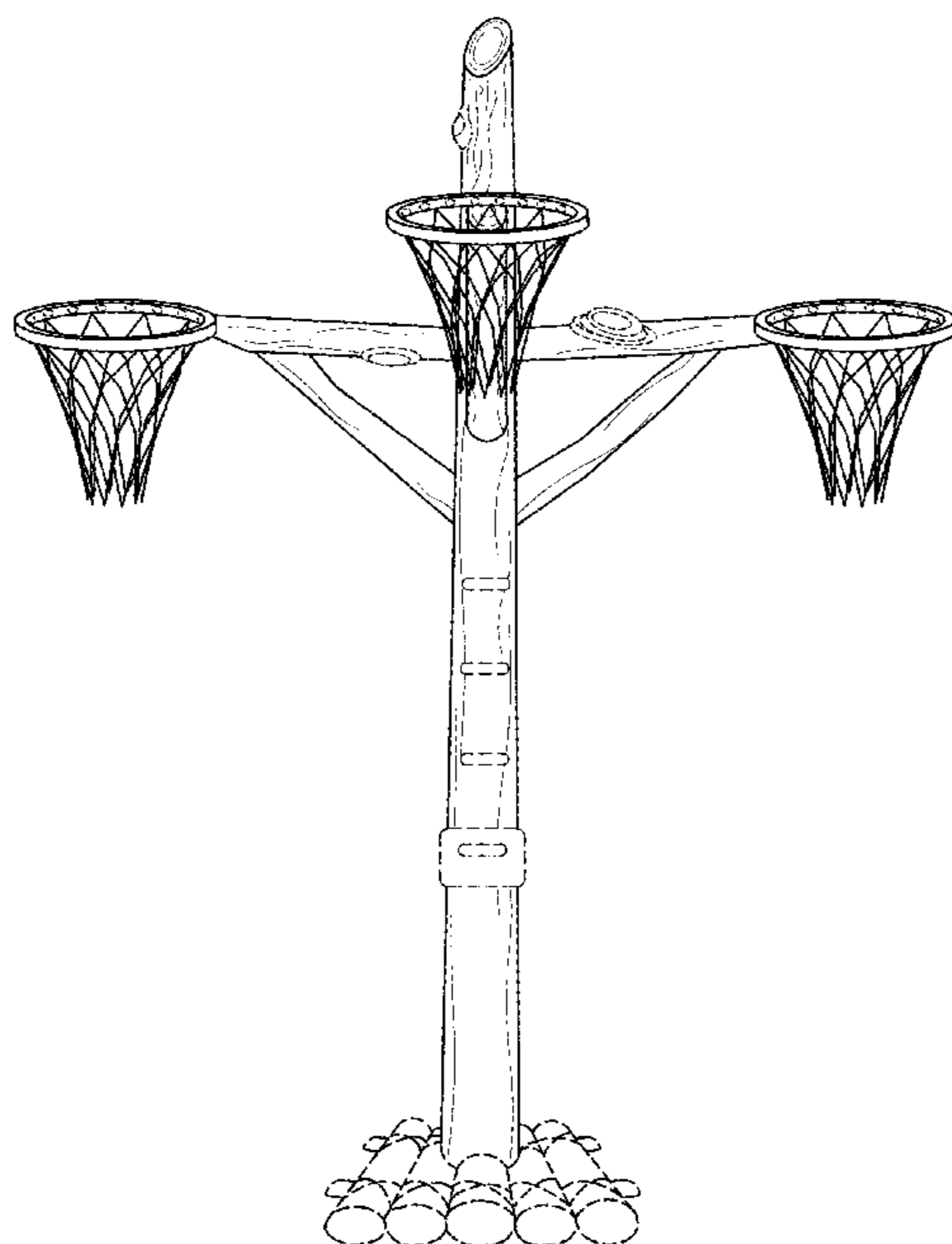
(57) **CLAIM**

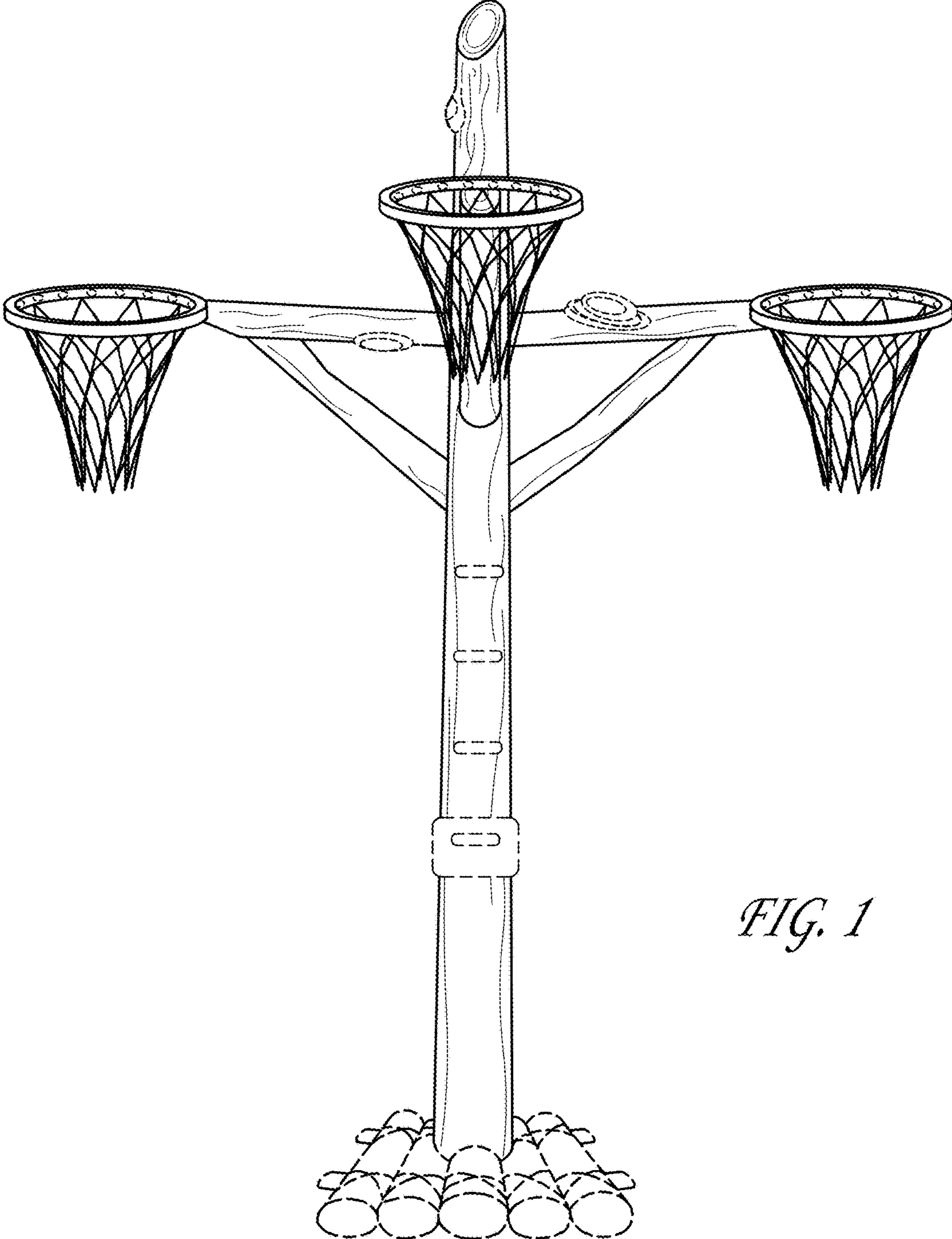
We claim the ornamental design for a hoop toy, as shown and described.

**DESCRIPTION**

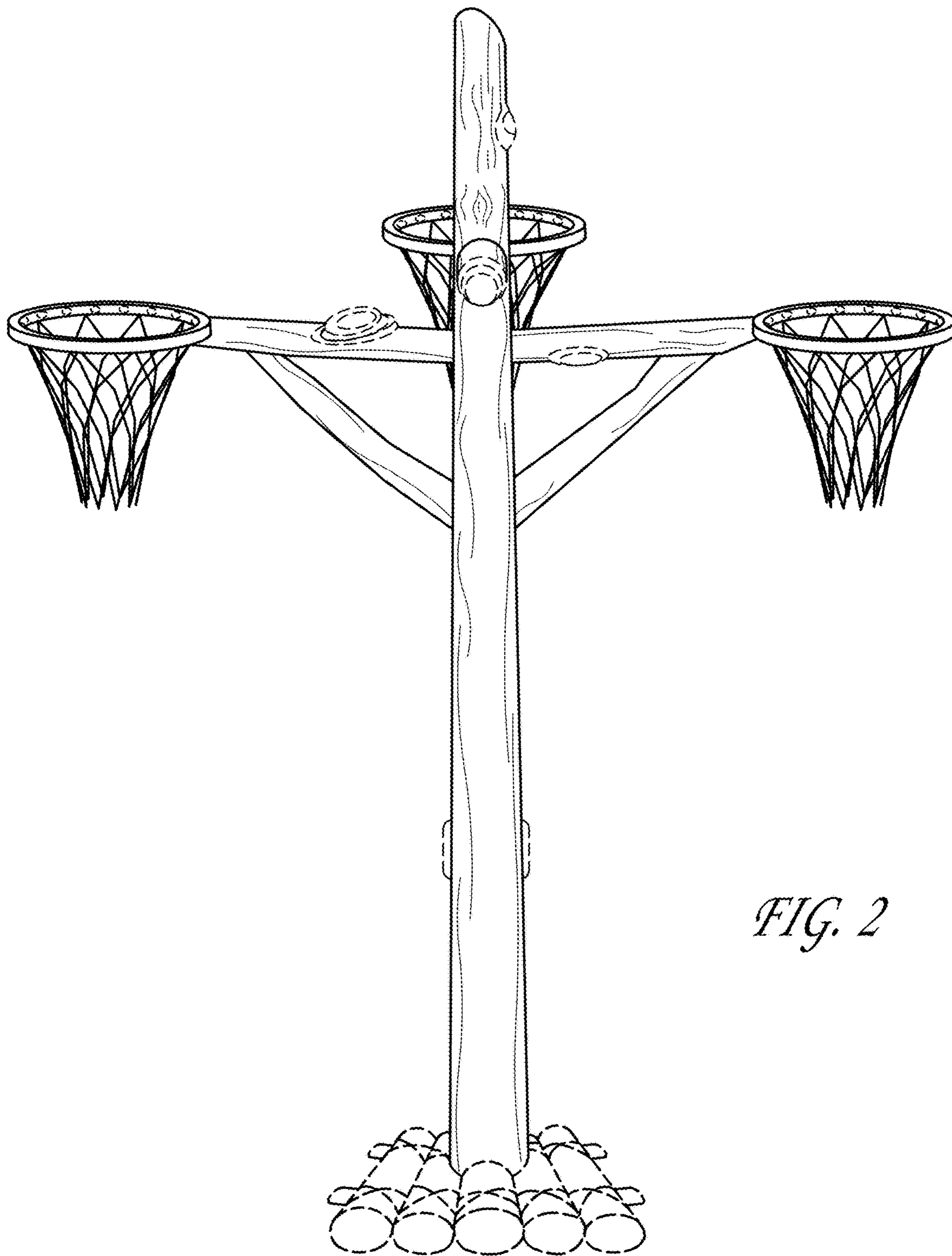
FIG. 1 is a front view of a hoop toy according to our new design;  
FIG. 2 is a rear view thereof;  
FIG. 3 is a left side view thereof, the left side view being a mirror image of the right side view;  
FIG. 4 is a top view thereof;  
FIG. 5 is a bottom view thereof; and,  
FIG. 6 is a top perspective view thereof.  
The broken lines are included for the purpose of illustrating the portions of the hoop toy that form no part of the claimed design.

**1 Claim, 5 Drawing Sheets**

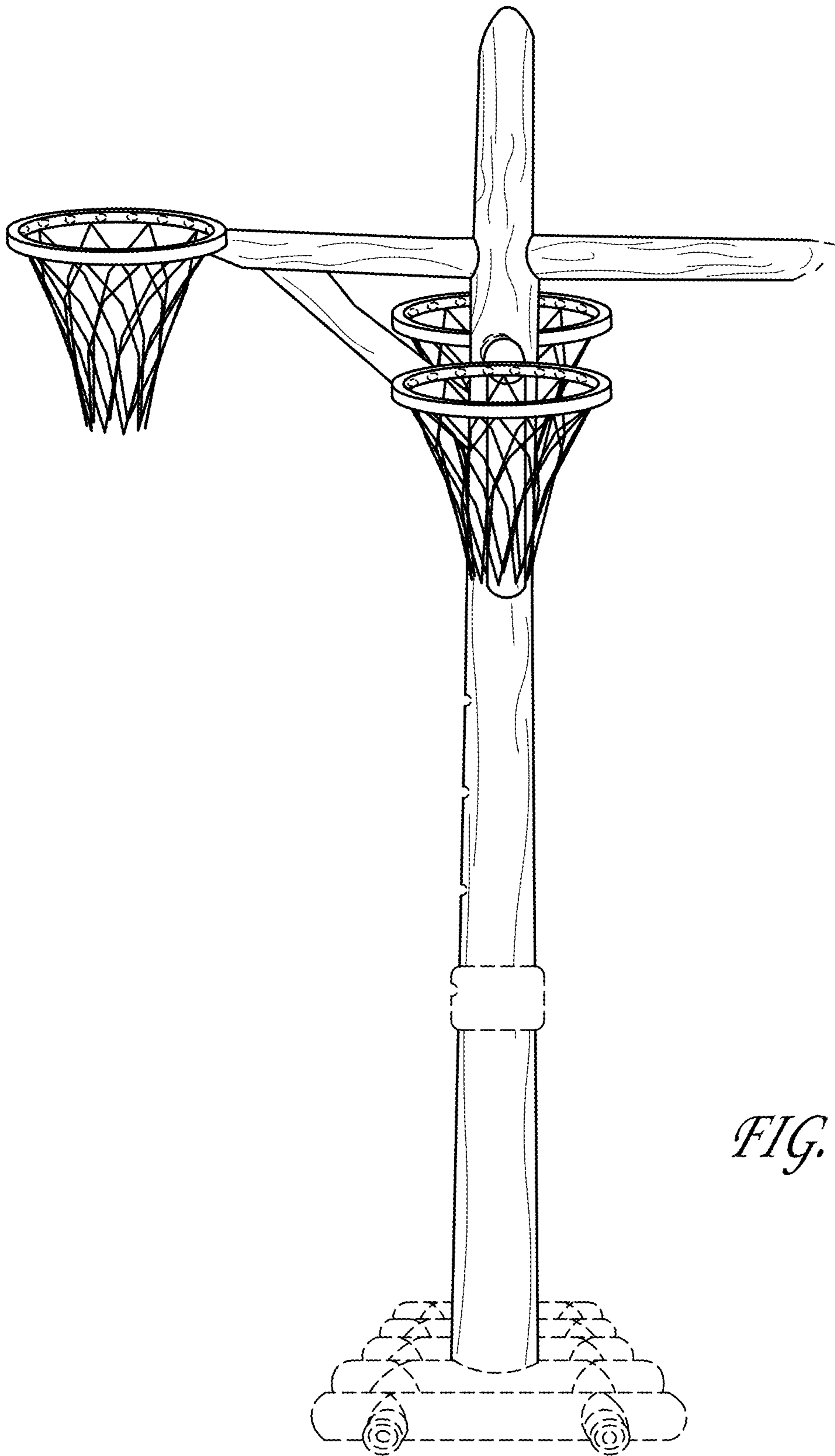




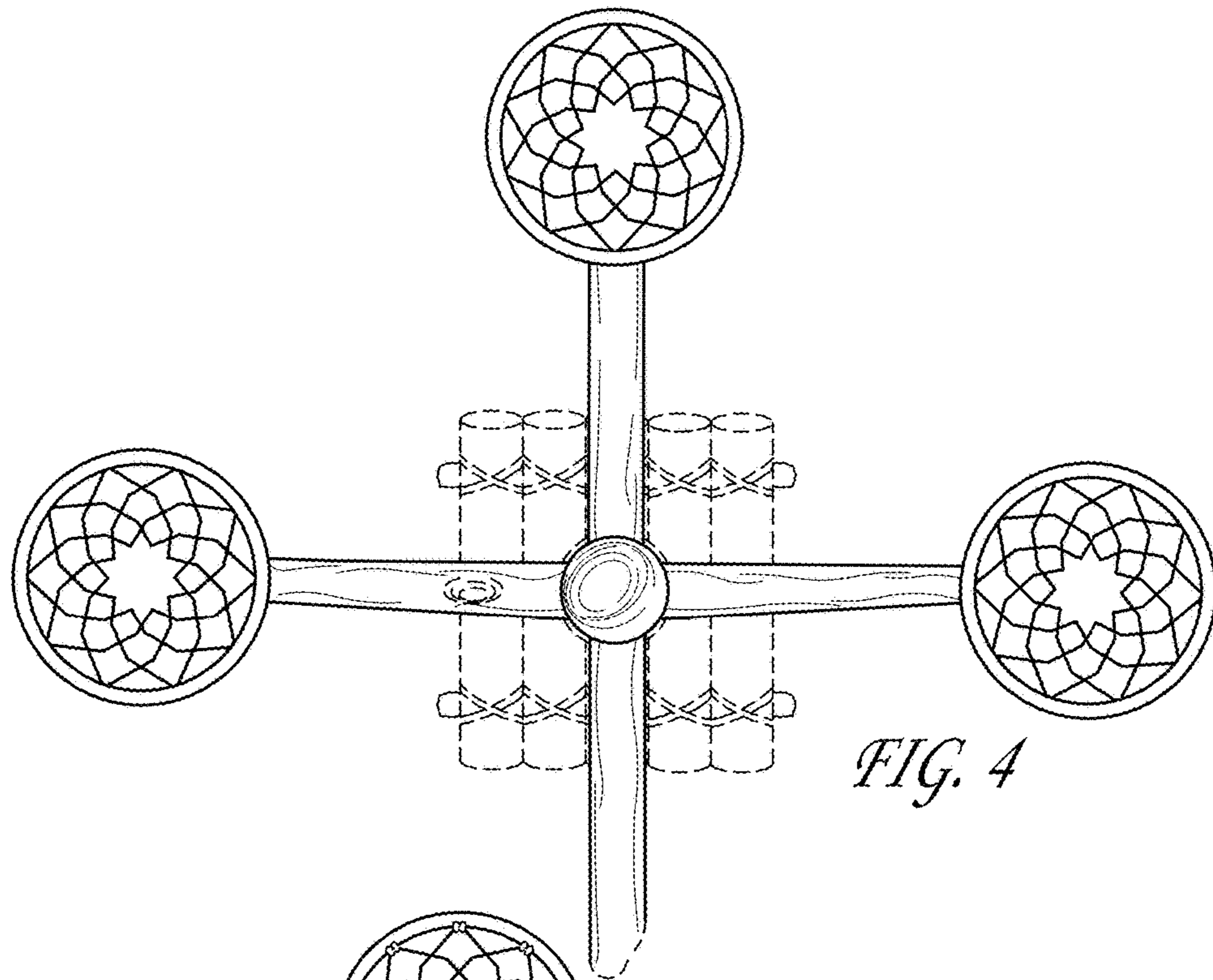
*FIG. 1*



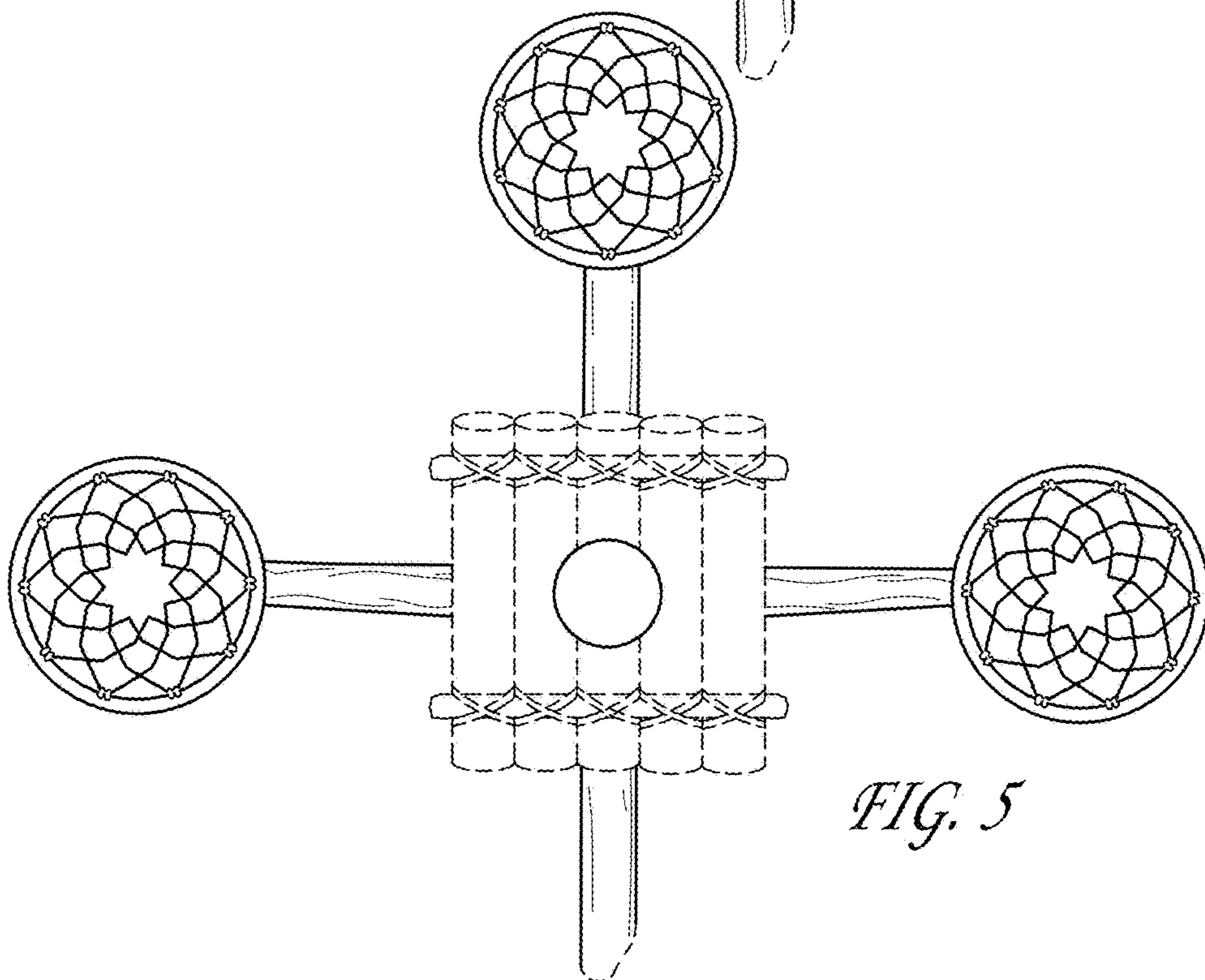
*FIG. 2*



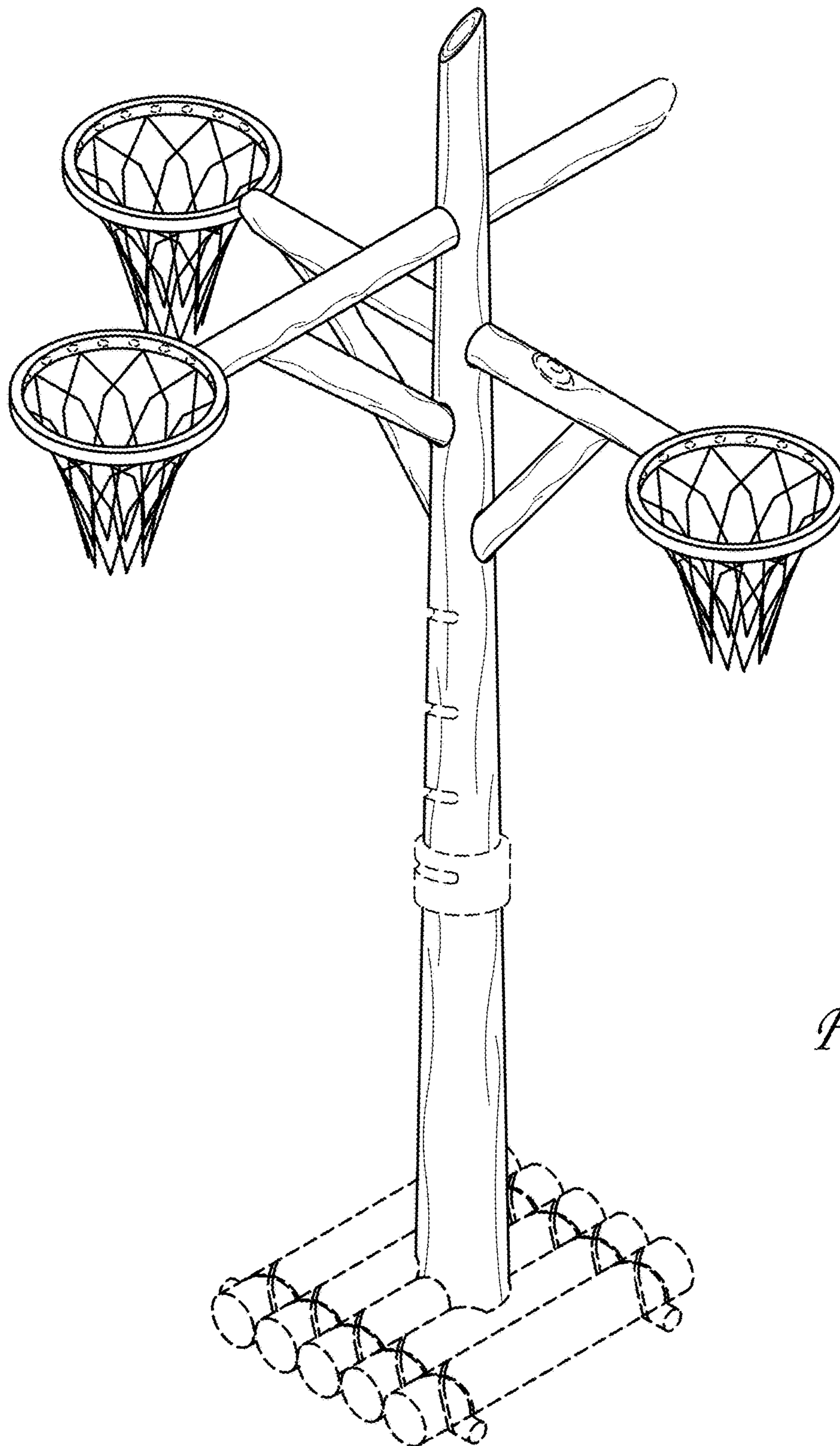
*FIG. 3*



*FIG. 4*



*FIG. 5*



*FIG. 6*