

US00D773567S

(12) **United States Design Patent**
Chuang

(10) **Patent No.:** **US D773,567 S**

(45) **Date of Patent:** **** Dec. 6, 2016**

(54) **STEPPER**

(71) Applicant: **Lung-Fei Chuang**, Taichung (TW)

(72) Inventor: **Lung-Fei Chuang**, Taichung (TW)

(**) Term: **15 Years**

(21) Appl. No.: **29/539,327**

(22) Filed: **Sep. 13, 2015**

(30) **Foreign Application Priority Data**

Mar. 20, 2015 (TW) 104301460

(51) **LOC (10) Cl.** **21-02**

(52) **U.S. Cl.**
USPC **D21/668**

(58) **Field of Classification Search**
USPC 482/142, 53, 79, 132, 147, 908, 49,
123,482/129, 128, 127, 138, 112, 80, 146,
130, 118,482/34, 126, 51; 601/32, 105,
148, 152, 27, 29, 601/46; D21/688, 668,
670, 697, 694, 685, 673, D21/671;
183/83; D24/188, 212, 215; D6/349,
D6/351
CPC . A63B 23/08; A63B 21/0552; A63B 21/4015;
A63B 21/0442; A63B 21/0557; A63B
2208/0204
See application file for complete search history.

6,315,697 B1 * 11/2001 Chen A63B 22/0056
482/146
D456,052 S * 4/2002 Steves D21/668
D461,211 S * 8/2002 Kuo D21/668
6,435,073 B1 * 8/2002 Chen A63B 21/0083
482/53
D465,001 S * 10/2002 Chiang-Chow D21/668
D466,567 S * 12/2002 Chen D21/668
6,494,813 B2 * 12/2002 Chen A63B 21/068
482/146
6,709,367 B1 * 3/2004 Liang A63B 22/0058
482/146
D496,700 S * 9/2004 Chen D21/668
D498,506 S * 11/2004 Yu D21/668
6,830,539 B2 * 12/2004 Chuang A63B 23/0429
482/112
6,918,857 B2 * 7/2005 Chen A63B 22/0056
482/53
D514,635 S * 2/2006 Hsiao D21/670
D519,583 S * 4/2006 Chen D21/668
D561,849 S * 2/2008 Piaget D21/670

(Continued)

Primary Examiner — Robert M Spear
Assistant Examiner — Ryan Harvey
(74) *Attorney, Agent, or Firm* — CKC & Partners Co.,
Ltd.

(57) **CLAIM**

The ornamental design for a stepper, as shown and described.

DESCRIPTION

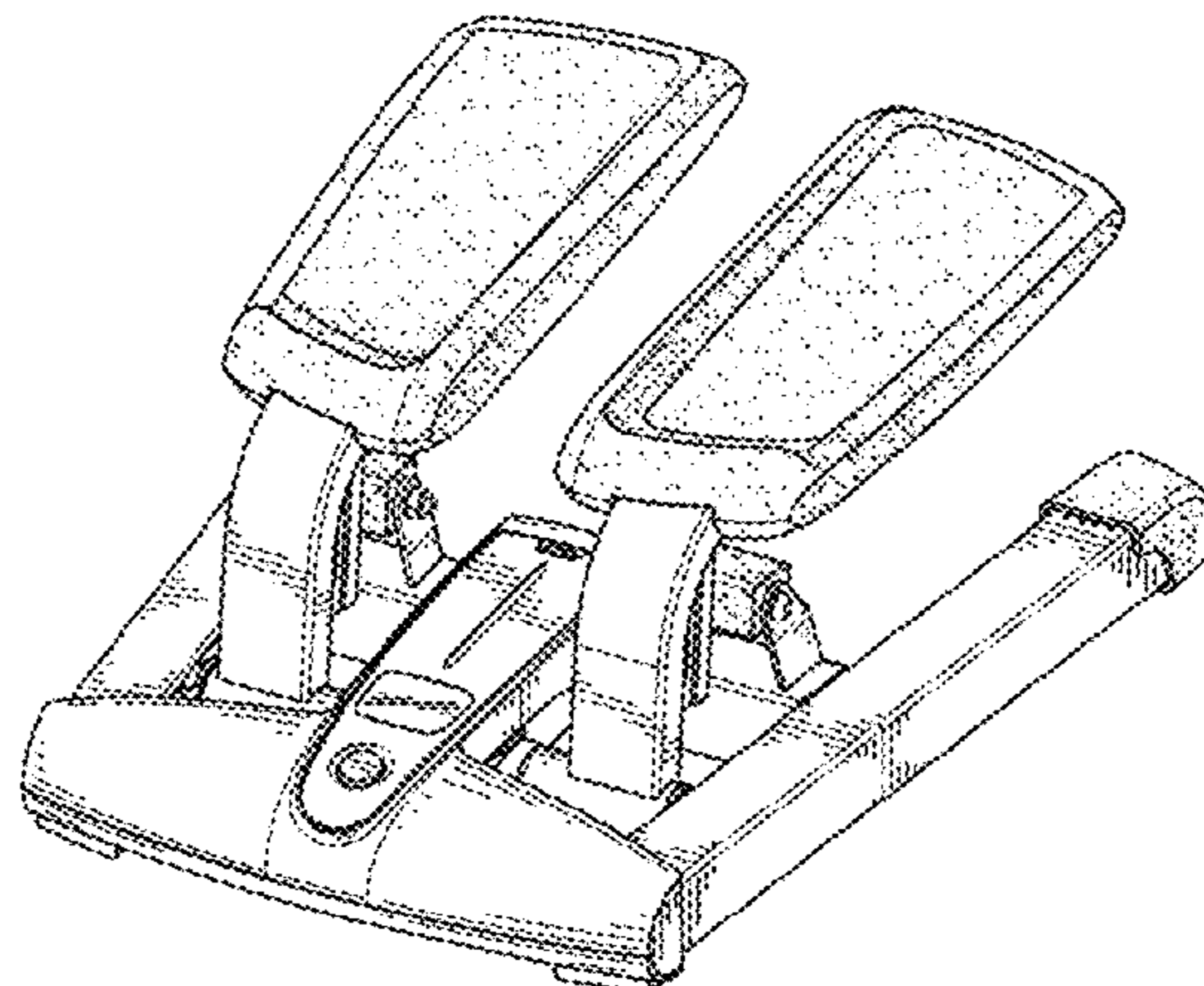
FIG. 1 is a perspective view of the stepper showing my new design;
FIG. 2 is a front view thereof;
FIG. 3 is a rear view thereof;
FIG. 4 is a left side view thereof;
FIG. 5 is a right side view thereof;
FIG. 6 is a top view thereof;
FIG. 7 is a bottom view thereof; and,
FIG. 8 is a perspective view of the stepper in an alternate configuration of use.

1 Claim, 5 Drawing Sheets

(56) **References Cited**

U.S. PATENT DOCUMENTS

4,159,111 A * 6/1979 Lowth A63B 22/0056
188/83
5,256,118 A * 10/1993 Chen A63B 22/0056
482/112
5,290,204 A * 3/1994 Lee A63B 22/0056
482/112
D348,708 S * 7/1994 Chen D21/670
5,348,520 A * 9/1994 Chang A63B 21/0552
482/123
6,224,515 B1 * 5/2001 Chen A63B 22/0056
482/53



(56)

References Cited

U.S. PATENT DOCUMENTS

7,384,378 B2 * 6/2008 Chen A63B 22/0069
482/53
D575,836 S * 8/2008 Hsiao D21/668
7,462,137 B2 * 12/2008 Yang A63B 22/001
482/53
7,465,255 B2 * 12/2008 Chen A63B 21/0087
482/53
7,530,927 B2 * 5/2009 Chuang A63B 21/0552
482/53
7,614,978 B2 * 11/2009 Piaget A63B 21/0085
482/112
7,637,849 B2 * 12/2009 Chen A63B 22/0012
482/52
7,878,948 B2 * 2/2011 Chen A63B 22/0012
482/52
7,878,949 B2 * 2/2011 Chen A63B 21/0552
482/52
7,896,780 B2 * 3/2011 Chen A63B 23/0429
482/52
8,152,698 B1 * 4/2012 Chen A63B 22/00
482/53
D720,819 S * 1/2015 Prats D21/670
D728,707 S * 5/2015 Colburn D21/663

2003/0008750 A1 * 1/2003 Liang A63B 22/0056
482/53
2003/0017916 A1 * 1/2003 Juan A63B 22/0056
482/51
2003/0036462 A1 * 2/2003 Ravikumar A61H 1/0266
482/51
2003/0216224 A1 * 11/2003 Chuang A63B 22/0056
482/53
2005/0049116 A1 * 3/2005 Huang A63B 22/0064
482/51
2005/0070403 A1 * 3/2005 Yu A63B 21/0083
482/53
2005/0227818 A1 * 10/2005 Liao A63B 21/015
482/53
2007/0202996 A1 * 8/2007 Lu A63B 22/0056
482/52
2007/0254782 A1 * 11/2007 Chen A63B 22/0056
482/53
2008/0020904 A1 * 1/2008 Ho A63B 22/0069
482/52
2008/0026916 A1 * 1/2008 Chuang A63B 22/0064
482/53
2010/0144495 A1 * 6/2010 Chen A63B 22/0069
482/52
2013/0316879 A1 * 11/2013 Prats A63B 71/0619
482/53

* cited by examiner

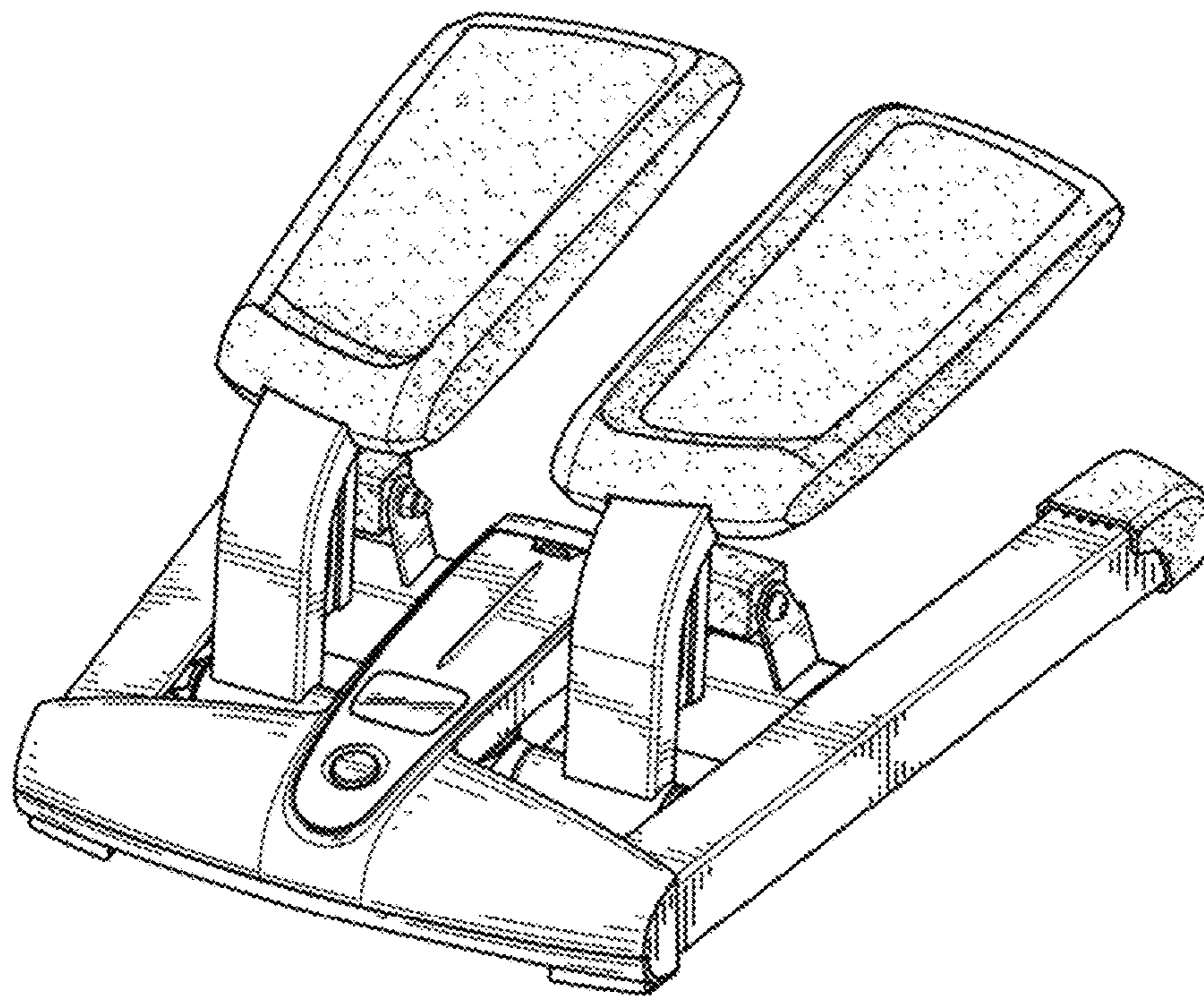


Fig. 1

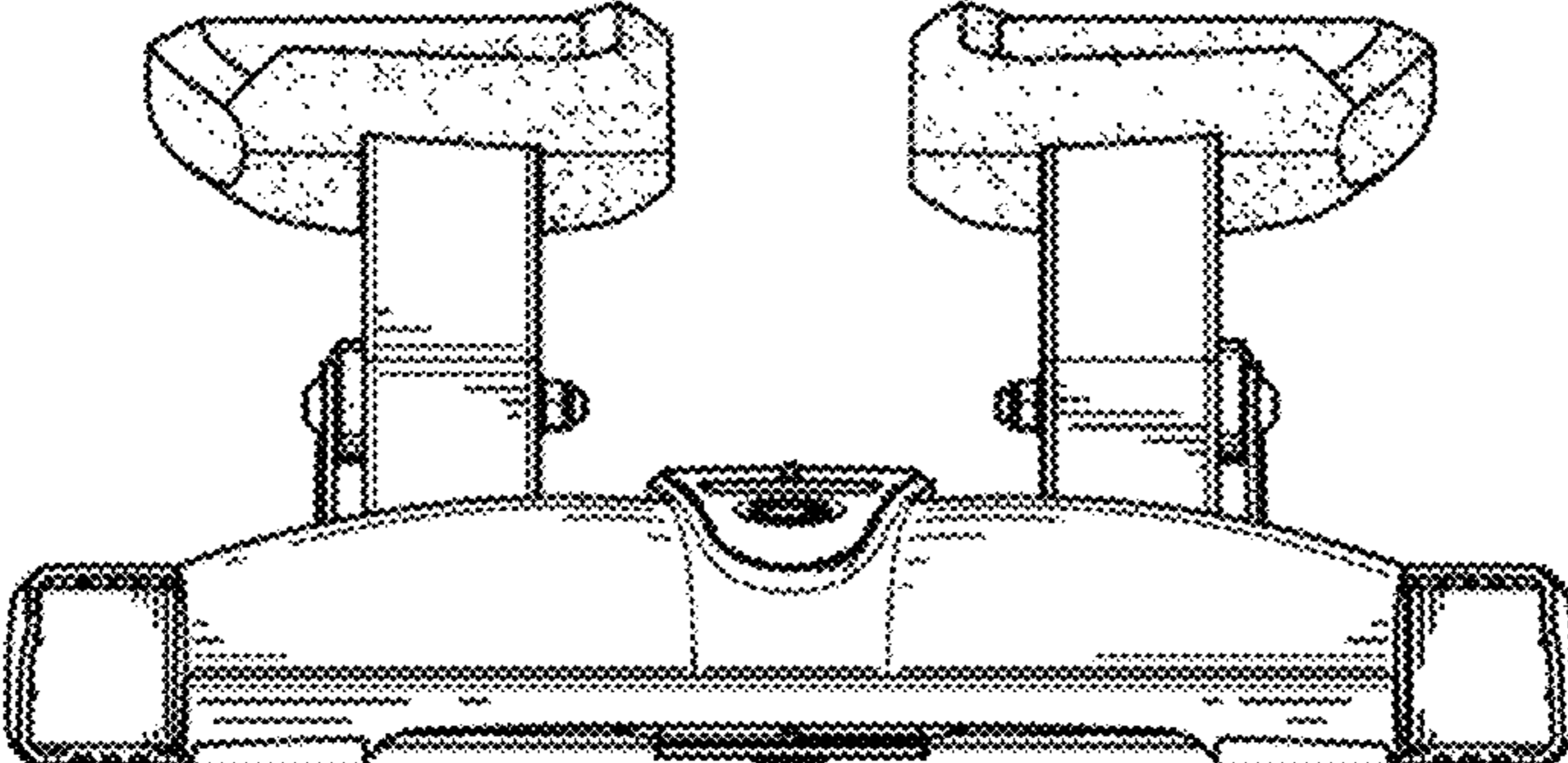


Fig. 2

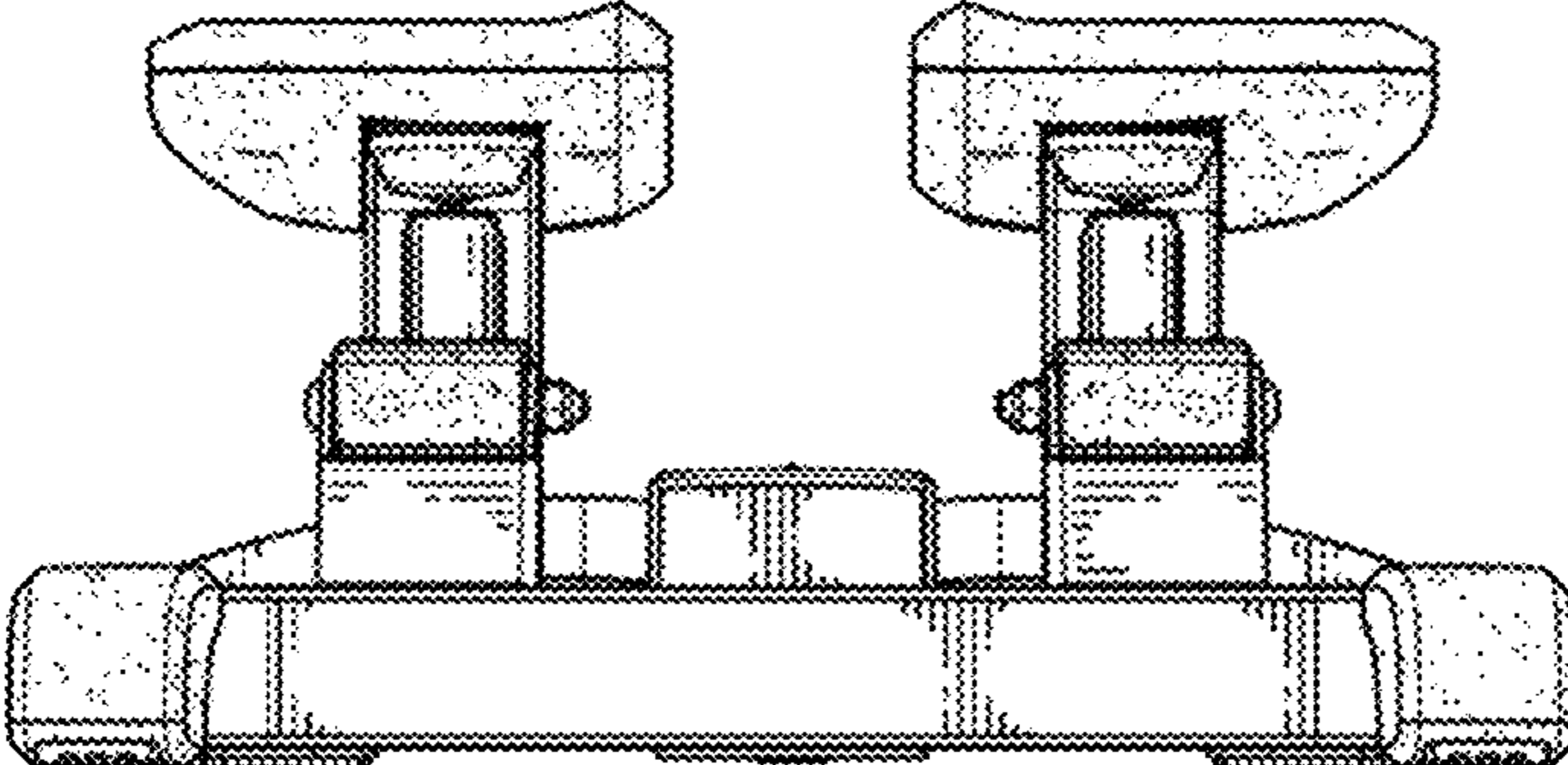


Fig. 3

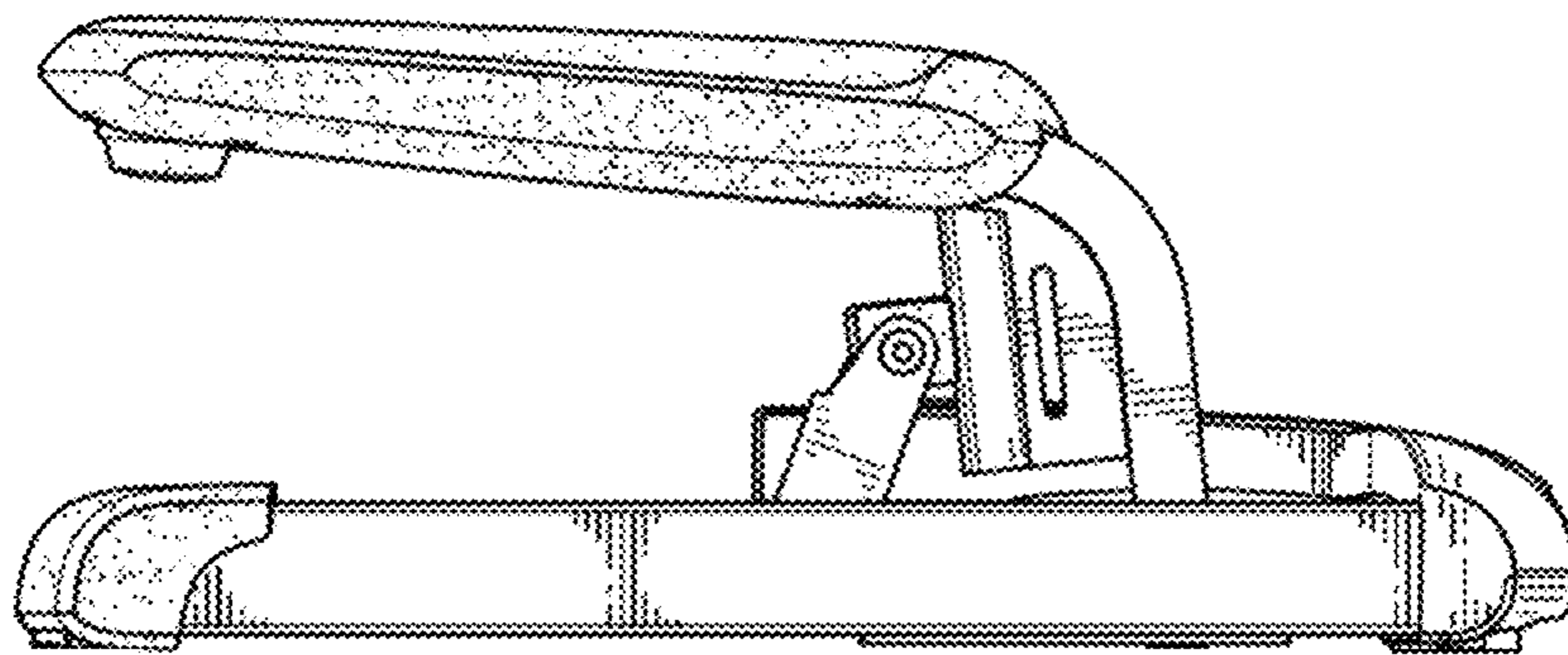


Fig. 4

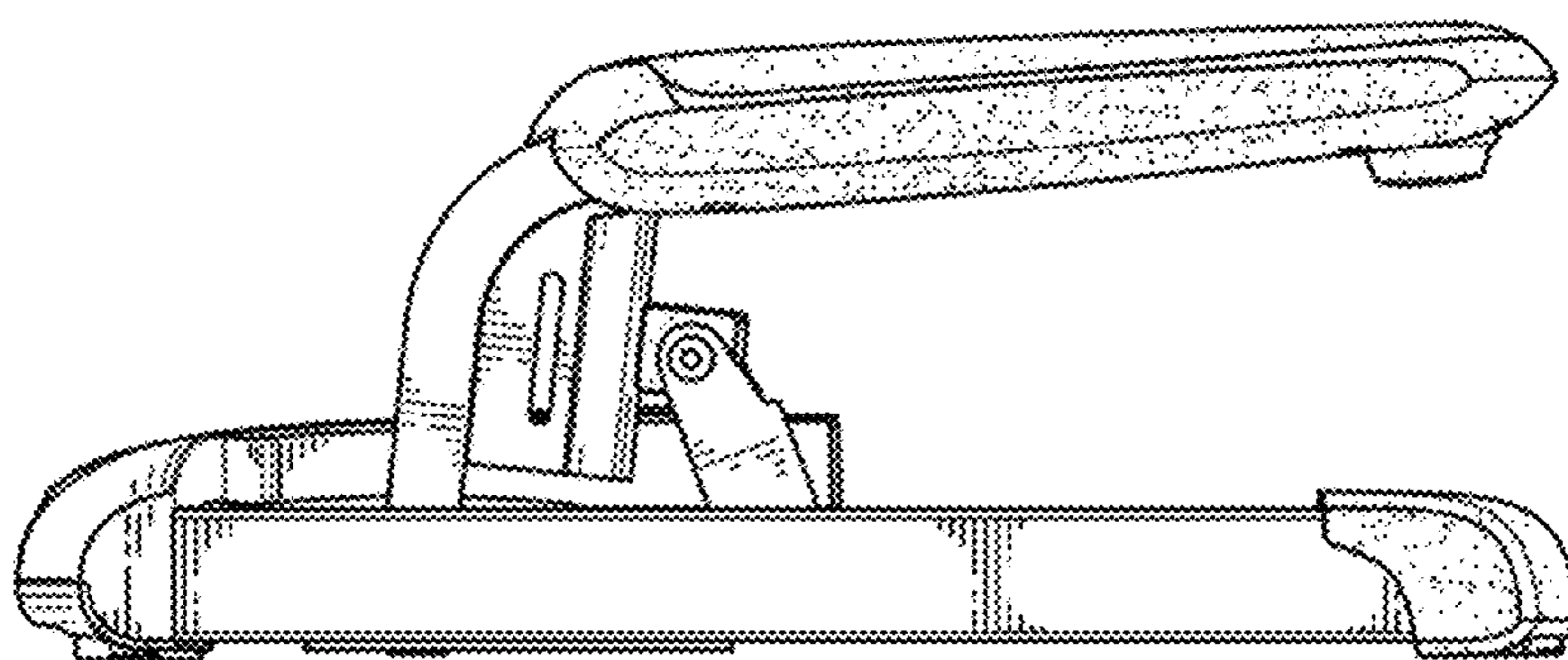


Fig. 5

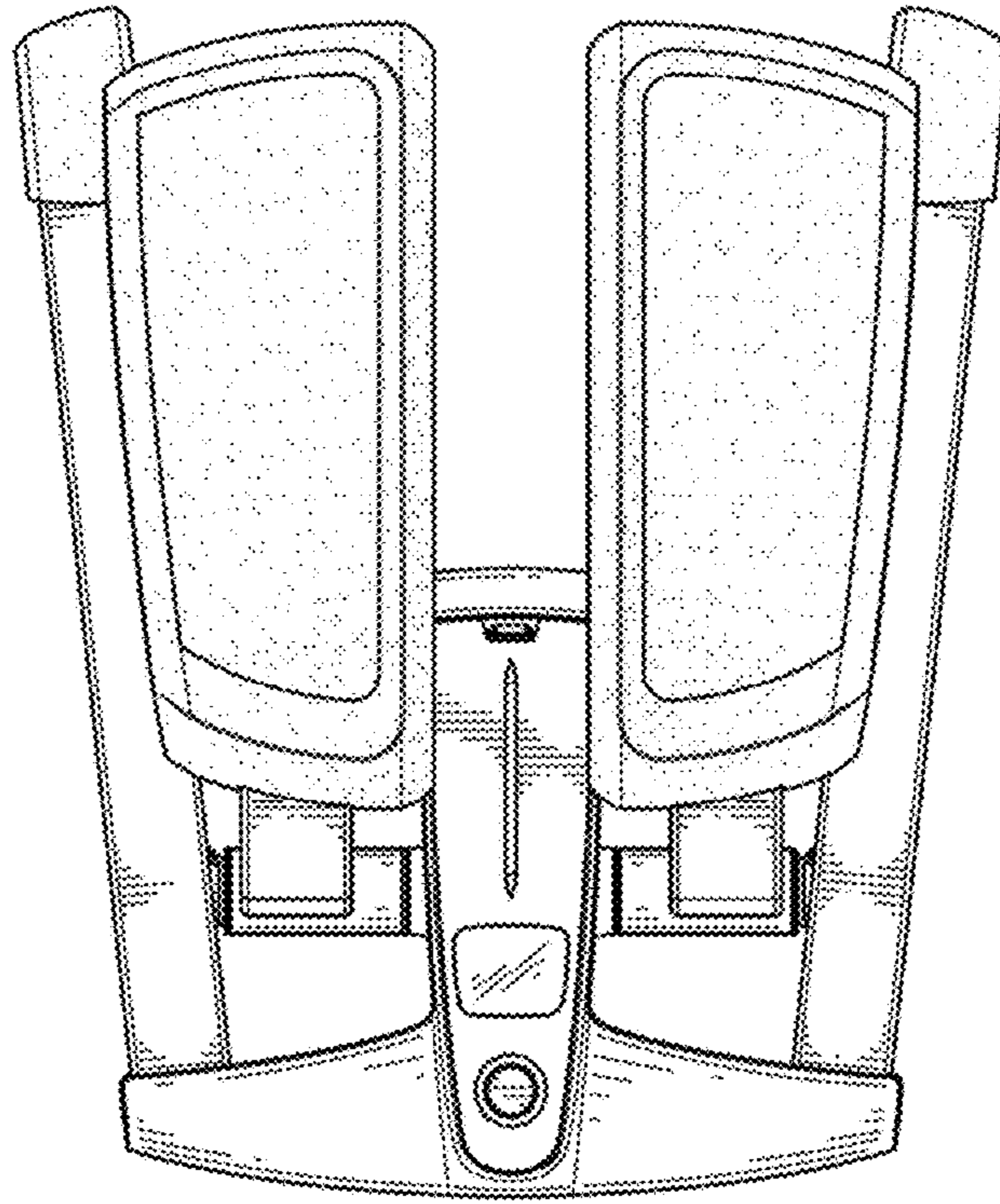


Fig. 6

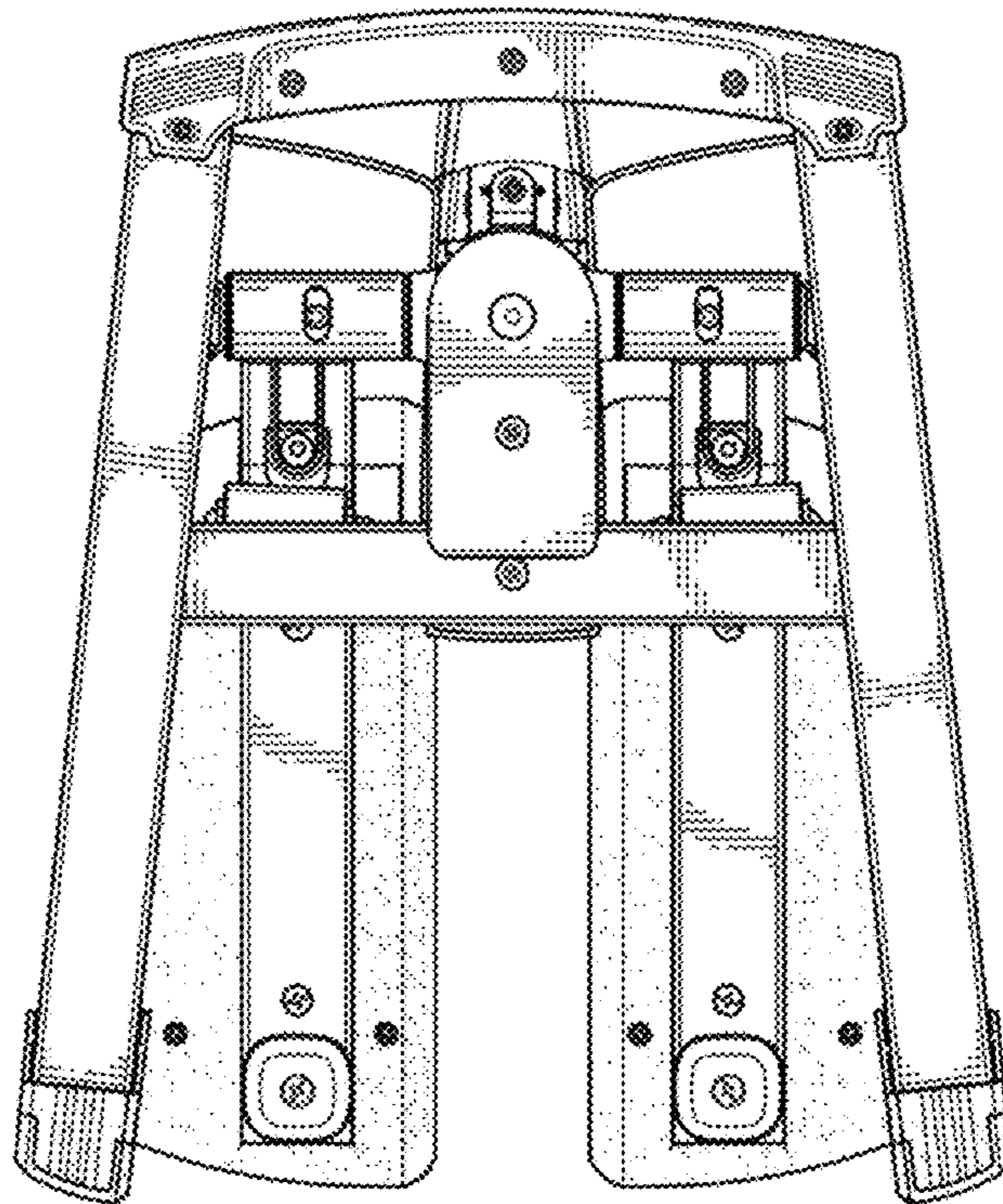


Fig. 7

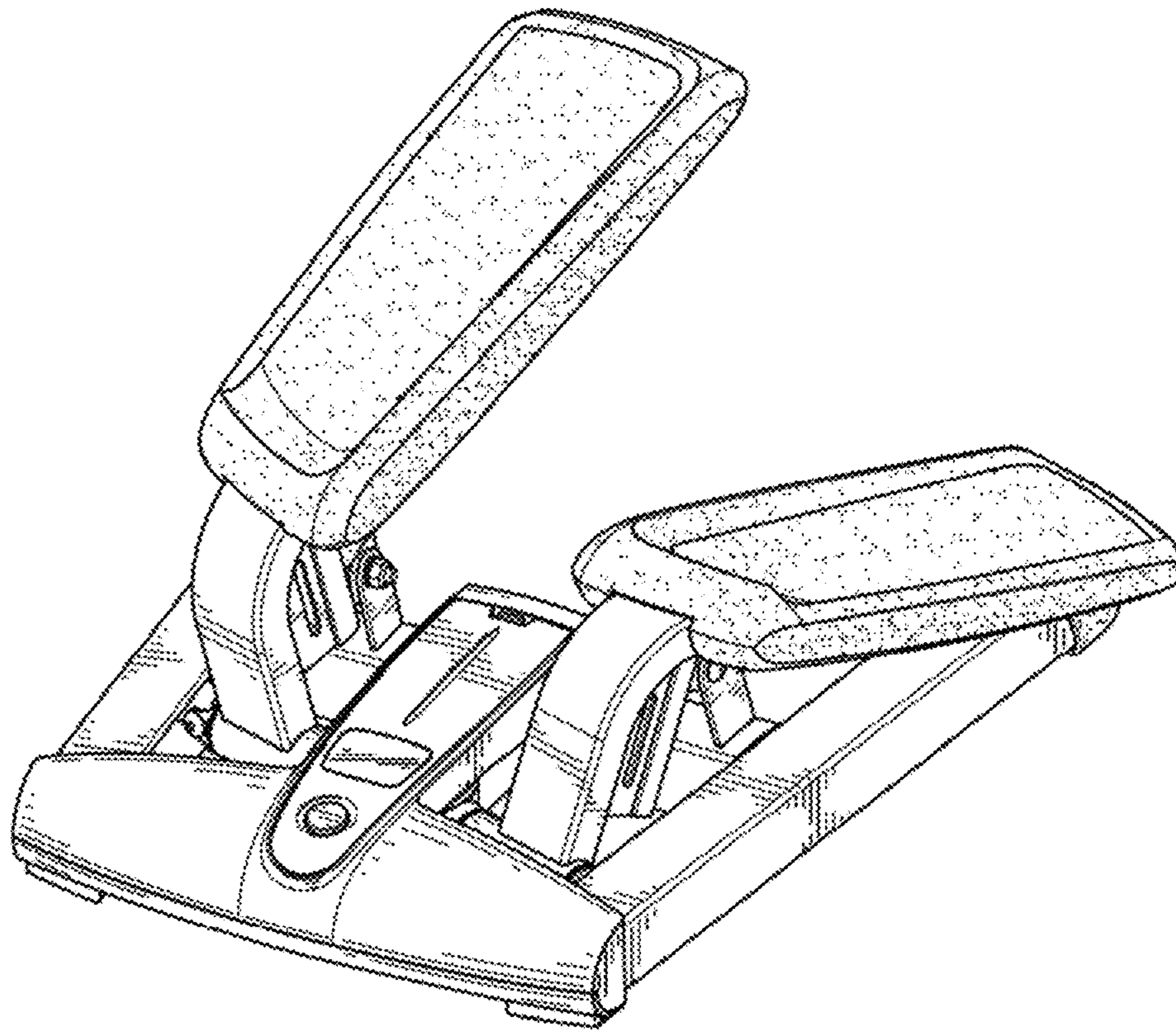


Fig. 8