



US00D773566S

(12) **United States Design Patent** (10) **Patent No.:** **US D773,566 S**  
**Pierroz** (45) **Date of Patent:** **\*\* Dec. 6, 2016**

(54) **BICYCLE TRAINING SUPPORT**  
(71) Applicant: **Paul Pierroz**, Ancaster (CA)  
(72) Inventor: **Paul Pierroz**, Ancaster (CA)  
(\*\*) Term: **14 Years**  
(21) Appl. No.: **29/514,686**  
(22) Filed: **Jan. 15, 2015**  
(51) **LOC (10) Cl.** ..... **21-02**  
(52) **U.S. Cl.**  
USPC ..... **D21/664**  
(58) **Field of Classification Search**  
USPC ..... D21/664, 673, 688, 662, 699, 705,  
668,D21/769, 690, 788, 698, 534, 669,  
302, 691,D21/681, 682, 800, 694, 686,  
702, 676; 482/122, 142, 123, 129, 128,  
93, 106, 74, 482/121, 130, 71, 72, 95, 96,  
68, 66, 41, 141, 482/100, 115, 49, 146,  
147, 42, 51, 35, 38, 23, 482/904, 91, 28,  
140, 907, 86, 83, 87, 90, 131, 482/902,  
61, 65, 17, 52, 62, 107, 108, 54, 105,  
482/133, 148, 92, 138; 473/432, 445, 441,  
197, 473/434, 438, 454, 478, 447, 422,  
476; D12/317, 9, 6, 8, 130, 115; 273/400,  
407, 273/396  
CPC ..... A63B 23/0211; A63B 2210/50; A63B  
63/004; A63B 21/4047; A63B 2208/0233;  
A63B 21/068; F41J 1/10; Y10S 482/907  
See application file for complete search history.

(56) **References Cited**

**U.S. PATENT DOCUMENTS**

581,835 A \* 5/1897 Sturgis ..... A63B 69/16  
482/61  
3,871,648 A \* 3/1975 Maurer, III ..... A63B 69/16  
434/61  
3,905,597 A \* 9/1975 Tabb ..... A63B 69/16  
482/61  
3,958,801 A \* 5/1976 Correa ..... A63B 71/0054  
473/441  
D242,731 S \* 12/1976 Taylor ..... D12/115

4,082,265 A \* 4/1978 Berkes ..... A63B 22/16  
280/293  
4,415,150 A \* 11/1983 Iezza ..... A63B 3/00  
211/182  
D280,225 S \* 8/1985 Eagle ..... D21/664  
4,902,000 A \* 2/1990 Starks ..... A63B 3/00  
434/255  
D346,081 S \* 4/1994 Turner ..... D6/681.1  
6,129,651 A \* 10/2000 Denaro ..... A63B 21/00047  
482/141  
6,168,548 B1 \* 1/2001 Fleming ..... A63B 3/00  
482/23  
6,375,600 B1 \* 4/2002 Mallette ..... A63B 69/205  
482/83  
D522,933 S \* 6/2006 Monaghan ..... D12/130  
D566,800 S \* 4/2008 St. Jules ..... D21/691  
7,713,175 B2 \* 5/2010 Monaghan ..... A47D 13/04  
482/35  
8,585,559 B1 \* 11/2013 Shannon ..... A63B 3/00  
482/146  
D731,005 S \* 6/2015 Pierroz ..... D21/664  
9,283,460 B1 \* 3/2016 Viera ..... A63B 69/16  
9,295,894 B2 \* 3/2016 Papadopolous ..... A63B 69/16

**OTHER PUBLICATIONS**

Racegate by Modis dated no date given. Found online [Jul. 28, 2016] <https://www.racegate.ca/>.\*

\* cited by examiner

*Primary Examiner* — Robert M Spear  
*Assistant Examiner* — Ryan Harvey

(57) **CLAIM**

The ornamental design for a bicycle training support, as shown and described.

**DESCRIPTION**

FIG. 1 is a top plan view of a bicycle training support; FIG. 2 is a front elevational view of the bicycle training support shown in FIG. 1; FIG. 3 is a side elevational view of the bicycle training support shown in FIG. 1; and,

(Continued)

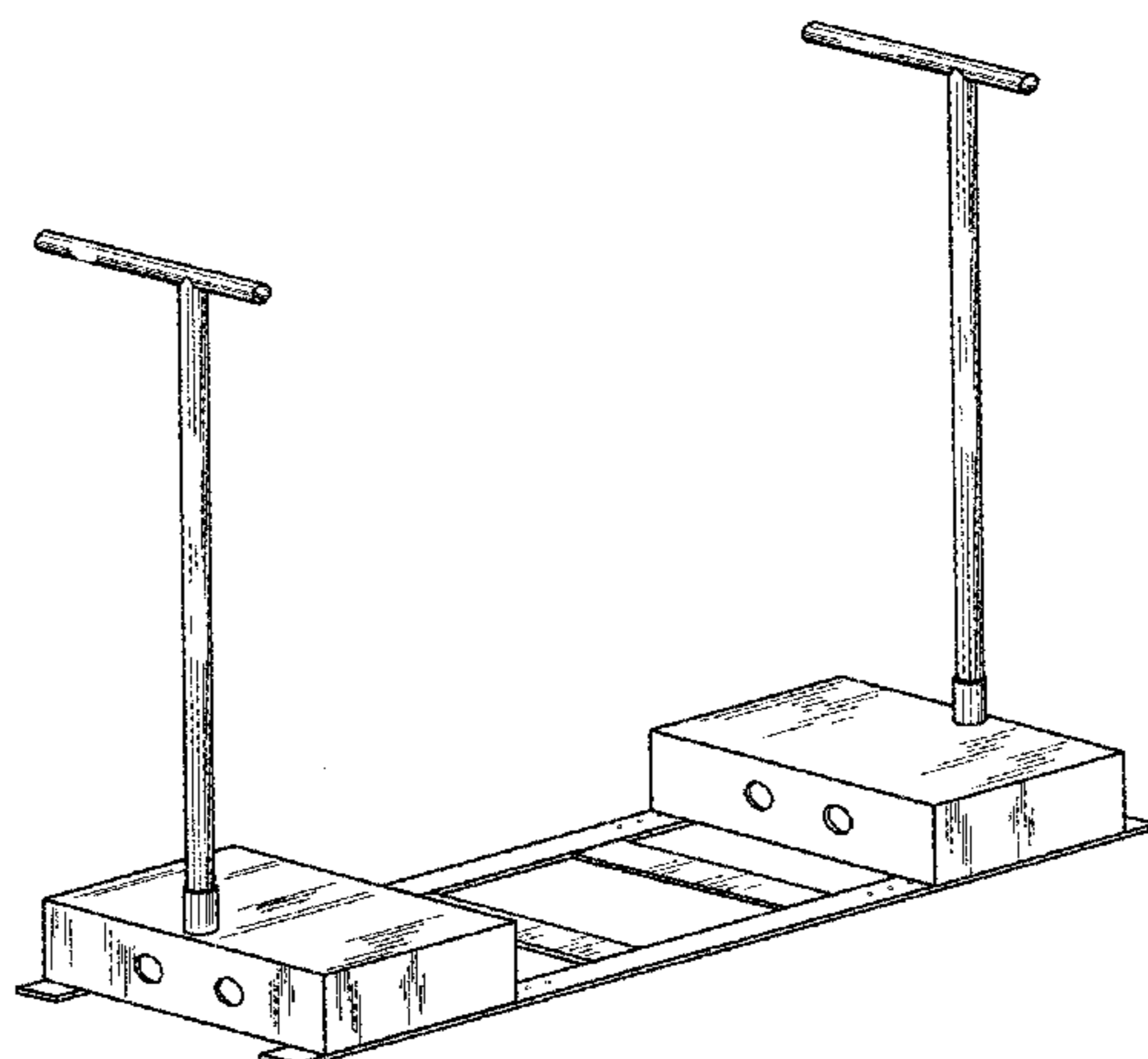
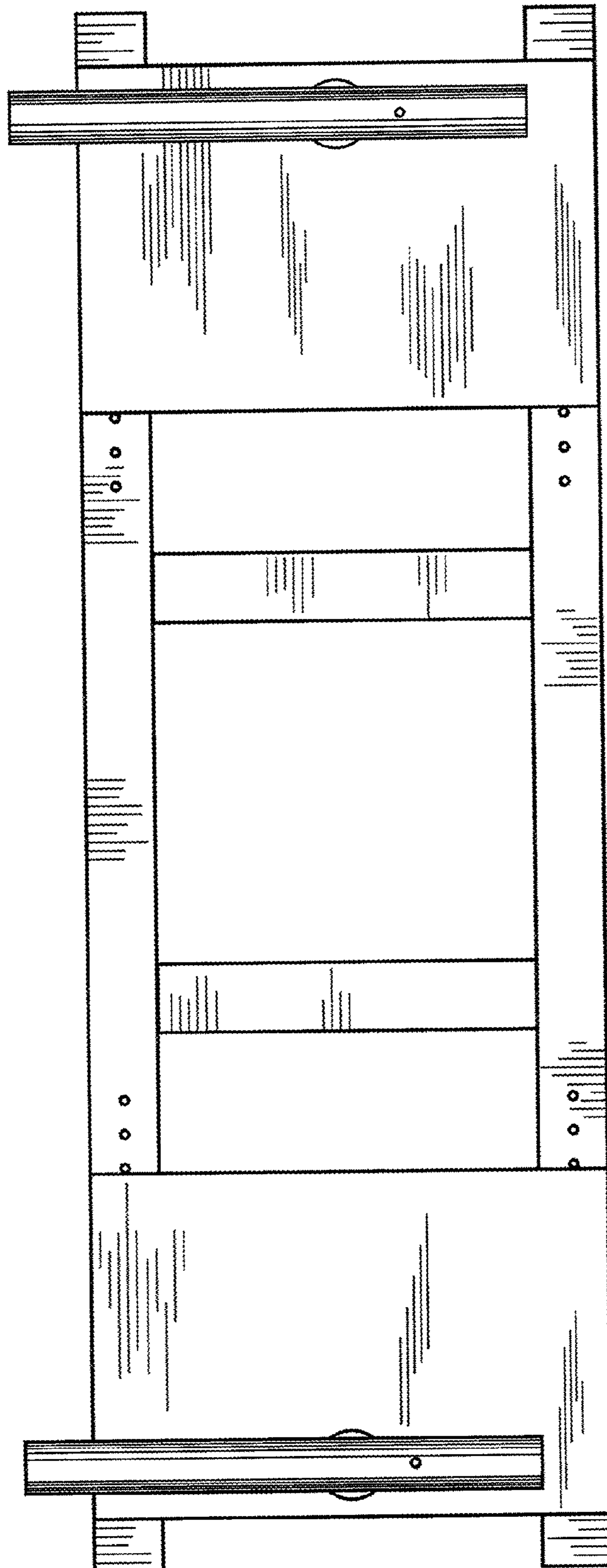
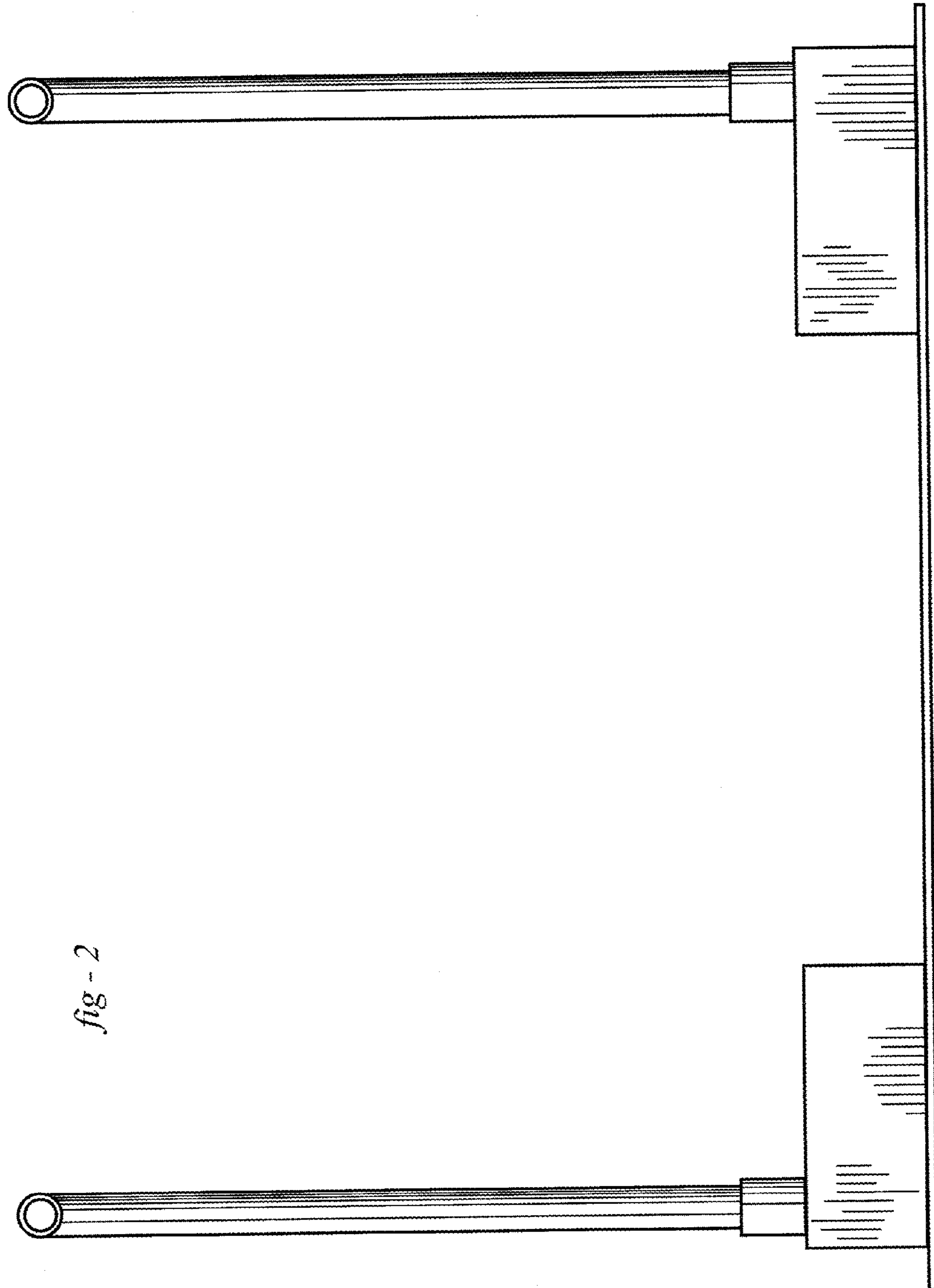


FIG. 4 is a front perspective view of the bicycle training support shown in FIG. 1.

**1 Claim, 4 Drawing Sheets**

*fig -1*





*fig - 2*

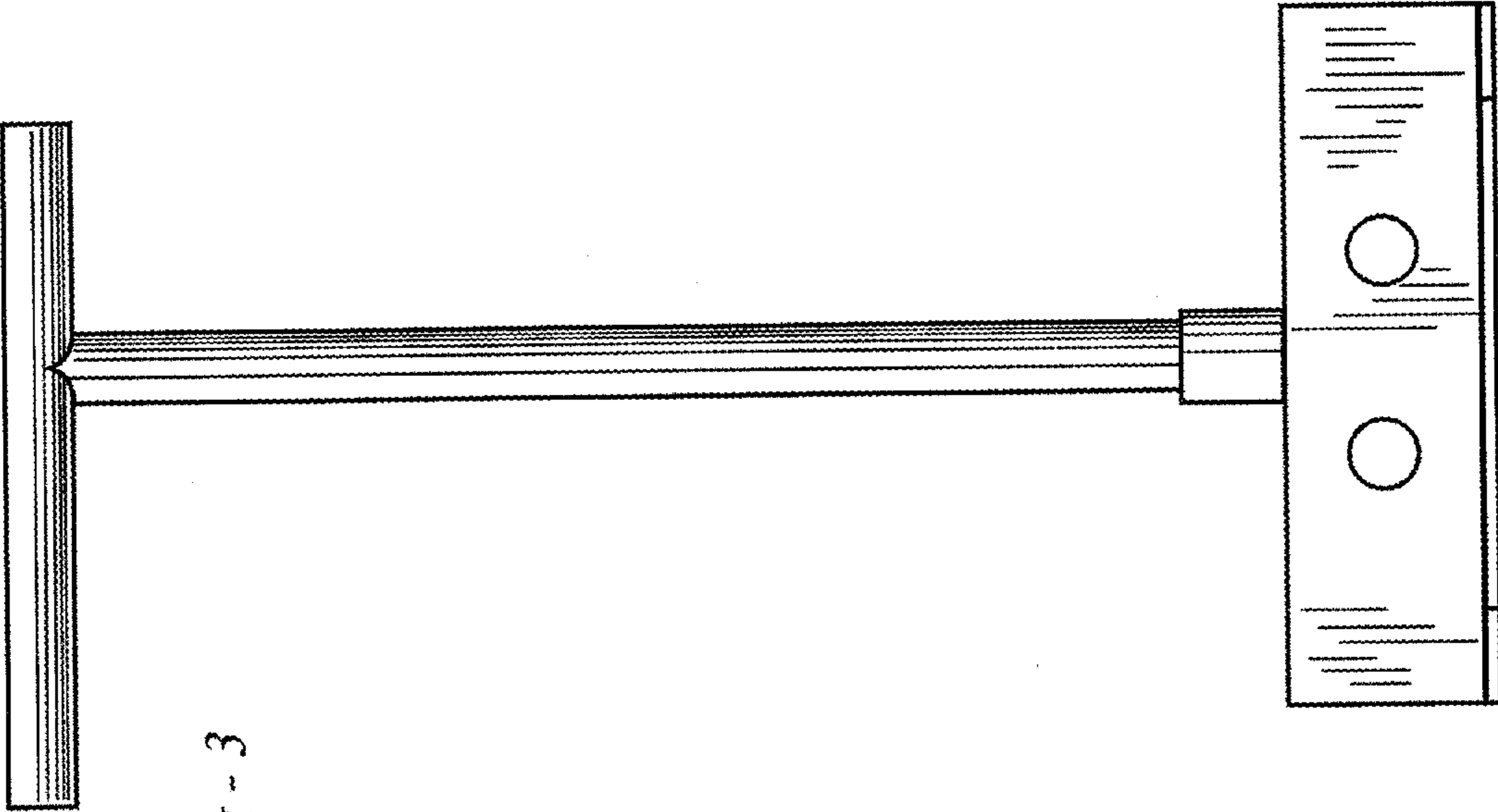
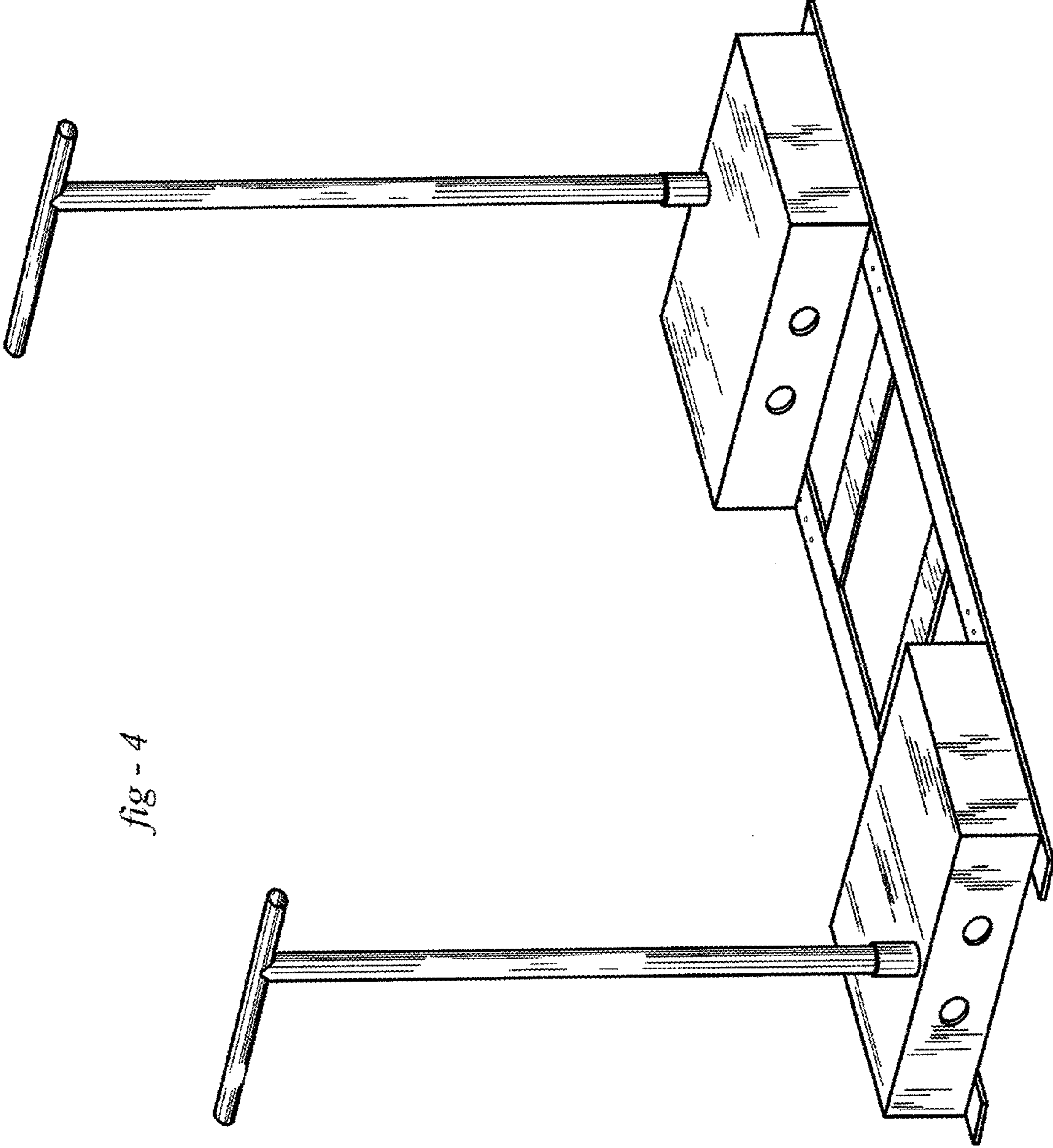


fig - 3



*fig - 4*