



US00D773563S

(12) **United States Design Patent**
Kiribuchi

(10) **Patent No.:** **US D773,563 S**

(45) **Date of Patent:** **** Dec. 6, 2016**

(54) **ASSEMBLING GAME PLATE**

(71) Applicant: **People Co., Ltd.**, Chuo-ku, Tokyo (JP)

(72) Inventor: **Chizuko Kiribuchi**, Tokyo (JP)

(73) Assignee: **People Co., Ltd.**, Chuo-ku, Tokyo (JP)

(**) Term: **15 Years**

(21) Appl. No.: **29/549,484**

(22) Filed: **Dec. 22, 2015**

(30) **Foreign Application Priority Data**

Jul. 8, 2015 (JP) 2015-015237

(51) **LOC (10) Cl.** **21-01**

(52) **U.S. Cl.**
USPC **D21/363**

(58) **Field of Classification Search**
USPC D21/363, 385, 485-495, 498-499,
D21/500-505, 565-566; D25/113-115,
D25/118; 273/153, 156, 160; 434/208, 259,
434/403; 446/69, 85, 95, 102-128
CPC A63F 9/00; A63F 9/0076; A63F 2250/50;
A63F 2250/60; E04C 2/54
See application file for complete search history.

(56) **References Cited**

U.S. PATENT DOCUMENTS

1,165,688	A *	12/1915	Maris	A63F 3/00075 273/262
D257,267	S *	10/1980	Long	D21/363
D257,268	S *	10/1980	Long	D21/363
D263,403	S *	3/1982	Chen	D21/386
4,357,018	A *	11/1982	Calvert	A63F 3/00176 273/236
D312,100	S *	11/1990	Hicks	D21/363
D313,436	S *	1/1991	Erickson	D21/489
D422,035	S *	3/2000	Cyrus	D21/491
7,160,170	B2 *	1/2007	Yoon	A63H 33/046 273/156
D657,826	S *	4/2012	Mimlitch, III	D21/489

D660,373	S *	5/2012	Fuchs	D21/363
2004/0221529	A1 *	11/2004	Zornes	E04B 1/14 52/311.1
2007/0060010	A1 *	3/2007	Richdale	A63H 33/044 446/85

* cited by examiner

Primary Examiner — George D Kirschbaum

Assistant Examiner — Joseph Kukella

(74) *Attorney, Agent, or Firm* — Leydig, Voit & Mayer

(57) **CLAIM**

The ornamental design for an assembling game plate, as shown and described.

DESCRIPTION

FIG. 1 is a front view of an assembling game plate of the present invention including magnets, a housing, and ribs.

FIG. 2 is a rear view thereof.

FIG. 3 is a top plan view thereof.

FIG. 4 is a bottom view thereof.

FIG. 5 is a right side view thereof.

FIG. 6 is a left side view thereof.

FIG. 7 is a perspective view thereof.

FIG. 8 is an enlarged sectional view thereof taken along section line 8-8 of FIG. 1.

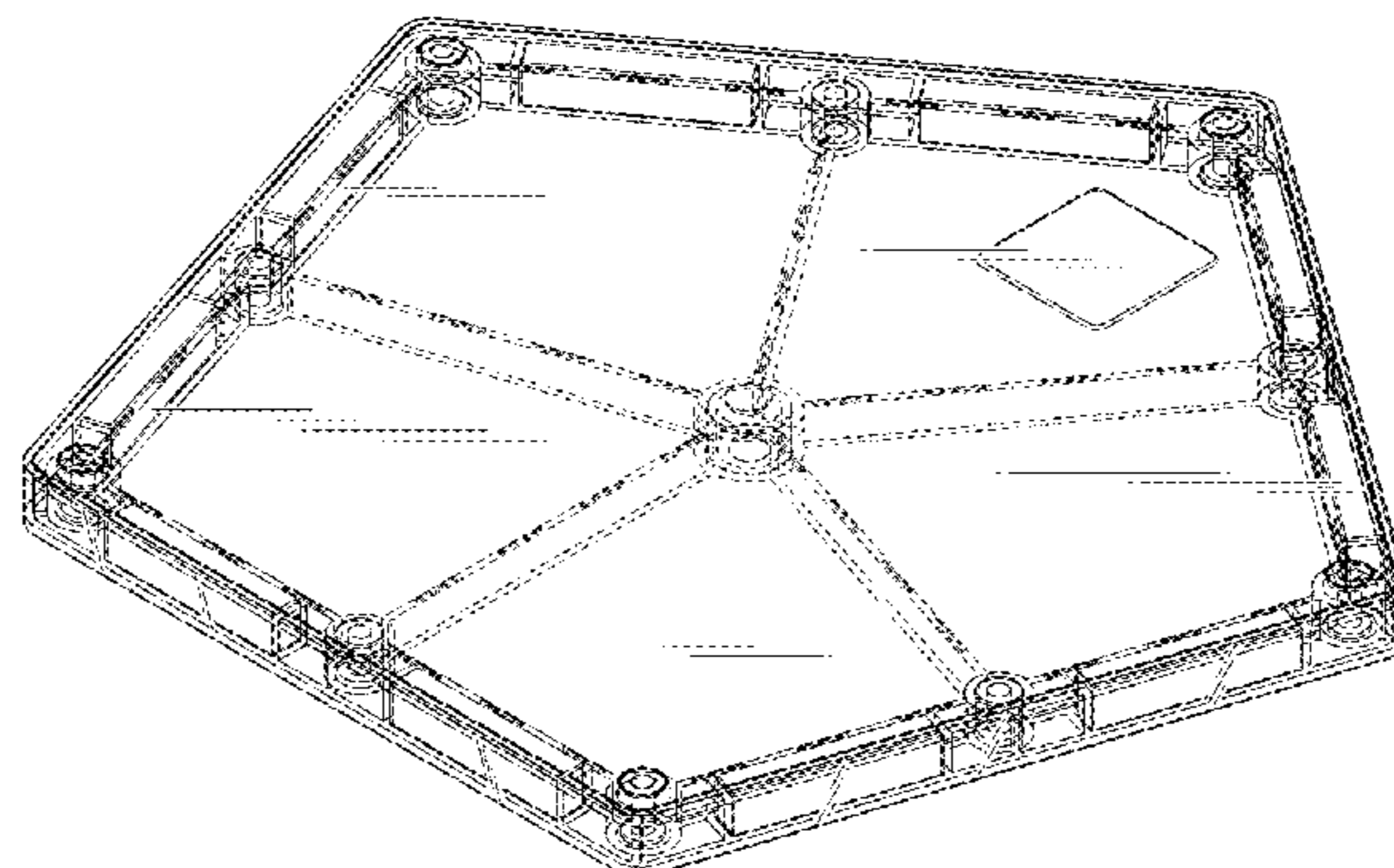
FIG. 9 is an enlarged sectional view thereof taken along section line 9-9 of FIG. 3.

FIG. 10 is an enlarged view of the portion indicated by arrows 10-10 of the assembling game plate of FIG. 1; and, FIG. 11 is an enlarged view of the portion indicated by arrows 11-11 of the assembling game plate of FIG. 1.

The alternating long and short dashed lines indicate bounds of the claimed design and form no part thereof. The alternate long and short dashed lines, which are the short arch-shaped lines connecting between the two broken lines of the ribs, are present at the tip of the peripheral sides of the ribs that extend radially from the center of the design in FIG. 1, FIG. 2, FIG. 10 and FIG. 11.

The features shown in broken lines depict environmental subject matter only and form no part of the claimed design.

1 Claim, 11 Drawing Sheets



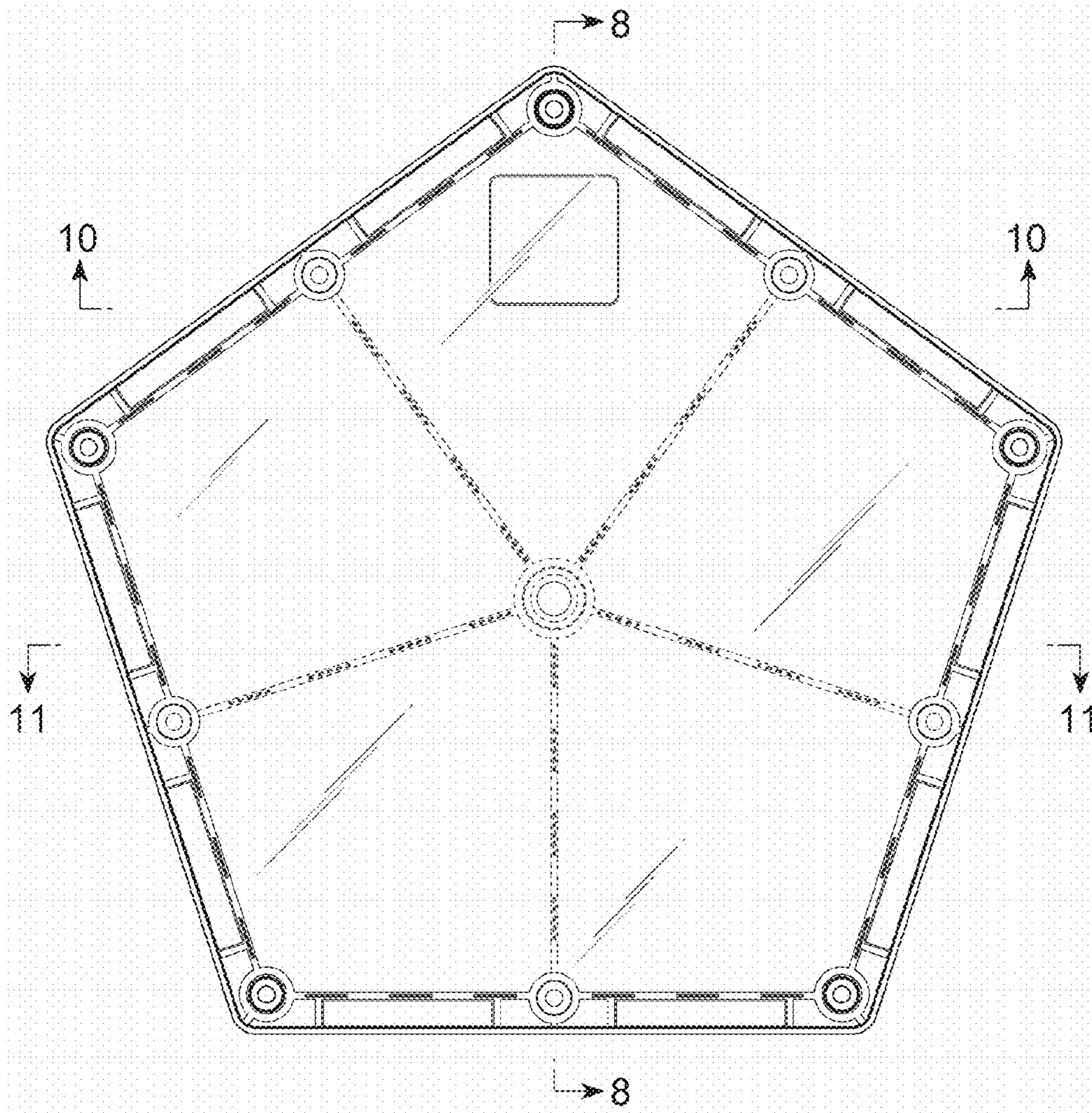


FIG. 1

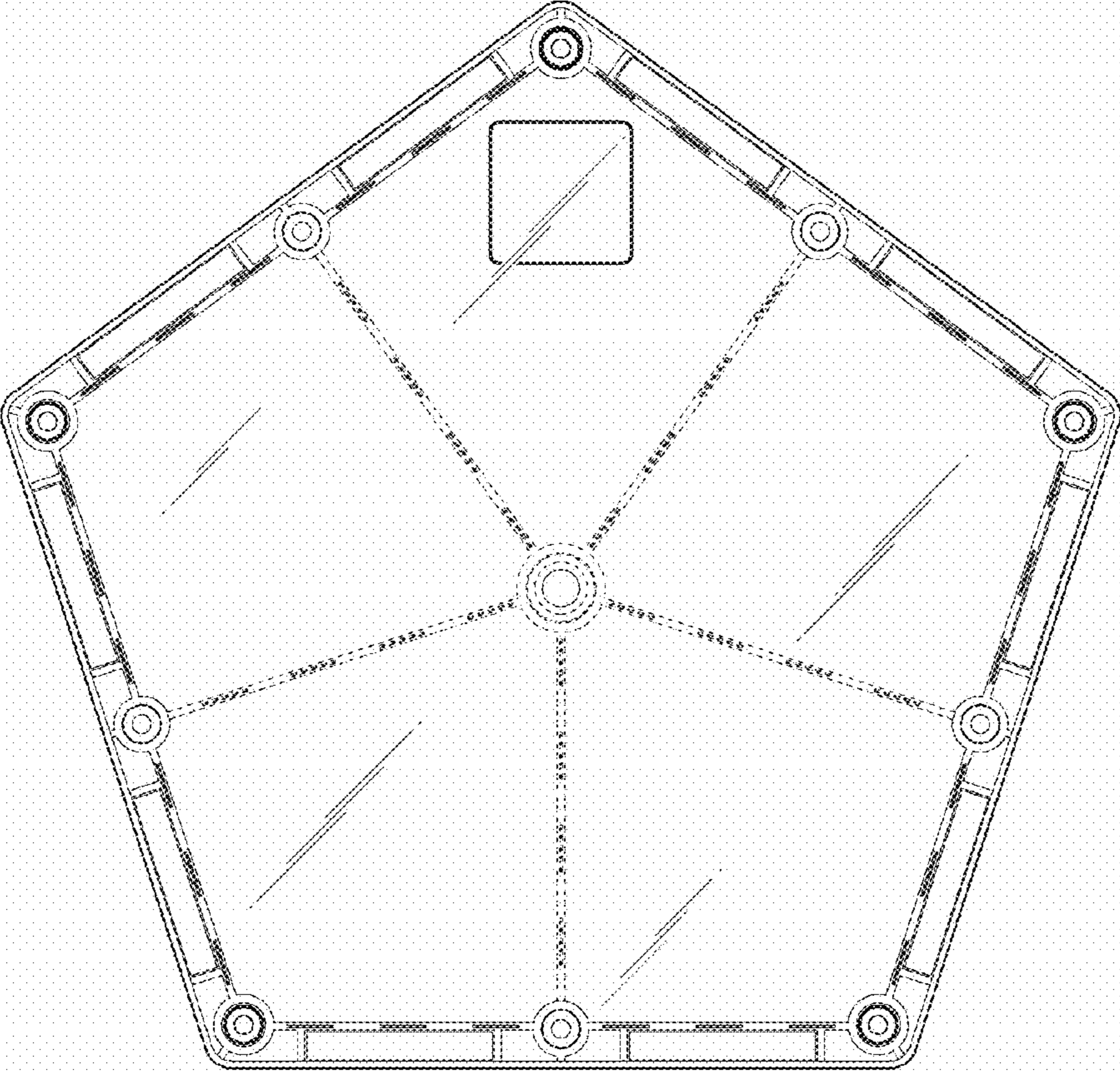


FIG. 2

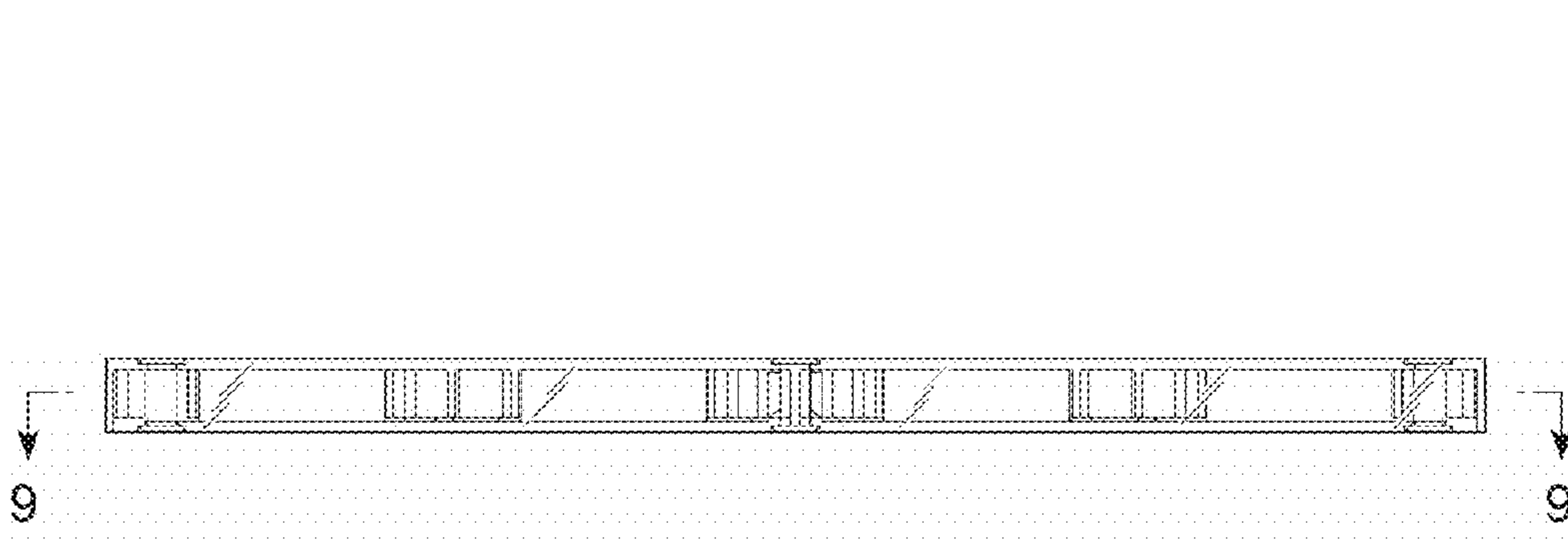


FIG. 3

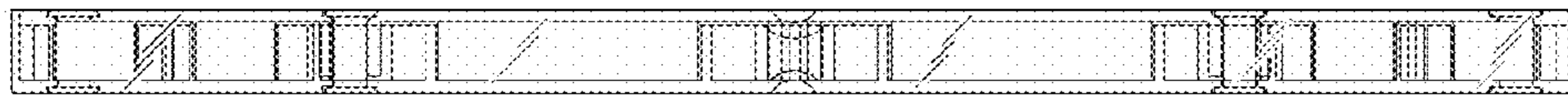


FIG. 4



FIG. 5

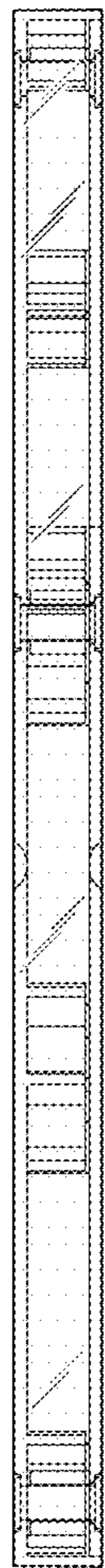


FIG. 6

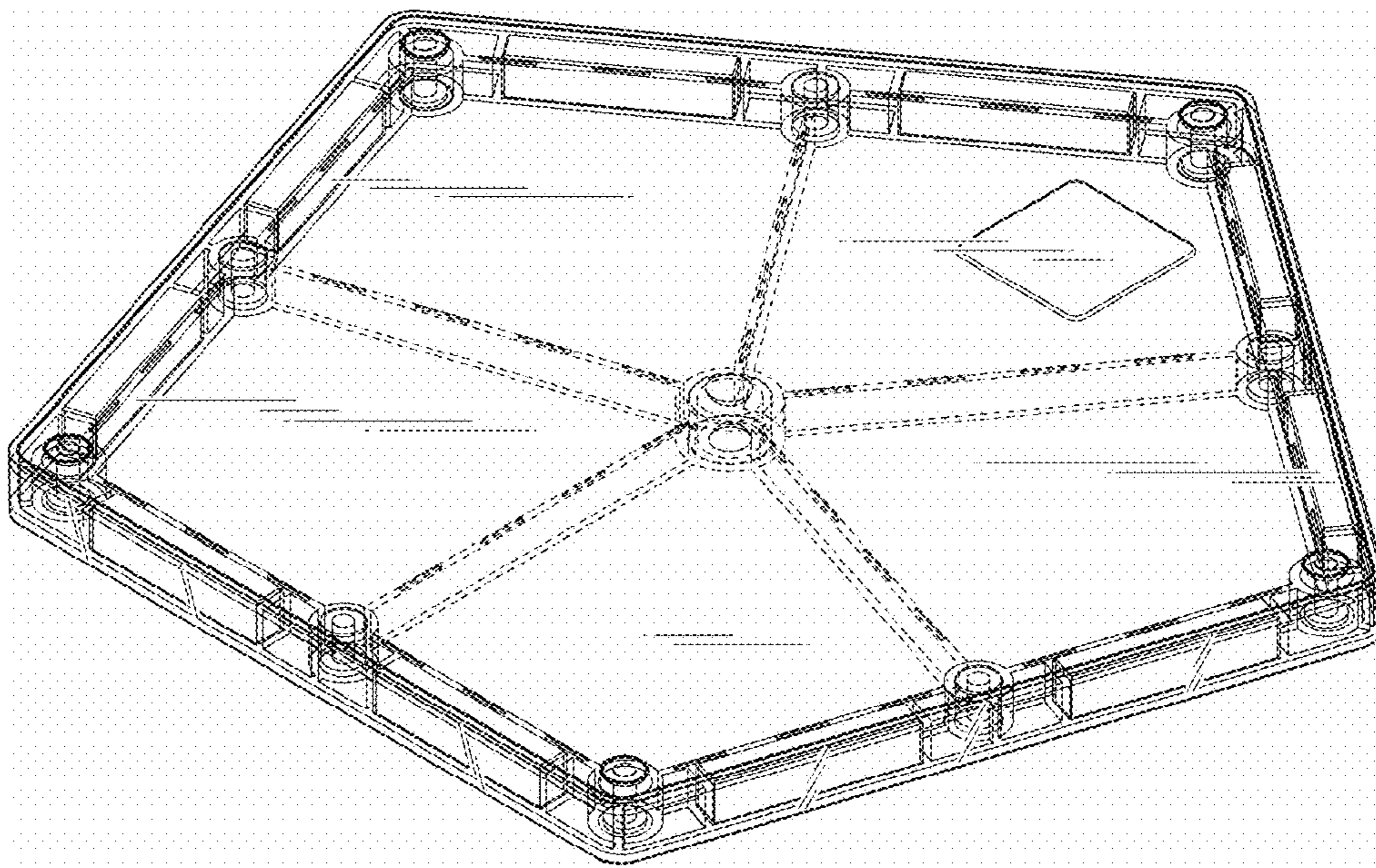


FIG. 7



FIG. 8

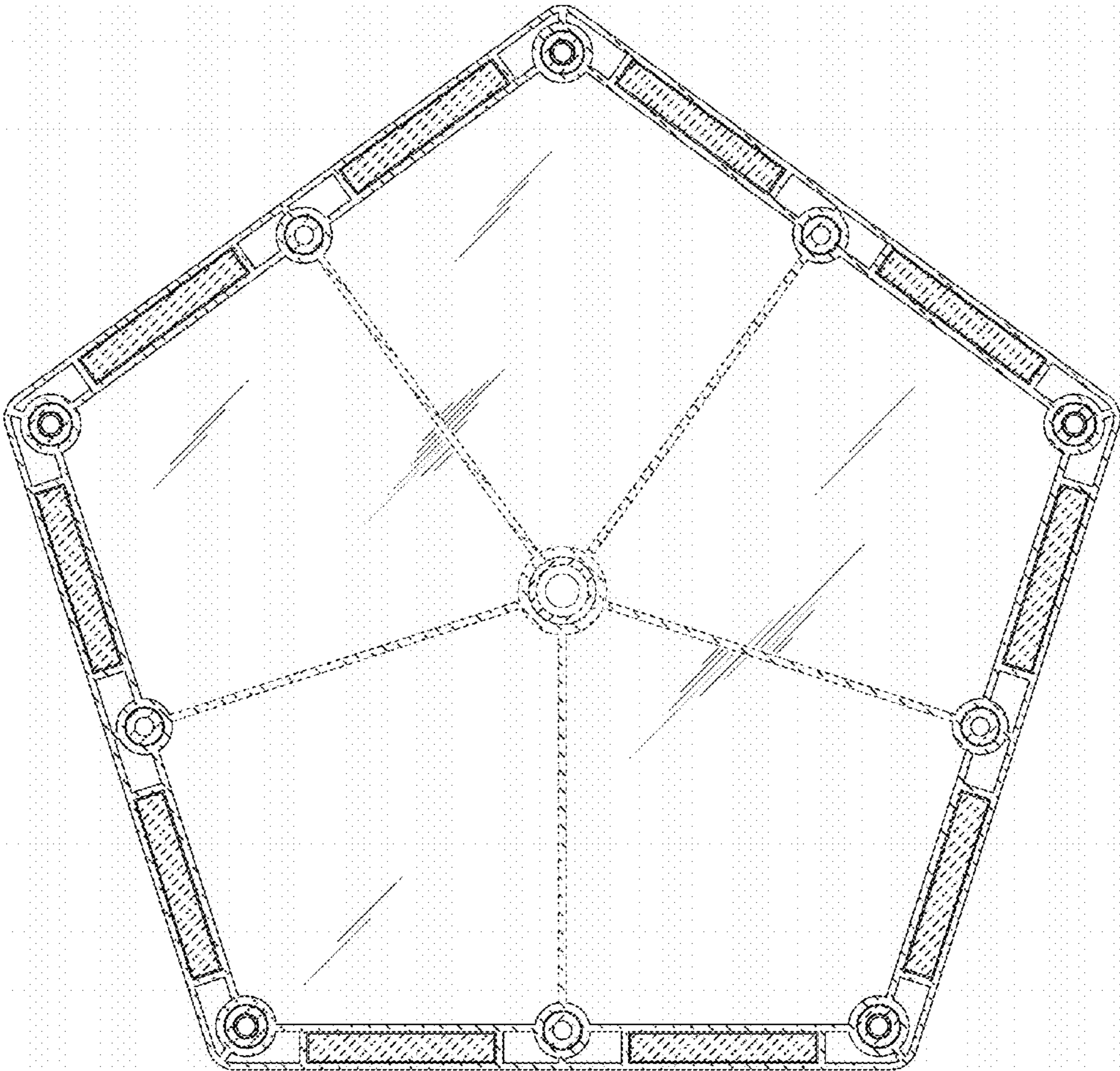


FIG. 9

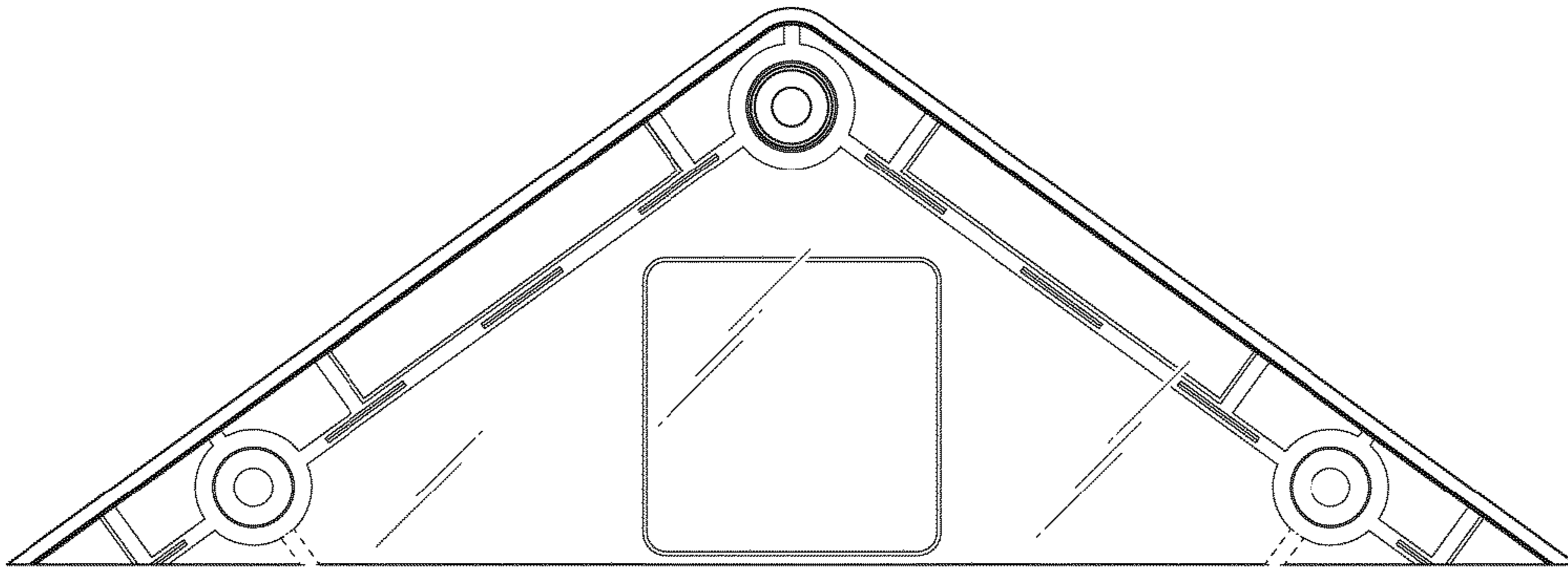


FIG. 10

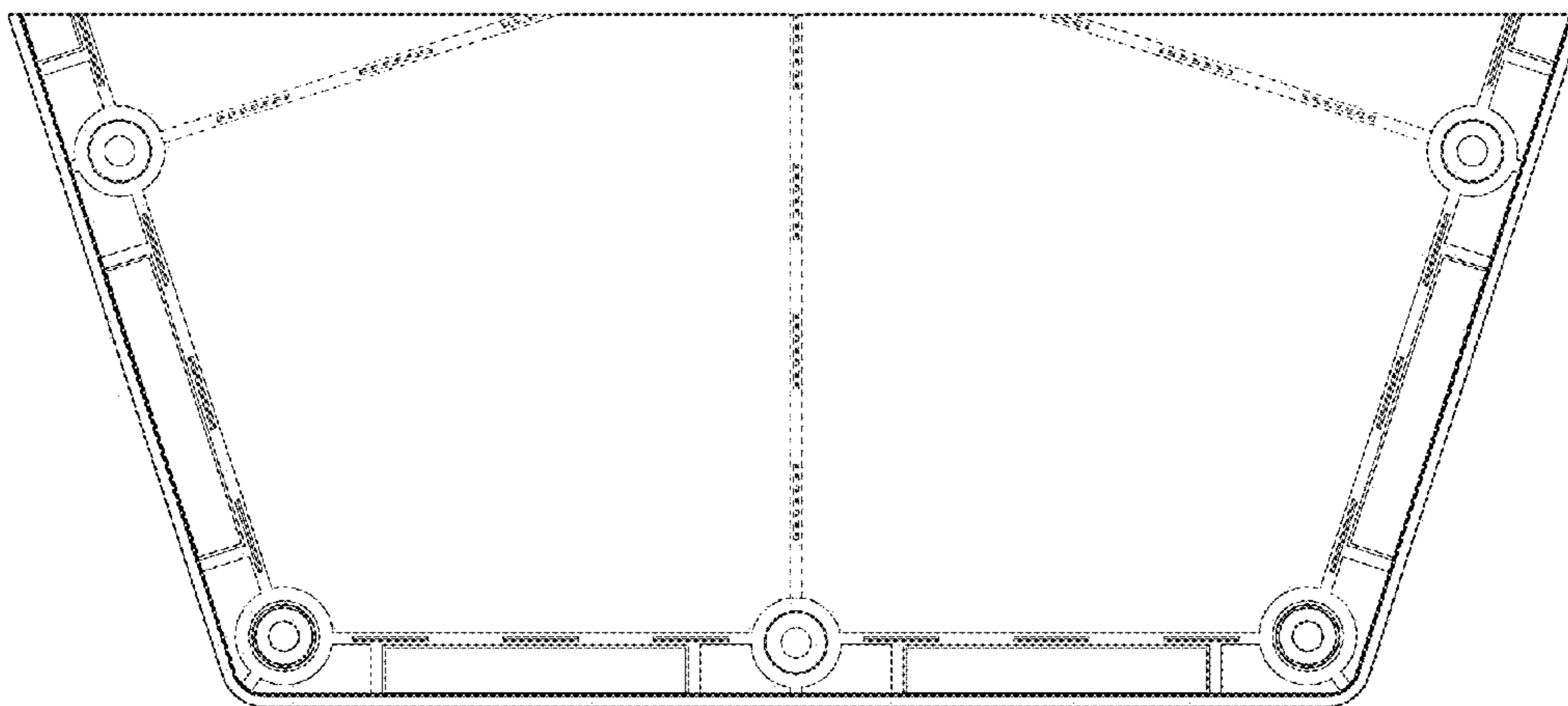


FIG. 11