



US00D773562S

(12) **United States Design Patent**
Kiribuchi

(10) **Patent No.:** **US D773,562 S**

(45) **Date of Patent:** **** Dec. 6, 2016**

(54) **ASSEMBLING GAME PLATE**
(71) Applicant: **People Co., Ltd.**, Chuo-ku, Tokyo (JP)
(72) Inventor: **Chizuko Kiribuchi**, Tokyo (JP)
(73) Assignee: **People Co., Ltd.**, Chuo-ku, Tokyo (JP)
(**) Term: **15 Years**
(21) Appl. No.: **29/549,483**

4,357,018 A * 11/1982 Calvert A63F 3/00176
273/236
D312,100 S * 11/1990 Hicks D21/363
D313,436 S * 1/1991 Erickson D21/489
D422,035 S * 3/2000 Cyrus D21/491
7,160,170 B2 * 1/2007 Yoon A63H 33/046
273/156
D657,826 S * 4/2012 Mimlitch, III D21/489
D660,373 S * 5/2012 Fuchs D21/363
2004/0221529 A1 * 11/2004 Zornes E04B 1/14
52/311.1
2007/0060010 A1 * 3/2007 Richdale A63H 33/044
446/85

(22) Filed: **Dec. 22, 2015**

* cited by examiner

(30) **Foreign Application Priority Data**

Primary Examiner — George D Kirschbaum

Assistant Examiner — Joseph Kukella

Jul. 8, 2015 (JP) 2015-015235

(74) *Attorney, Agent, or Firm* — Leydig, Voit & Mayer

(51) **LOC (10) Cl.** **21-01**

(57) **CLAIM**

(52) **U.S. Cl.**
USPC **D21/363**

The ornamental design for an assembling game plate, as shown and described.

(58) **Field of Classification Search**

DESCRIPTION

USPC D21/363, 385, 485–495, 498–499,
D21/500–505, 565–566; D25/113–115,
D25/118; 273/153, 156, 160; 434/208, 259,
434/403; 446/69, 85, 95, 102–128

FIG. 1 is a front view of an assembling game plate of the present invention including magnets, a housing, and ribs.

CPC A63F 9/00; A63F 9/0076; A63F 2250/50;
A63F 2250/60; E04C 2/54

FIG. 2 is a rear view thereof.

See application file for complete search history.

FIG. 3 is a top plan view thereof.

FIG. 4 is a bottom view thereof.

FIG. 5 is a right side view thereof.

FIG. 6 is a left side view thereof.

FIG. 7 is a perspective view thereof.

FIG. 8 is an enlarged sectional view thereof taken along section line 8-8 of FIG. 1; and,

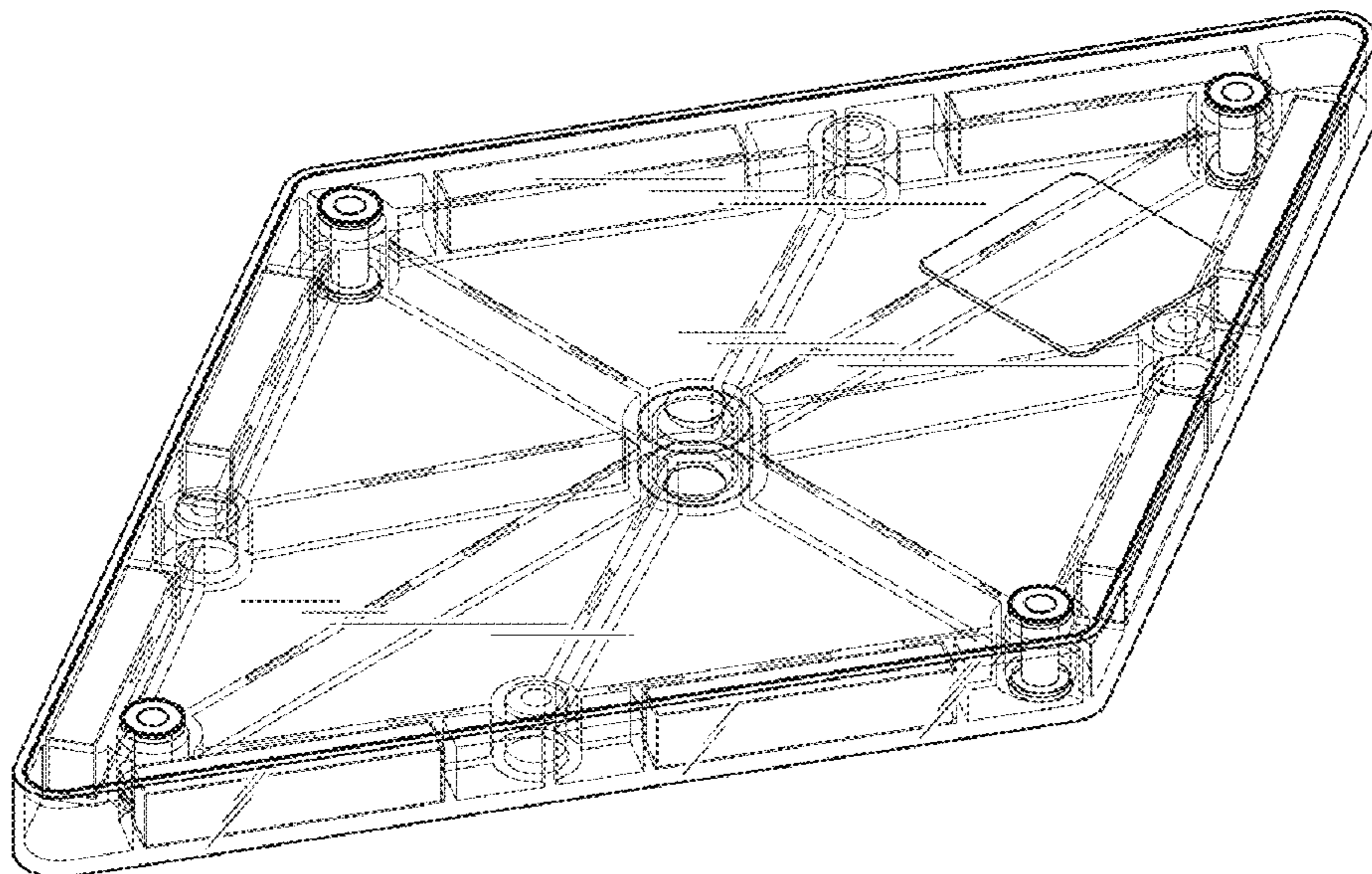
FIG. 9 is an enlarged sectional view thereof taken along section line 9-9 of FIG. 3.

(56) **References Cited**

U.S. PATENT DOCUMENTS

1,165,688 A * 12/1915 Maris A63F 3/00075
273/262
D257,267 S * 10/1980 Long D21/363
D257,268 S * 10/1980 Long D21/363
D263,403 S * 3/1982 Chen D21/386

1 Claim, 9 Drawing Sheets



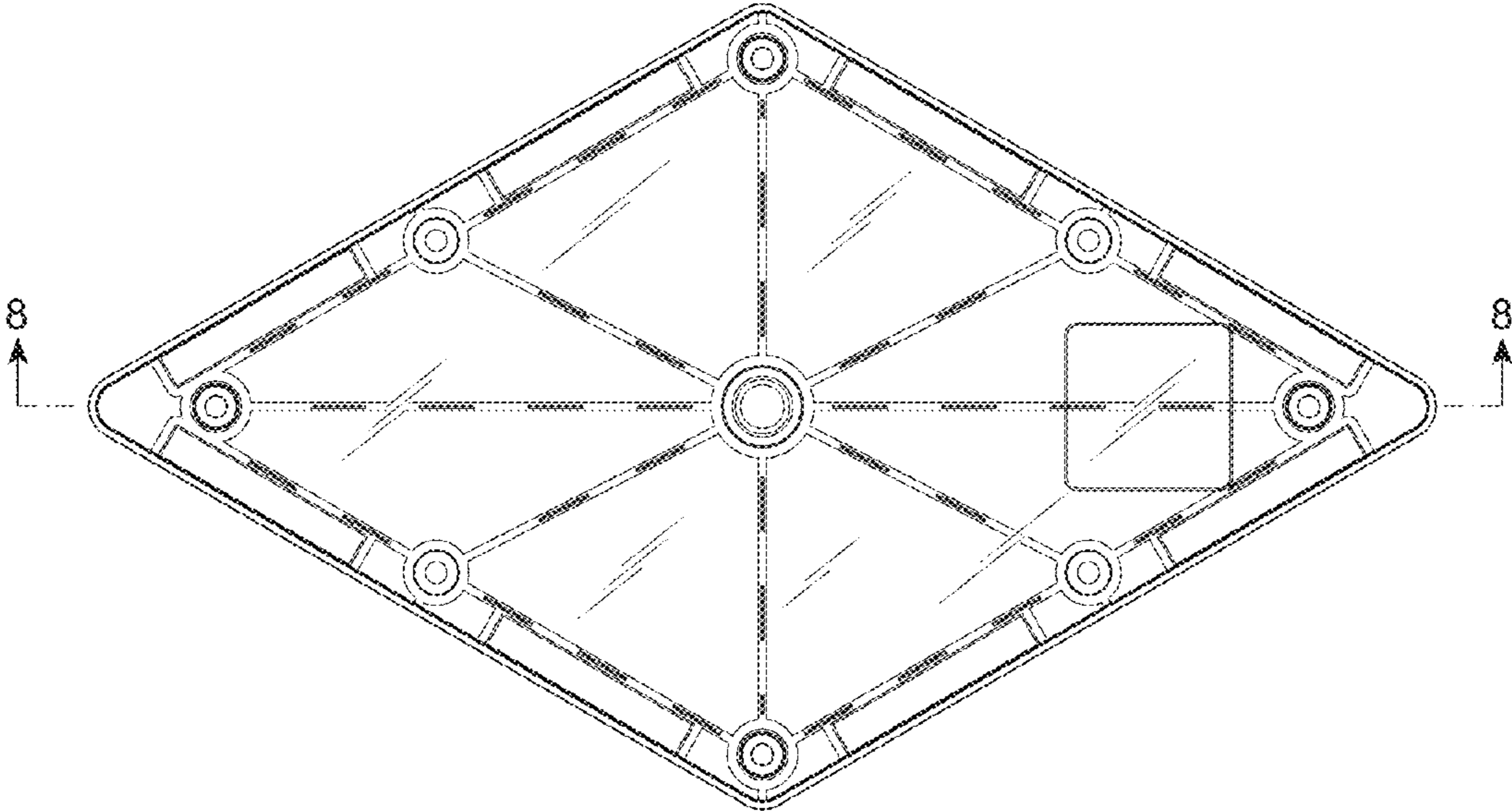


FIG. 1

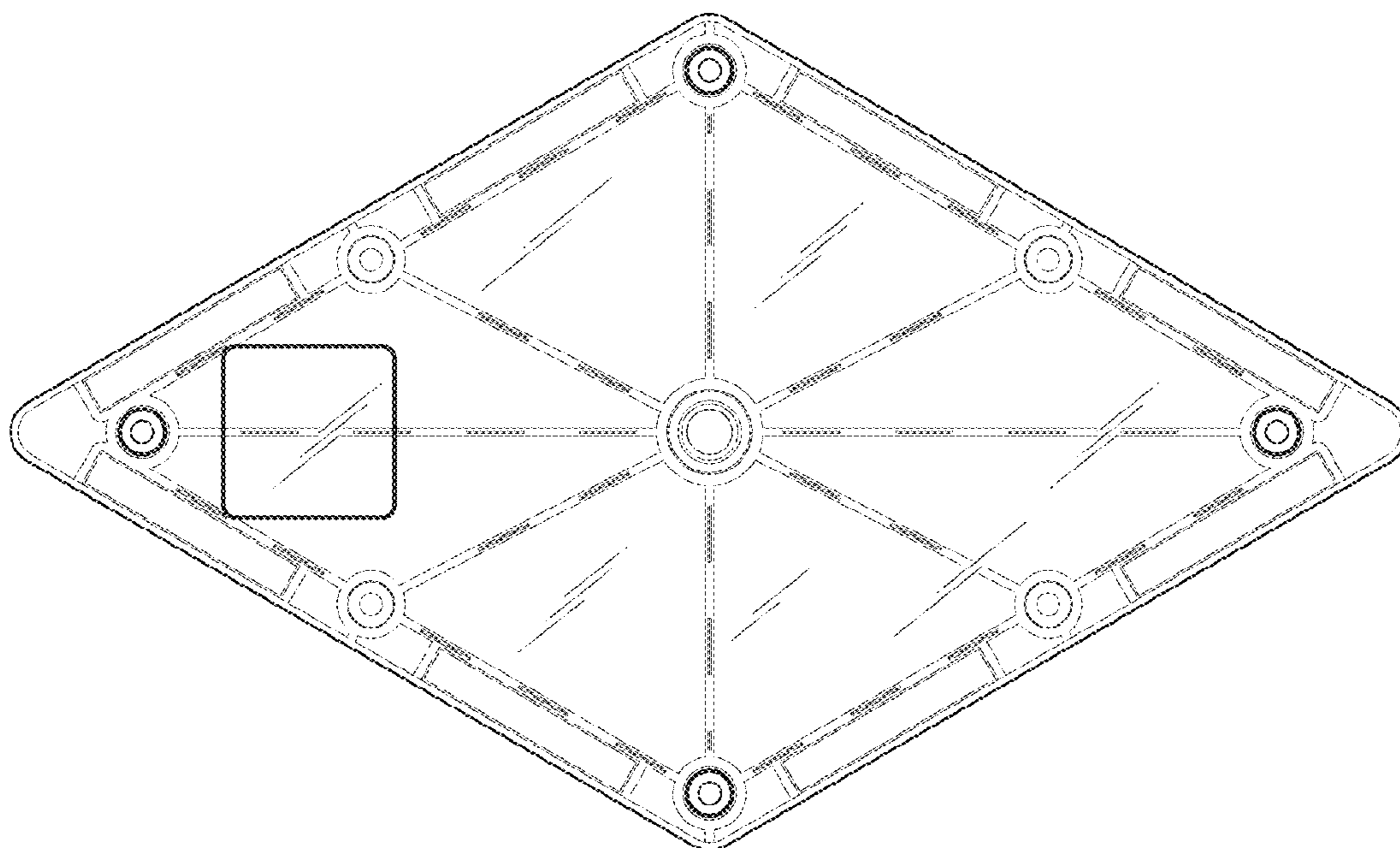


FIG. 2

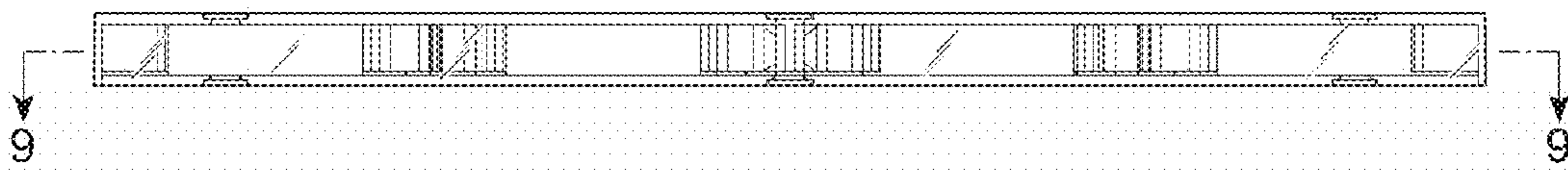


FIG. 3



FIG. 4

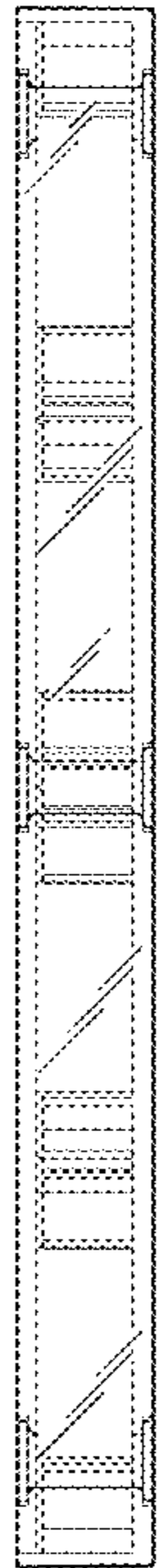


FIG. 5

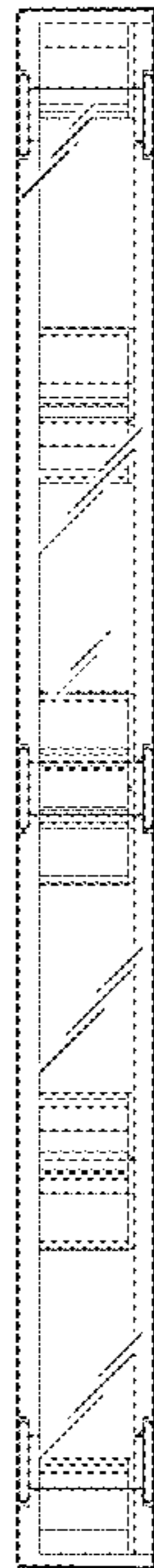


FIG. 6

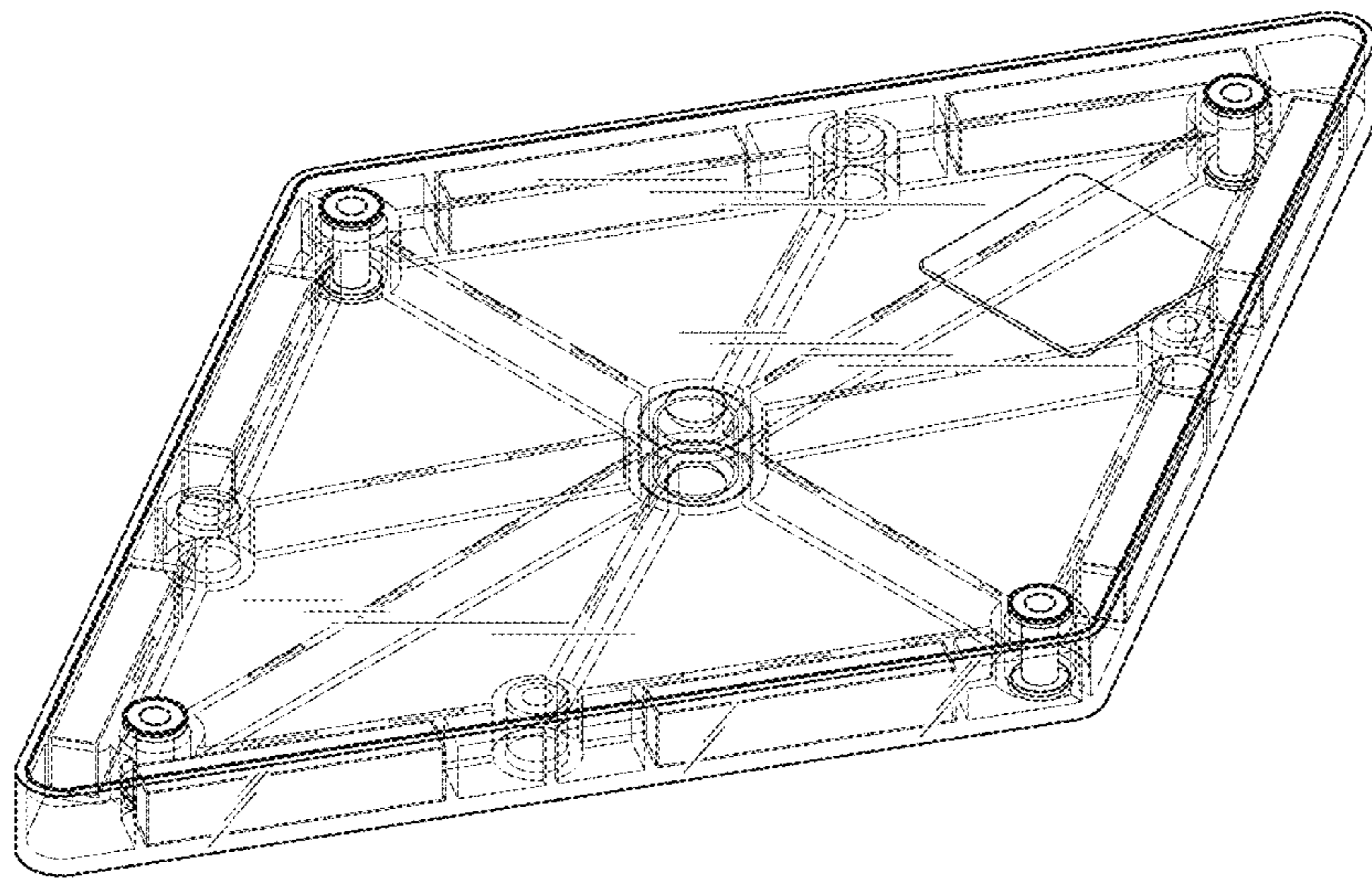


FIG. 7

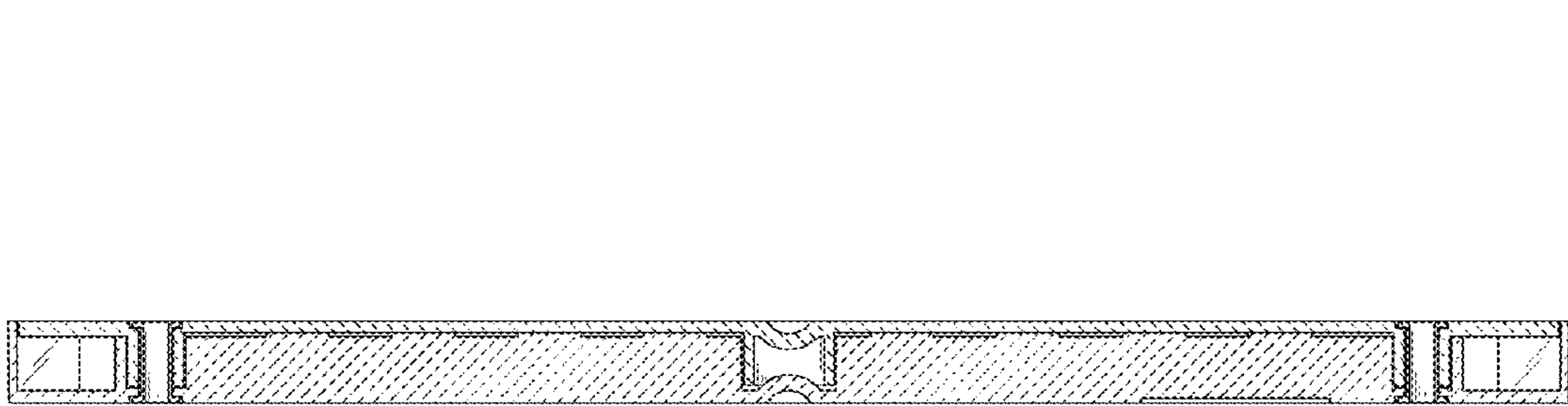


FIG. 8

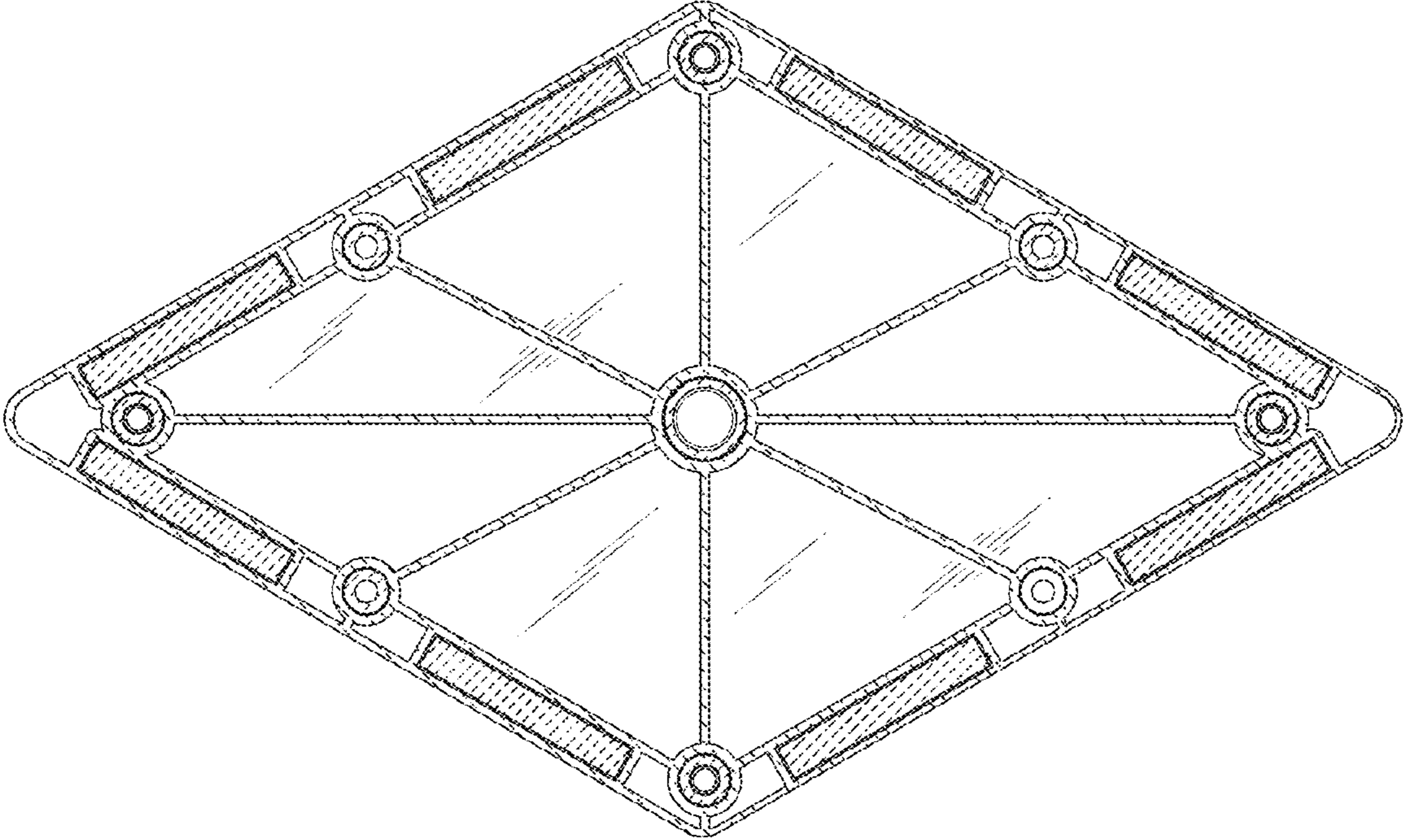


FIG. 9