



US00D773561S

(12) **United States Design Patent** (10) **Patent No.:** **US D773,561 S**
Kujawski et al. (45) **Date of Patent:** **** *Dec. 6, 2016**

(54) **CONTROLLER WITH REMOVABLE THUMBSTICK ATTACHMENT**

D415,752 S 10/1999 Tyler et al.
D424,047 S 5/2000 Chan
D435,551 S 12/2000 Hayes

(Continued)

(71) Applicant: **Microsoft Corporation**, Redmond, WA (US)

FOREIGN PATENT DOCUMENTS

(72) Inventors: **Christopher Kujawski**, Seattle, WA (US); **Kenneth Jasinski**, Seattle, WA (US); **Carl J. Ledbetter**, Mercer Island, WA (US)

JP D1297485 4/2007
JP 1492113 2/2014

(Continued)

(73) Assignee: **Microsoft Corporation**, Redmond, WA (US)

OTHER PUBLICATIONS

(*) Notice: This patent is subject to a terminal disclaimer.

May 2, 2016 —(US) Notice of Allowance—U.S. Appl. No. 29/530,225, filed Jun. 15, 2015; Inv: Christopher Kujawski.

(Continued)

(**) Term: **15 Years**

Primary Examiner — Prabhakar Deshmukh

(74) *Attorney, Agent, or Firm* — Banner & Witcoff, Ltd.

(21) Appl. No.: **29/530,112**

(57) **CLAIM**

(22) Filed: **Jun. 12, 2015**

The ornamental design for a controller with removable thumbstick attachment, as shown and described.

(51) **LOC (10) Cl.** **21-01**

(52) **U.S. Cl.**
USPC **D21/333; D14/401**

(58) **Field of Classification Search**
USPC D14/496, 401, 435, 474, 483, 217, 137, D14/138, 160, 168, 356, 203.1–203.8, 507; 345/156, 169, 173–179, 905; 715/727–729, 715/864, 700, 706, 719; 710/1, 5, 8; 713/1, 600; 455/1.1, 1.7, 73, 344–347, 93, 95, 455/3.01–3.06, 550.1, 573.1; 370/342–344; 369/1, 2, 6–12; 463/51–57, 40–47, 1, 463/29–35; D21/324, 328, 333; 273/148 B
CPC A63F 13/00; A63F 13/02; A63F 9/00; G06F 17/00; G06F 19/00
See application file for complete search history.

DESCRIPTION

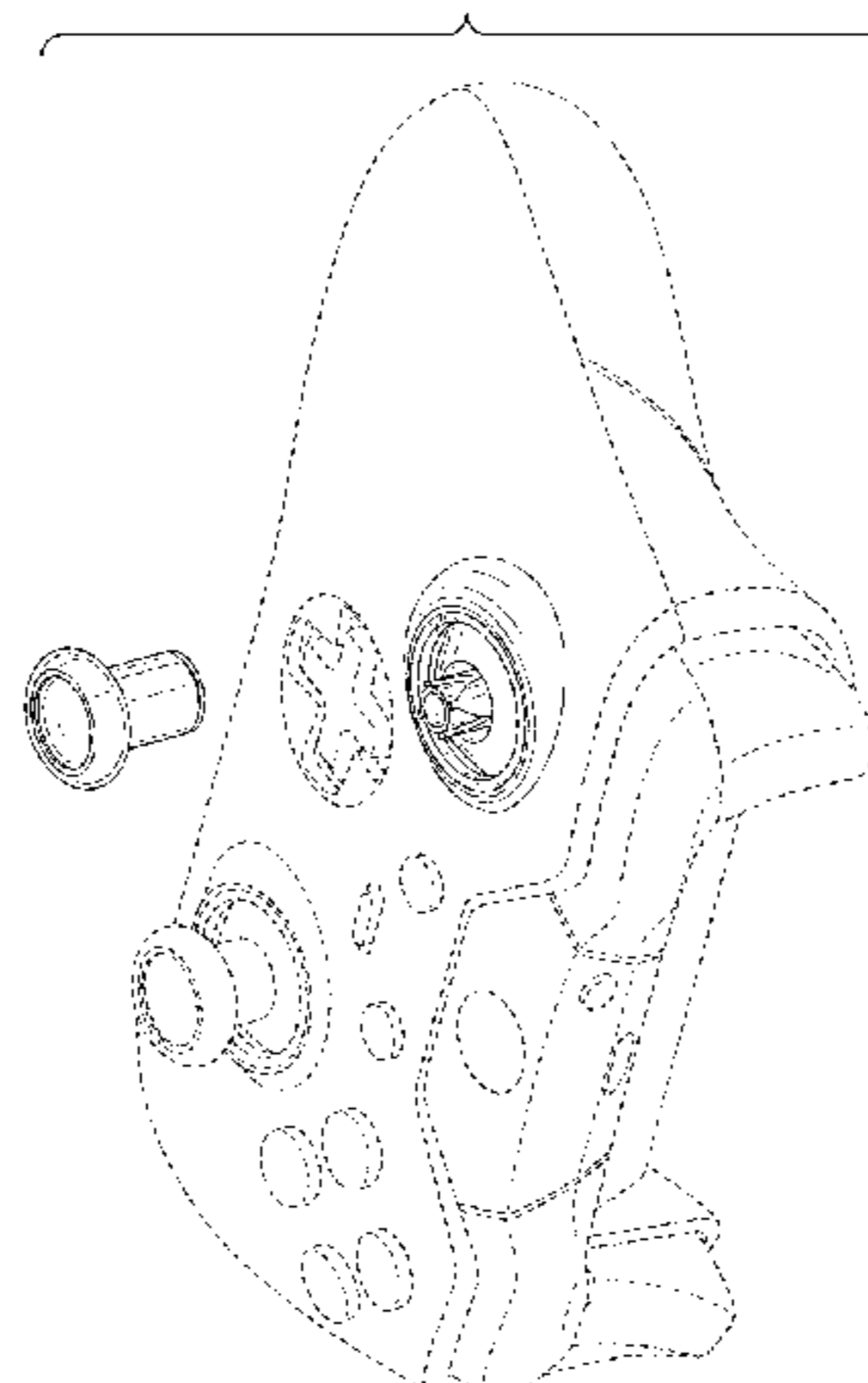
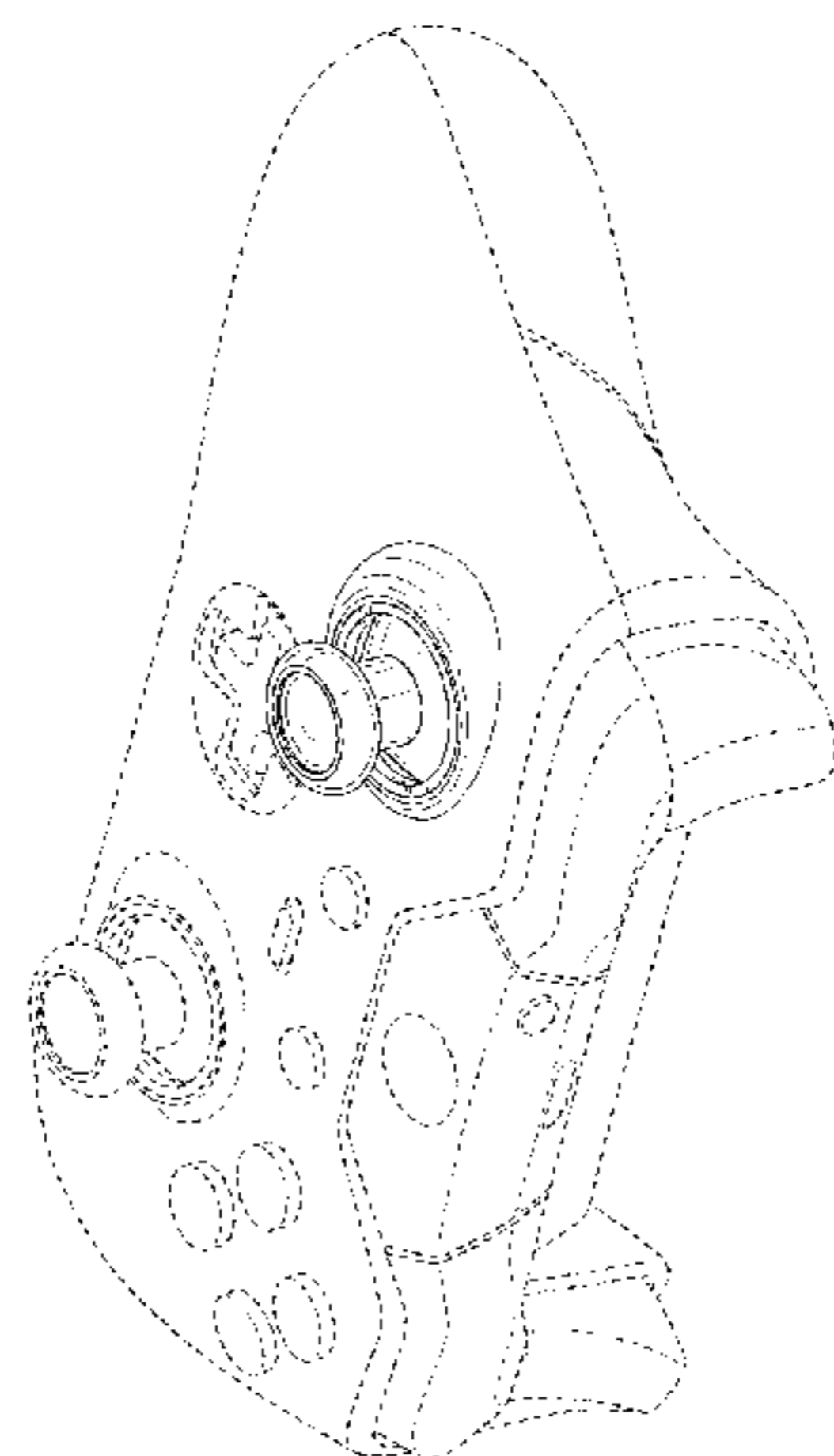
FIG. 1 is a front perspective view of a controller with removable thumbstick attachment showing our new design; FIG. 2 is a top view thereof; FIG. 3 is a front view thereof; FIG. 4 is a rear view thereof; FIG. 5 is a right side view thereof; FIG. 6 is a left side view thereof; FIG. 7 is an exploded front perspective view thereof with the thumbstick detached from the base; FIG. 8 is a top view thereof; FIG. 9 is a front view thereof; FIG. 10 is a rear view thereof; FIG. 11 is a right side view thereof; FIG. 12 is a left side view thereof; and, FIG. 13 is a bottom view thereof.

(Continued)

(56) **References Cited**

U.S. PATENT DOCUMENTS

D368,936 S 4/1996 Goto
D398,214 S 9/1998 Yui



The broken line showing of the remainder of the controller with removable thumbstick attachment is for environmental purposes only and forms no part of the claimed design.

1 Claim, 13 Drawing Sheets

(56)

References Cited

U.S. PATENT DOCUMENTS

6,231,444	B1	5/2001	Goto et al.	
D449,042	S	10/2001	Chung	
D453,932	S	2/2002	Han et al.	
6,463,159	B1	10/2002	Ming-Cheng	
D467,922	S	12/2002	Lee	
D476,376	S	6/2003	Wintersteiger	
6,572,108	B1	6/2003	Bristow	
6,743,100	B1	6/2004	Neiser	
6,956,559	B2 *	10/2005	Hagiwara	A63F 13/06 345/156
6,968,070	B1	11/2005	Chiang	
D521,015	S	5/2006	Hayes et al.	
D522,011	S	5/2006	Hayes et al.	
D522,012	S	5/2006	Hayes et al.	
7,063,321	B2	6/2006	Hussaini et al.	
7,105,754	B2	9/2006	Turner	
D533,011	S	12/2006	Pai	
7,195,561	B2	3/2007	Hussaini et al.	
7,235,012	B2	6/2007	DiDato	
D547,763	S *	7/2007	Hayes	D14/401
D556,201	S	11/2007	Ashida et al.	
7,314,413	B2	1/2008	Ogata et al.	
D563,480	S	3/2008	Blaseflug et al.	
D565,668	S	4/2008	Baseflug et al.	
D568,335	S	5/2008	Armstrong et al.	
D569,388	S	5/2008	Armstrong et al.	
D581,422	S	11/2008	Hayes et al.	
7,445,550	B2	11/2008	Barney et al.	
D601,564	S	10/2009	Maeno	
D619,596	S	7/2010	Maitlen et al.	
7,762,553	B2 *	7/2010	Harris	A63F 13/02 273/148 B
D624,049	S	9/2010	Liu	
7,887,768	B2	2/2011	Honjo et al.	
D636,773	S *	4/2011	Lin	D14/401
D637,153	S	5/2011	Ikeda et al.	
D638,016	S	5/2011	Ikeda	
D646,275	S	10/2011	Ikeda et al.	
D650,795	S	12/2011	Koehn	
D655,350	S	3/2012	Taniguchi et al.	
D658,178	S	4/2012	Ikeda et al.	
D658,179	S	4/2012	Ikeda et al.	
D659,140	S	5/2012	Ikeda et al.	
D667,892	S	9/2012	Burgess et al.	
D685,434	S	7/2013	Ali et al.	
8,487,876	B2 *	7/2013	Ikeda	A63F 13/06 273/148 B
D692,001	S	10/2013	Ibuki et al.	
8,545,323	B2 *	10/2013	McVicar	A63F 13/06 345/161
D692,887	S	11/2013	Ibuki et al.	
D694,830	S	12/2013	Crowley et al.	
D700,182	S	2/2014	Kidakarn	
8,641,525	B2	2/2014	Burgess et al.	

D707,758	S	6/2014	Norman et al.	
D708,615	S *	7/2014	Delrue	D14/401
D709,498	S	7/2014	Morris et al.	
D709,499	S *	7/2014	Morris	D14/401
D709,882	S *	7/2014	Morris	D14/401
D712,973	S	9/2014	Sumii et al.	
D715,865	S *	10/2014	Morris	D21/333
8,903,100	B2	12/2014	Hiraki	
8,903,111	B2 *	12/2014	Garet	345/156
8,925,414	B1 *	1/2015	Park	B63H 21/21 137/636.1

8,994,666	B2	3/2015	Karpfinger	
D730,451	S	5/2015	Burgess et al.	
9,029,721	B2	5/2015	Ikeda et al.	
9,053,243	B2	6/2015	Townsend	
D733,802	S	7/2015	Burgess et al.	
D736,322	S	8/2015	Navid	
9,118,750	B2	8/2015	Vossoughi et al.	
D748,734	S	2/2016	Burgess et al.	
9,251,701	B2	2/2016	Plagge et al.	
2006/0116204	A1	6/2006	Chen et al.	

FOREIGN PATENT DOCUMENTS

JP	D1549312	4/2016
TW	D165793	2/2015

OTHER PUBLICATIONS

May 11, 2016—(US) Restriction Requirement—U.S. Appl. No. 29/530,106, filed Jun. 15, 2015; Inv: Christopher Kujawski.

May 10, 2016—(US) Restriction Requirement—U.S. Appl. No. 29/530,098, filed Jun. 15, 2015; Inv: Christopher Kujawski.

May 17, 2016 —(US) Notice of Allowance—U.S. Appl. No. 29/530,102, filed Jun. 12, 2015; Inv: Christopher Kujawski.

May 6, 2016—(US) Notice of Allowance—U.S. Appl. No. 29/530,110, filed Jun. 12, 2015; Inv: Christopher Kujawski.

May 5, 2016—(US) Notice of Allowance—U.S. Appl. No. 29/530,108, filed Jun. 12, 2015; Inv: Christopher Kujawski.

May 2, 2016—(US) Notice of Allowance—U.S. Appl. No. 29/530,122, filed Jun. 12, 2015; Inv: Christopher Kujawski.

Apr. 26, 2016—(US) Notice of Allowance—U.S. Appl. No. 29/530,111, filed Jun. 12, 2015; Inv: Christopher Kujawski.

Apr. 11, 2016—(US) Notice of Allowance—U.S. Appl. No. 29/530,113, filed Jun. 12, 2015; Inv: Christopher Kujawski.

Apr. 14, 2016—(US) Non-Final Office Action—U.S. Appl. No. 29/530,114, filed Jun. 12, 2015; Inv: Christopher Kujawski.

Apr. 11, 2016—(US) Notice of Allowance—U.S. Appl. No. 29/530,115, filed Jun. 12, 2015; Inv: Christopher Kujawski.

May 6, 2016—(US) Notice of Allowance—U.S. Appl. No. 29/530,116, filed Jun. 12, 2015; Inv: Christopher Kujawski.

May 2, 2016—(US) Notice of Allowance—U.S. Appl. No. 29/530,120, filed Jun. 12, 2015; Inv: Christopher Kujawski.

May 6, 2016—(US) Notice of Allowance—U.S. Appl. No. 29/530,285, filed Jun. 15, 2015; Inv: Christopher Kujawski.

Jun. 22, 2016—(US) Notice of Allowance—U.S. Appl. No. 29/530,243, filed Jun. 12, 2015; Inv: Christopher Kujawski.

Apr. 26, 2016—(US) Notice of Allowance—U.S. Appl. No. 29/530,237, filed Jun. 15, 2015; Inv: Christopher Kujawski.

Side-by-side: Xbox One Gamepad vs Xbox 360 gamepad (Jun. 11, 2013), <http://www.techradar.com/us/news/gaming/consoles/side-by-side-xbox-one-gamepad-vs-xbox-360-gamepad-1158091>.

* cited by examiner

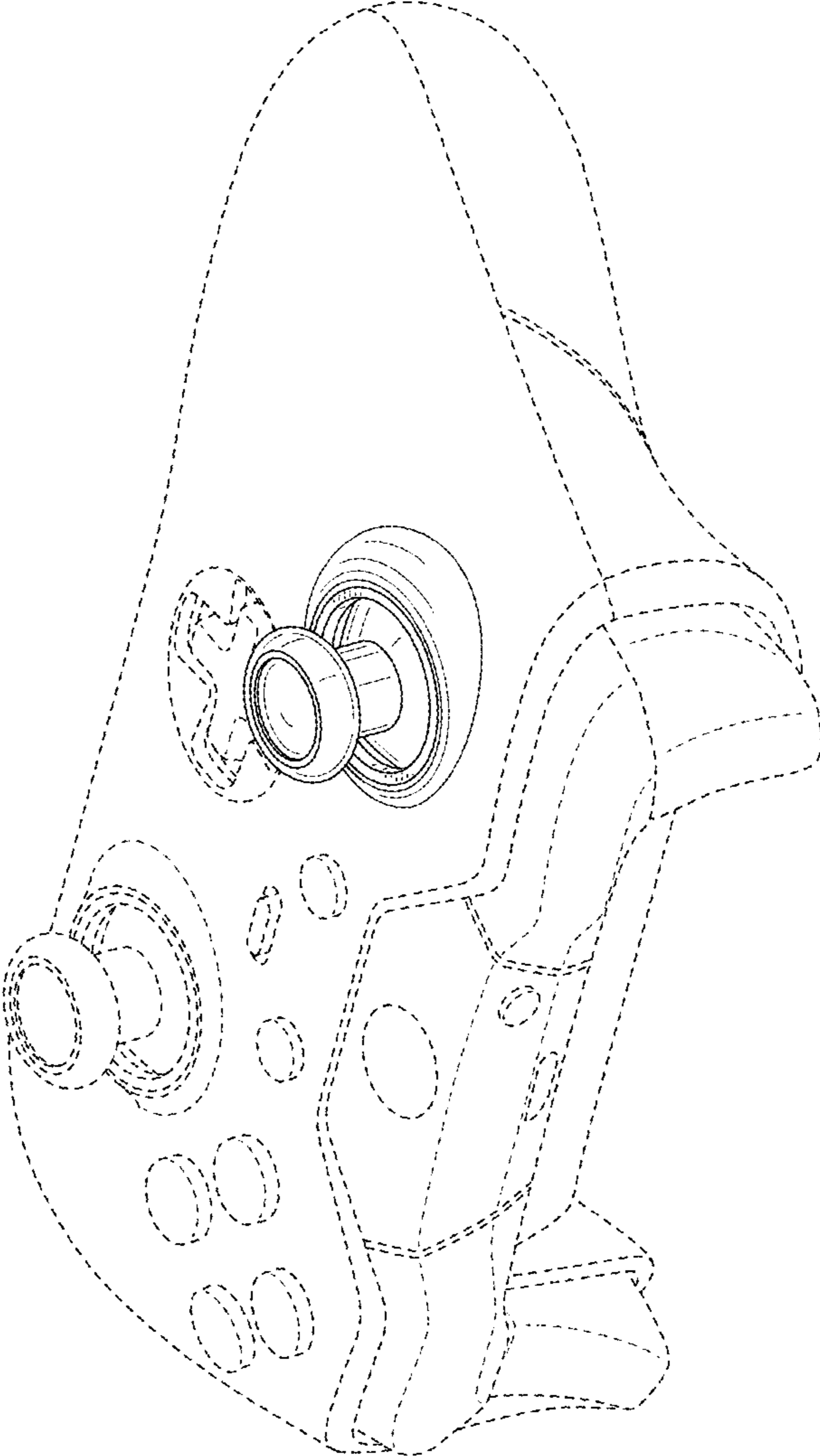


FIG. 1

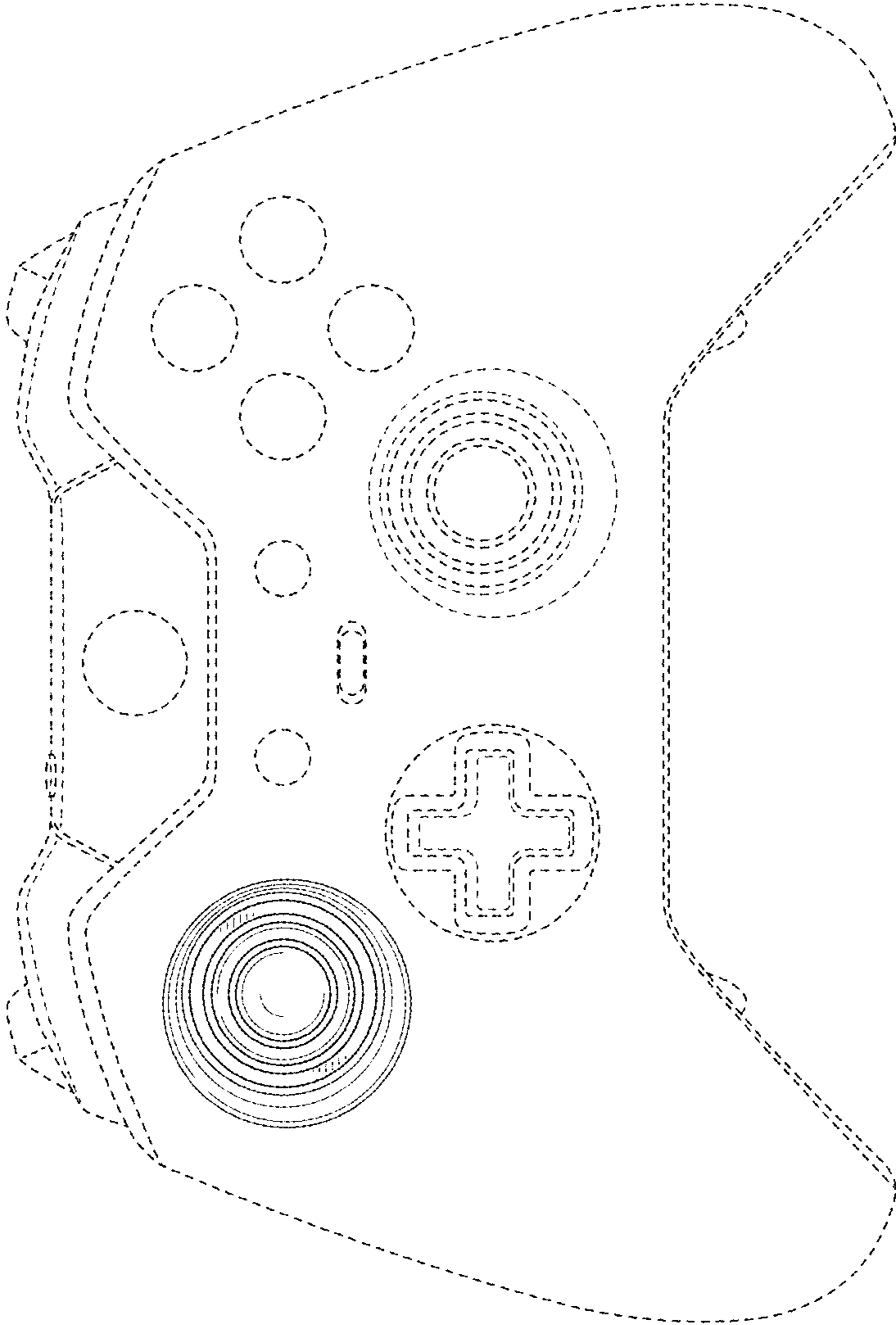


FIG. 2

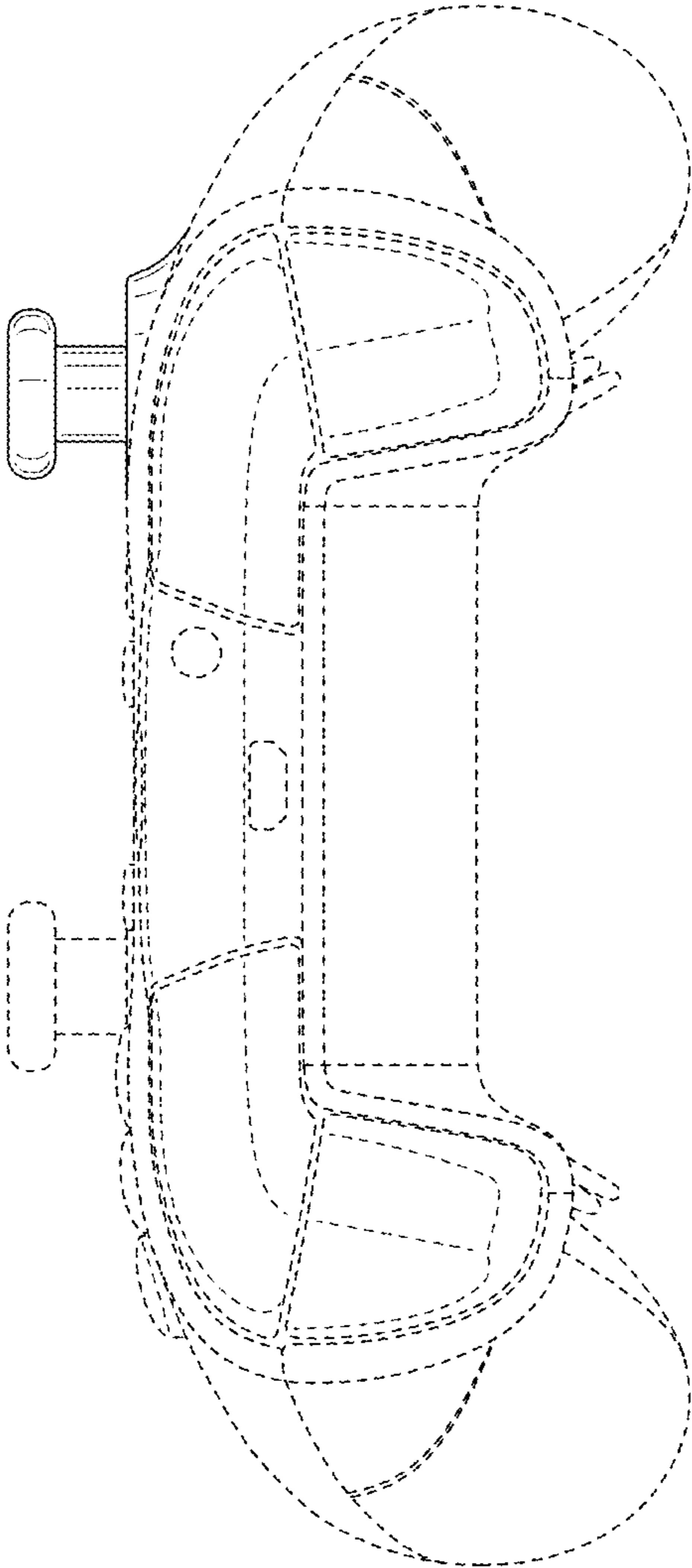


FIG. 3

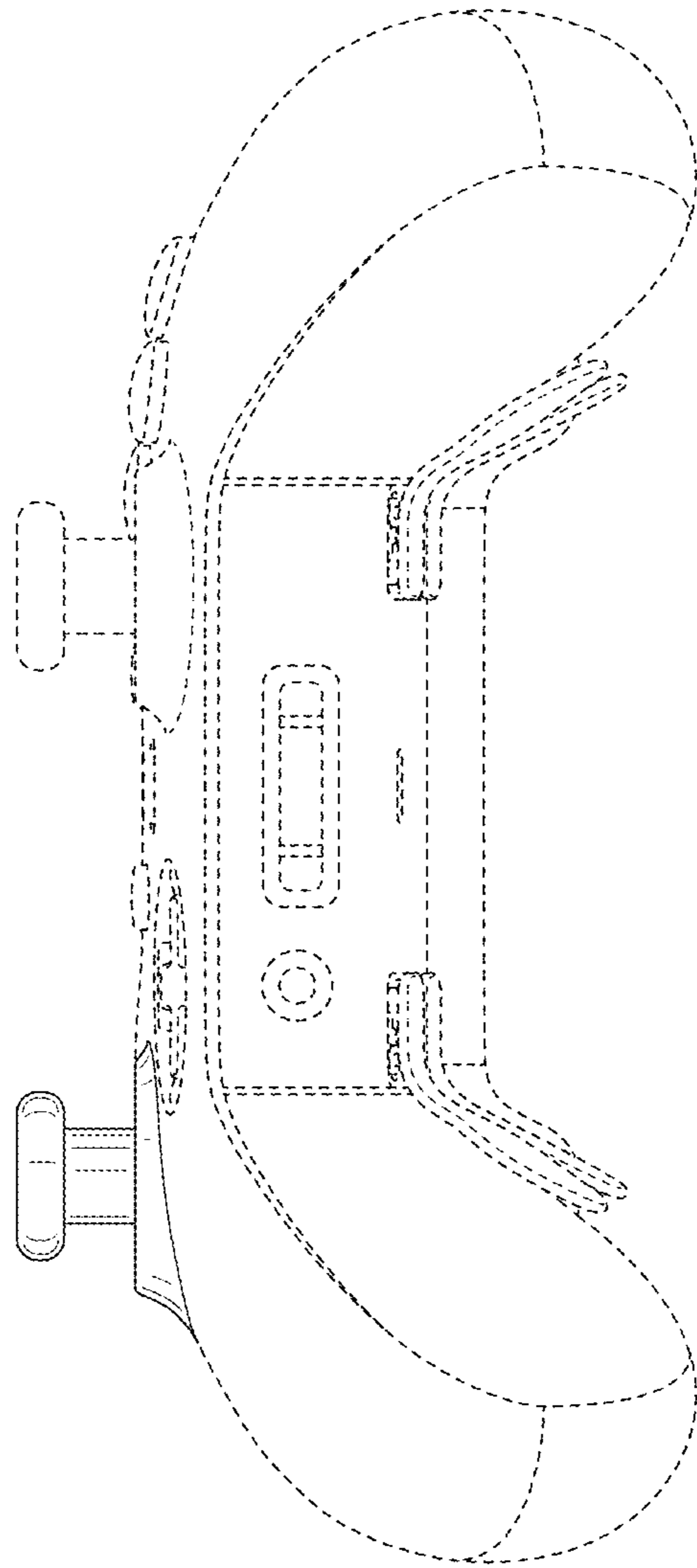


FIG. 4

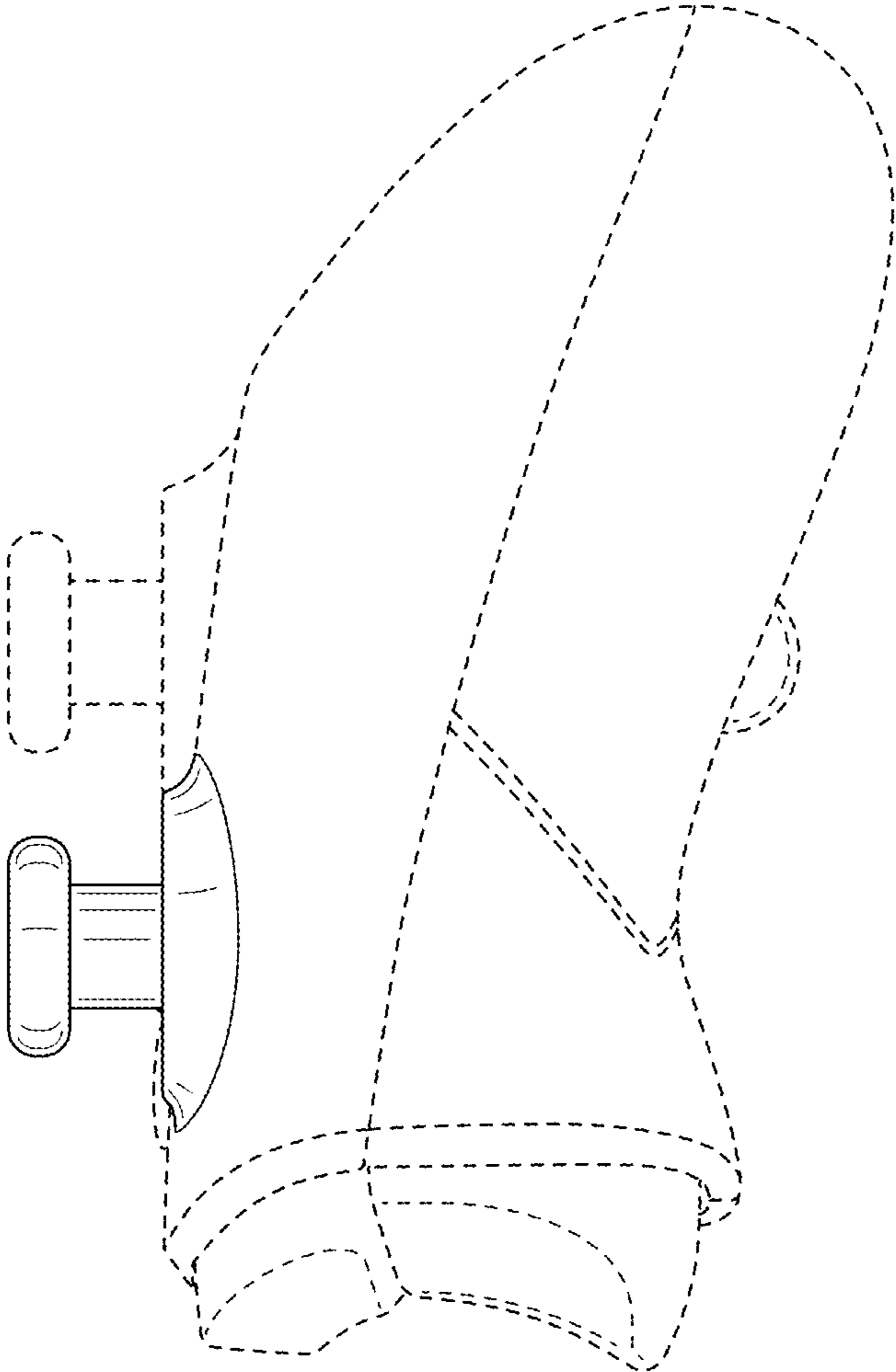


FIG. 5

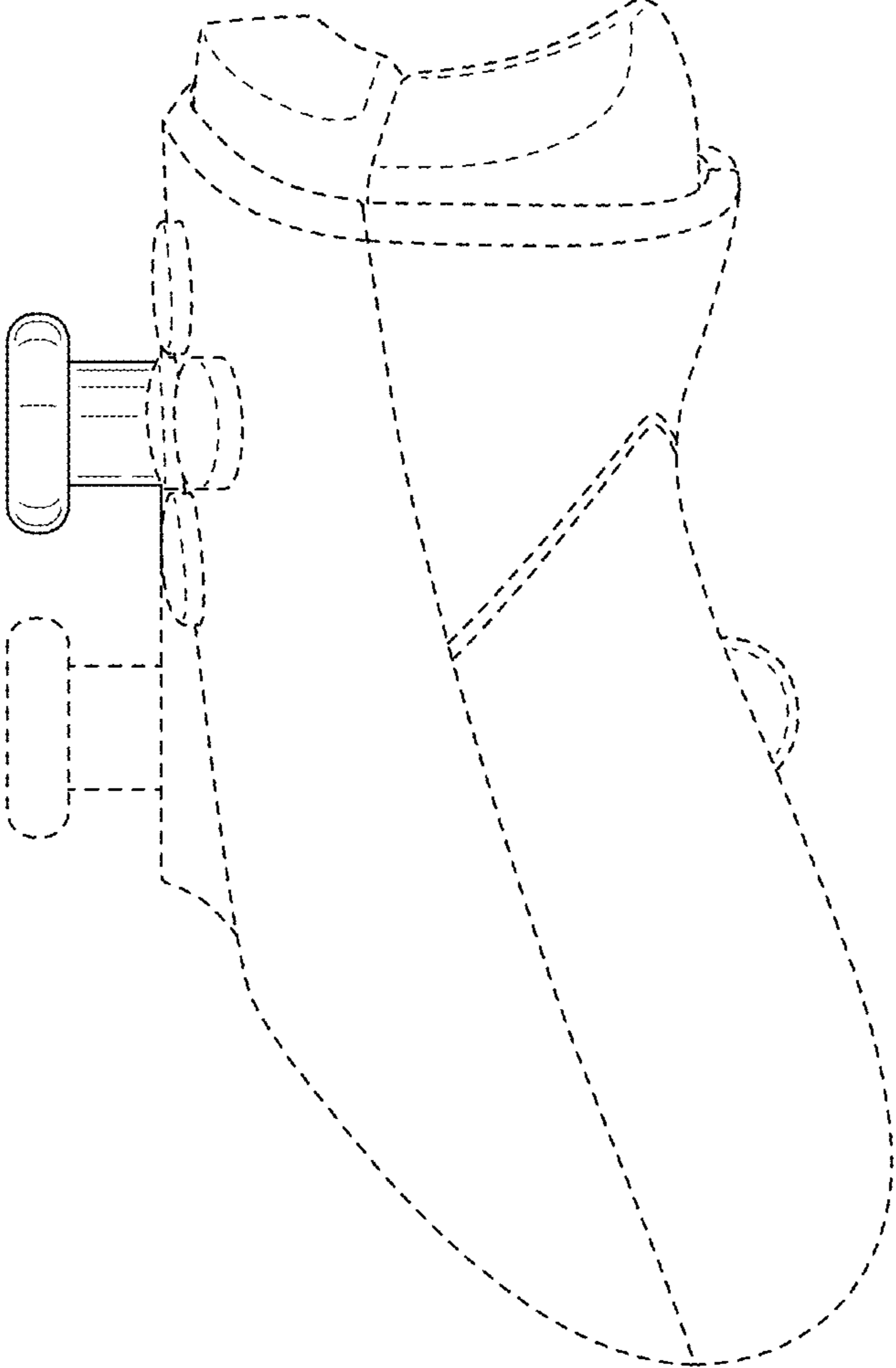


FIG. 6

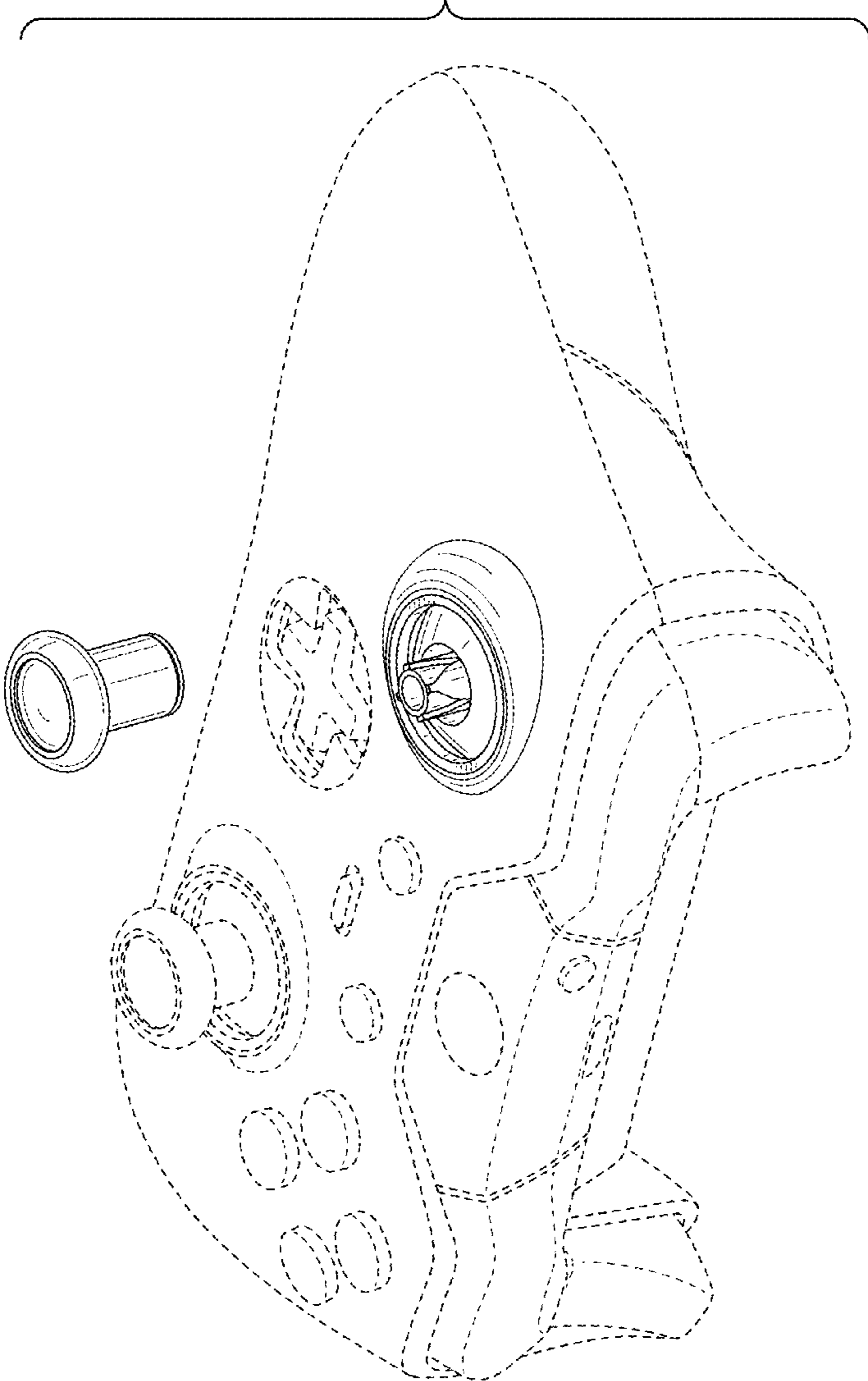


FIG. 7



FIG. 8

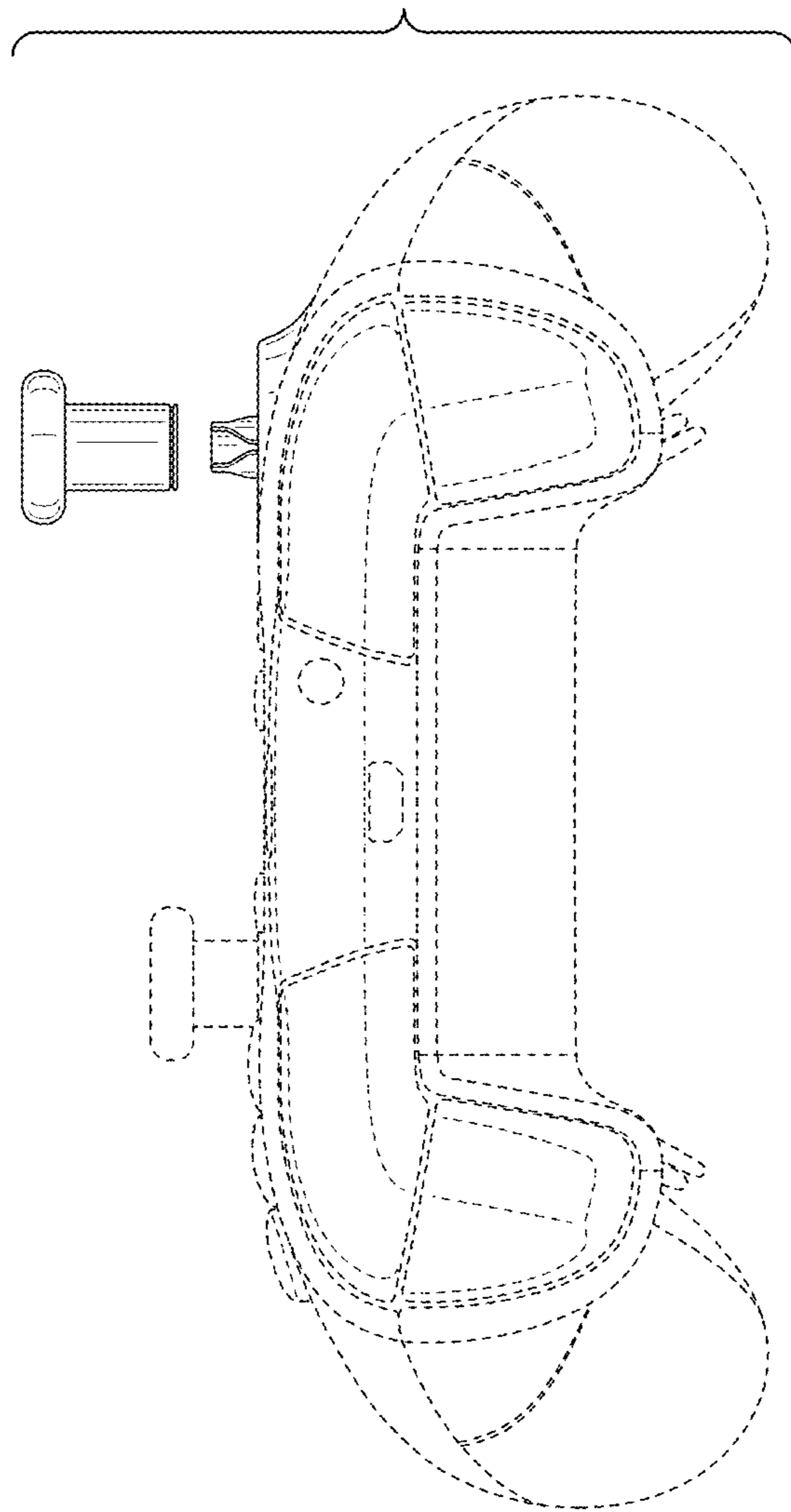


FIG. 9

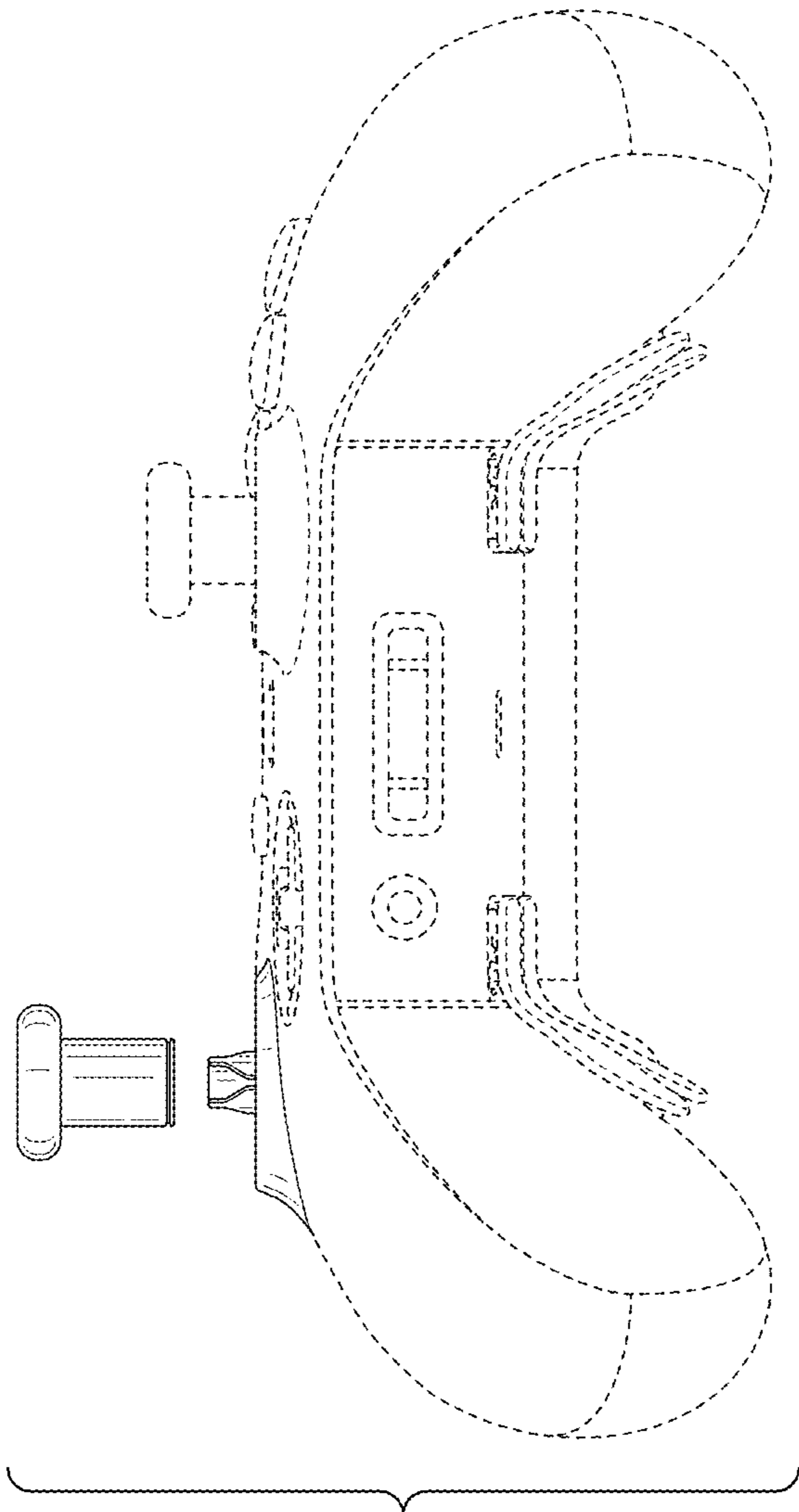


FIG. 10

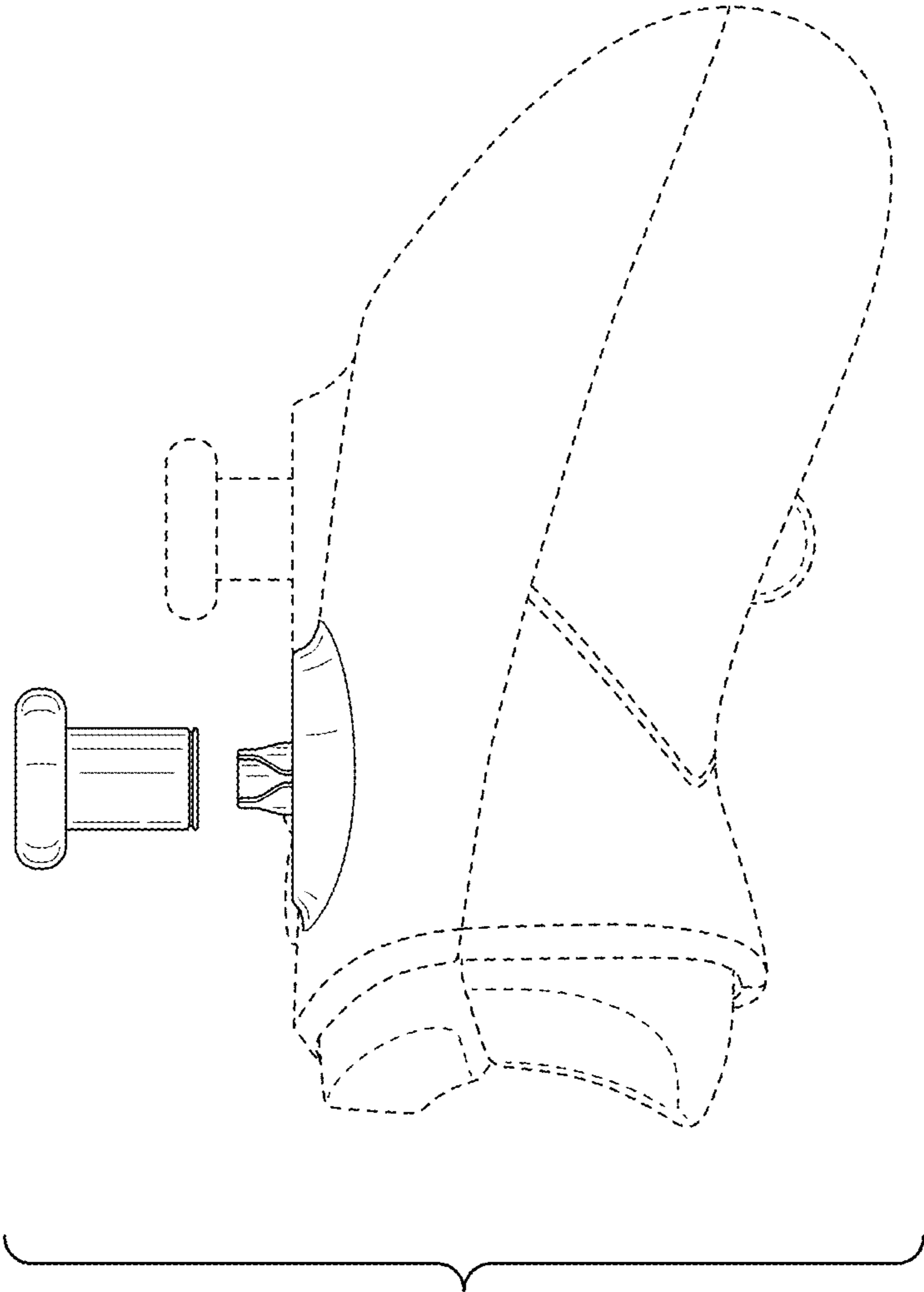


FIG. 11

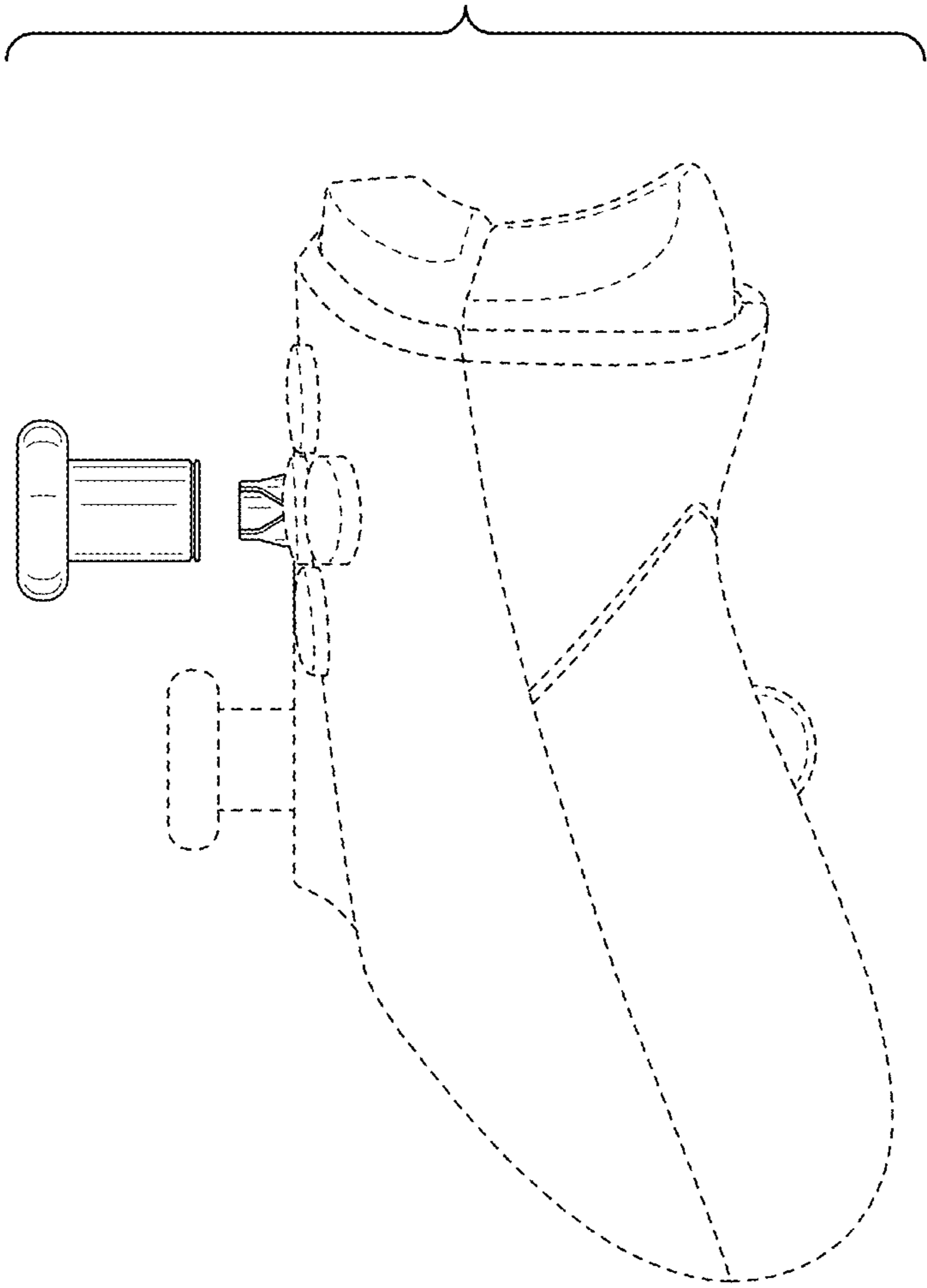


FIG. 12

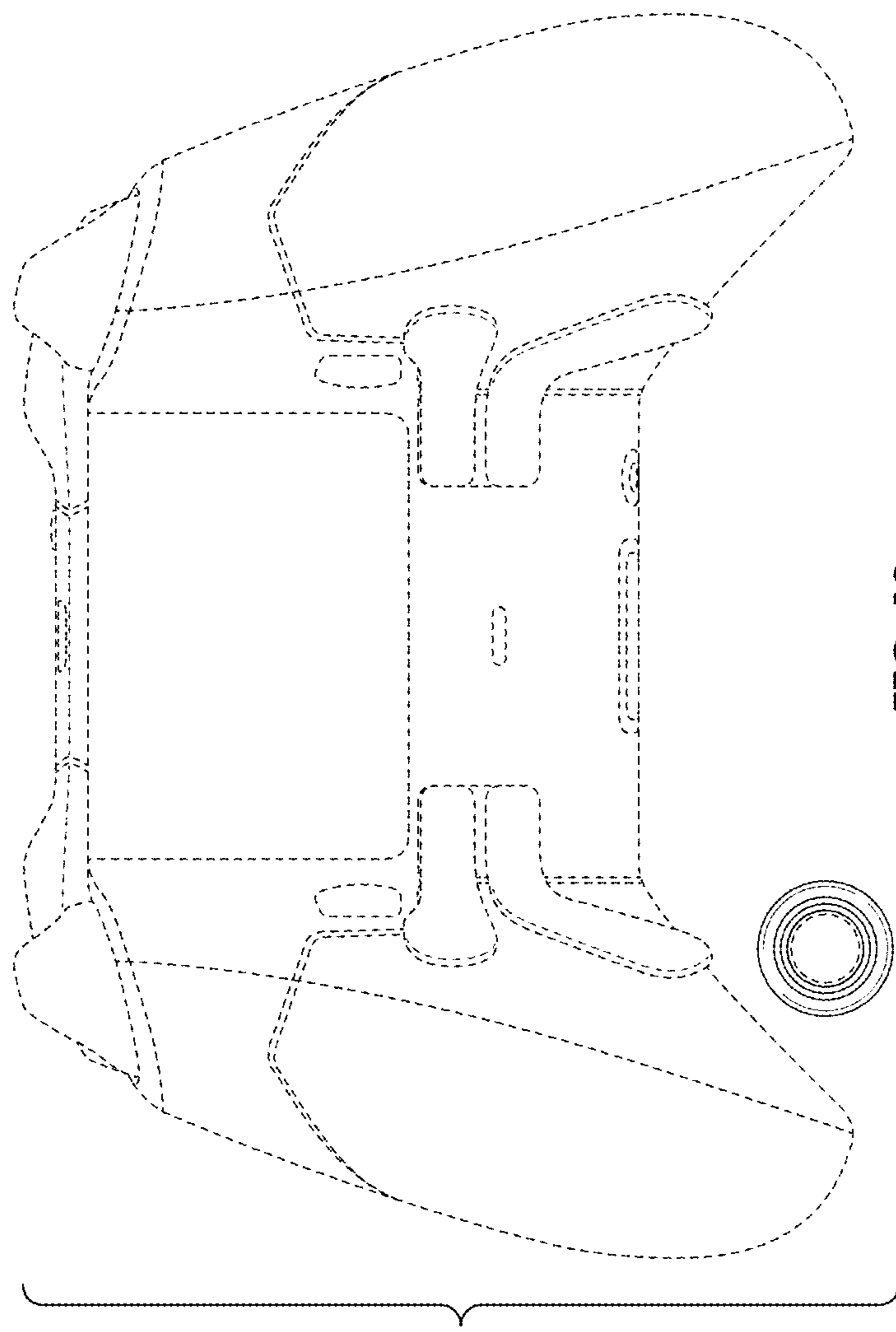


FIG. 13