



US00D773560S

(12) **United States Design Patent**
Champ

(10) **Patent No.:** **US D773,560 S**

(45) **Date of Patent:** **** Dec. 6, 2016**

- (54) **BASKETBALL GAME**
- (71) Applicant: **MerchSource, LLC**, Irvine, CA (US)
- (72) Inventor: **Jeff Champ**, Aliso Viejo, CA (US)
- (73) Assignee: **MerchSource, LLC**, Irvine, CA (US)
- (**) Term: **15 Years**
- (21) Appl. No.: **29/542,690**
- (22) Filed: **Oct. 16, 2015**
- (51) **LOC (10) Cl.** **21-01**
- (52) **U.S. Cl.**
USPC **D21/315**
- (58) **Field of Classification Search**
USPC D21/314, 315, 339, 335, 356; 273/108.3,
273/259, 108.31, 108.32, 108.33, 244.1,
244.2, 273/277, 317.6, 317.7, 236, 123 R,
126 R
CPC A63F 3/00; A63F 2003/00034; A63F
2003/00047; A63F 7/0608; A63F 63/08;
A63F 67/00
See application file for complete search history.

- D299,255 S * 1/1989 Boone D21/315
- D346,918 S * 5/1994 Faiola D20/40
- 5,407,204 A * 4/1995 Meyer, III A63F 3/00031
273/148 A
- 5,709,385 A * 1/1998 Fitzpatrick A63F 3/00028
273/108.1
- D395,924 S * 7/1998 Wilson, Sr. D21/314
- 5,955,082 A * 9/1999 Bodnaryk A01N 65/20
424/757
- D525,662 S * 7/2006 Quinn D21/315
- D694,341 S * 11/2013 Quint, Jr. D21/315

* cited by examiner

Primary Examiner — Prabhakar Deshmukh

(74) *Attorney, Agent, or Firm* — Avyno Law P.C.

(57) **CLAIM**

I claim the ornamental design for a basketball game, as shown and described.

DESCRIPTION

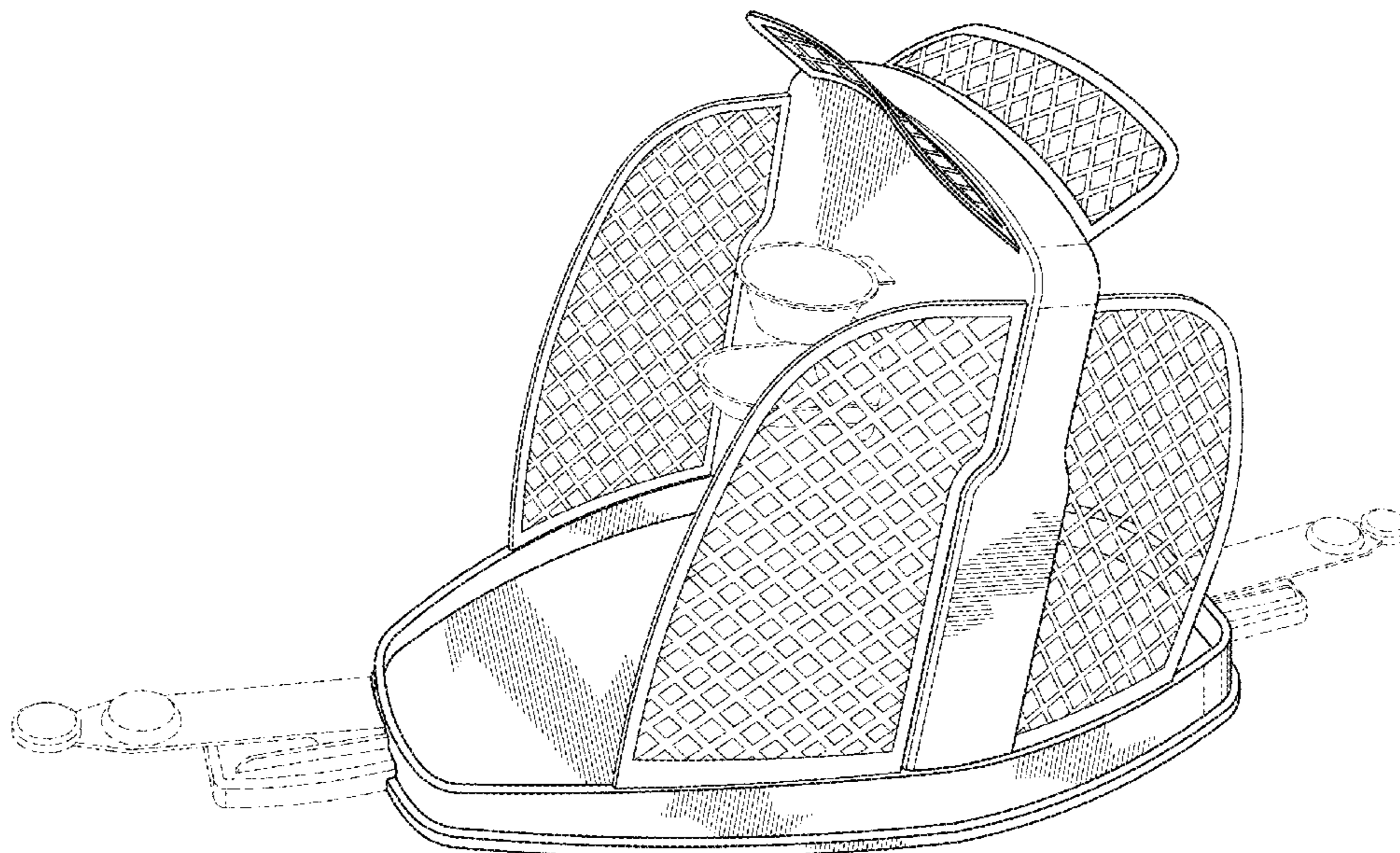
FIG. 1 is a perspective view of a basketball game;
 FIG. 2 is a side view of the left side of the basketball game of FIG. 1;
 FIG. 3 is a side view of the right side of the basketball game of FIG. 1;
 FIG. 4 is a top view of the basketball game of FIG. 1;
 FIG. 5 is a bottom view of the basketball game of FIG. 1;
 FIG. 6 is a front view of the basketball game of FIG. 1; and,
 FIG. 7 is a rear view of the basketball game of FIG. 1.
 The dashed lines illustrate unclaimed portions and environment and form no the claimed design.

1 Claim, 6 Drawing Sheets

(56) **References Cited**

U.S. PATENT DOCUMENTS

- D161,562 S * 1/1951 Williams 273/126 R
- 2,859,969 A * 11/1958 Modica, Jr. A63F 7/0608
124/7
- 4,480,834 A * 11/1984 Minami A63F 7/0612
273/317.3
- 4,504,056 A * 3/1985 Kanno A63F 7/0608
273/108.3
- D287,375 S * 12/1986 Suarez D21/301



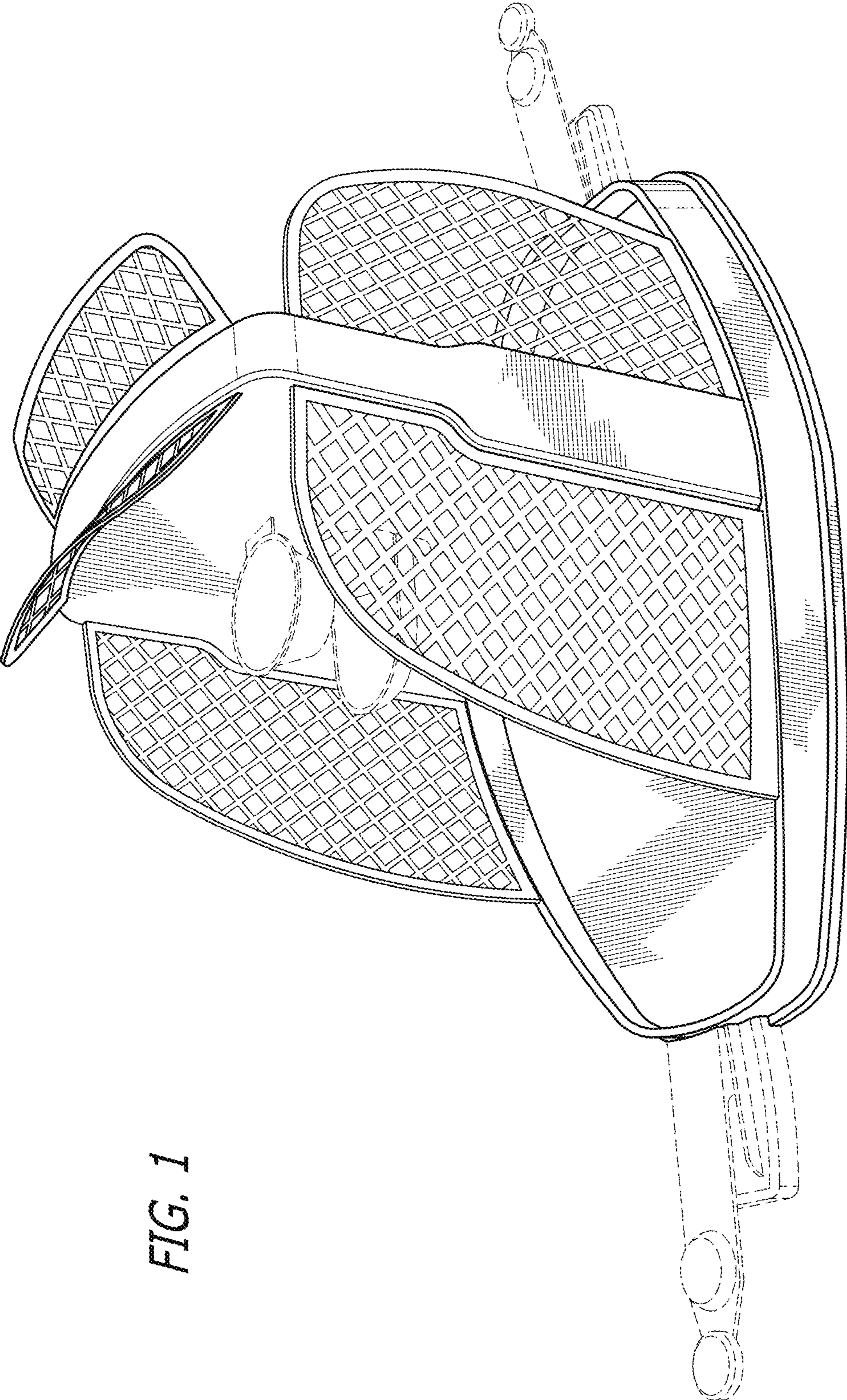


FIG. 1

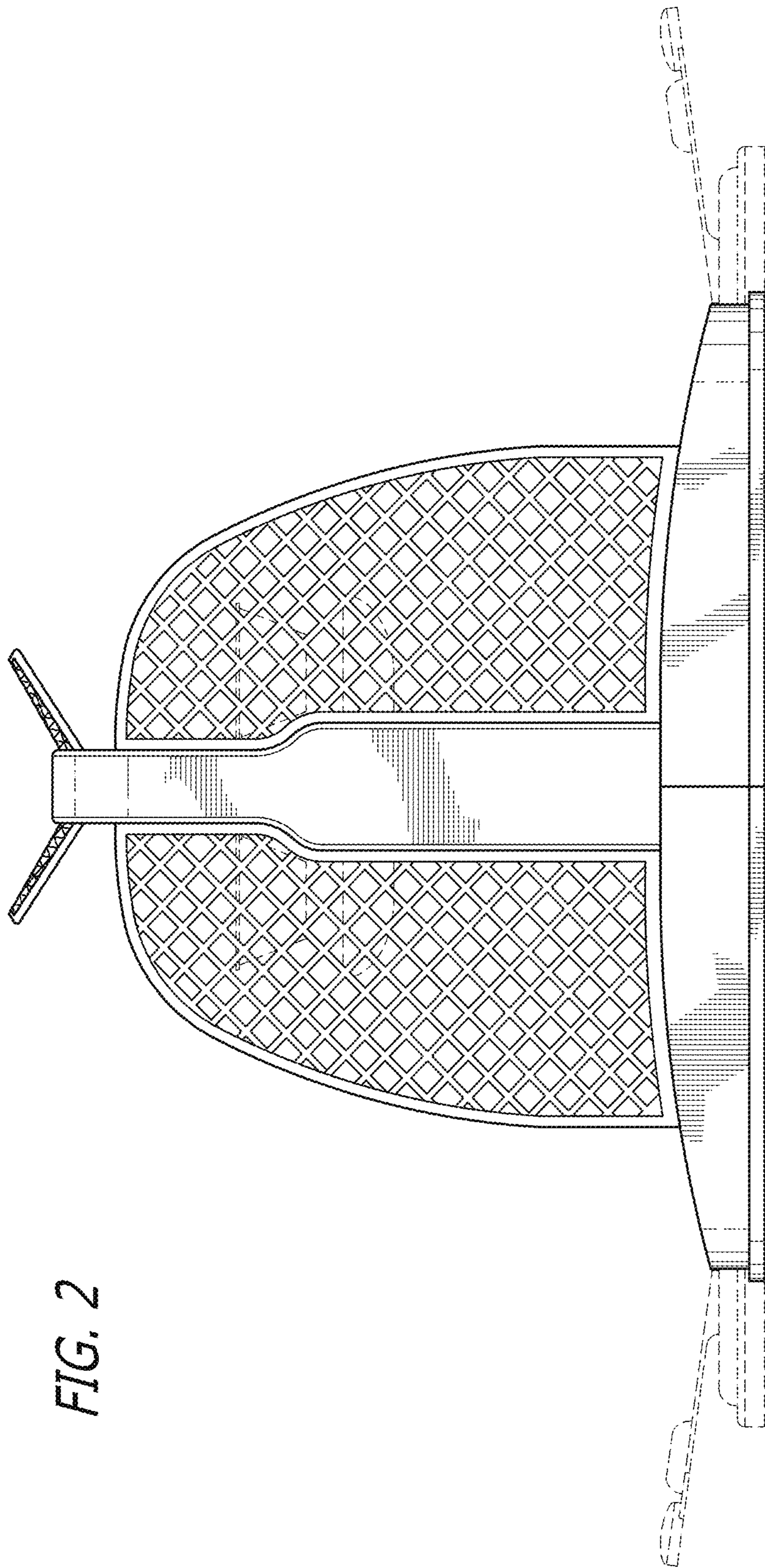


FIG. 2

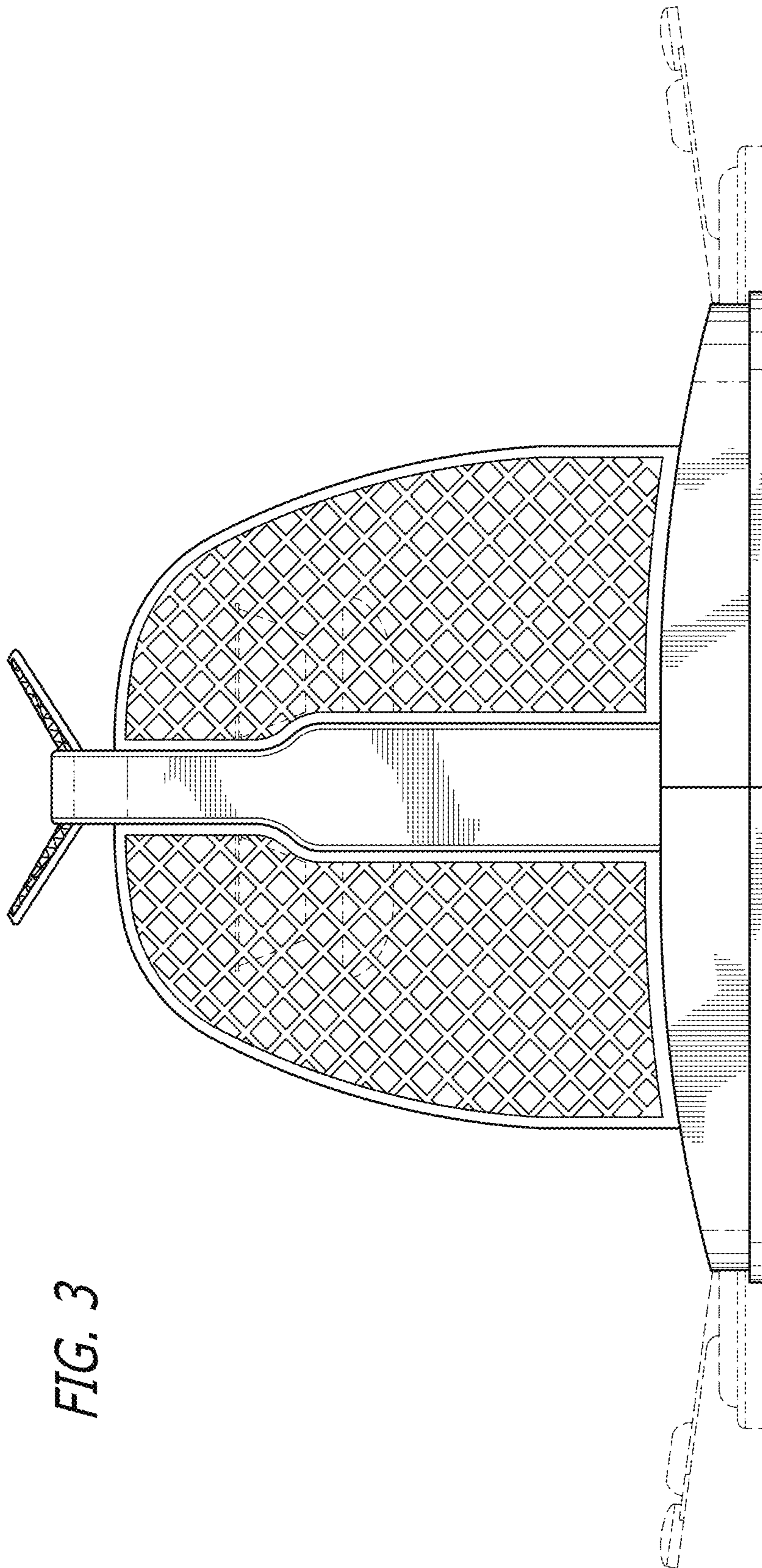


FIG. 3

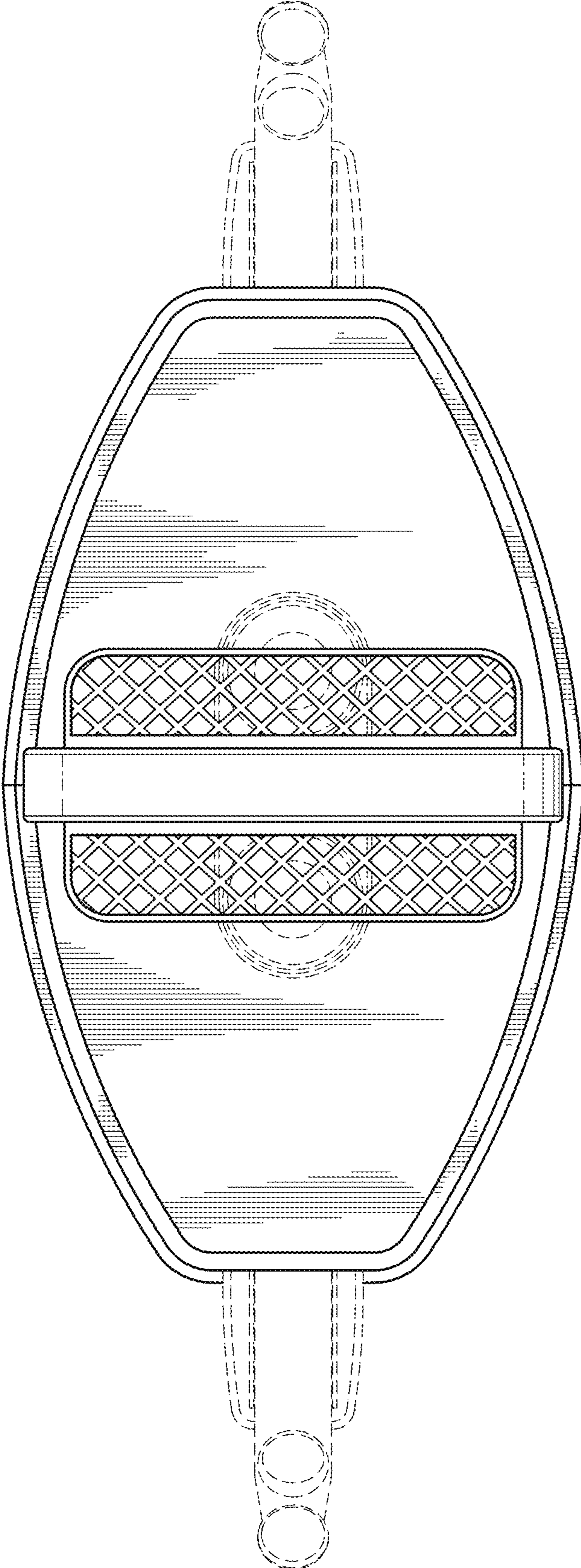


FIG. 4

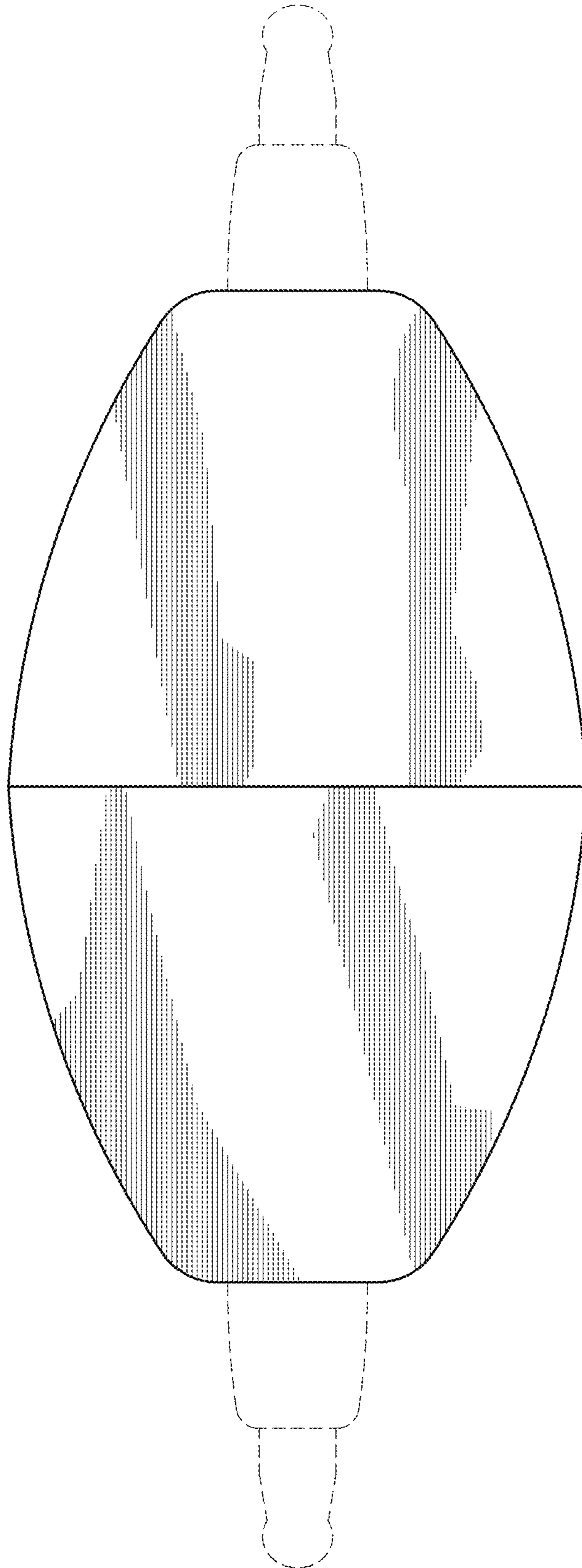


FIG. 5

FIG. 7

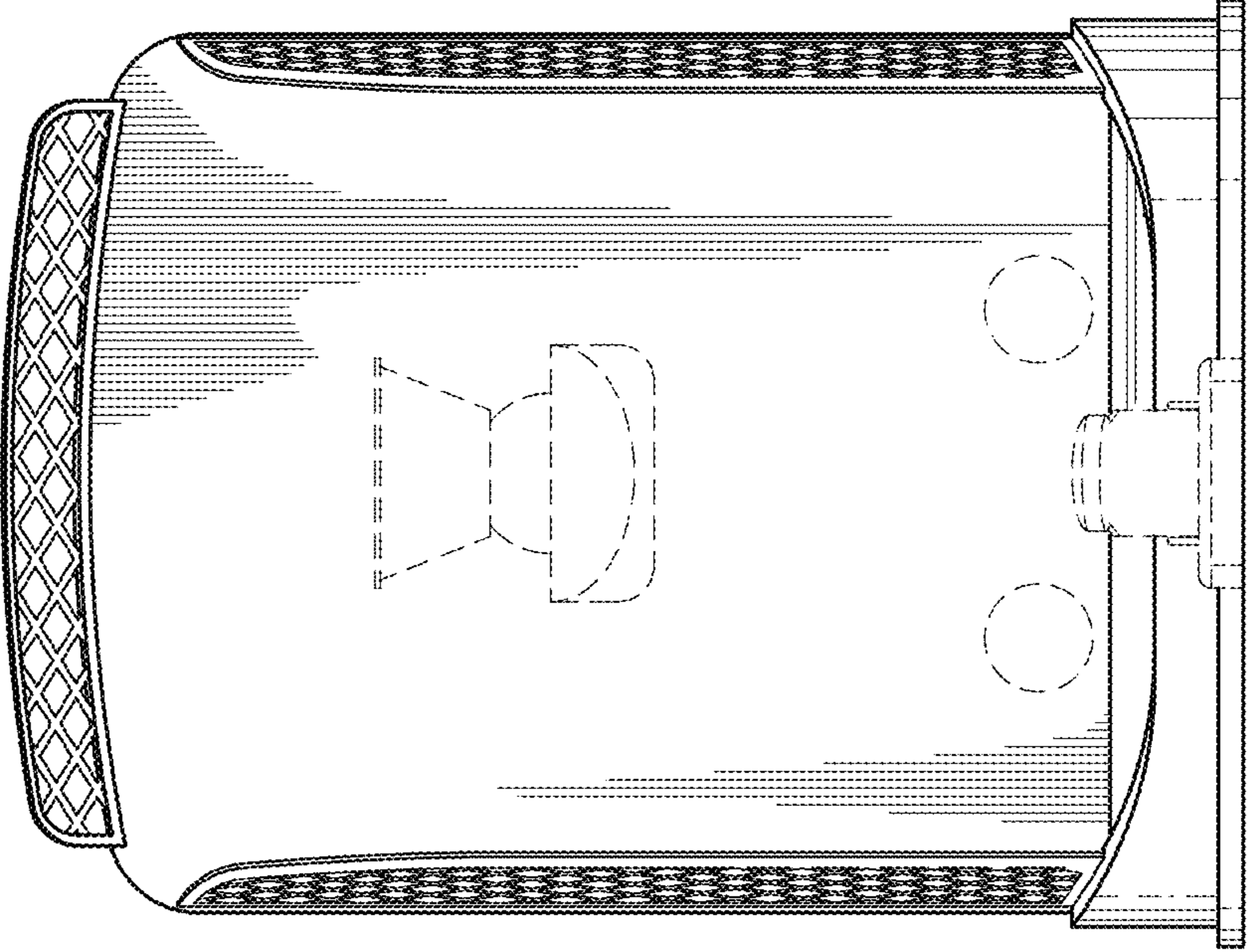


FIG. 6

