



US00D773553S

(12) **United States Design Patent**
Hostetler

(10) **Patent No.:** **US D773,553 S**
(45) **Date of Patent:** **** Dec. 6, 2016**

(54) **STRINGED INSTRUMENT WORK STATION**

(71) Applicant: **Stewart-Macdonald Manufacturing Company, Athens, OH (US)**

(72) Inventor: **Jay Hostetler, Athens, OH (US)**

(73) Assignee: **Stewart-MacDonald Manufacturing Company, Athens, OH (US)**

(**) Term: **14 Years**

(21) Appl. No.: **29/517,881**

(22) Filed: **Feb. 18, 2015**

(51) **LOC (10) Cl.** **17-03**

(52) **U.S. Cl.**
USPC **D17/20**

(58) **Field of Classification Search**
USPC D28/7; D6/582, 583, 585, 592, 595, 596,
D6/597, 601, 602, 603, 606, 608, 610,
617; D17/4, 9, 12, 13, 14, 15, 16, 17, 18,
19, 20, D17/21, 22, 23, 24, 99; D21/586;
D14/356; D10/93, 104.1, 108, 114; D8/4,
25, 52

CPC A47G 9/00; B60N 2/00; G10D 3/18;
G10D 3/043; G10D 1/08; G10D 3/006;
G10D 13/023; G10D 13/027; G10H 1/02;
G10H 1/0091; G10H 1/32; G10H 3/143;
G10H 3/181; H01R 13/5213; B60Q 1/04;
B60Q 1/26; B25B 15/001

See application file for complete search history.

(56) **References Cited**

U.S. PATENT DOCUMENTS

2,285,897 A * 6/1942 Campbell B27G 5/023
269/303
2,509,956 A * 5/1950 Benoit B21D 28/002
192/131 R
3,709,083 A * 1/1973 Doherty B21D 24/00
72/430
3,901,612 A * 8/1975 Canin F16B 7/187
403/189

3,994,484 A * 11/1976 Schorr B27B 27/10
269/315
4,022,090 A * 5/1977 Doherty B21D 28/002
72/430
4,108,422 A * 8/1978 Fleischmann E04F 11/1836
256/67
4,195,565 A * 4/1980 Cordeiro B30B 1/32
100/266
4,604,930 A * 8/1986 Avila B21D 37/12
100/257

(Continued)

OTHER PUBLICATIONS

Tech Deck, image post date 1997, site visited Apr. 3, 2016, (online), <<http://mcconvilleguitars.blogspot.com/2015/08/danish-neck-surgery-let-dust-fly.html>>.*

Customizable Aluminum Guarding, image post date 2016, site visited Apr. 3, 2016, (online), <<http://www.faztek.net/t-slot-tedaluminum.html?topmenu=Quick+Jump>>.*

(Continued)

Primary Examiner — Kevin Rudzinski

Assistant Examiner — Sean D Lough

(74) *Attorney, Agent, or Firm* — Dinsmore & Shohl LLP

(57) **CLAIM**

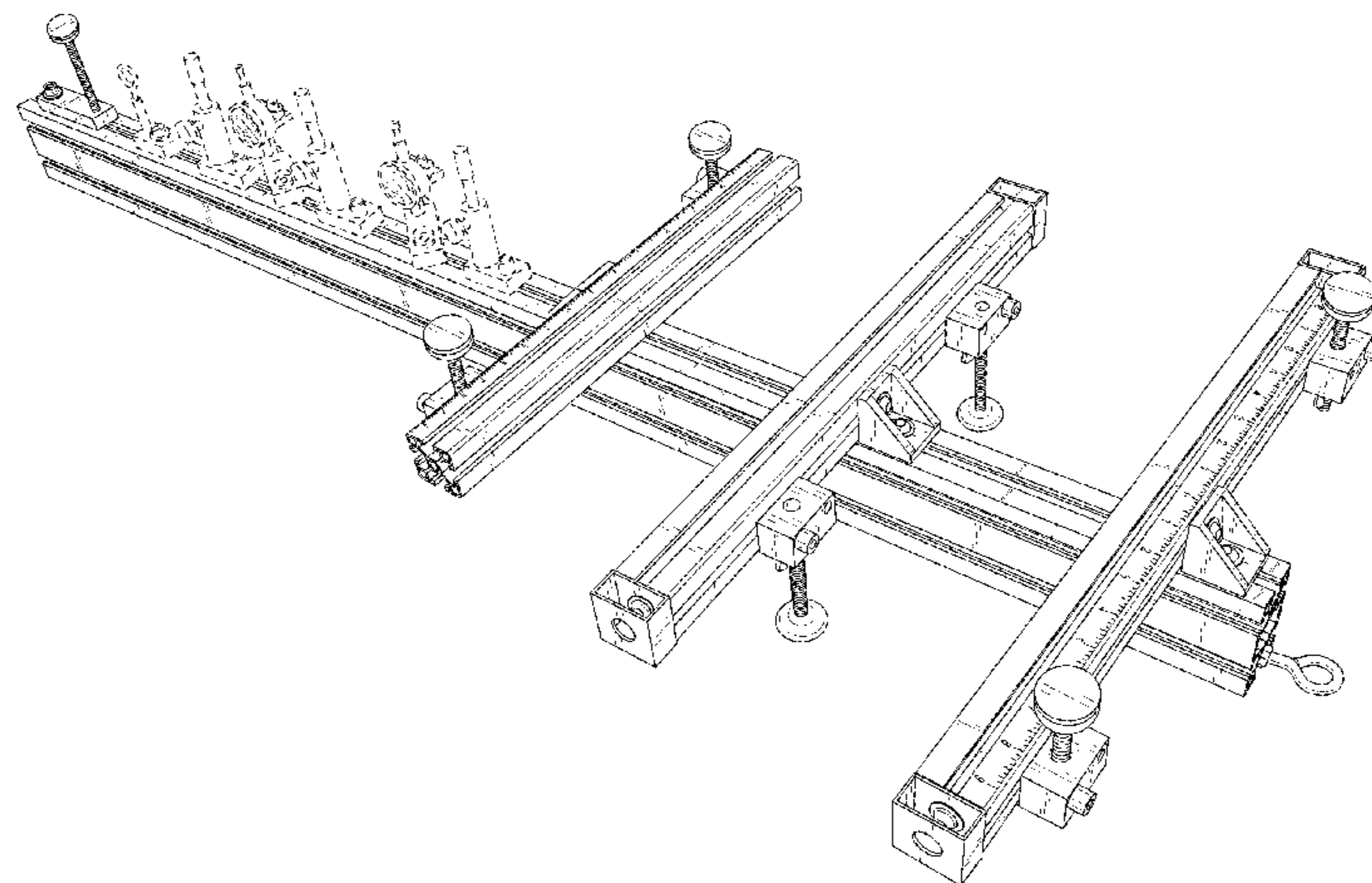
The ornamental design for a stringed instrument work station, as shown and described.

DESCRIPTION

FIG. 1 is a perspective view of a stringed instrument work station illustrating my new design; FIG. 2 is a front elevation view thereof; FIG. 3 is a back elevation view thereof; FIG. 4 is a left elevation view thereof; FIG. 5 is a right elevation view thereof; FIG. 6 is a top plan view thereof; and, FIG. 7 is a bottom plan view thereof.

The broken lines, where present, in all of the figures illustrate portions of the a stringed instrument work station that represent the environment of the claimed design and form no part of the claimed design.

1 Claim, 6 Drawing Sheets



(56)

References Cited

U.S. PATENT DOCUMENTS

4,607,516 A * 8/1986 Schafer B21D 43/055
72/405.12
4,817,693 A * 4/1989 Schuler B23D 47/025
144/117.1
4,926,677 A * 5/1990 Waldner H01L 21/67144
100/917
5,018,562 A * 5/1991 Adams B27B 27/10
144/253.1
5,038,486 A * 8/1991 Ducate, Sr. B27B 25/10
33/430
5,063,983 A * 11/1991 Barry B23Q 3/007
144/135.2
5,086,633 A * 2/1992 Meyerle B21D 28/002
100/264
5,113,736 A * 5/1992 Meyerle B21D 28/002
100/917
5,192,145 A * 3/1993 Rixen F16B 7/187
403/187
5,245,904 A * 9/1993 Meyerle B21D 28/002
100/257
5,265,972 A * 11/1993 Bahr F16B 7/187
403/230
5,386,205 A * 1/1995 Burt H01F 7/081
100/917
5,490,665 A * 2/1996 Thiele B23D 59/001
269/303
5,553,644 A * 9/1996 Adams B23Q 16/006
144/135.2
5,746,535 A * 5/1998 Kohler A47B 47/0041
403/230
5,768,966 A * 6/1998 Duginske B27B 25/10
144/253.1
5,779,407 A * 7/1998 Tucker B23Q 3/002
144/252.1
5,785,359 A * 7/1998 Nagai B23Q 3/102
285/191
5,813,274 A * 9/1998 Strong B30B 1/42
100/256
5,845,555 A * 12/1998 Dawley B23Q 16/006
83/467.1
5,890,524 A * 4/1999 Tucker B23Q 1/28
144/135.2
6,189,429 B1 * 2/2001 Liu B23D 47/025
108/143
6,331,092 B1 * 12/2001 Linger E04B 2/761
403/367
6,433,265 B1 8/2002 McConville
6,478,501 B1 * 11/2002 Kahl F16B 7/0453
403/188
6,481,177 B1 * 11/2002 Wood F16B 7/187
403/189
6,481,477 B1 * 11/2002 Szymanski B23Q 3/007
144/135.2
6,491,073 B1 * 12/2002 Essick B23Q 9/0014
144/144.51
6,499,224 B1 * 12/2002 Asick B23B 47/287
144/253.1
6,557,601 B1 * 5/2003 Taylor B27B 27/02
144/253.1
6,712,540 B2 * 3/2004 Schmalzhofer F16B 7/187
403/248
6,712,543 B1 * 3/2004 Schmalzhofer F16B 7/187
403/187
6,880,442 B2 * 4/2005 Duginske B27B 27/08
144/253.1
6,926,479 B1 * 8/2005 Taylor B27C 5/02
144/136.95
7,007,731 B2 * 3/2006 Chiu B25B 1/08
144/144.1
7,124,491 B2 * 10/2006 Toeniskoetter B21D 39/021
100/141

7,293,935 B2 * 11/2007 Band F16B 7/187
403/254
7,343,770 B2 * 3/2008 Barnoski B21D 28/02
100/214
7,444,922 B2 * 11/2008 Harashima B23Q 1/58
91/508
7,464,737 B2 * 12/2008 Duginske B27B 27/02
144/253.1
7,605,318 B2 10/2009 Dover
8,100,600 B2 * 1/2012 Blum F16B 37/045
403/256
8,104,388 B2 * 1/2012 Liu B23D 45/14
83/435.11
8,141,828 B2 * 3/2012 Clark B23Q 1/25
108/157.1
8,366,091 B2 * 2/2013 Harder B23Q 16/001
269/315
8,474,213 B2 * 7/2013 Oetlinger E05D 5/0238
403/231
8,495,937 B2 * 7/2013 Koegel B27B 25/10
83/418
8,608,148 B2 * 12/2013 Ruf B29C 33/305
269/10
8,794,861 B2 * 8/2014 Holscher F16B 7/187
403/253
8,840,098 B2 * 9/2014 Douglas B25H 1/10
269/310
D715,339 S * 10/2014 Oetlinger D15/138
8,904,728 B2 * 12/2014 DeZaio 52/239
9,099,063 B2 * 8/2015 Blanco G10D 3/00
9,175,724 B2 * 11/2015 Johnson F16C 29/005
9,212,675 B2 * 12/2015 Oetlinger F16B 7/187
9,221,188 B1 * 12/2015 Wisen B27B 27/10
D750,143 S * 2/2016 Oetlinger D15/138
2002/0122691 A1 * 9/2002 Wood F16B 5/0685
403/381
2002/0194971 A1 * 12/2002 Park B23D 47/025
83/477.2
2003/0152422 A1 * 8/2003 Popovski F16B 7/0466
403/255
2004/0099115 A1 * 5/2004 Salazar B23D 59/001
83/435.14
2004/0139619 A1 * 7/2004 Tateishi G01D 11/245
33/1 PT
2005/0056345 A1 * 3/2005 Duginske B27B 27/02
144/144.1
2005/0139056 A1 * 6/2005 Gass B27B 27/02
83/438
2005/0230334 A1 * 10/2005 MacDonald A47B 43/00
211/64
2006/0131251 A1 * 6/2006 Stadler E04B 1/8236
211/85.6
2006/0248998 A1 * 11/2006 Duginske B23Q 3/007
83/468
2006/0266182 A1 * 11/2006 Balolia B27B 27/02
83/471.3
2009/0025530 A1 * 1/2009 Dover G10D 1/005
84/327
2011/0037286 A1 * 2/2011 Nebel B60R 9/00
296/37.6
2013/0145919 A1 * 6/2013 De Jule G10D 1/005
84/294
2013/0277250 A1 * 10/2013 Allen A45C 5/14
206/314
2014/0373977 A1 * 12/2014 Hoffman G10D 1/005
144/416
2015/0221292 A1 * 8/2015 Piper G10G 5/00
29/559

OTHER PUBLICATIONS

Stringed Instrument Workstation, image post date 2014, site visited
Apr. 3, 2016, (online), <<http://www.ebay.com/itm/-/301158297613?roken=cUgayN>>.*

* cited by examiner

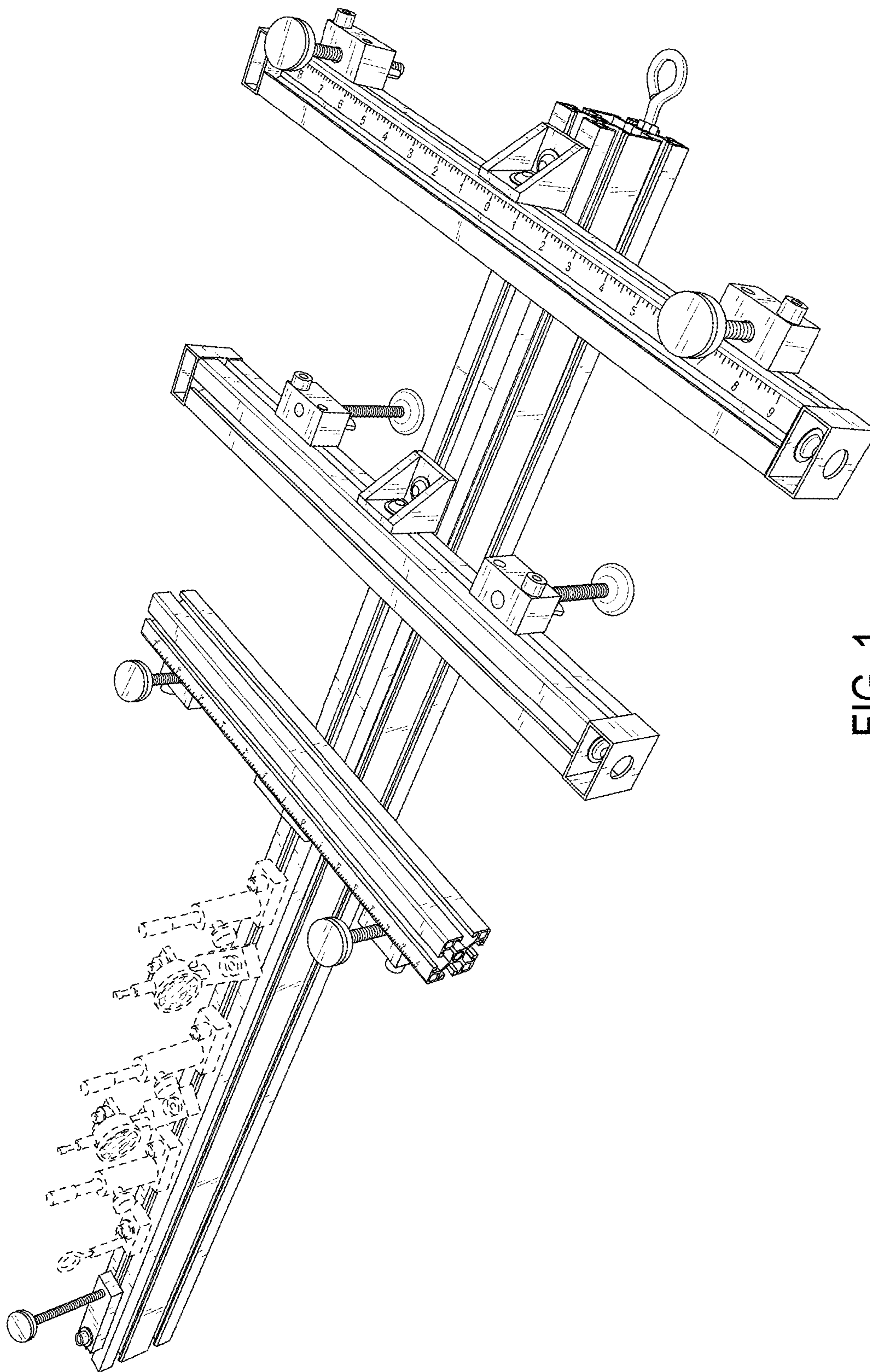


FIG. 1

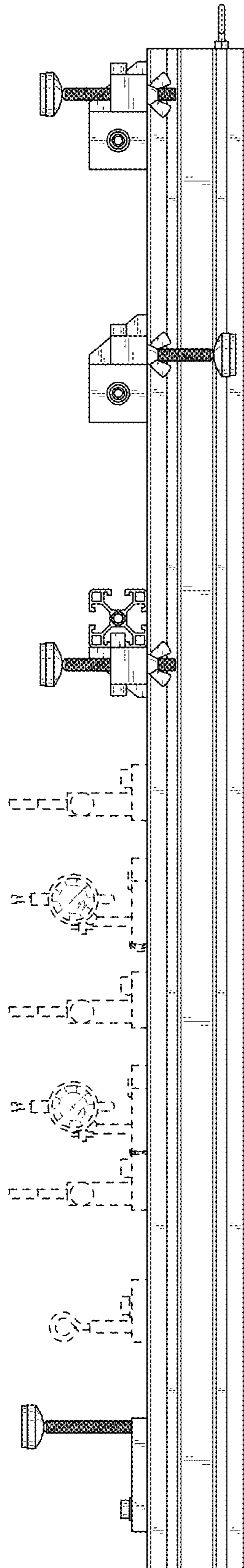


FIG. 2

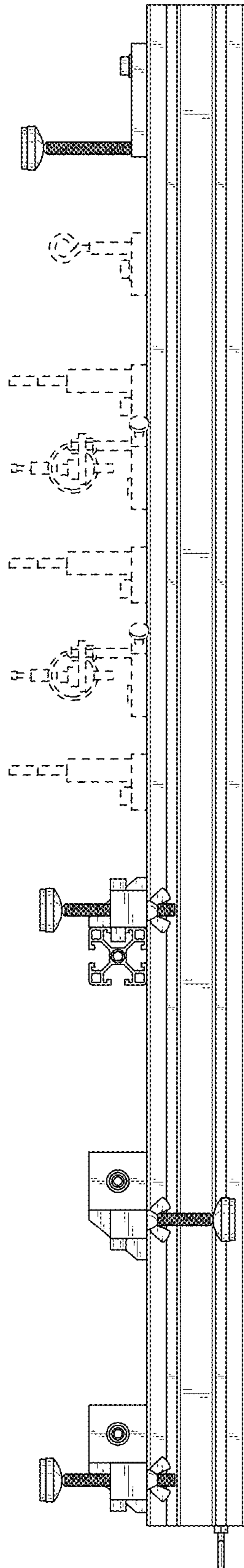


FIG. 3

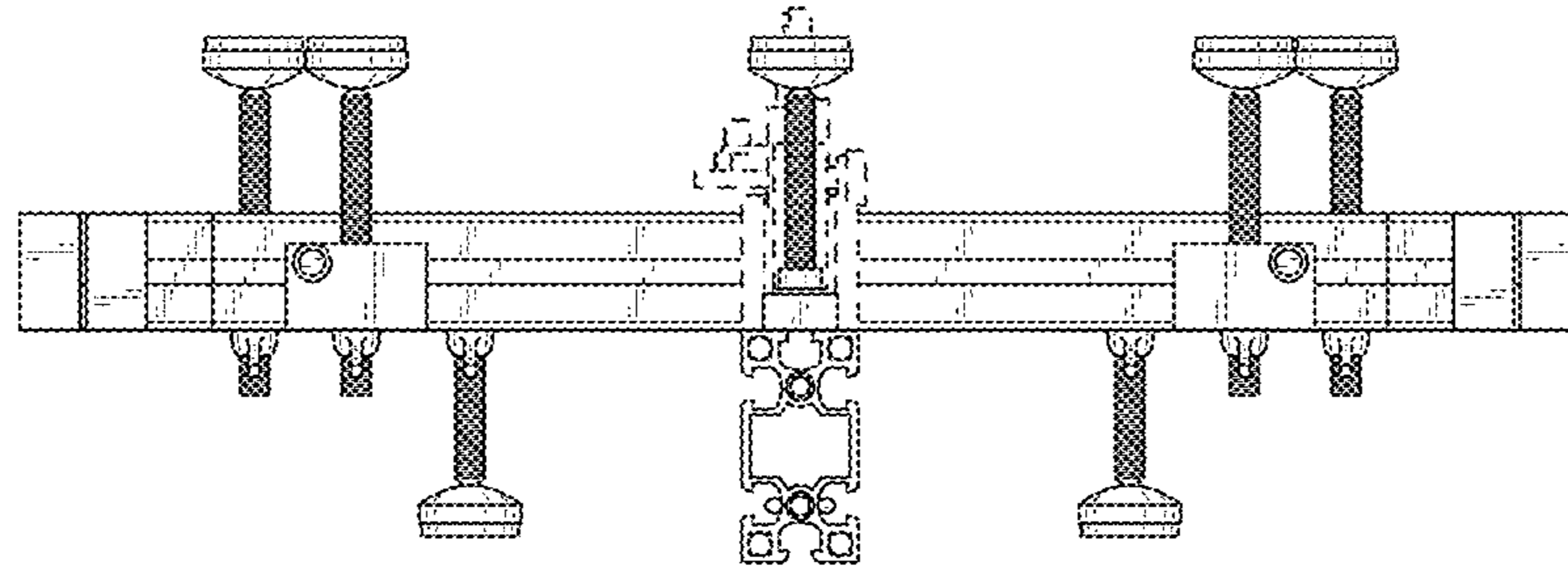


FIG. 4

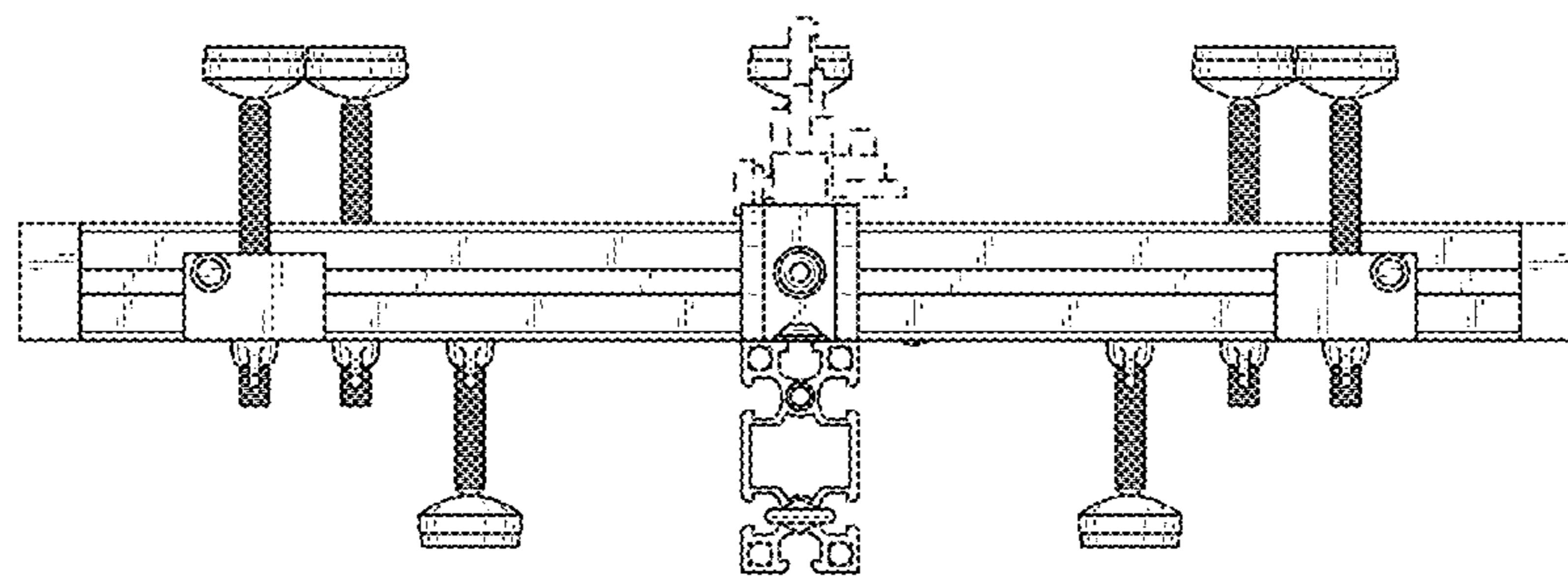


FIG. 5

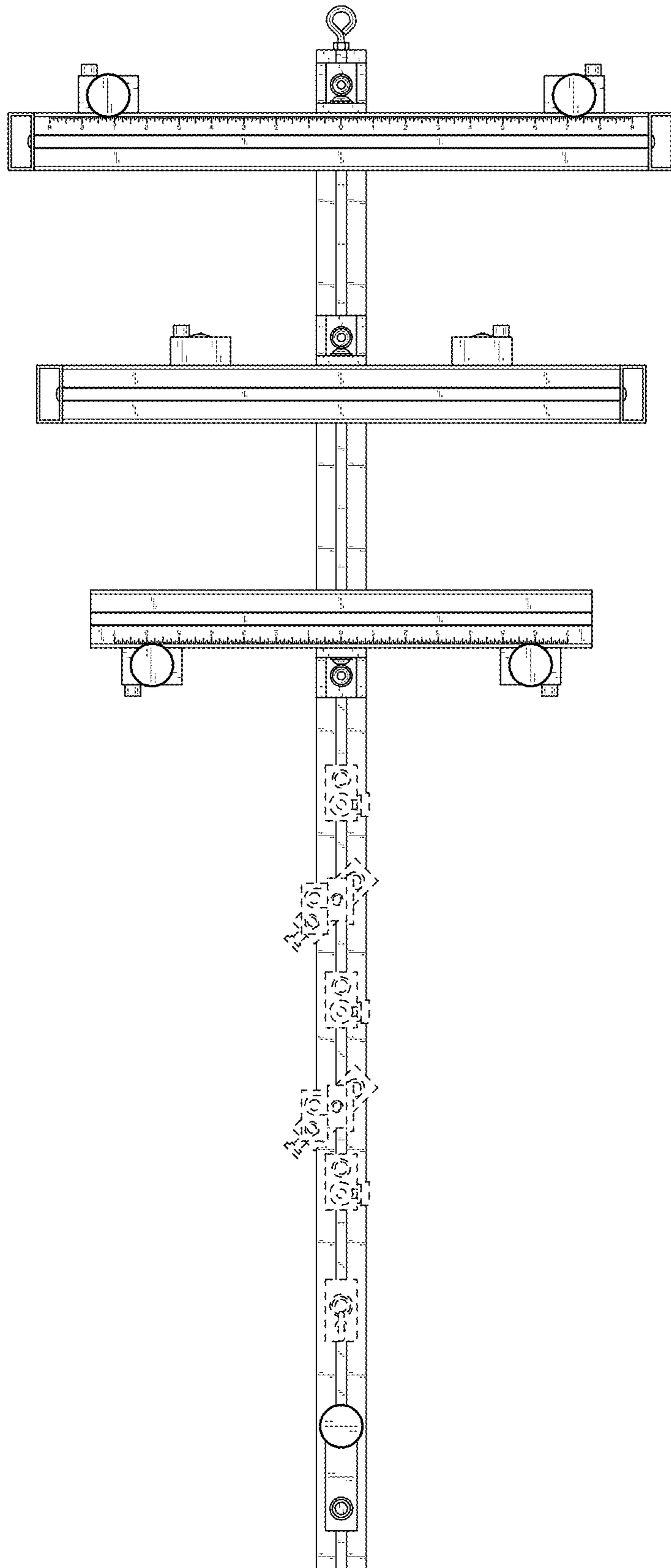


FIG. 6

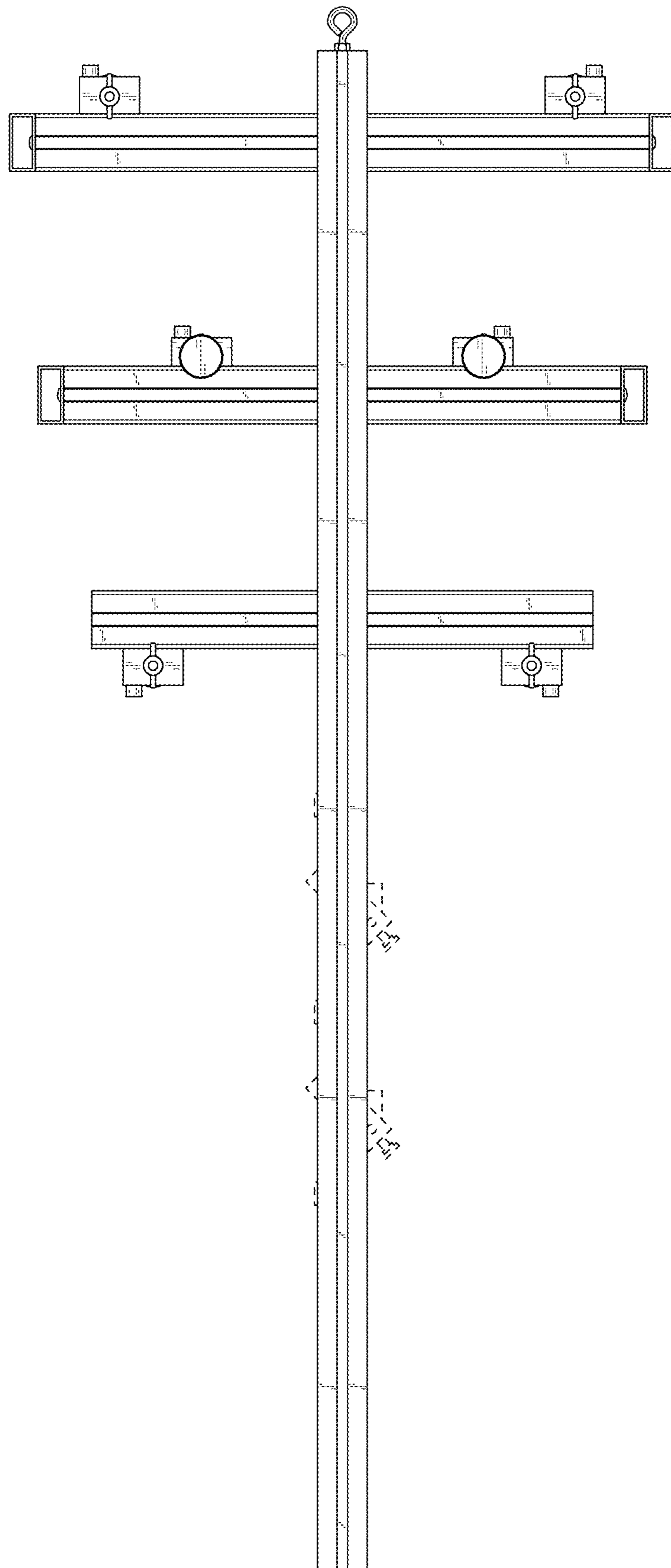


FIG. 7

UNITED STATES PATENT AND TRADEMARK OFFICE
CERTIFICATE OF CORRECTION

PATENT NO. : D773,553 S
APPLICATION NO. : 29/517881
DATED : December 6, 2016
INVENTOR(S) : Jay Hostetler

Page 1 of 1

It is certified that error appears in the above-identified patent and that said Letters Patent is hereby corrected as shown below:

On the Title Page

(71) Applicant: "Stewart-Macdonald Manufacturing Company, Athens, OH (US)"

Should read:

(71) Applicant: --Stewart-MacDonald Manufacturing Company, Athens, OH (US)--

Signed and Sealed this
Twenty-first Day of February, 2017



Michelle K. Lee
Director of the United States Patent and Trademark Office