



US00D773551S

(12) **United States Design Patent** (10) **Patent No.:** **US D773,551 S**  
**Clearman et al.** (45) **Date of Patent:** **\*\* Dec. 6, 2016**

(54) **CAMERA MOUNT**

(71) Applicant: **GoPro, Inc.**, San Mateo, CA (US)

(72) Inventors: **Christopher Aaron Clearman**, Half Moon Bay, CA (US); **Huy Phuong Nguyen**, San Mateo, CA (US)

(73) Assignee: **GoPro, Inc.**, San Mateo, CA (US)

(\*\*) Term: **15 Years**

(21) Appl. No.: **29/530,989**

(22) Filed: **Jun. 22, 2015**

(51) **LOC (10) Cl.** ..... **16-05**

(52) **U.S. Cl.**  
USPC ..... **D16/242**

(58) **Field of Classification Search**  
USPC ..... D16/206, 219, 235, 237-245, 250;  
D14/251, 253; D8/107, 303, 354, 355,  
356, D8/363, 367, 373, 380, 383, 387,  
394, 396

(Continued)

(56) **References Cited**

**U.S. PATENT DOCUMENTS**

D402,881 S \* 12/1998 Fischer ..... D8/354  
D511,960 S \* 11/2005 Ogino ..... D8/354

(Continued)

*Primary Examiner* — Vy Koenig

(74) *Attorney, Agent, or Firm* — Fenwick & West LLP

(57) **CLAIM**

The ornamental design for a camera mount, as shown and described.

**DESCRIPTION**

FIG. 1 is a rear, top and left side perspective view of a camera mount, consisting of a top and bottom component, showing our new design;

FIG. 2 is a front, bottom, and left side perspective view thereof;

FIG. 3 is a front, top, and right side perspective view thereof;

FIG. 4 is a rear, bottom, and right side perspective view thereof;

FIG. 5 is a front elevational view thereof;

FIG. 6 is a rear elevational view thereof;

FIG. 7 is a left side elevational view thereof;

FIG. 8 is a right side elevational view thereof;

FIG. 9 is a top plan view thereof;

FIG. 10 is a bottom plan view thereof;

FIG. 11 is a rear, top, and left side perspective view of the top component of the camera mount of FIGS. 1-10 shown separately for clarity of illustration;

FIG. 12 is a front, bottom, and left side perspective view thereof;

FIG. 13 is a front, top, and right side perspective view thereof;

FIG. 14 is a rear, bottom, and right side perspective view thereof;

FIG. 15 is a front elevational view thereof;

FIG. 16 is a rear elevational view thereof;

FIG. 17 is a left side elevational view thereof;

FIG. 18 is a right side elevational view thereof;

FIG. 19 is a top plan view thereof;

FIG. 20 is a bottom plan view thereof;

FIG. 21 is a rear, top and left side perspective view of the bottom component of the camera mount of FIGS. 1-10 shown separately for clarity of illustration;

FIG. 22 is a front, bottom, and left side perspective view thereof;

FIG. 23 is a front, top, and right side perspective view thereof;

FIG. 24 is a rear, bottom, and right side perspective view thereof;

FIG. 25 is a front elevational view thereof;

FIG. 26 is a rear elevational view thereof;

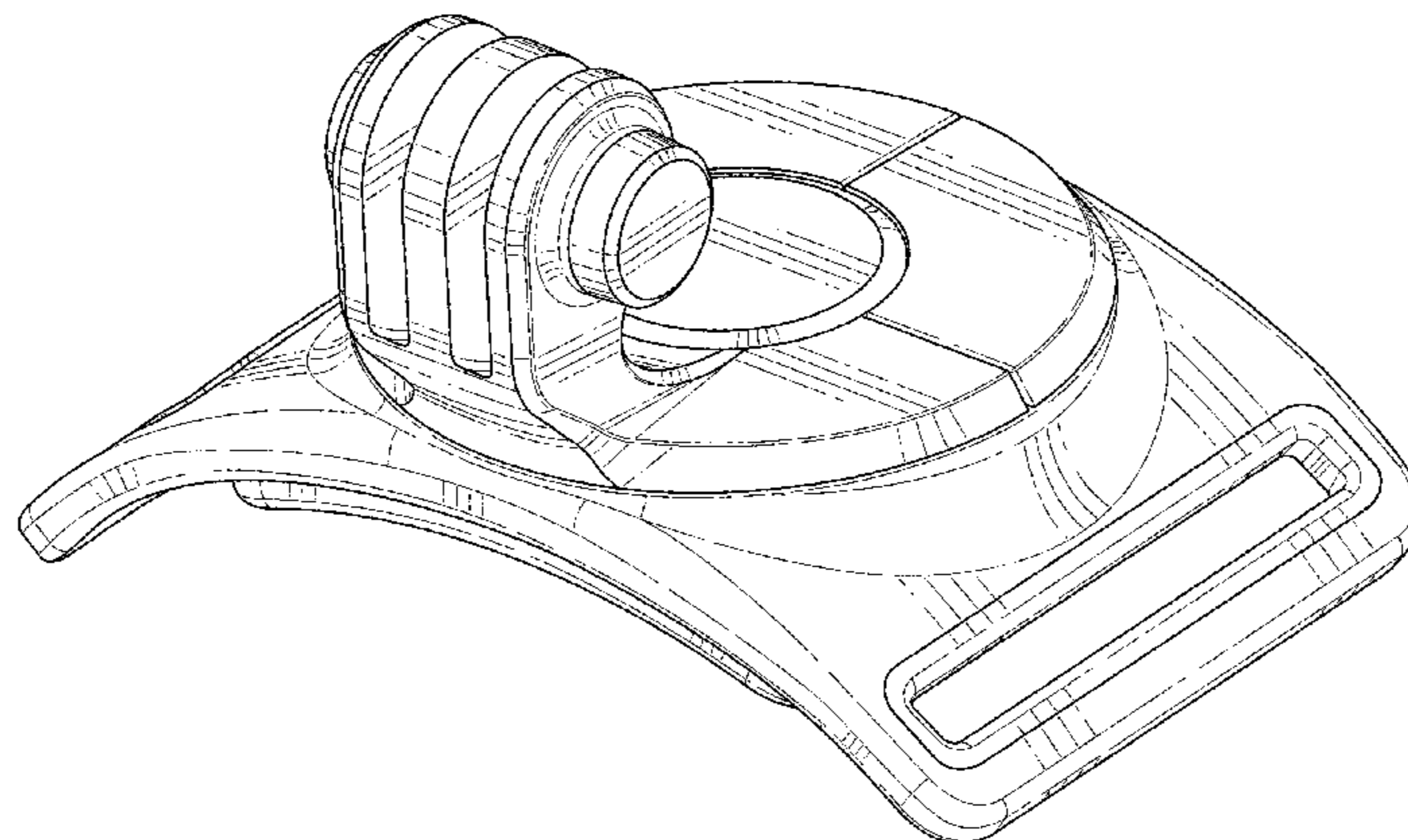
FIG. 27 is a left side elevational view thereof;

FIG. 28 is a right side elevational view thereof;

FIG. 29 is a top plan view thereof; and,

FIG. 30 is a bottom plan view thereof.

(Continued)



The broken lines in the drawings showing portions of the camera mount are included for the purpose of illustrating environmental structure and form no part of the claimed design.

**1 Claim, 30 Drawing Sheets**

(58) **Field of Classification Search**

CPC ..... G03B 17/56; G03B 17/561-17/568;  
G02B 7/00-7/002; H04N 5/2253-5/2254;  
F16M 11/04-11/12

See application file for complete search history.

(56) **References Cited**

U.S. PATENT DOCUMENTS

D568,996 S \* 5/2008 Woodruff ..... D24/110

D608,688 S \* 1/2010 Dalzell ..... D11/200  
D616,727 S \* 6/2010 Chou ..... D8/354  
D688,118 S \* 8/2013 Hobson ..... D8/356  
D688,548 S \* 8/2013 Hobson ..... D8/356  
D714,374 S \* 9/2014 Sammons ..... D16/237  
D714,683 S \* 10/2014 McEntyre ..... D11/218  
8,863,362 B2 \* 10/2014 Kelleghan ..... A44B 11/266  
24/615  
D734,654 S \* 7/2015 Geiger ..... D8/354  
D750,693 S \* 3/2016 Sammons ..... D16/237  
D751,744 S \* 3/2016 Watson ..... D26/113  
D757,842 S \* 5/2016 Harrison ..... D16/242  
D758,473 S \* 6/2016 Costa ..... D16/242  
D764,566 S \* 8/2016 Bennett ..... D16/242  
2007/0193006 A1 \* 8/2007 Kitano ..... A44B 17/0011  
24/323  
2012/0281977 A1 \* 11/2012 Stevenson ..... G03B 17/566  
396/544

\* cited by examiner

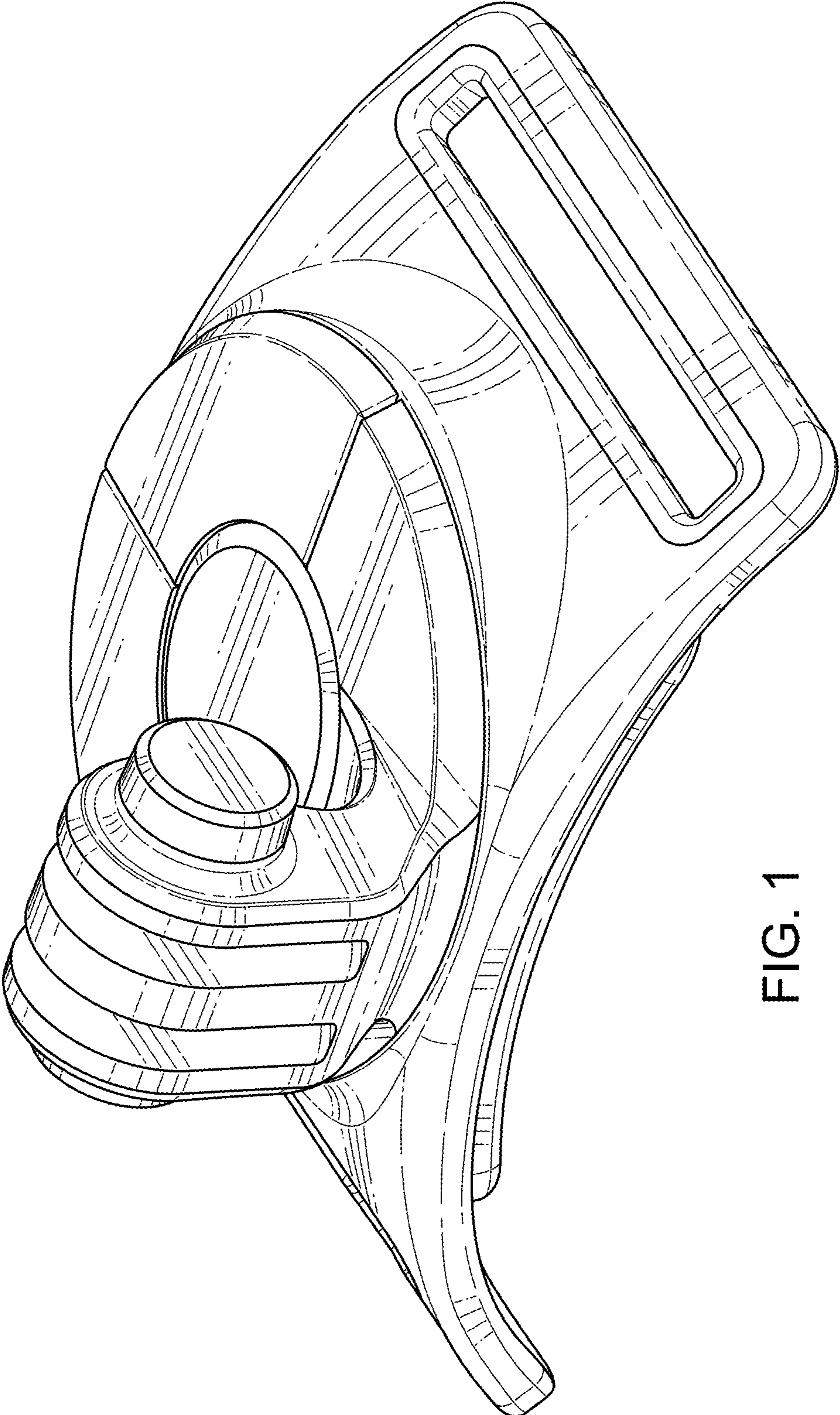


FIG. 1

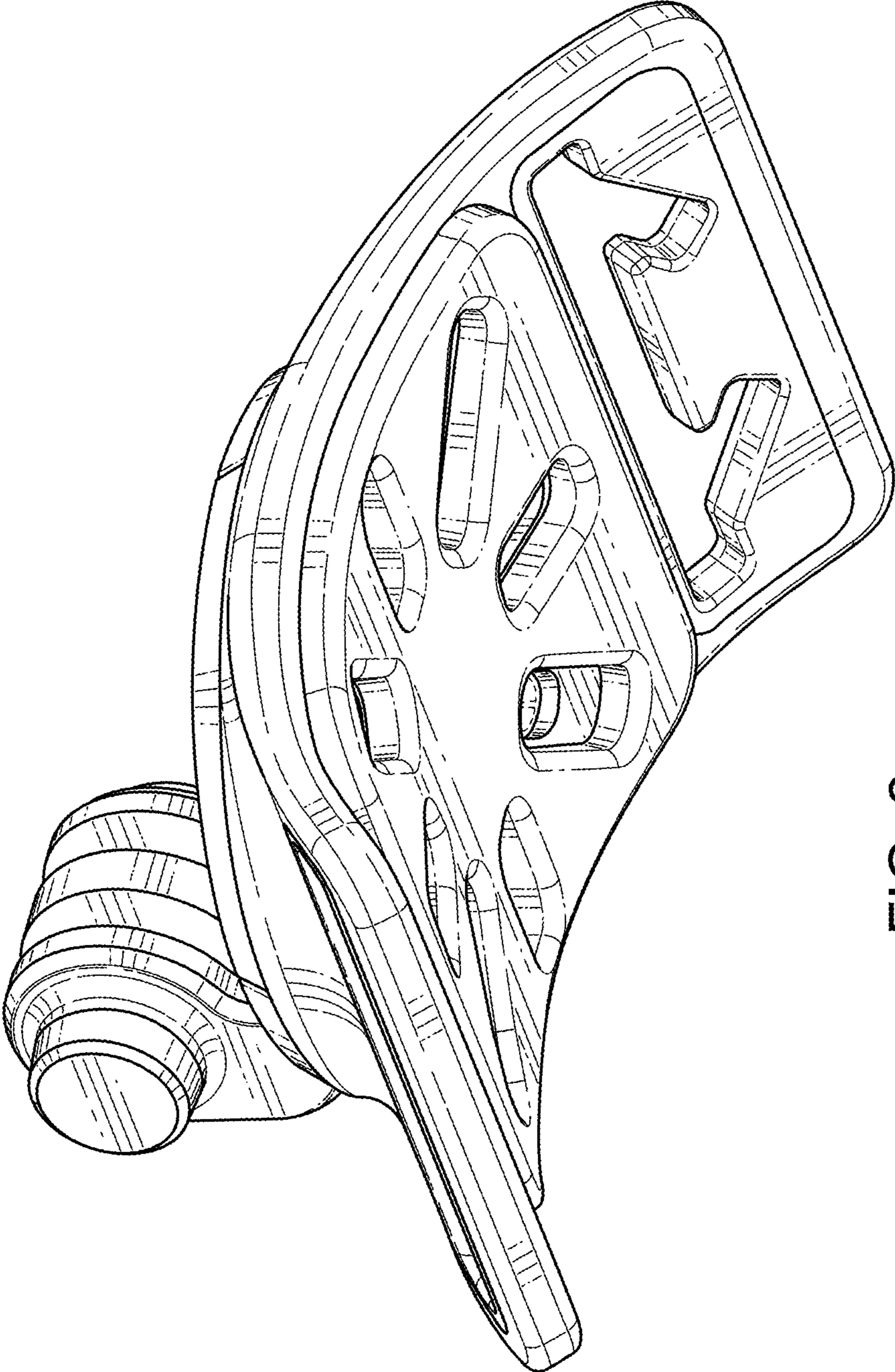


FIG. 2

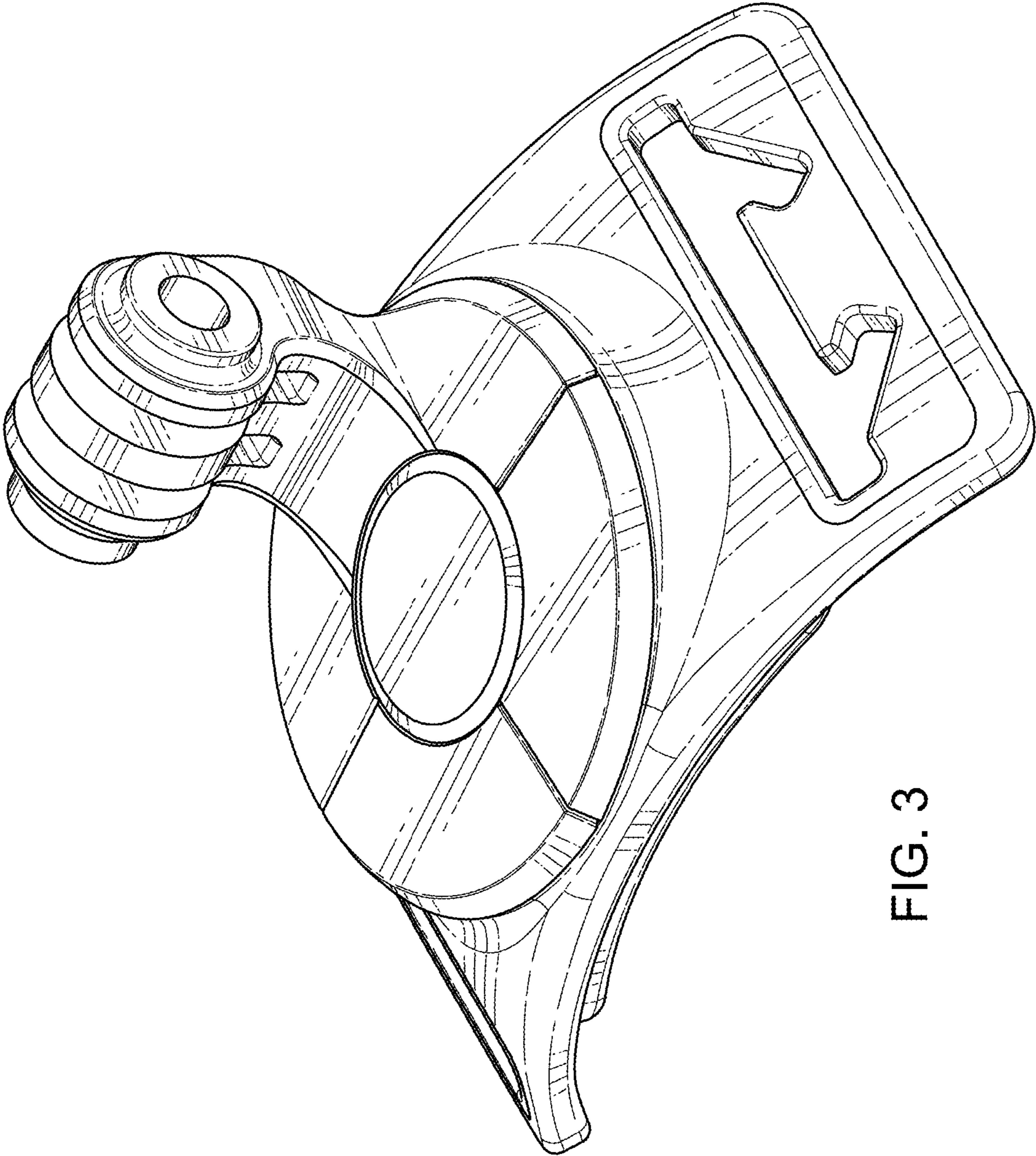


FIG. 3

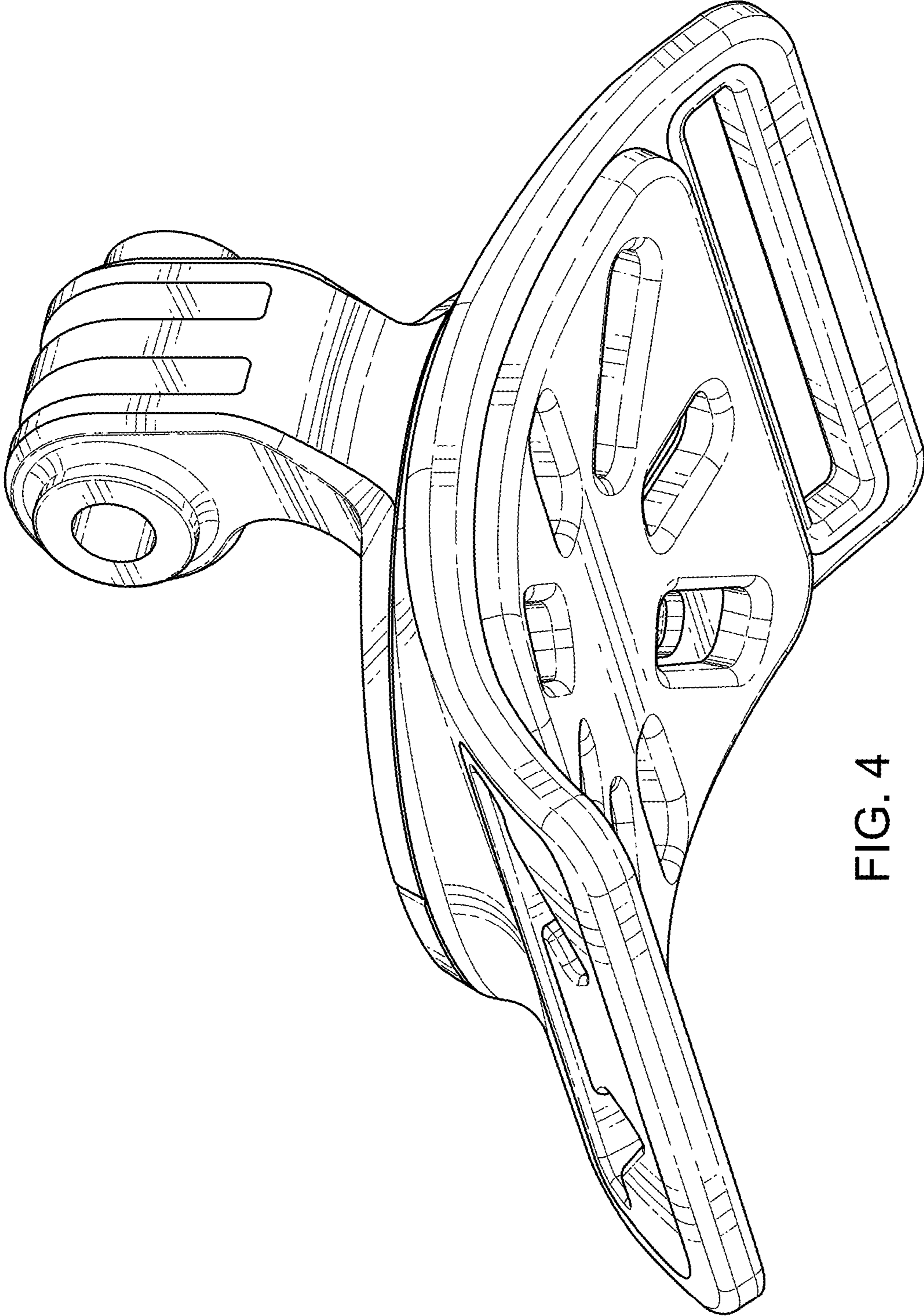


FIG. 4

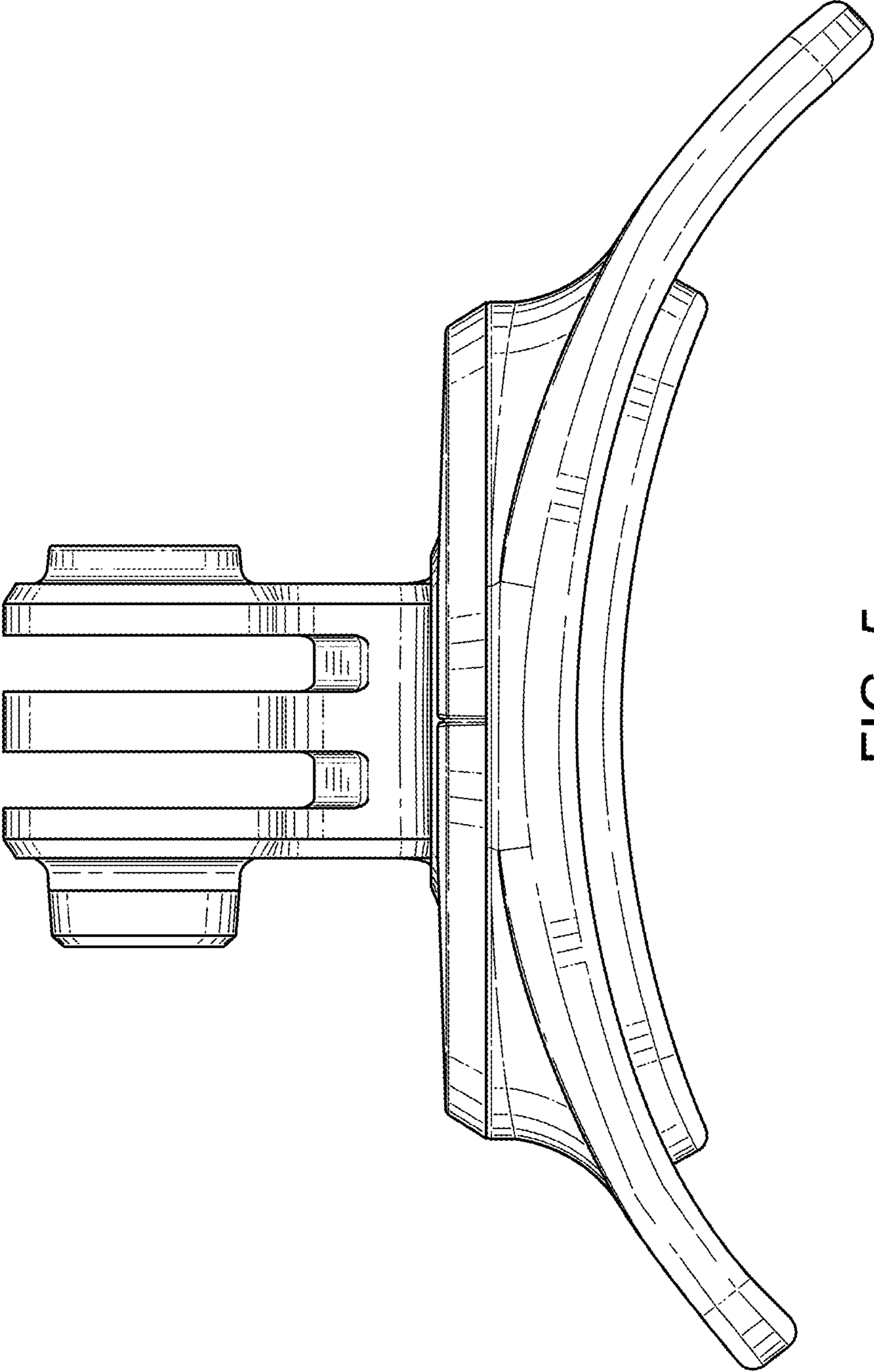


FIG. 5

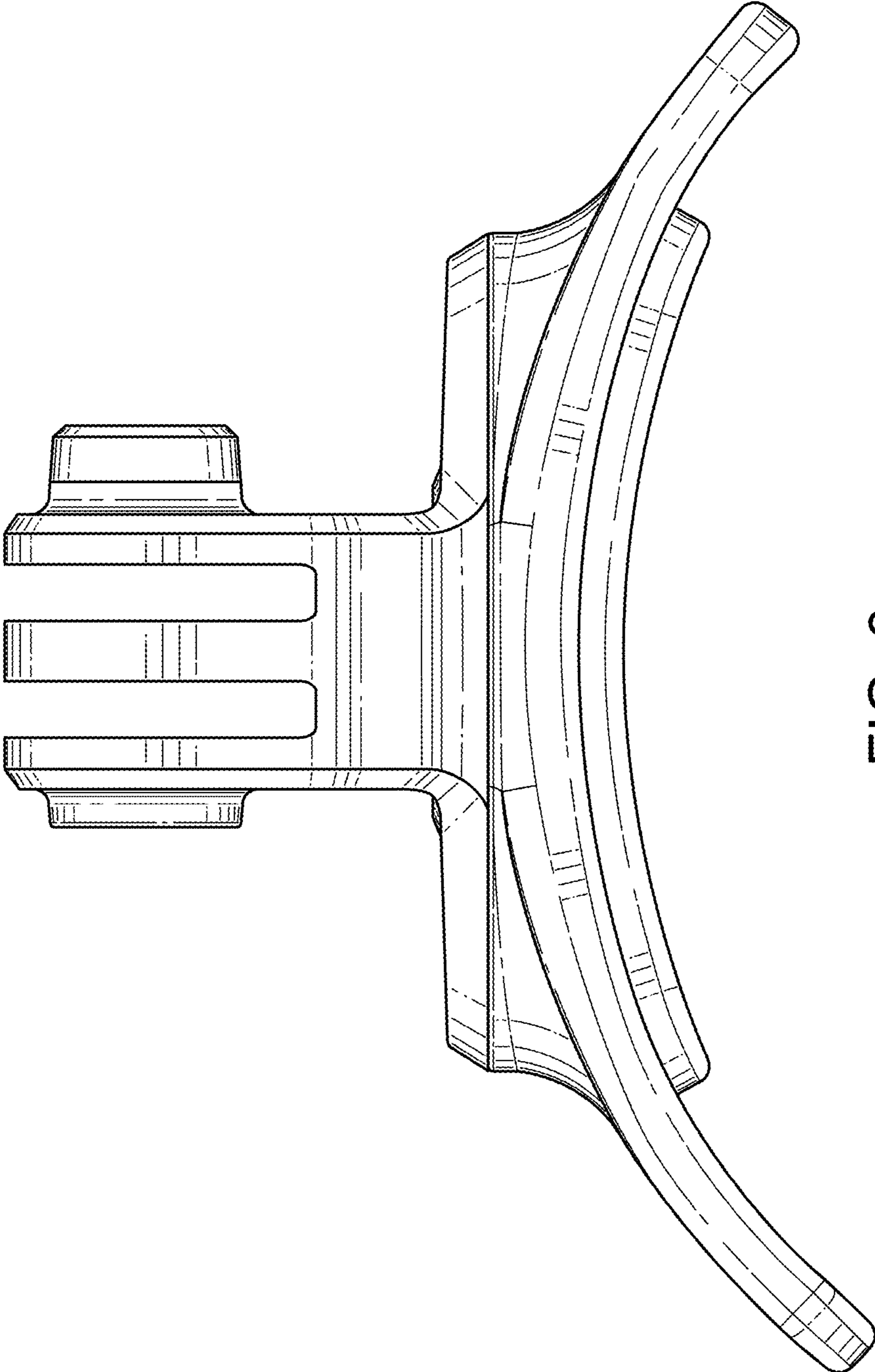


FIG. 6



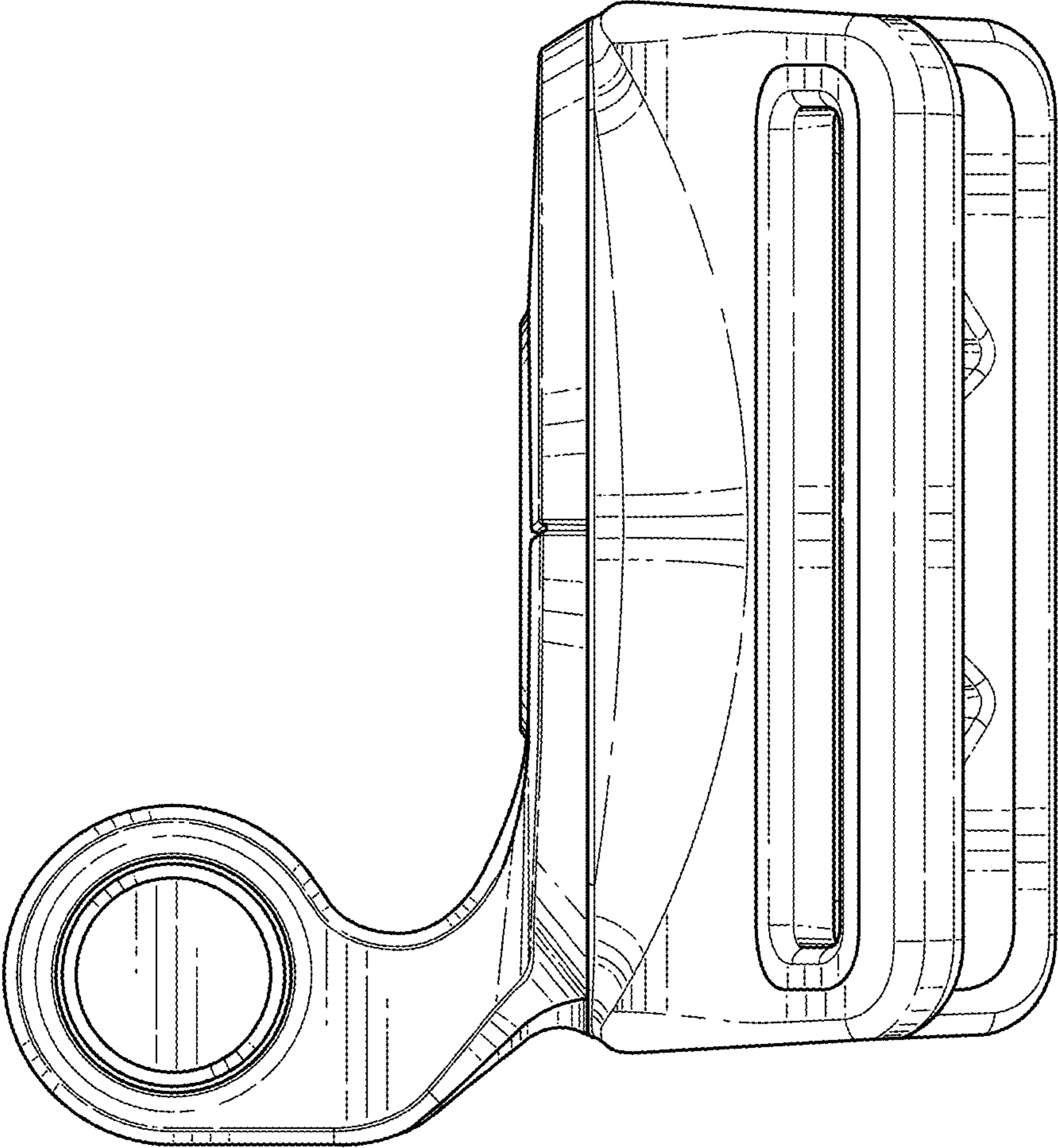


FIG. 7

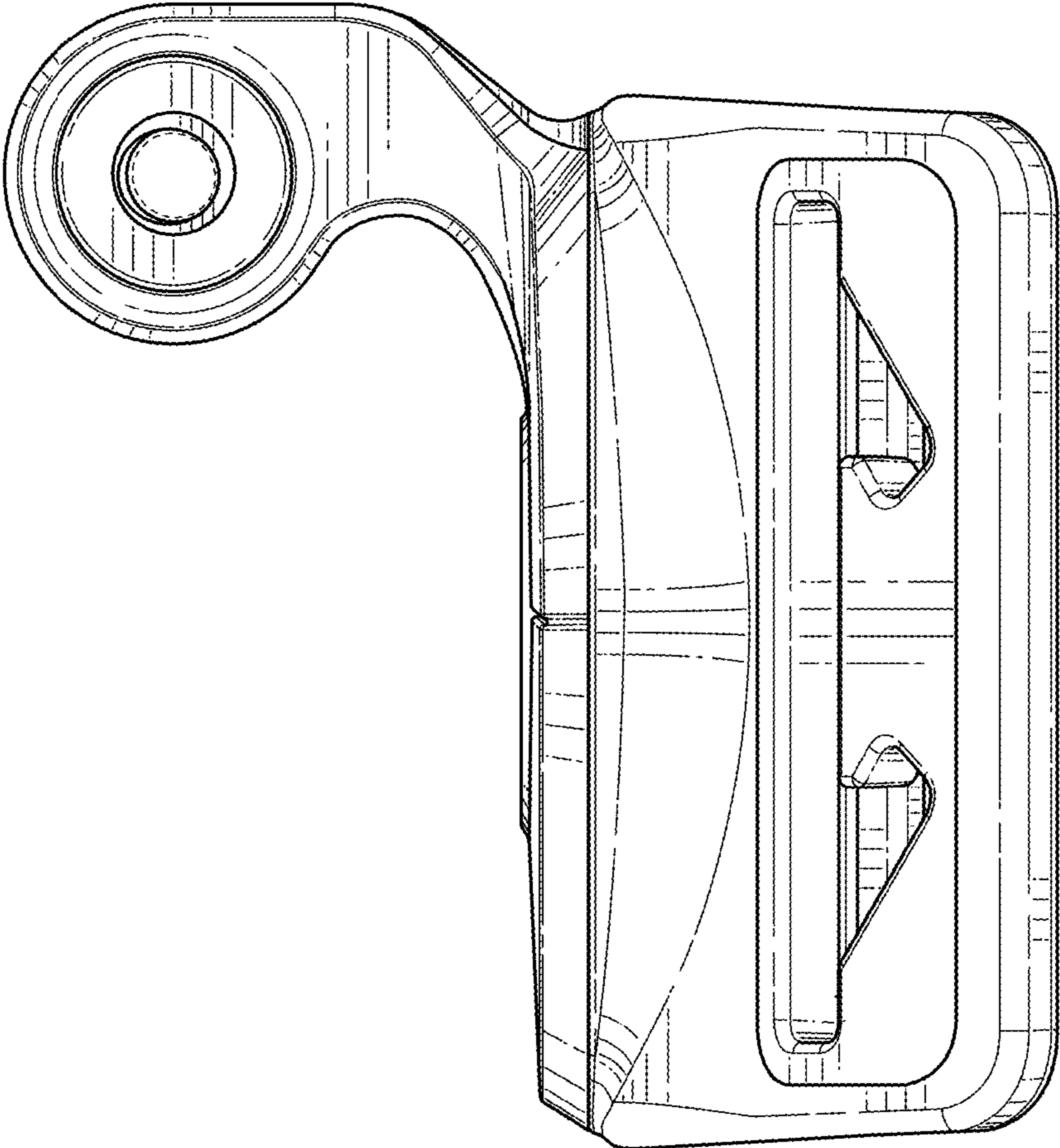


FIG. 8

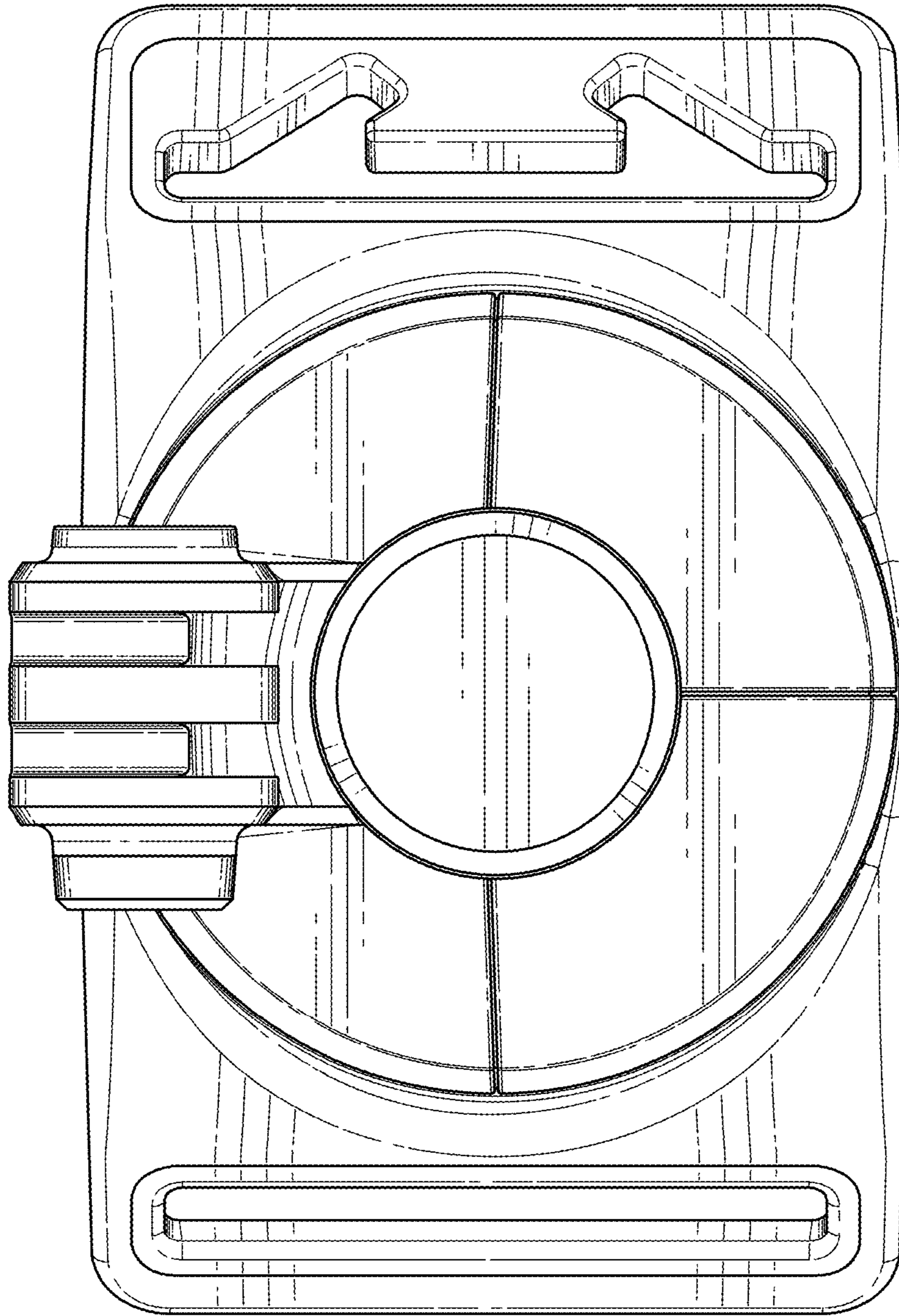


FIG. 9

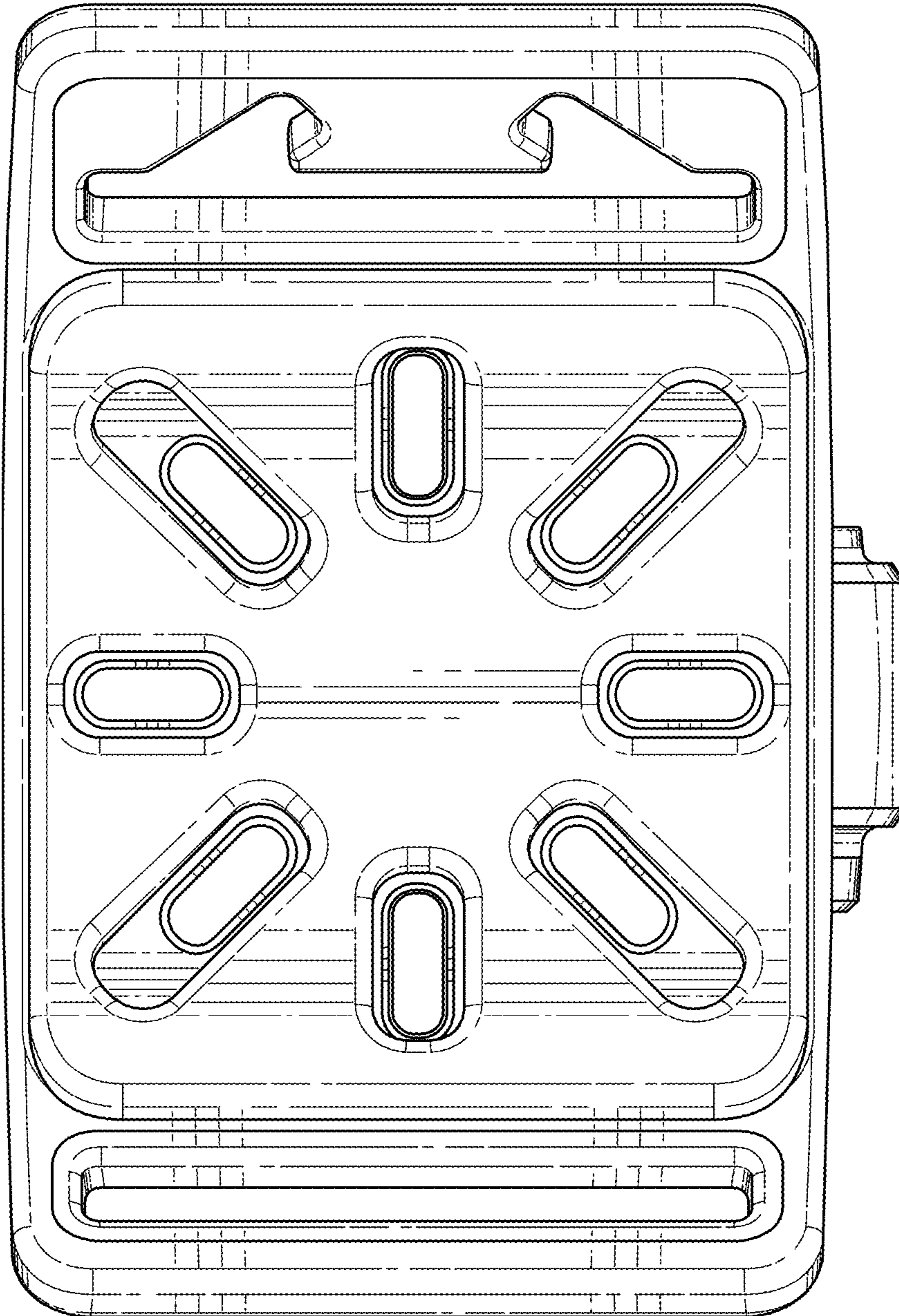


FIG. 10

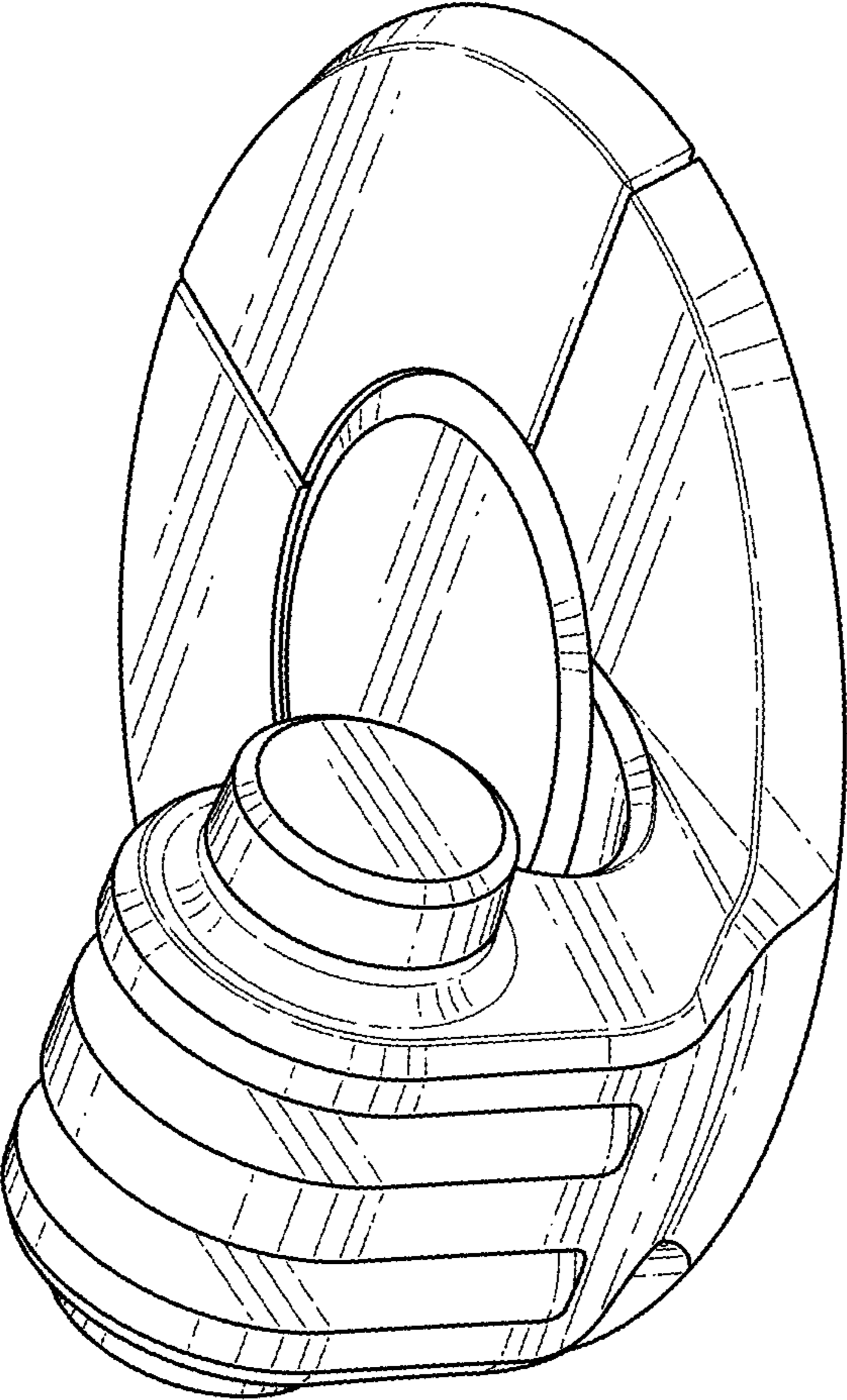


FIG. 11

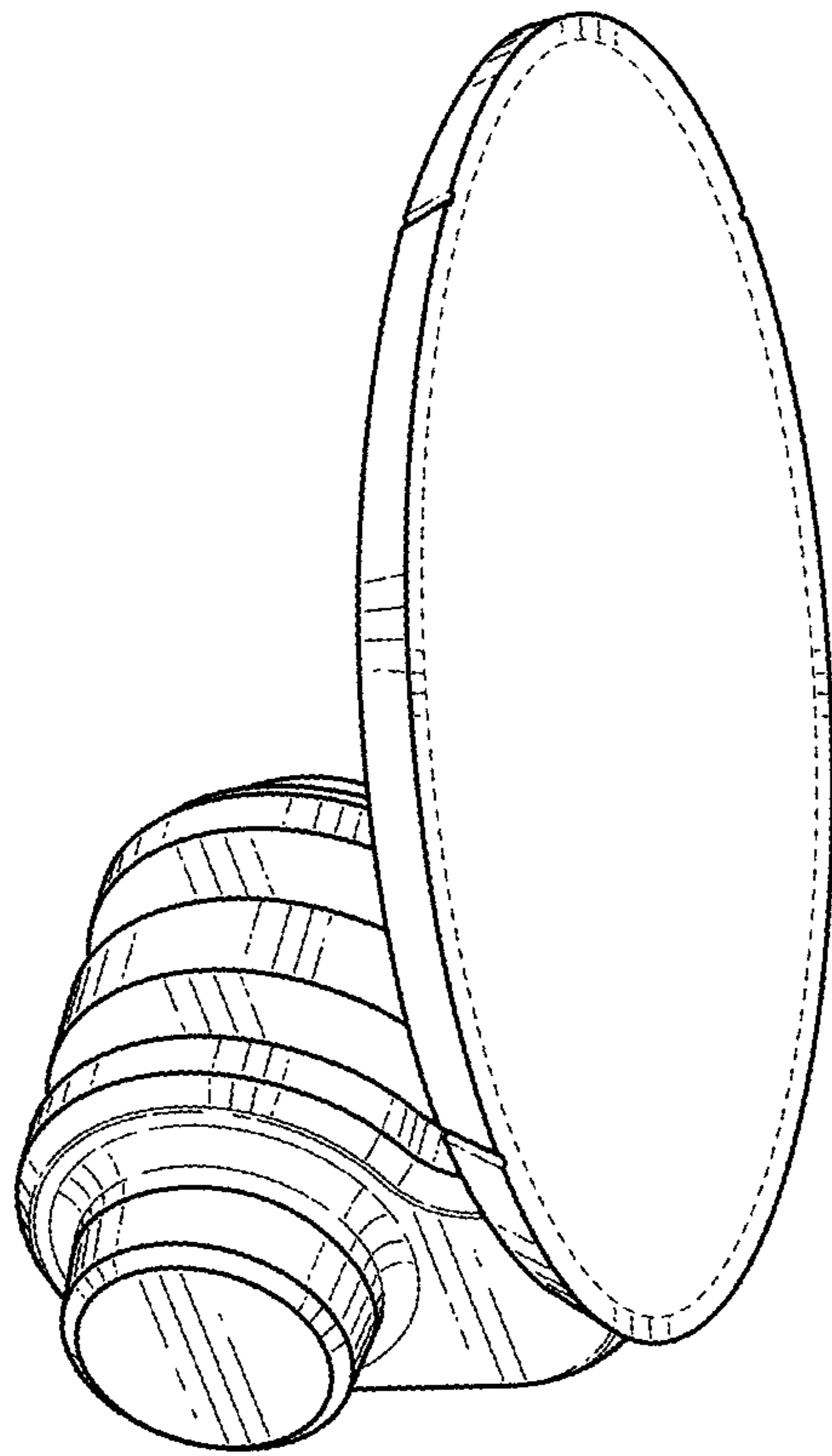


FIG. 12

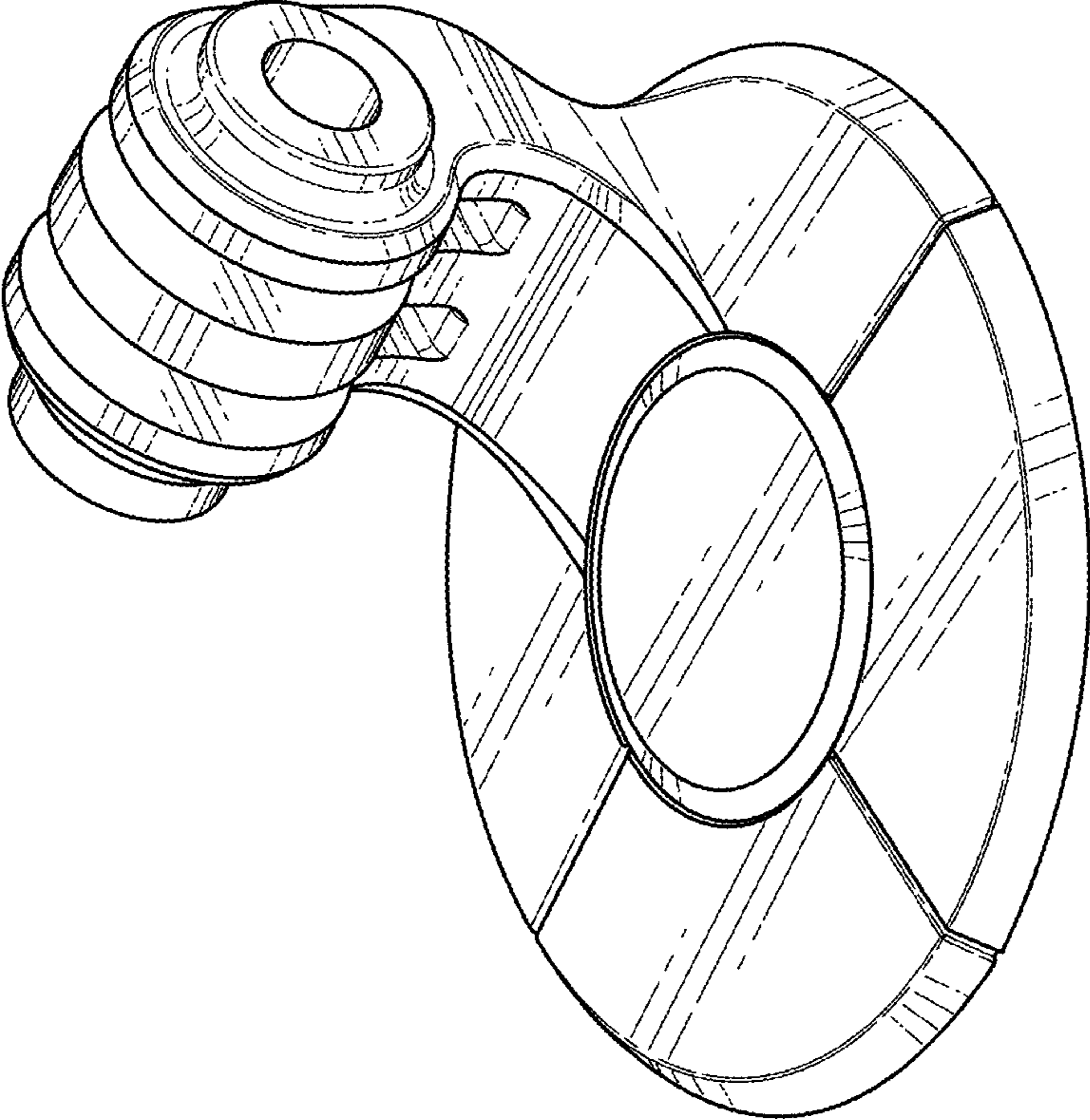


FIG. 13

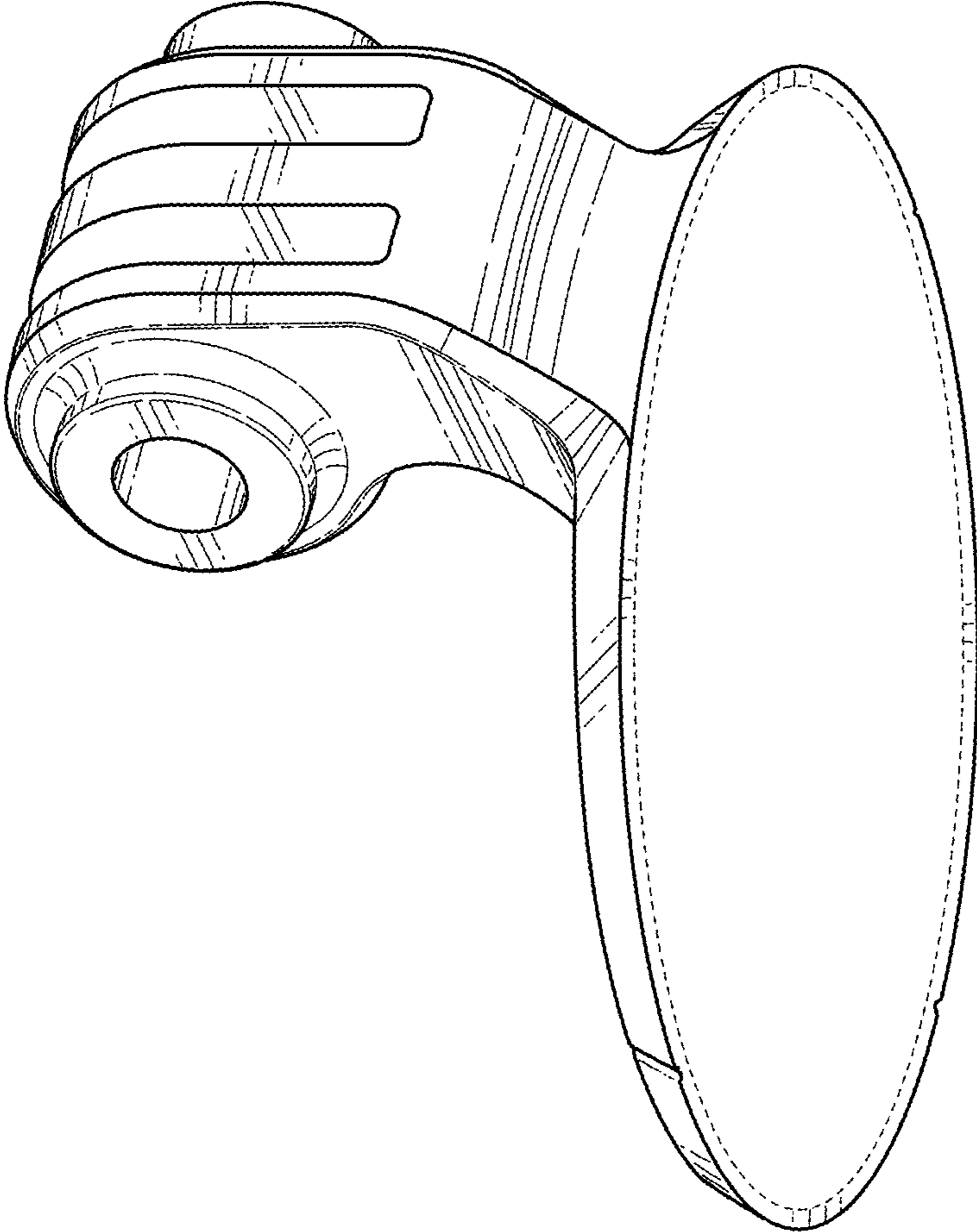


FIG. 14



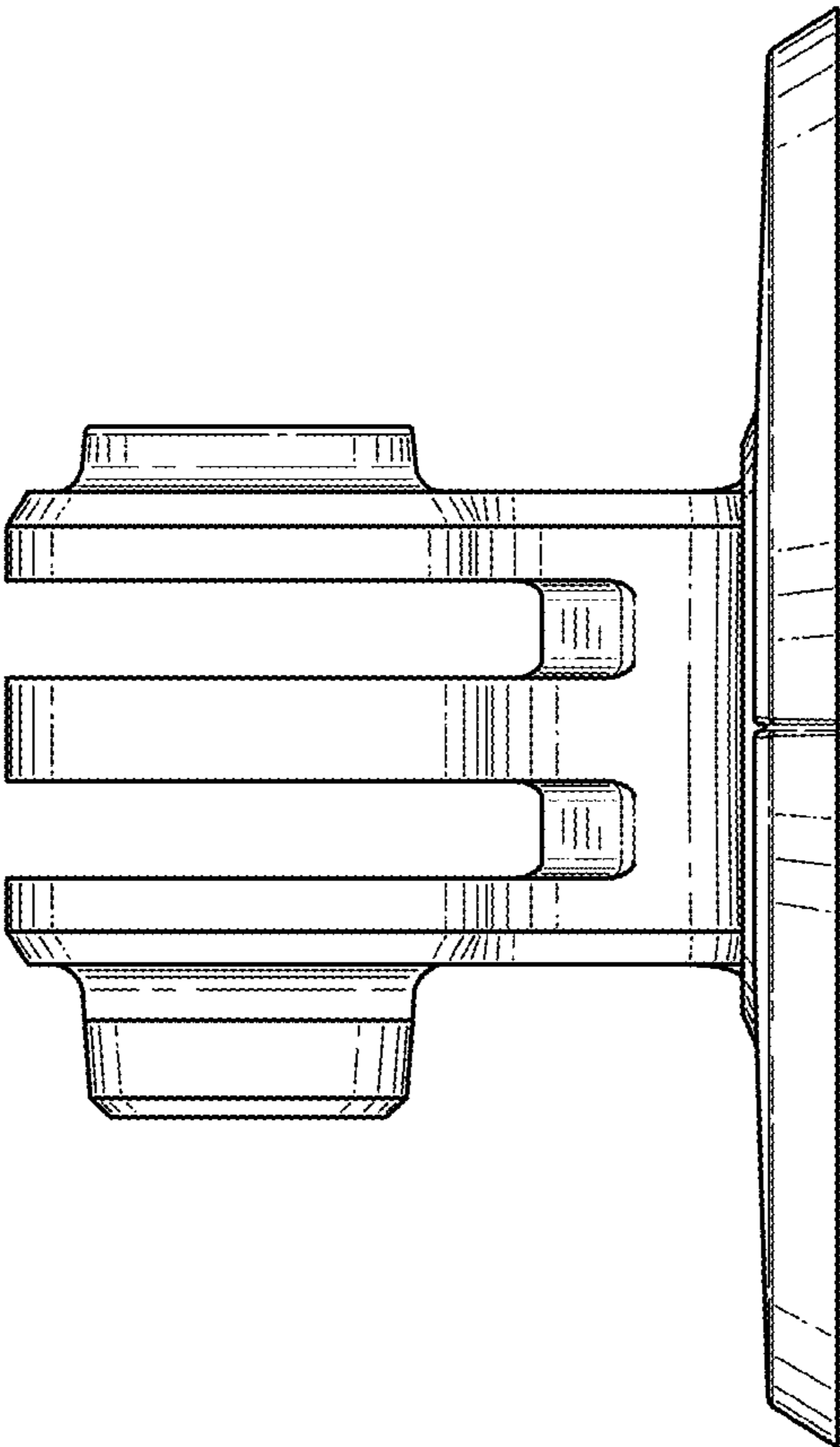


FIG. 15

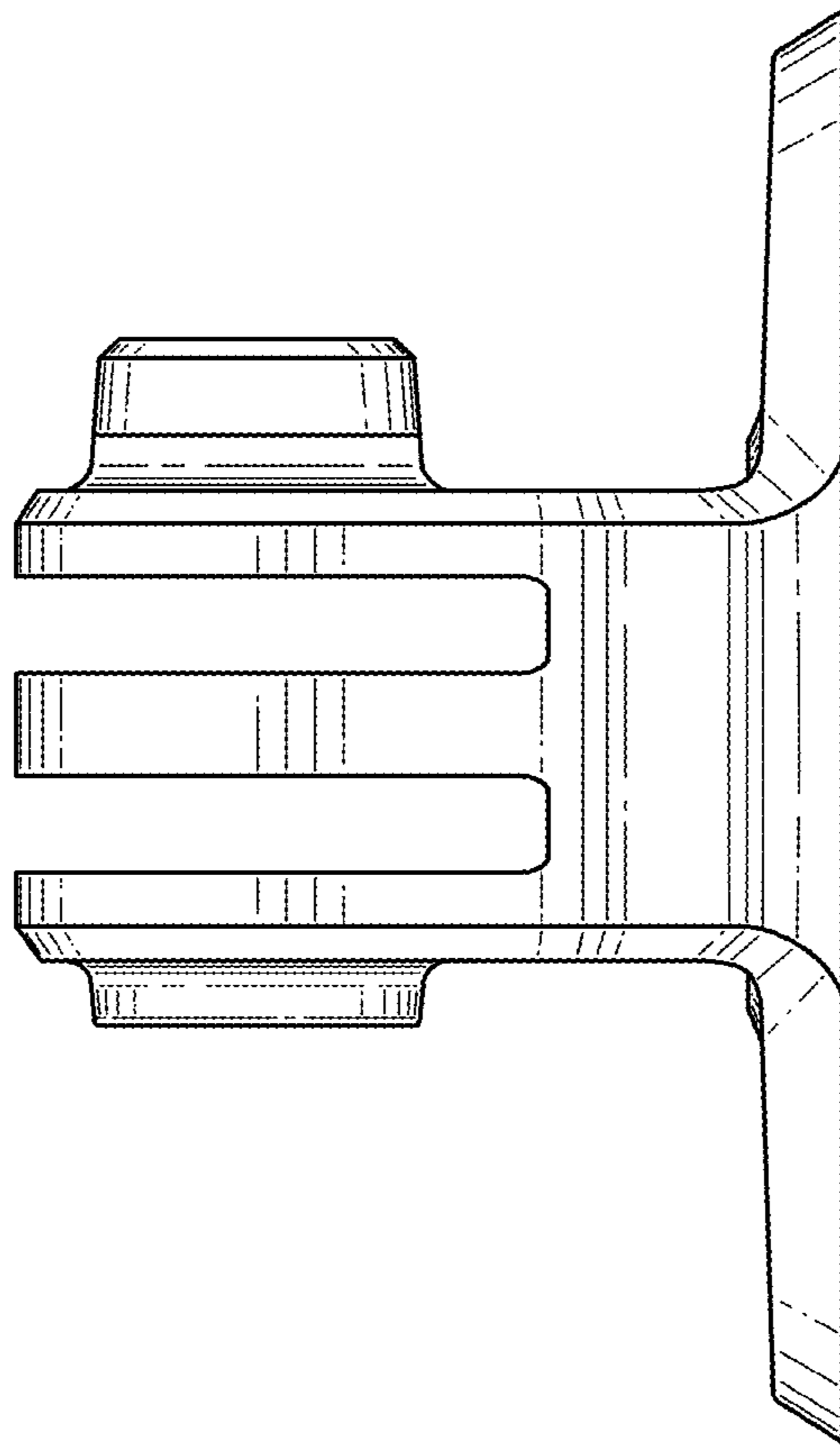


FIG. 16

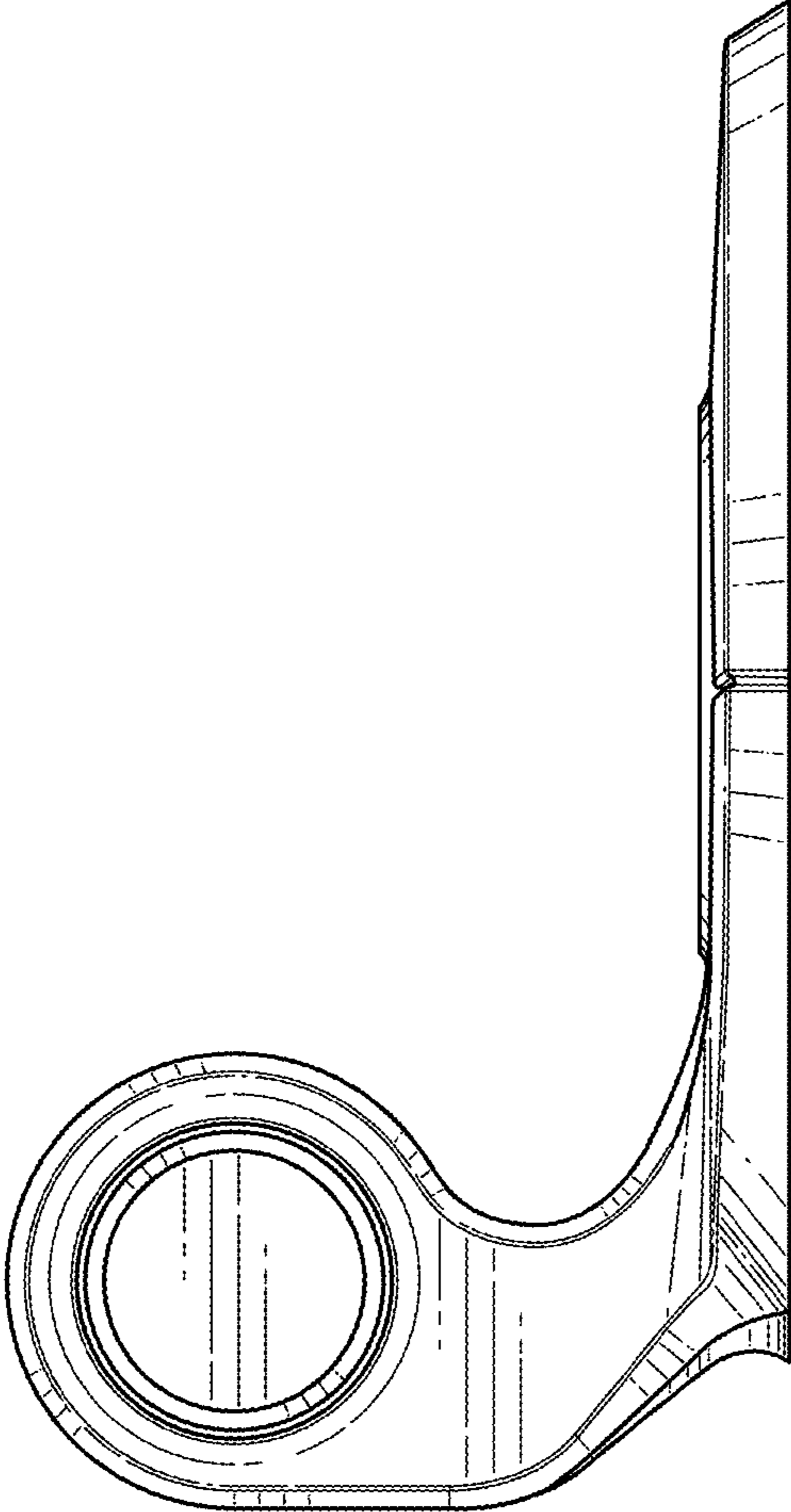


FIG. 17

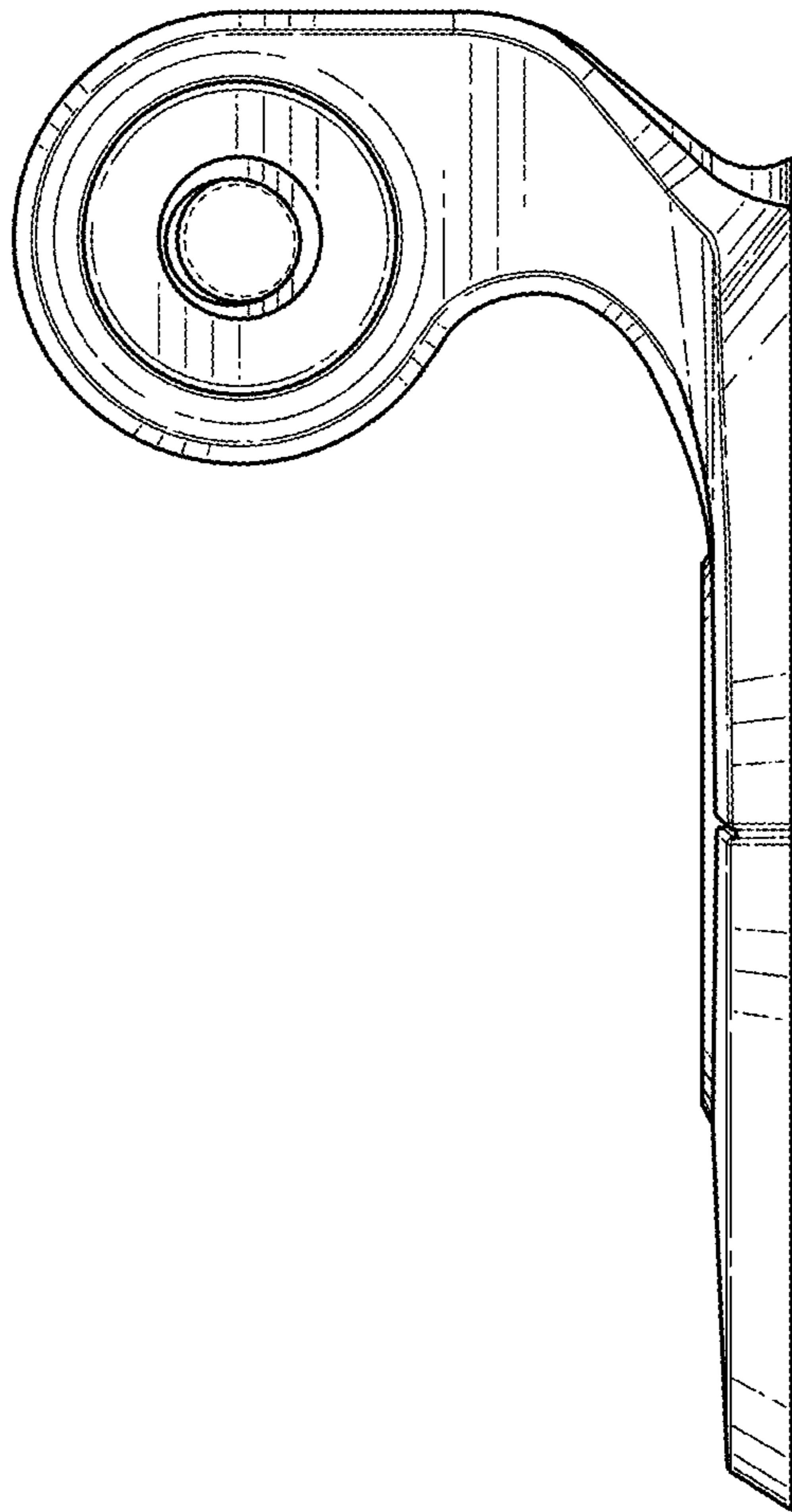


FIG. 18

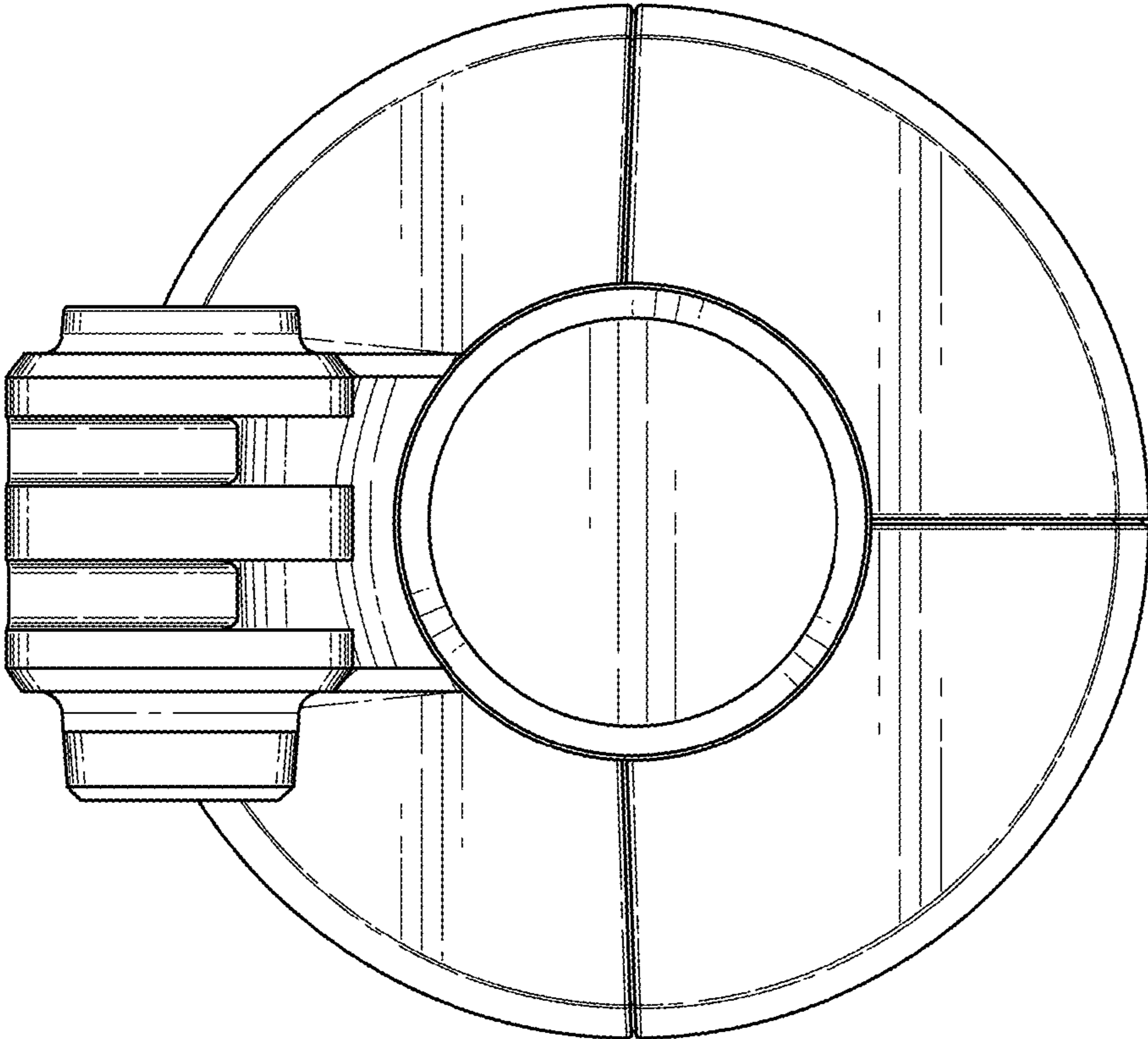


FIG. 19

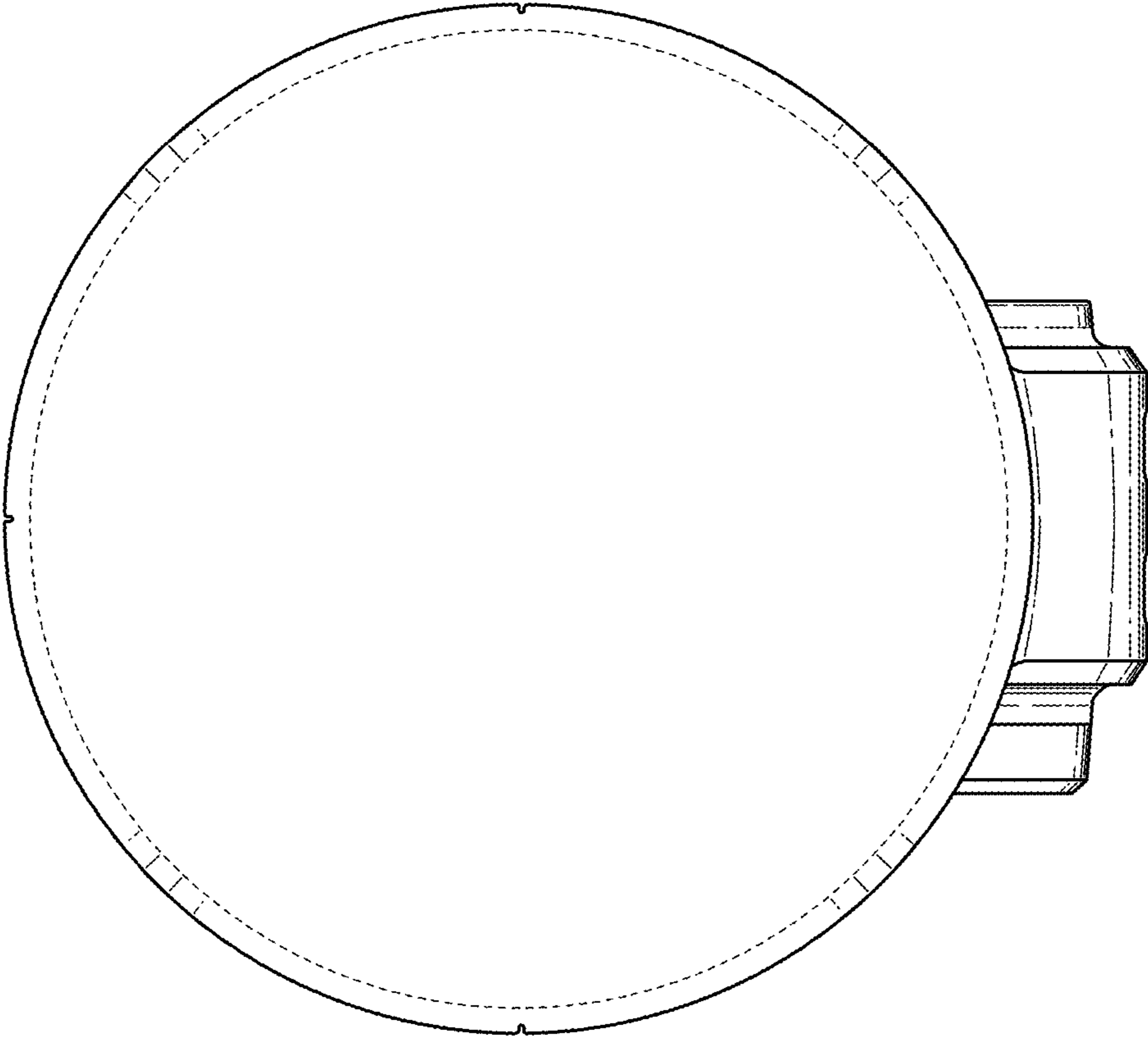


FIG. 20

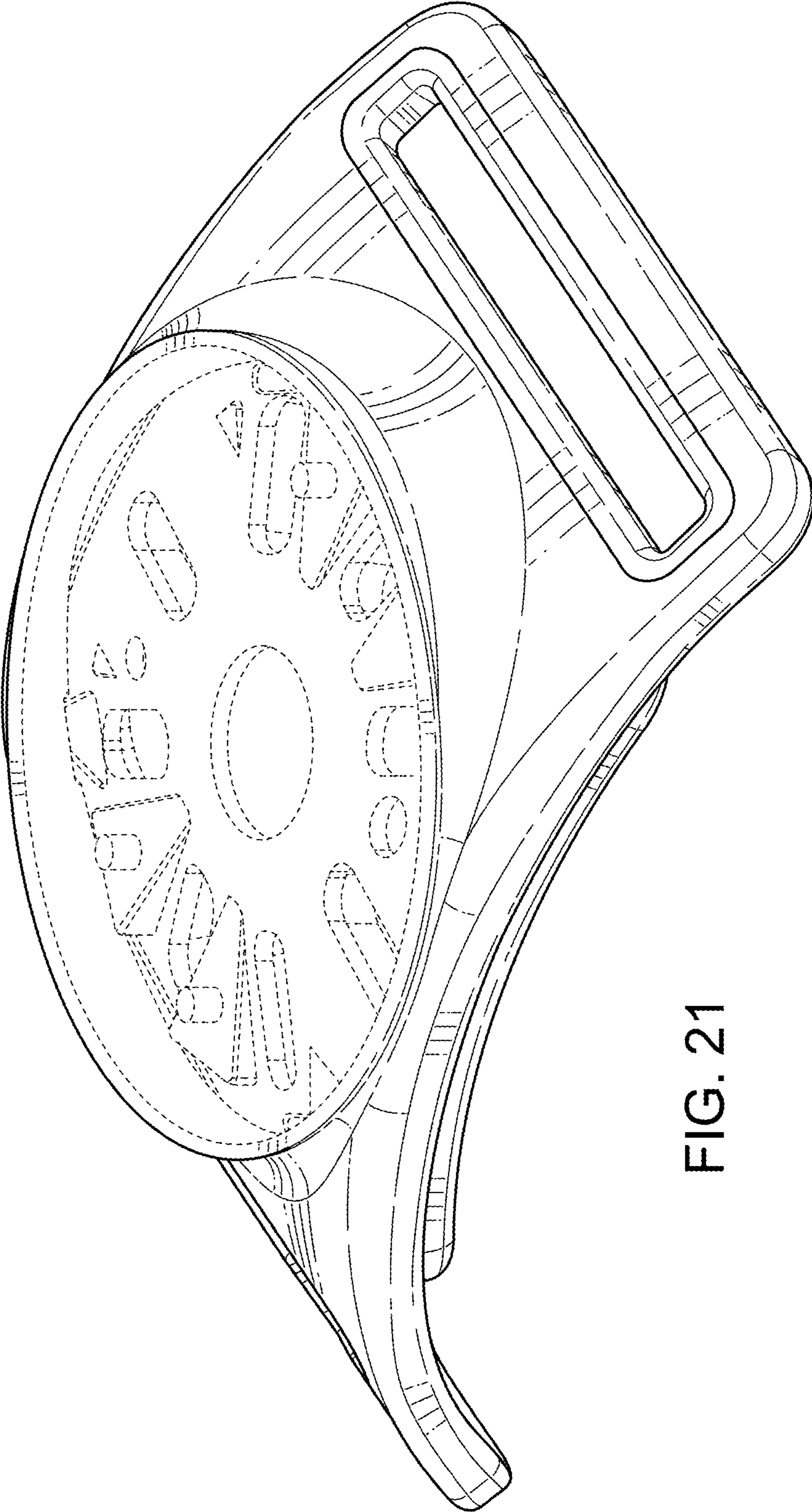


FIG. 21

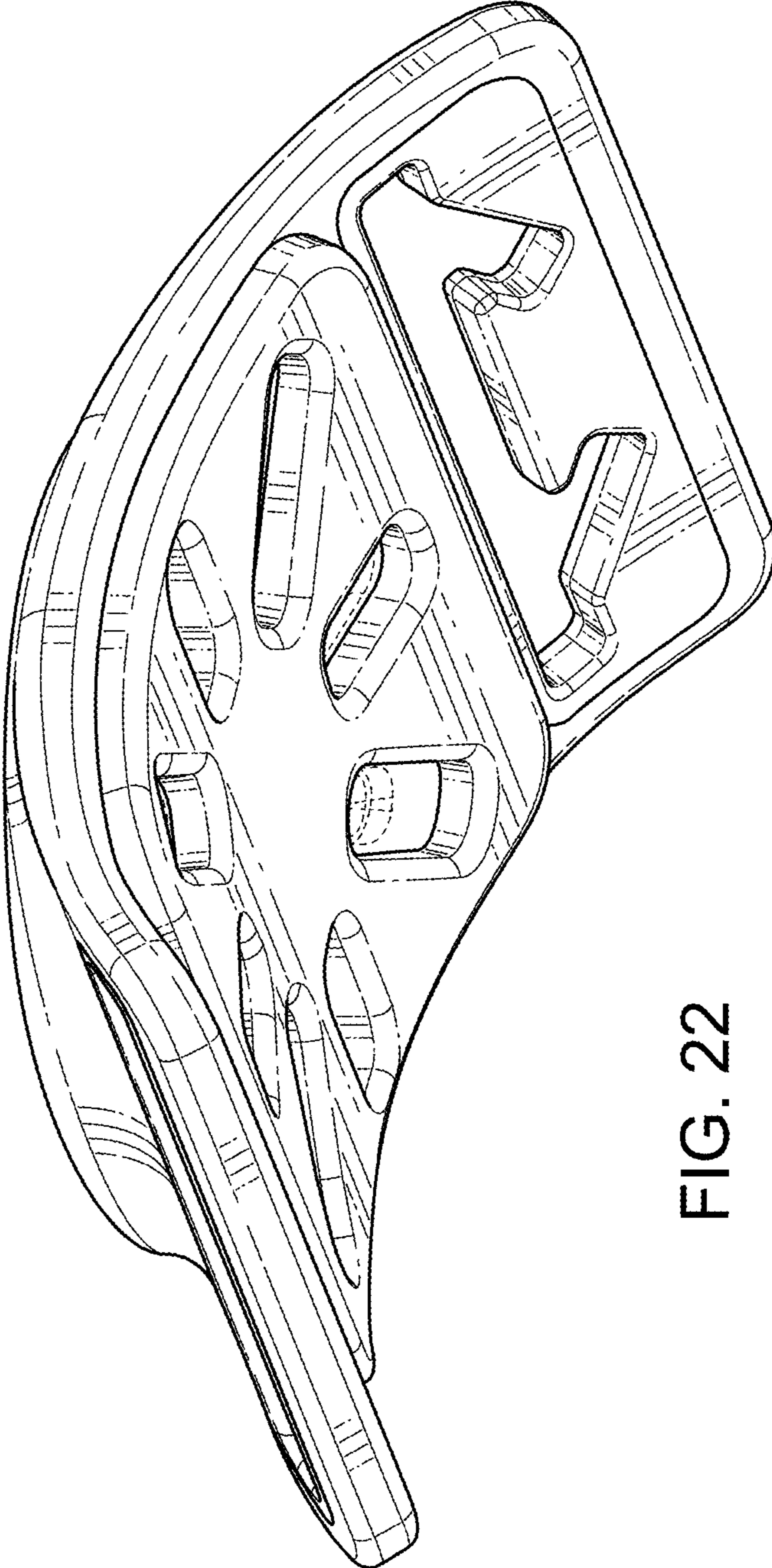


FIG. 22



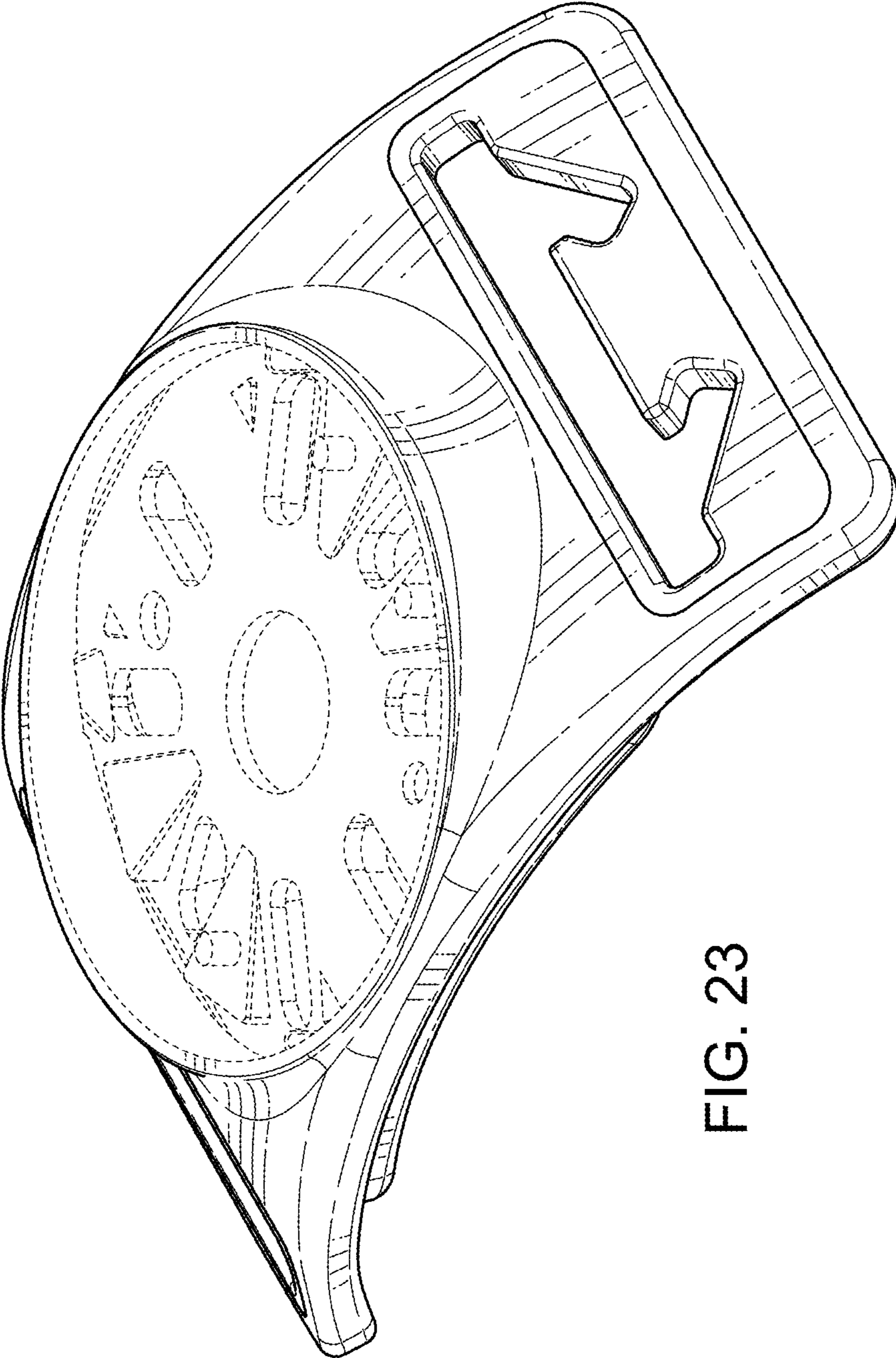


FIG. 23

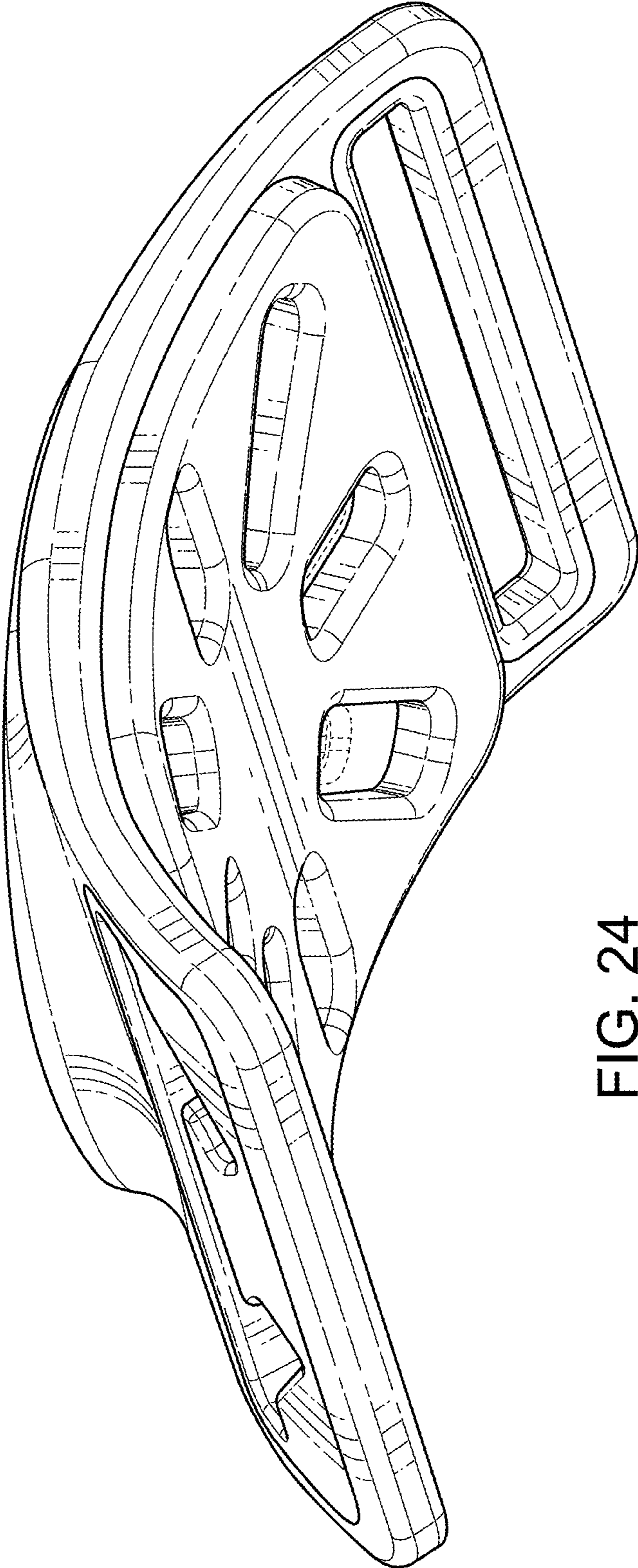


FIG. 24

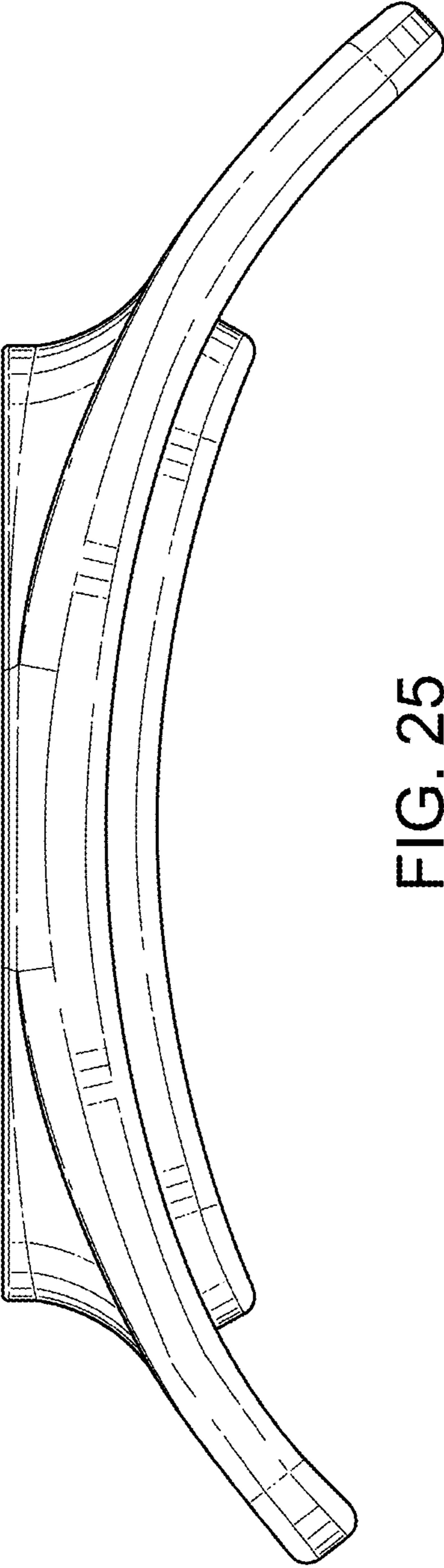


FIG. 25

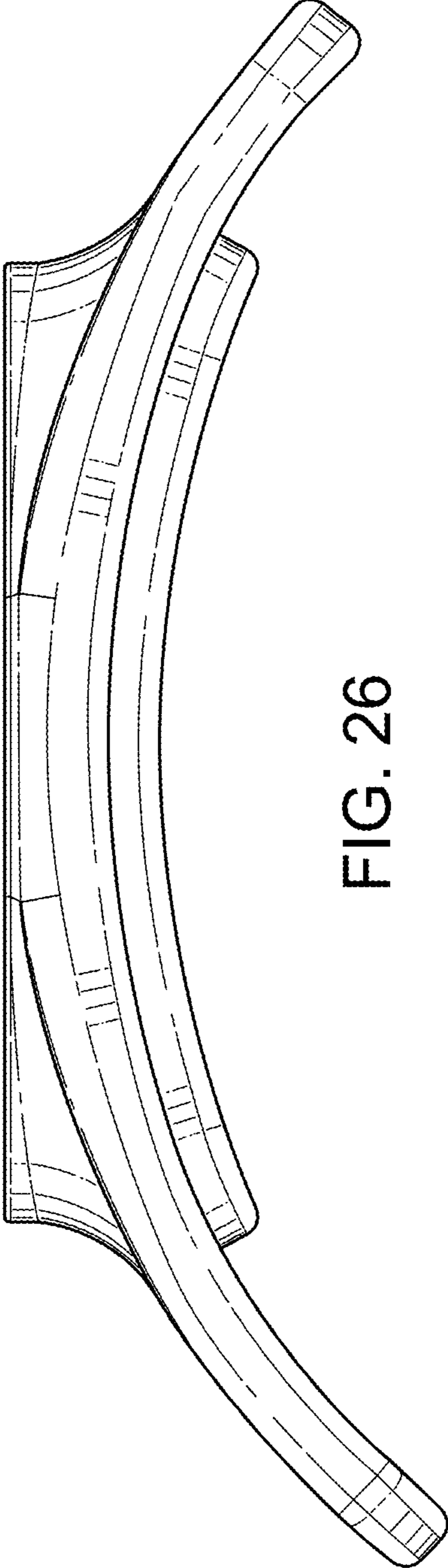


FIG. 26

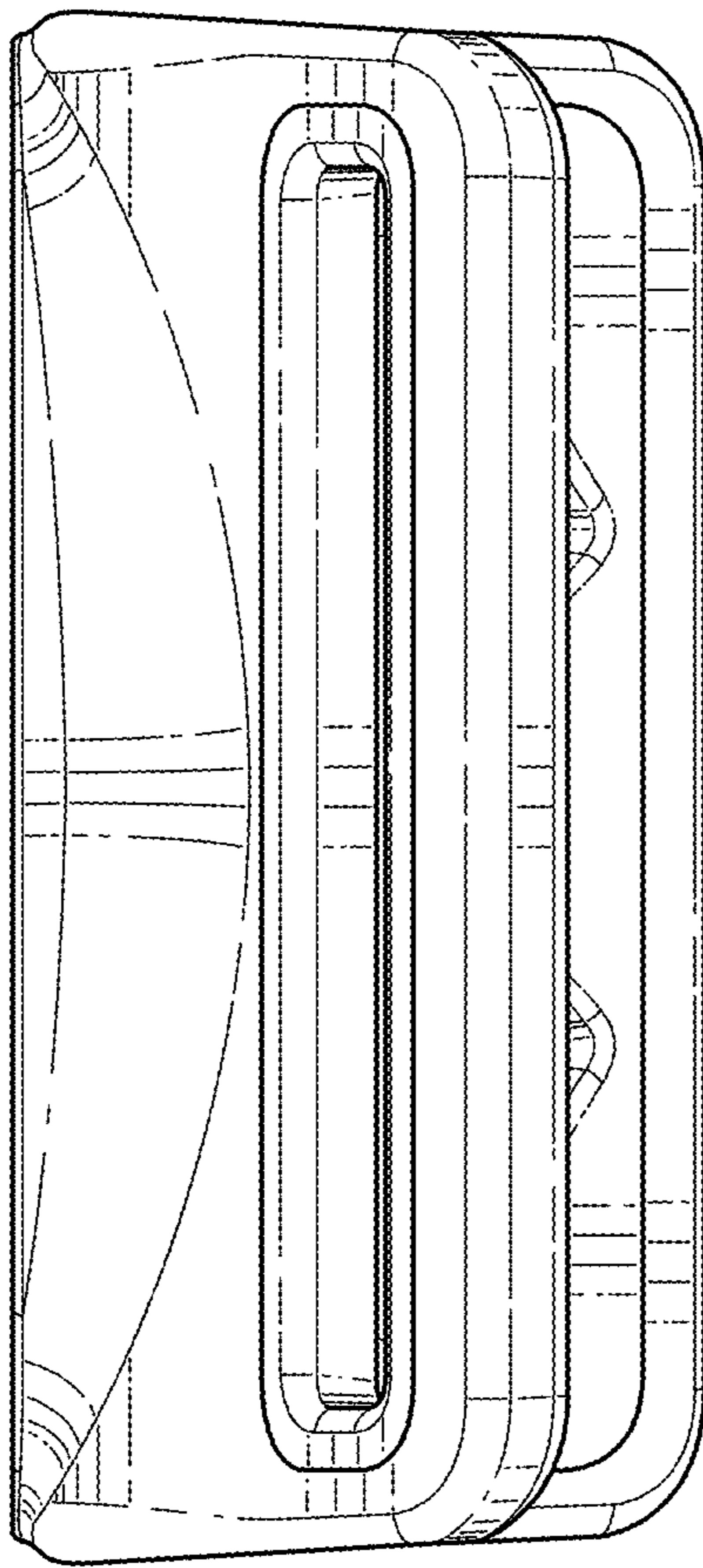


FIG. 27

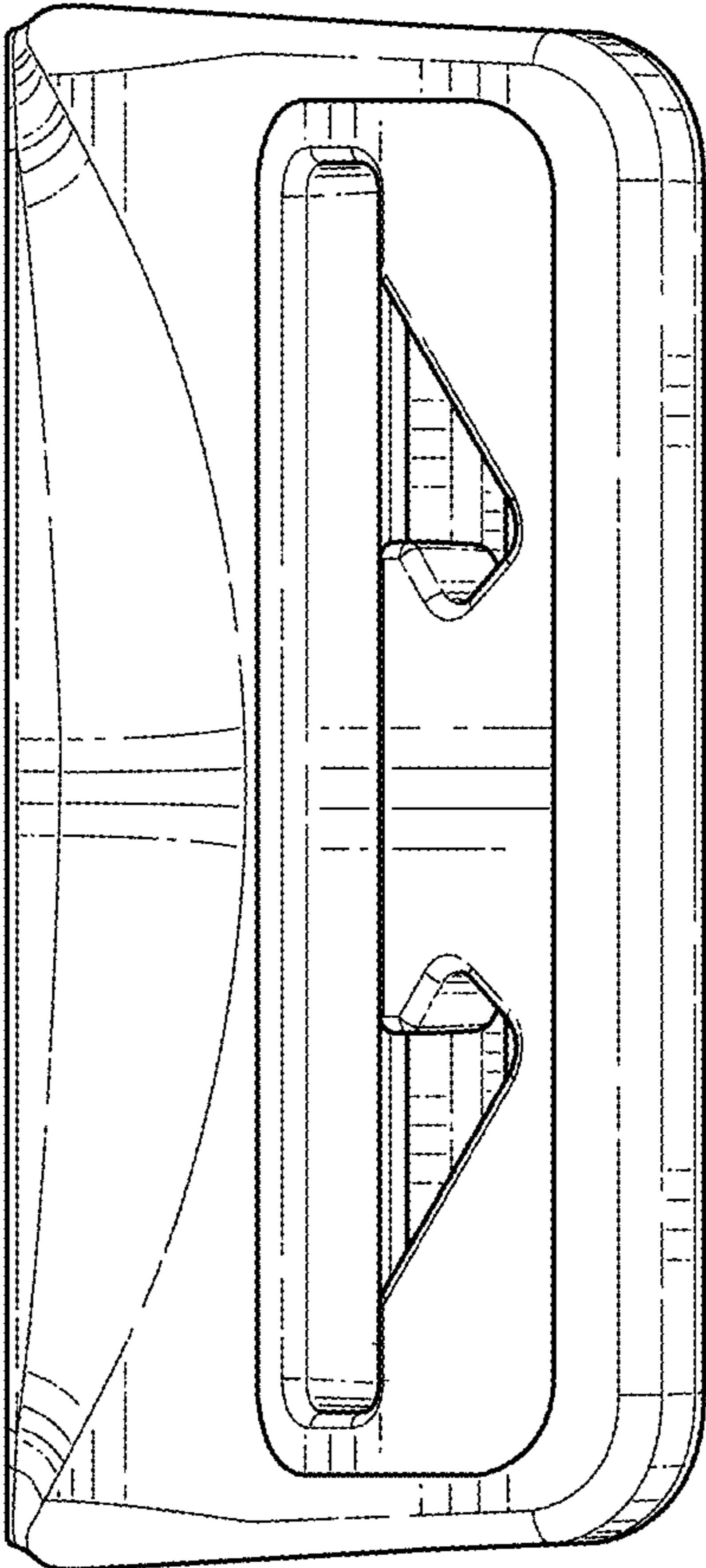


FIG. 28

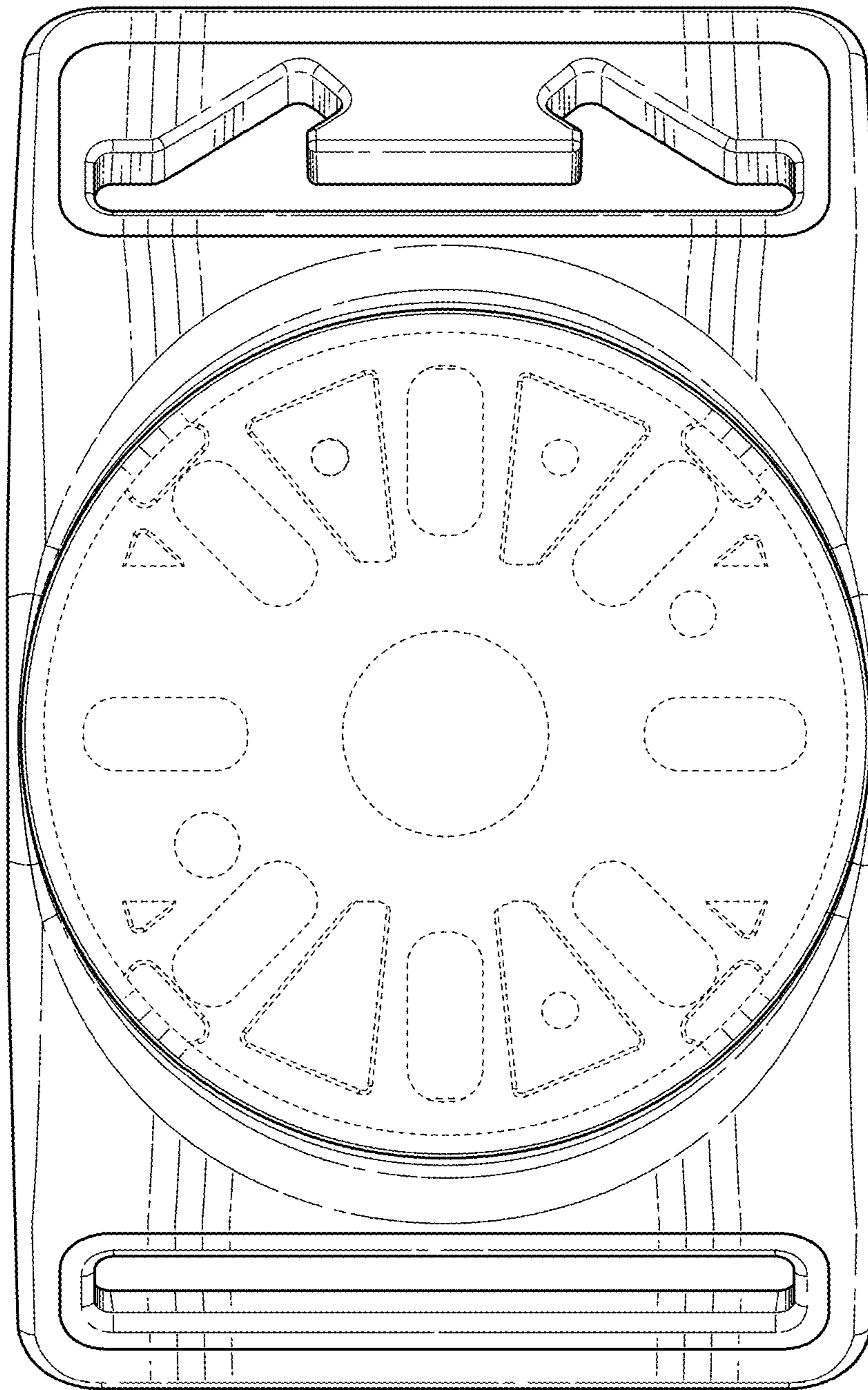


FIG. 29

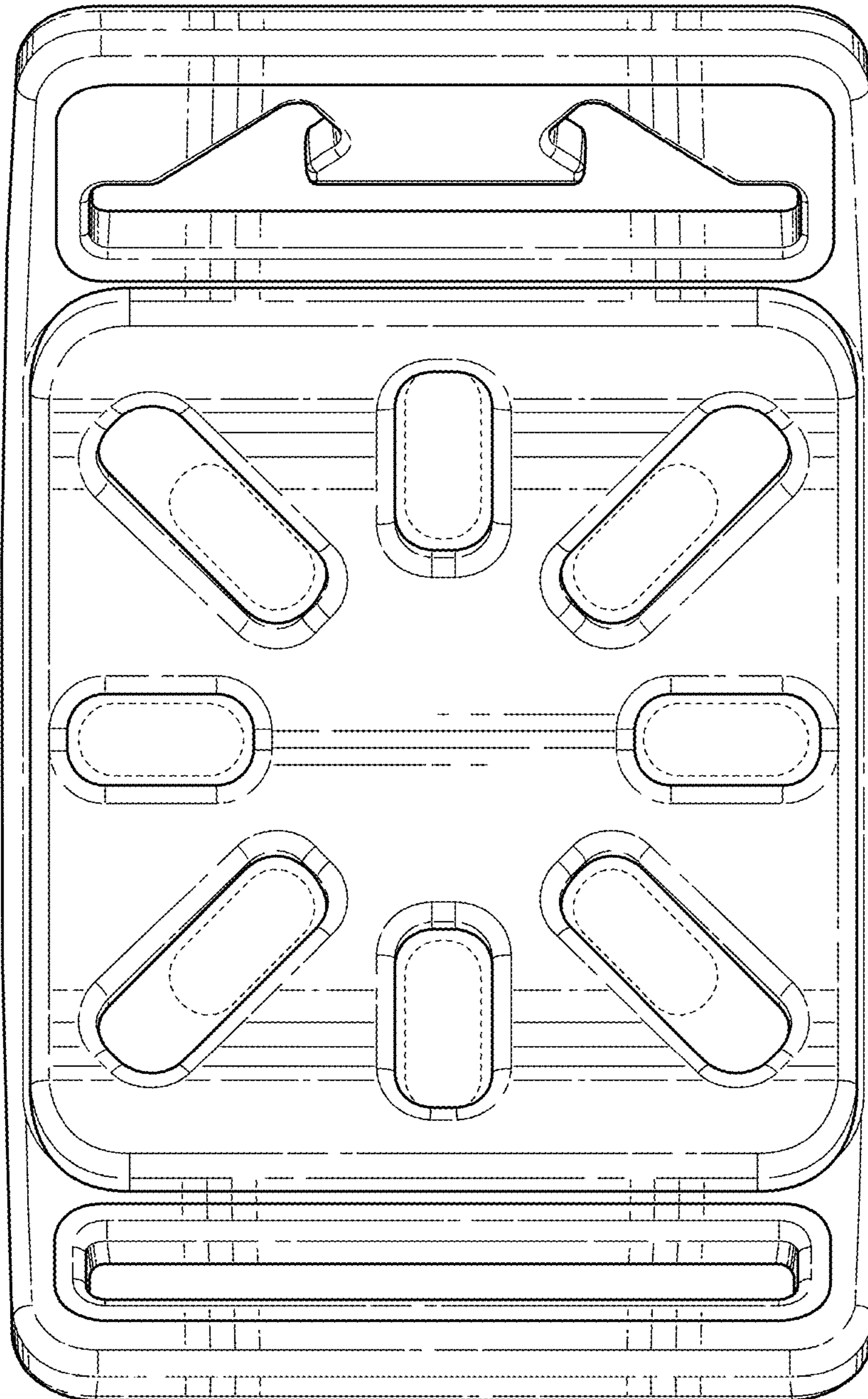


FIG. 30