



US00D773550S

(12) **United States Design Patent** (10) **Patent No.:** **US D773,550 S**  
**Seo et al.** (45) **Date of Patent:** **\*\* Dec. 6, 2016**

(54) **PROJECTOR**

D663,759 S \* 7/2012 Cho ..... D16/230  
D711,453 S \* 8/2014 Fujii ..... D16/225  
D757,840 S \* 5/2016 Sakamoto ..... D16/225

(71) Applicant: **LG ELECTRONICS INC.**, Seoul (KR)

FOREIGN PATENT DOCUMENTS

(72) Inventors: **Minji Seo**, Seoul (KR); **Yoonkyeong Lee**, Seoul (KR); **Sangik Lee**, Seoul (KR); **Byungmu Huh**, Seoul (KR)

CN 3479583 \* 10/2004  
CN 302232414 \* 7/2012  
KR 300809706.0000 \* 10/2014

(73) Assignee: **LG ELECTRONICS INC.**, Seoul (KR)

\* cited by examiner

(\*\*) Term: **15 Years**

*Primary Examiner* — Wan Laymon

(21) Appl. No.: **29/551,765**

(74) *Attorney, Agent, or Firm* — Birch, Stewart, Kolasch & Birch, LLP

(22) Filed: **Jan. 15, 2016**

(30) **Foreign Application Priority Data**

Jul. 20, 2015 (KR) ..... 30-2015-0036411

(51) **LOC (10) Cl.** ..... **16-02**

(52) **U.S. Cl.**  
USPC ..... **D16/235**

(58) **Field of Classification Search**  
USPC ..... D16/221, 225, 230–231, 234–235;  
D21/514

CPC .. G03B 21/00; G03B 21/001; G03B 21/003;  
G03B 21/14; G03B 21/145; G03B 21/16  
See application file for complete search history.

(56) **References Cited**

U.S. PATENT DOCUMENTS

D564,566 S \* 3/2008 Naruki ..... D16/225  
D600,266 S \* 9/2009 Nagase ..... D16/225

(57) **CLAIM**

The ornamental design for a projector, as shown and described.

**DESCRIPTION**

FIG. 1 is a front, right side, perspective view of a projector showing our new design;  
FIG. 2 is a front view thereof;  
FIG. 3 is a rear view thereof;  
FIG. 4 is a left side view thereof;  
FIG. 5 is a right side view thereof;  
FIG. 6 is a top view thereof; and,  
FIG. 7 is a bottom view thereof.  
The broken lines indicate unclaimed portion of the article that form no part of the claimed design.

**1 Claim, 3 Drawing Sheets**

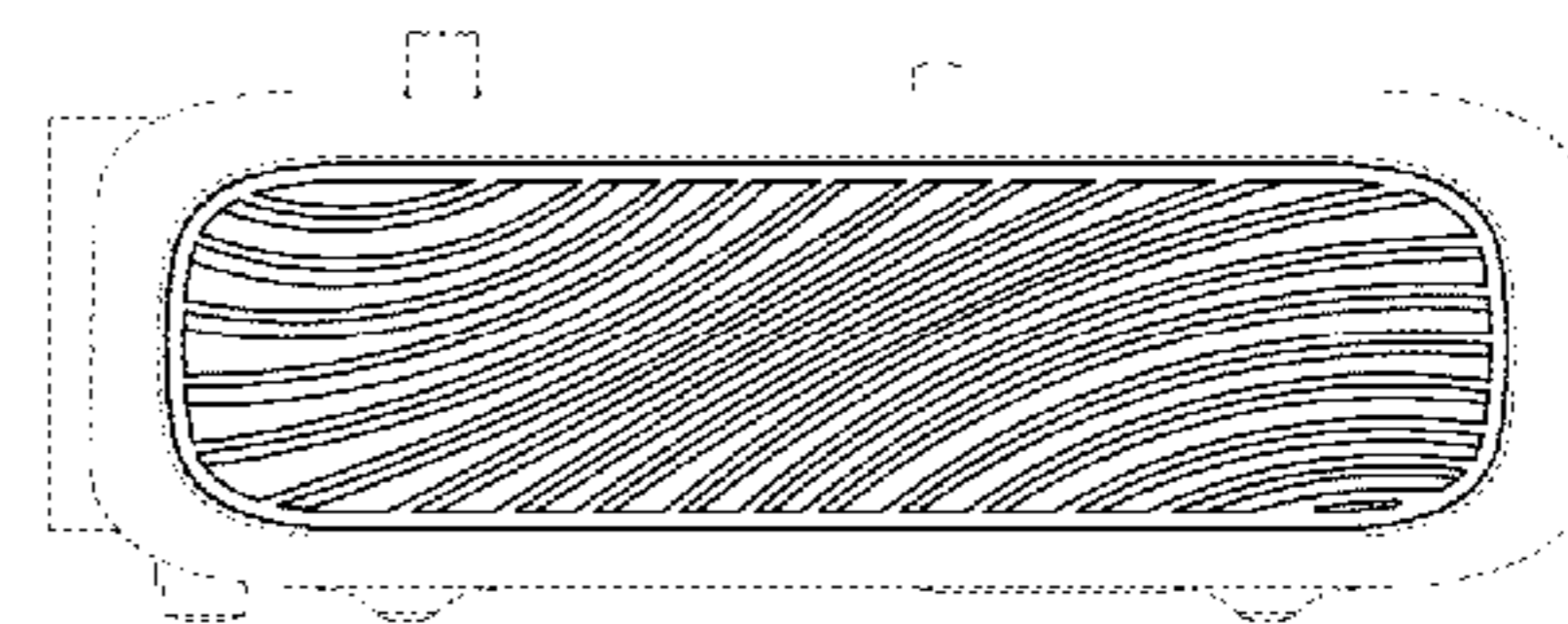
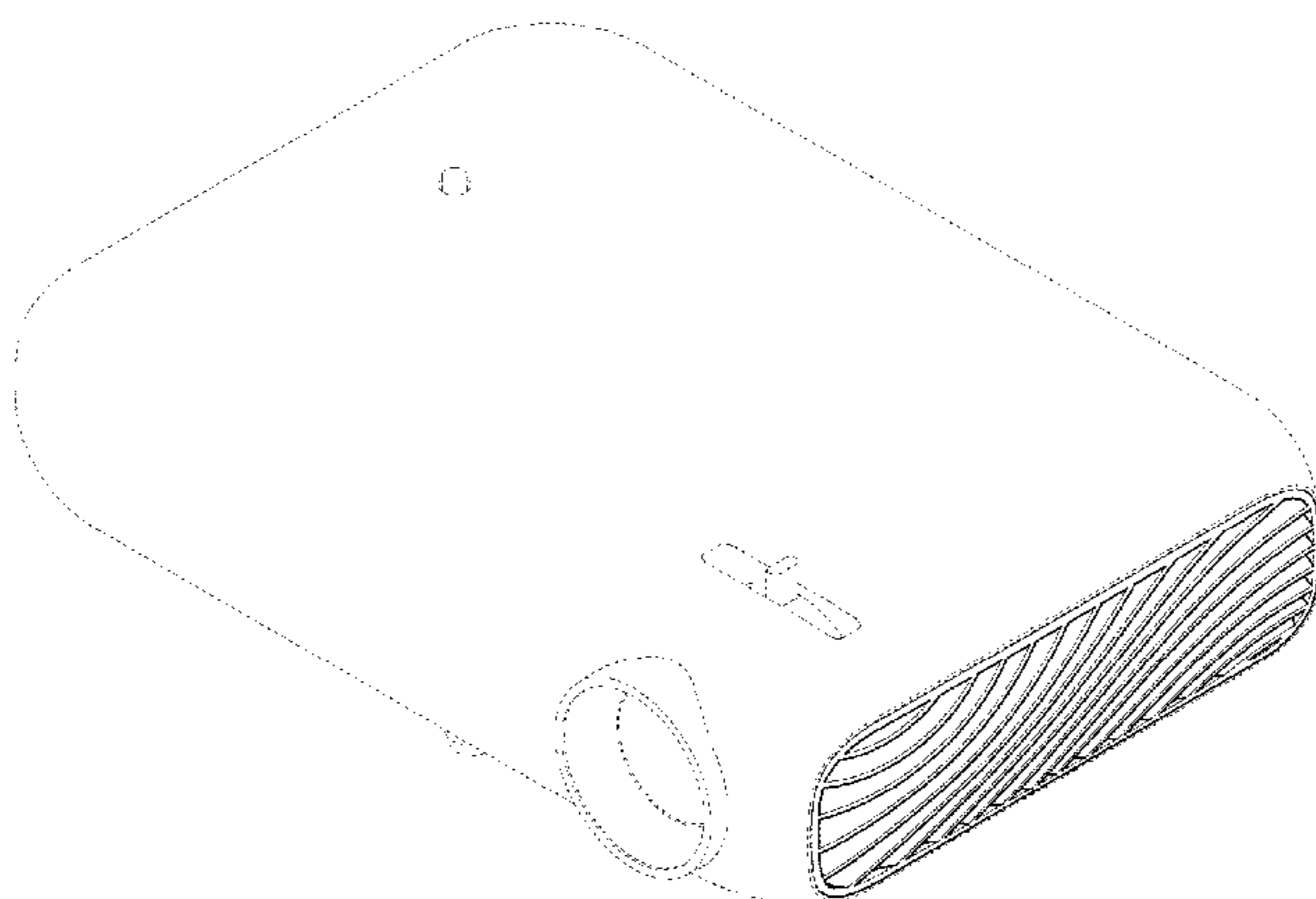


FIG. 1

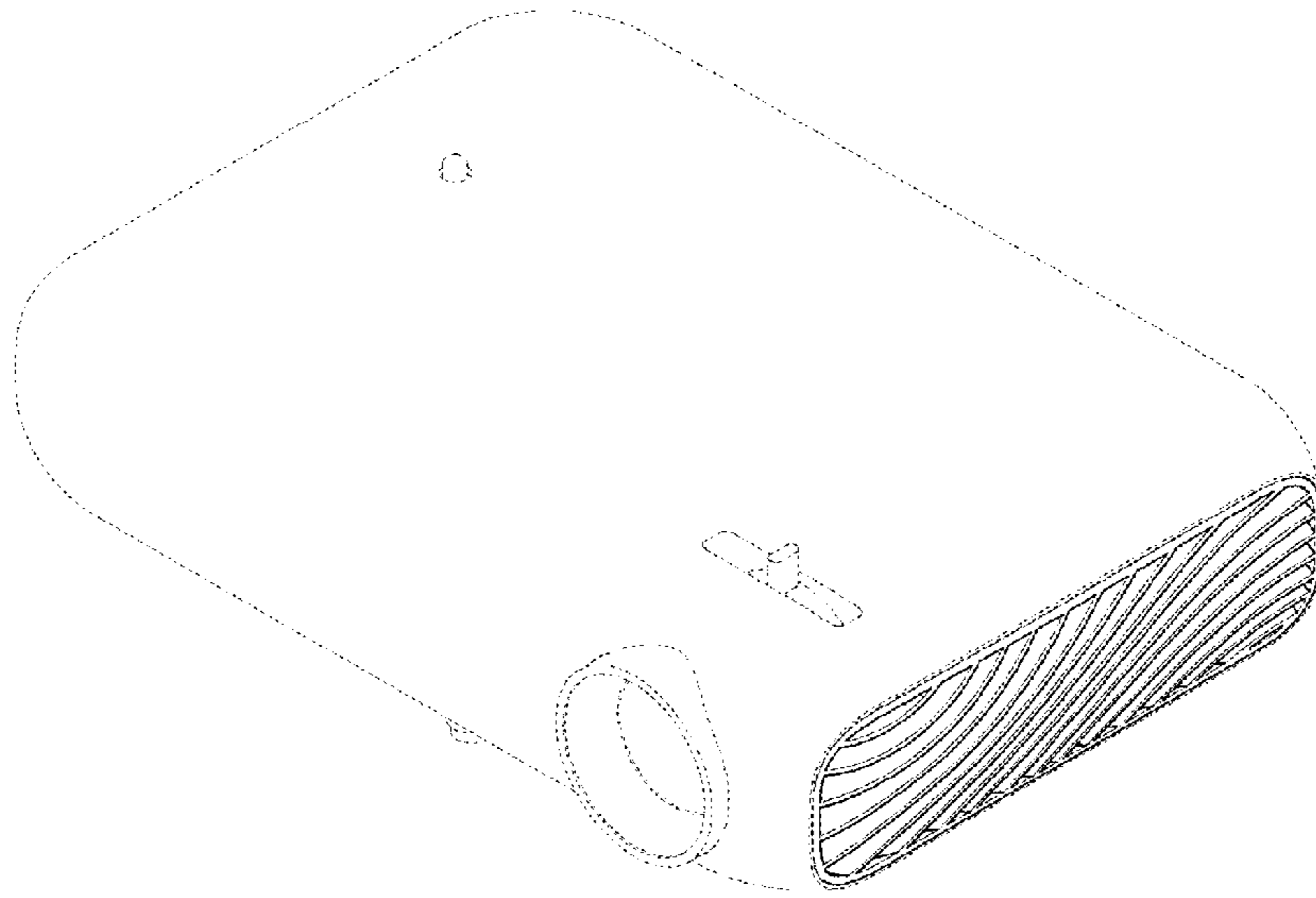


FIG. 2

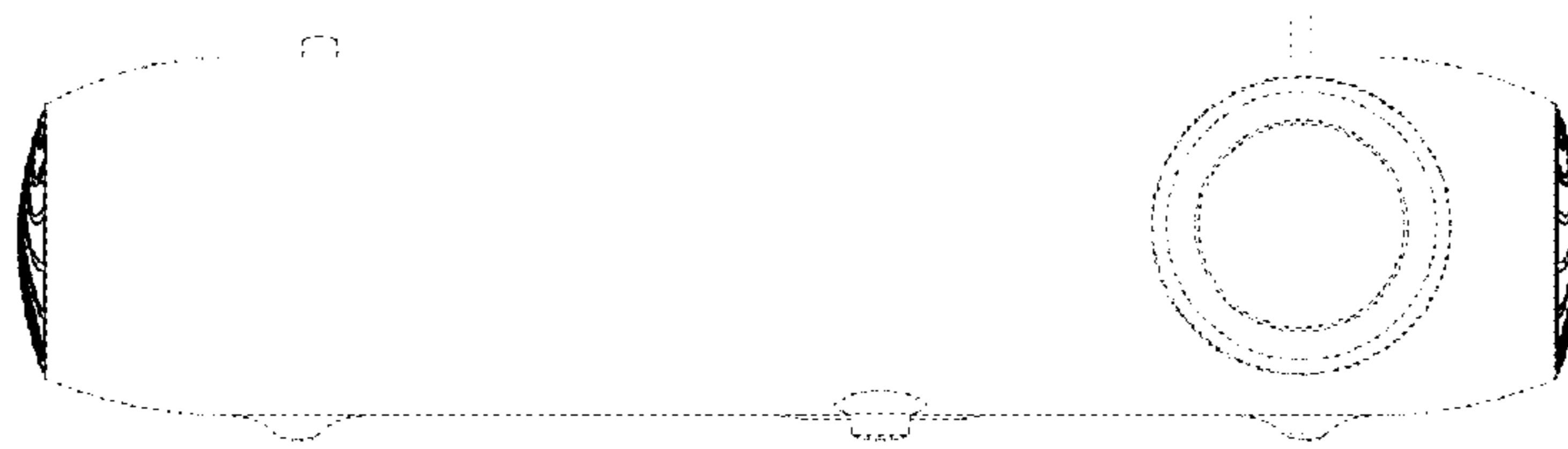


FIG. 3

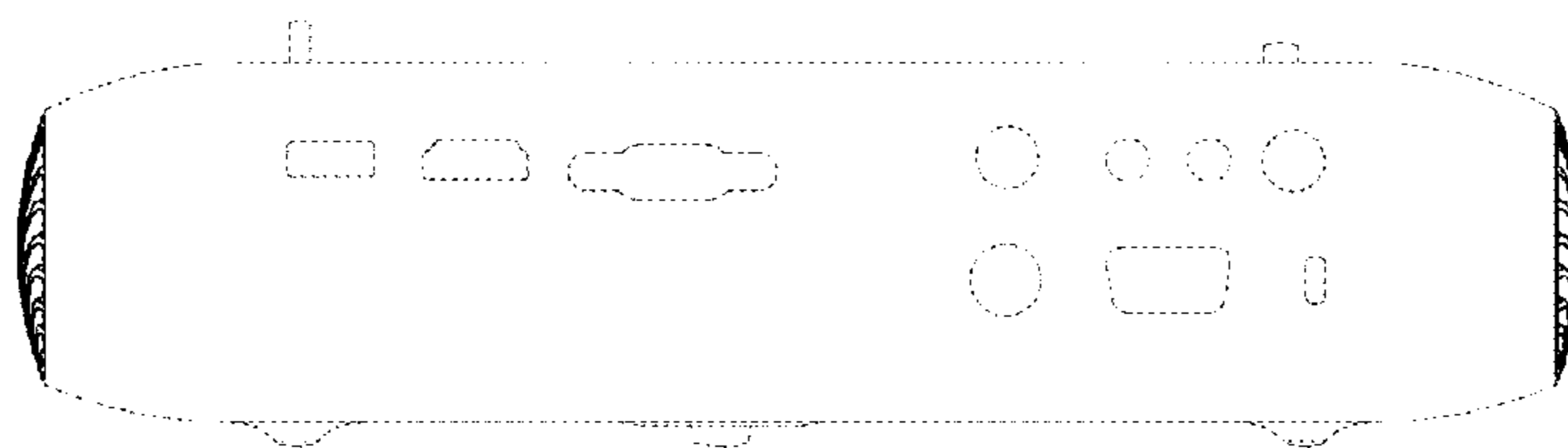


FIG. 4

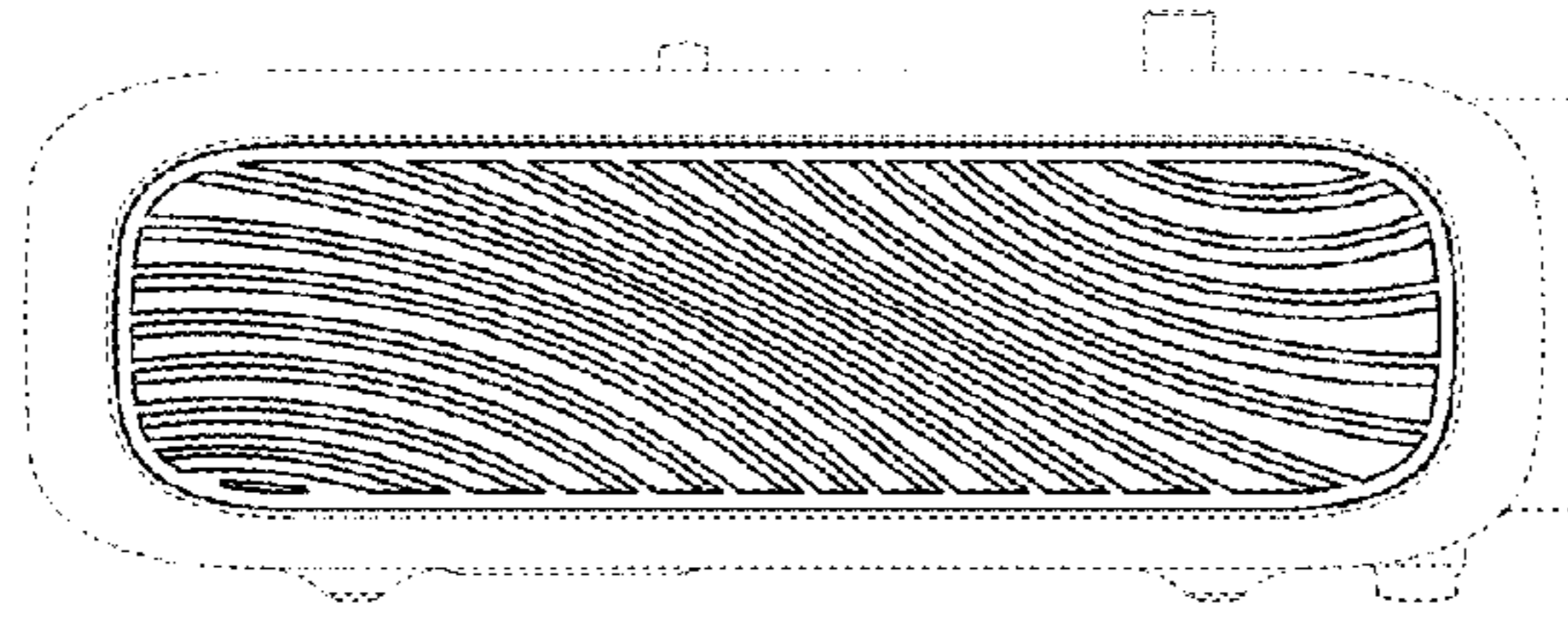


FIG. 5

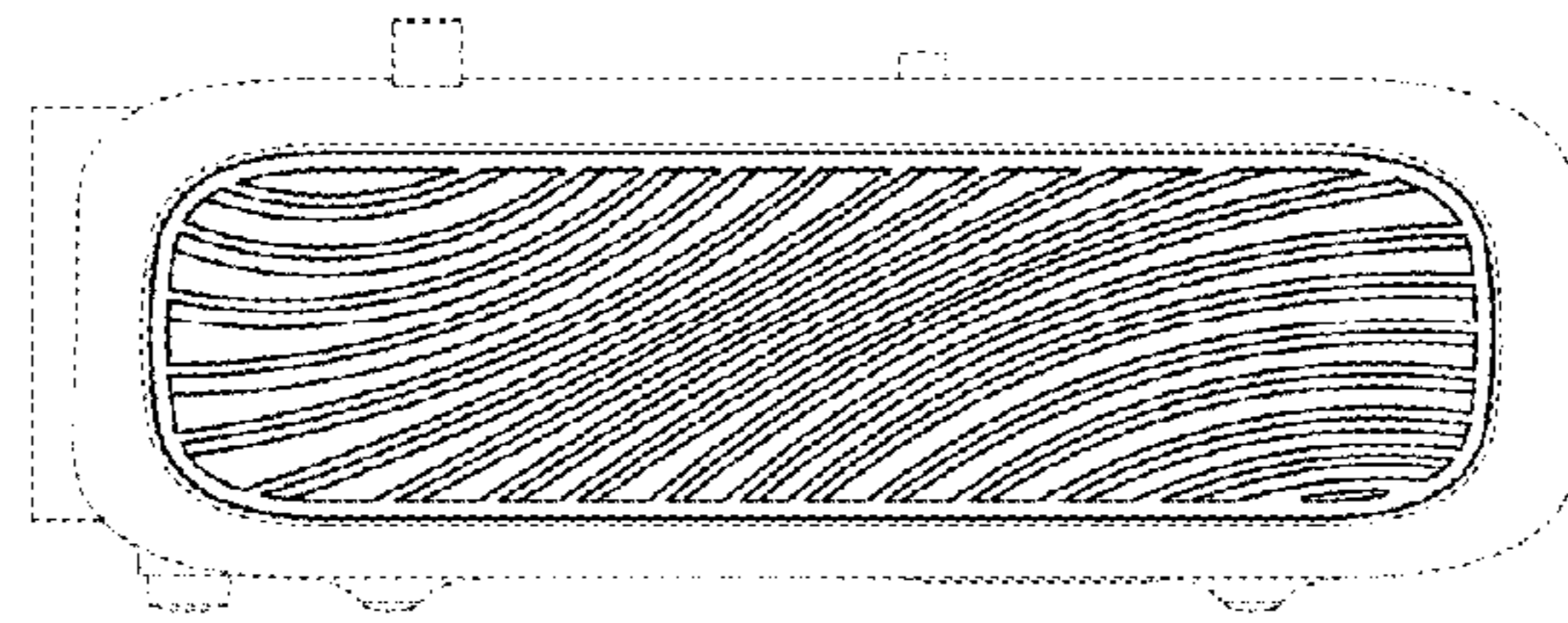


FIG. 6

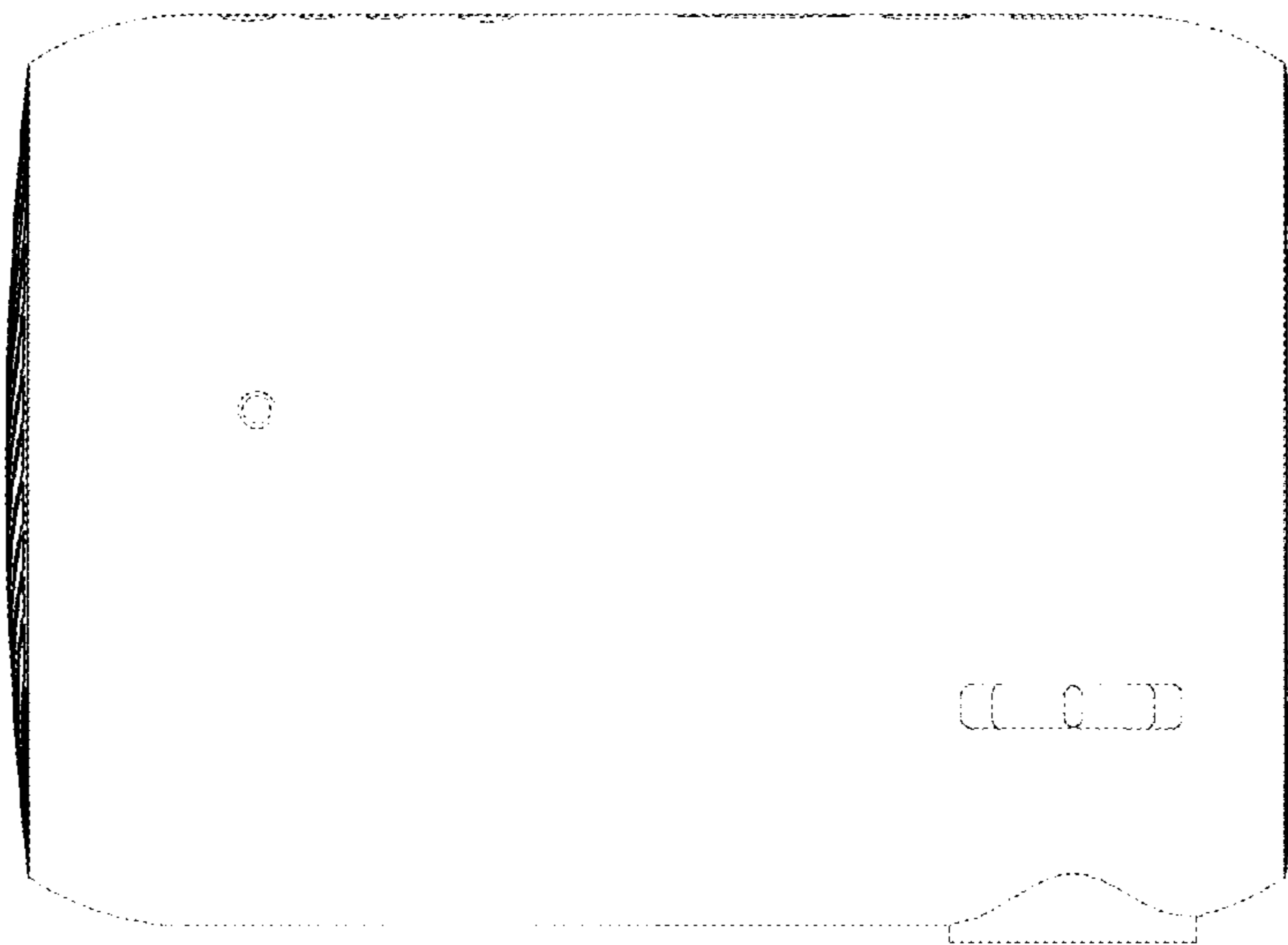


FIG. 7

