



US00D773549S

(12) **United States Design Patent**
Tompkin

(10) **Patent No.:** **US D773,549 S**

(45) **Date of Patent:** **** Dec. 6, 2016**

(54) **PLANETARIUM PROJECTOR**

(71) Applicant: **MerchSource, LLC**, Irvine, CA (US)

(72) Inventor: **Crispian Tompkin**, El Segundo, CA (US)

(73) Assignee: **MerchSource, LLC**, Irvine, CA (US)

(**) Term: **15 Years**

(21) Appl. No.: **29/544,975**

(22) Filed: **Nov. 9, 2015**

(51) **LOC (10) Cl.** **16-02**

(52) **U.S. Cl.**

USPC **D16/229**; D16/225

(58) **Field of Classification Search**

USPC D16/221, 225, 227, 229–231, 234;
D21/514; D13/184; D10/62, 65–66, 69

CPC G03B 21/00; G03B 21/001; G03B 21/003;
G03B 21/14; G03B 21/142; G03B 21/145;
G01C 15/00; G01C 15/002; G01C 15/004;
G09B 27/00; G09B 27/02; H04N 1/00562

See application file for complete search history.

(56) **References Cited**

U.S. PATENT DOCUMENTS

D150,914 S *	9/1948	Wolfer et al.	D16/221
3,813,156 A	5/1974	Davis	
3,863,363 A *	2/1975	Miyajima	G09B 27/02 434/286
4,166,401 A	9/1979	Bohme et al.	
4,497,582 A	2/1985	Lipman et al.	
4,588,384 A	5/1986	Shiba	
4,756,614 A	7/1988	Kato et al.	
6,195,901 B1 *	3/2001	Falb	G01C 15/004 33/286

6,718,643 B2 *	4/2004	Tamamura	G01C 15/004 33/281
D489,390 S *	5/2004	Ohshima	D16/225
D542,827 S *	5/2007	Ebihara	D16/221

(Continued)

OTHER PUBLICATIONS

Red Night Planetarium Projector. [Retrieved on Aug. 17, 2016]. Retrieved from the Internet: <URL: www.google.com/images>.*

(Continued)

Primary Examiner — Wan Laymon

(74) *Attorney, Agent, or Firm* — Avvno Law P.C.

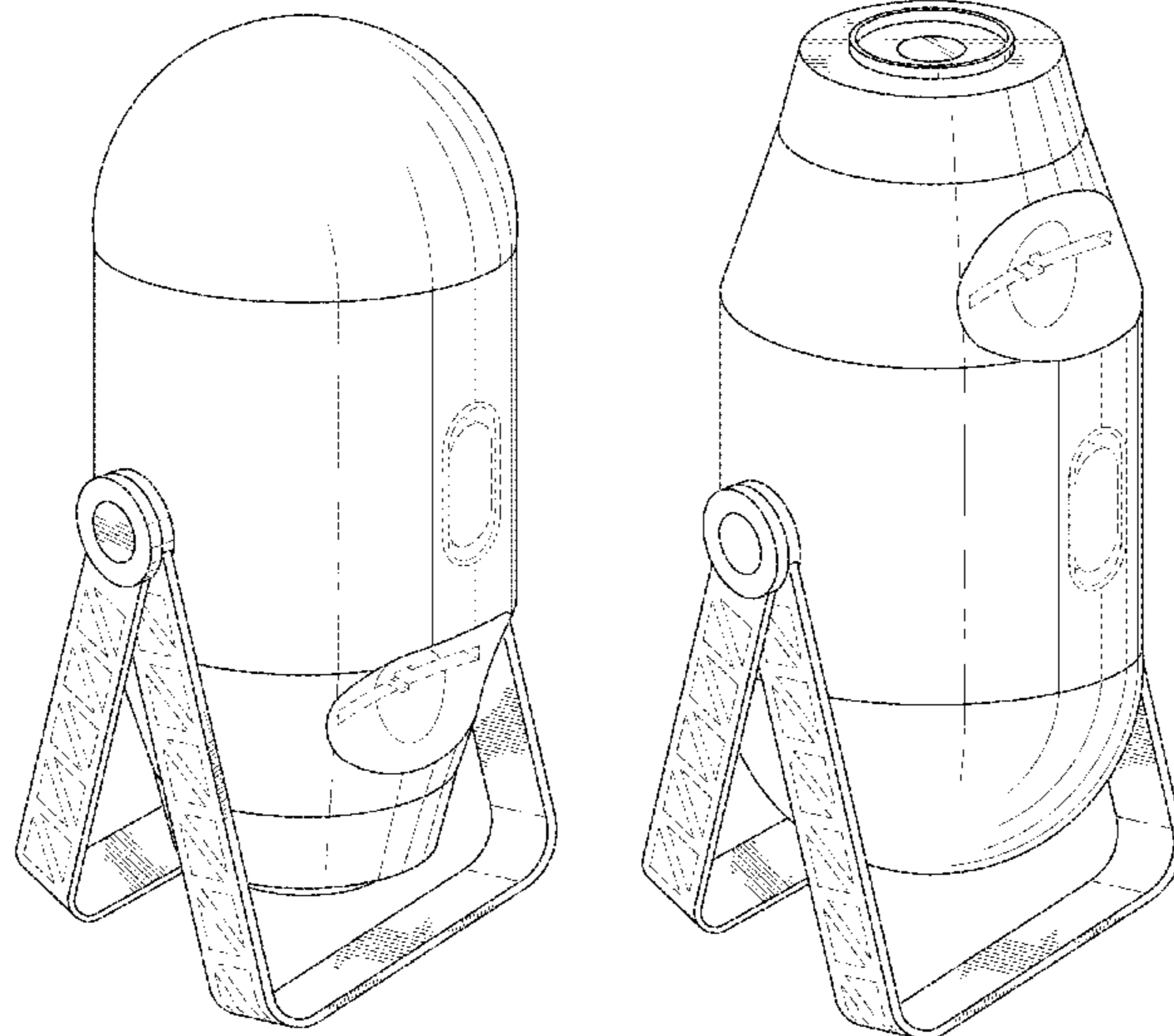
(57) **CLAIM**

I claim the ornamental design for a planetarium projector, as shown and described.

DESCRIPTION

FIG. 1 is a perspective view of a planetarium projector. FIG. 2 is a front view of the planetarium projector of FIG. 1. FIG. 3 is a rear view of the planetarium projector of FIG. 1. FIG. 4 is a side view of the right side of the planetarium projector of FIG. 1. FIG. 5 is a side view of the left side of the planetarium projector of FIG. 1. FIG. 6 is a top view of the planetarium projector of FIG. 1. FIG. 7 is a bottom view of the planetarium projector of FIG. 1. FIG. 8 is a perspective view of a planetarium projector illustrated in FIG. 1 with the projector fully rotated from the position illustrated in FIG. 1; and, FIG. 9 is a front view of a planetarium projector illustrated in FIG. 2 with the projector fully rotated from the position illustrated in FIG. 2. The broken lines shown in the figures represent portions of the planetarium projector that form no part of the claimed design.

1 Claim, 8 Drawing Sheets



(56)

References Cited

U.S. PATENT DOCUMENTS

D557,725 S * 12/2007 Ebihara D16/221

OTHER PUBLICATIONS

Discovery Kids 2-in-1 Stars & Planet Space Projector. [Retrieved on Aug. 17, 2016]. Retrieved from the Internet: <URL: www.google.com/images.*

<http://www.overstock.com/Sports-Toys/Smithsonian-Room-Planetarium-Projector-Educational-Toy-Set/6023570/product.html>; printed from website Feb. 5, 2016; 1 page.

* cited by examiner

FIG. 1

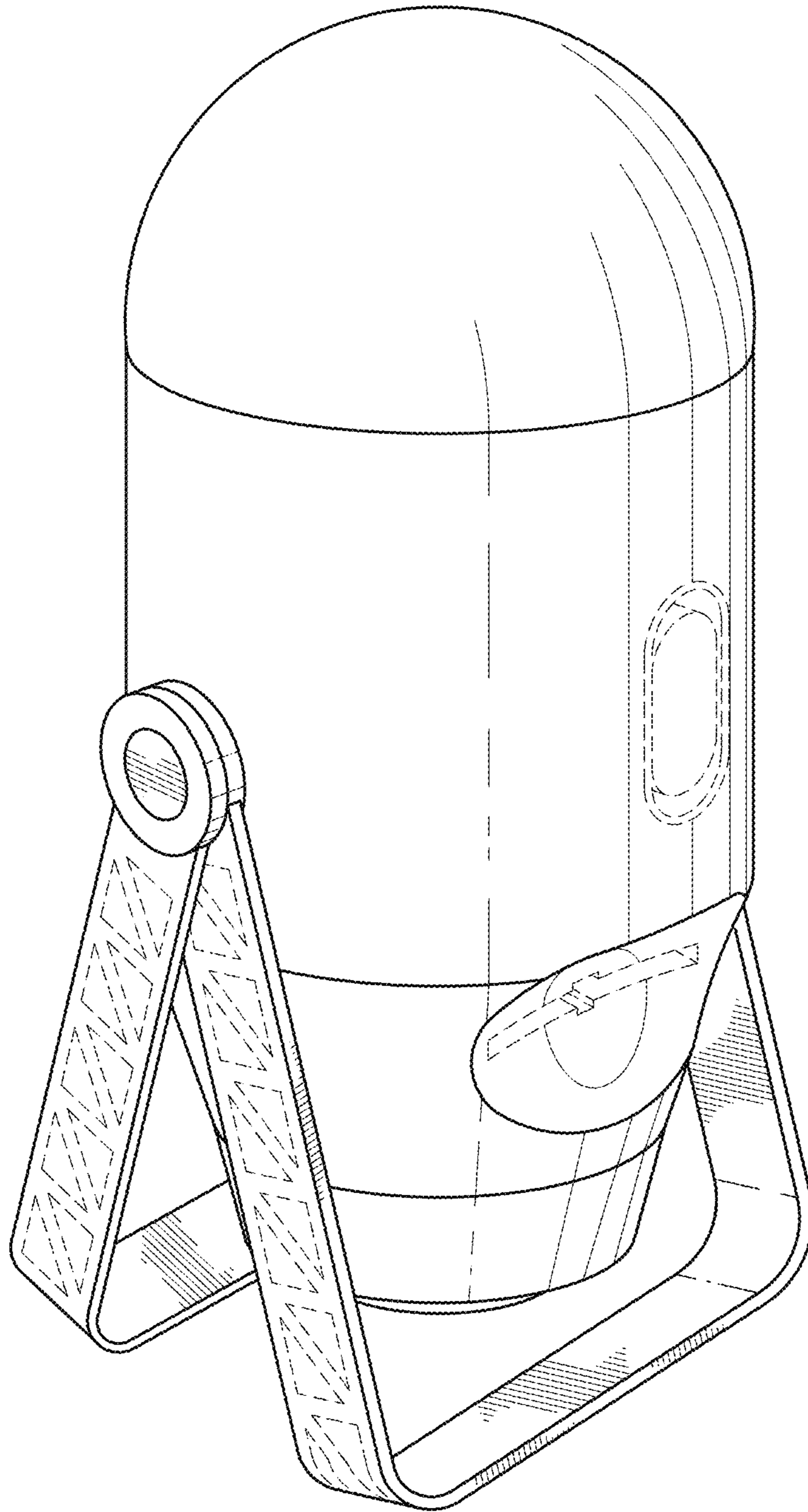


FIG. 2

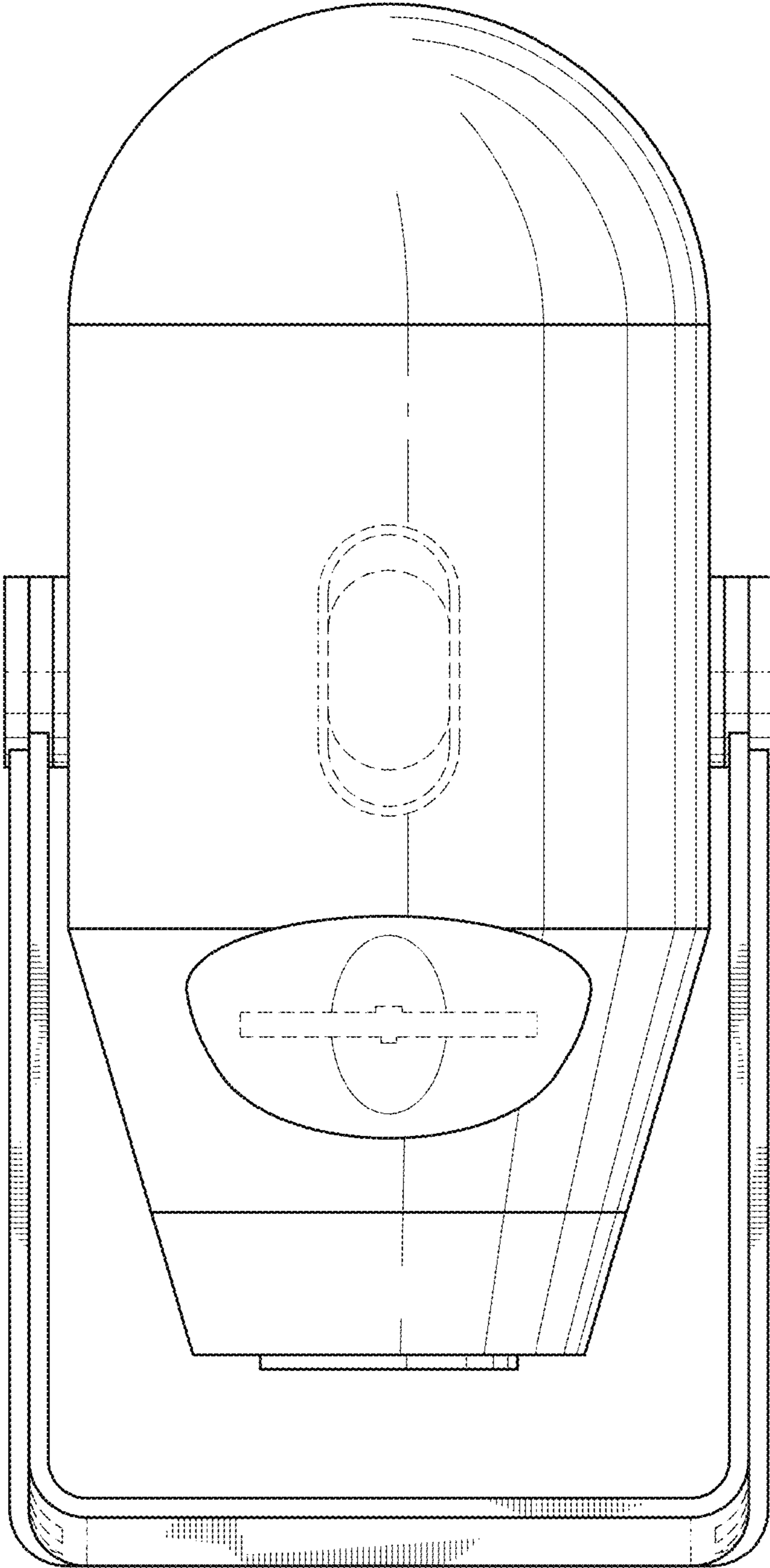


FIG. 3

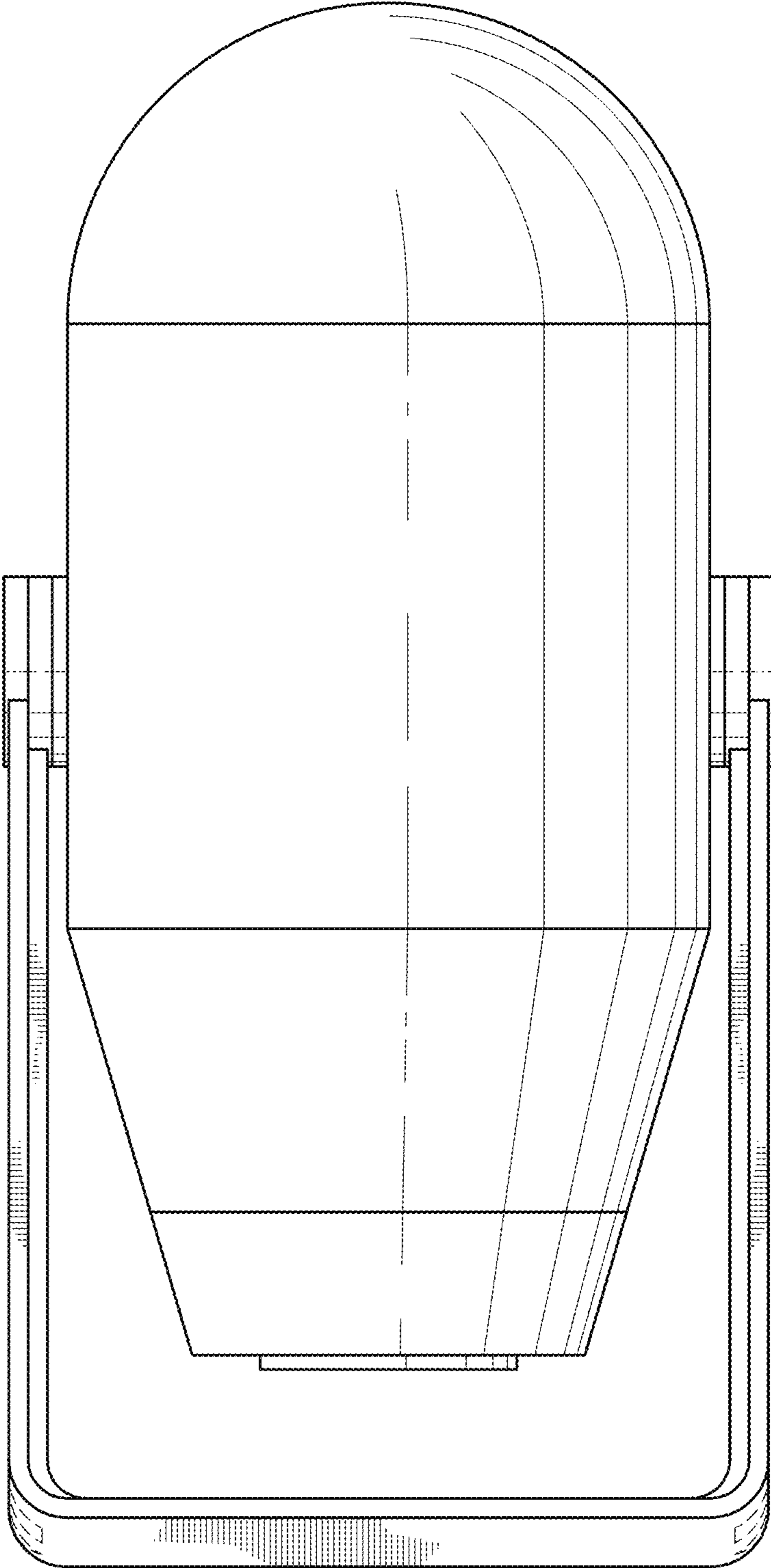


FIG. 4

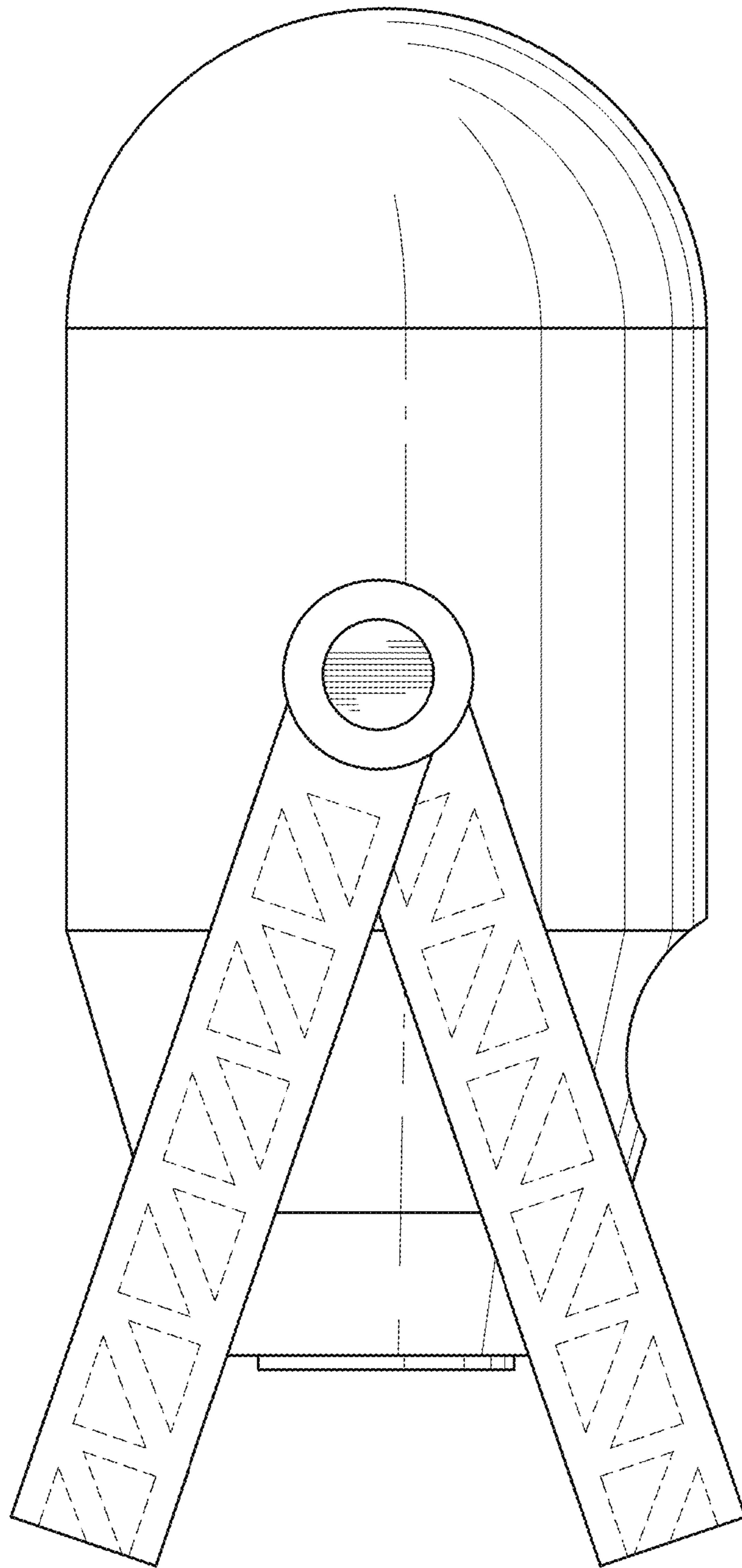


FIG. 5

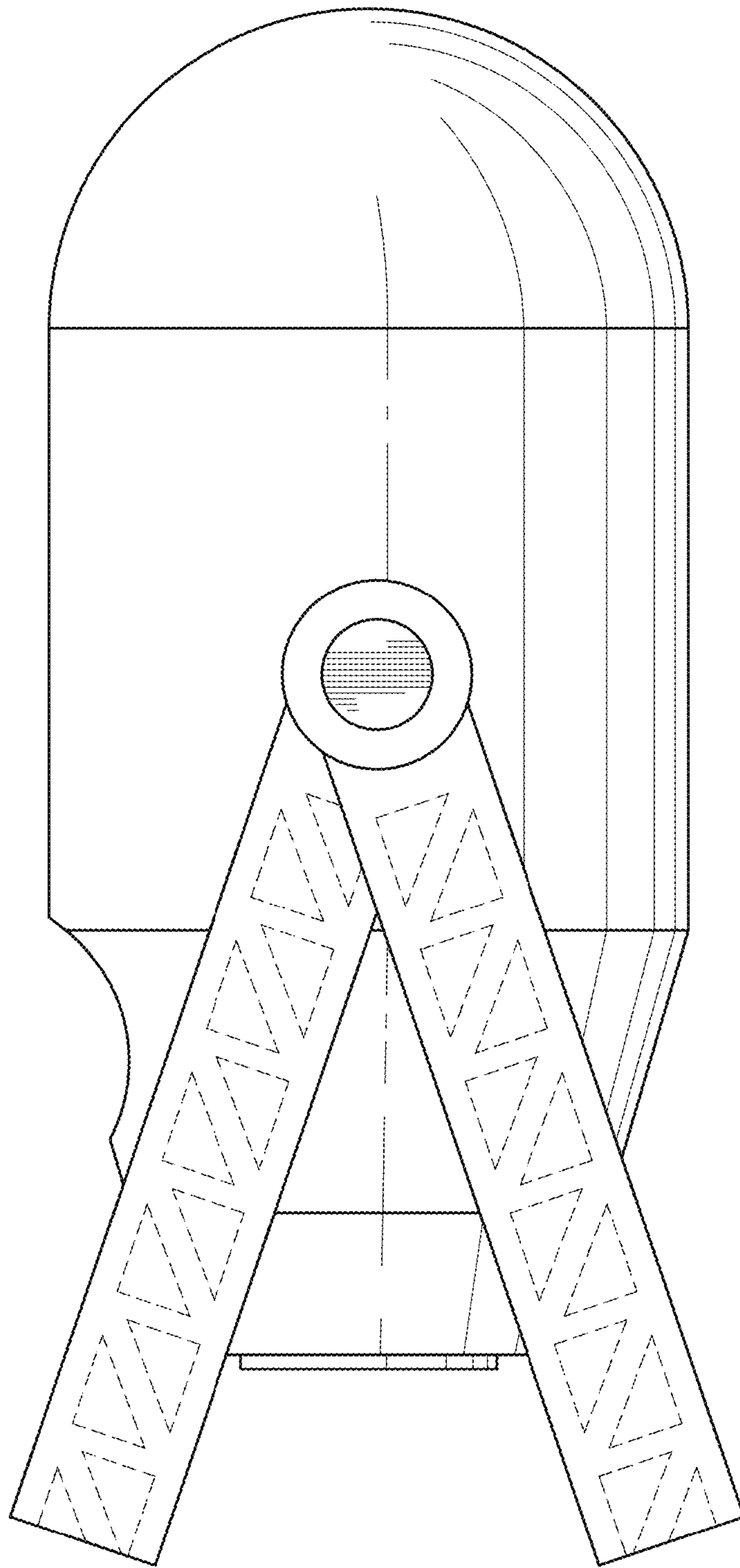


FIG. 6

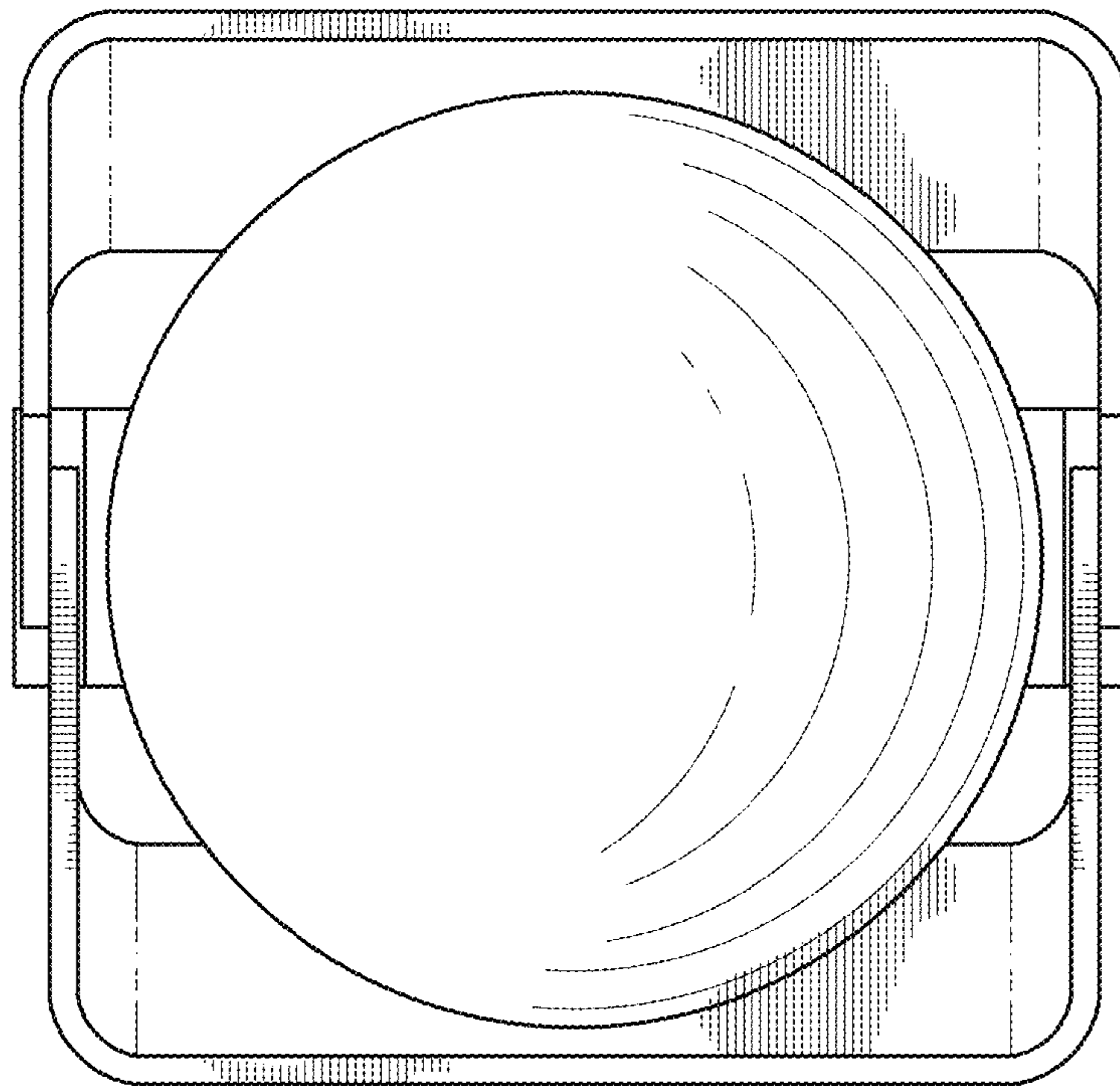


FIG. 7

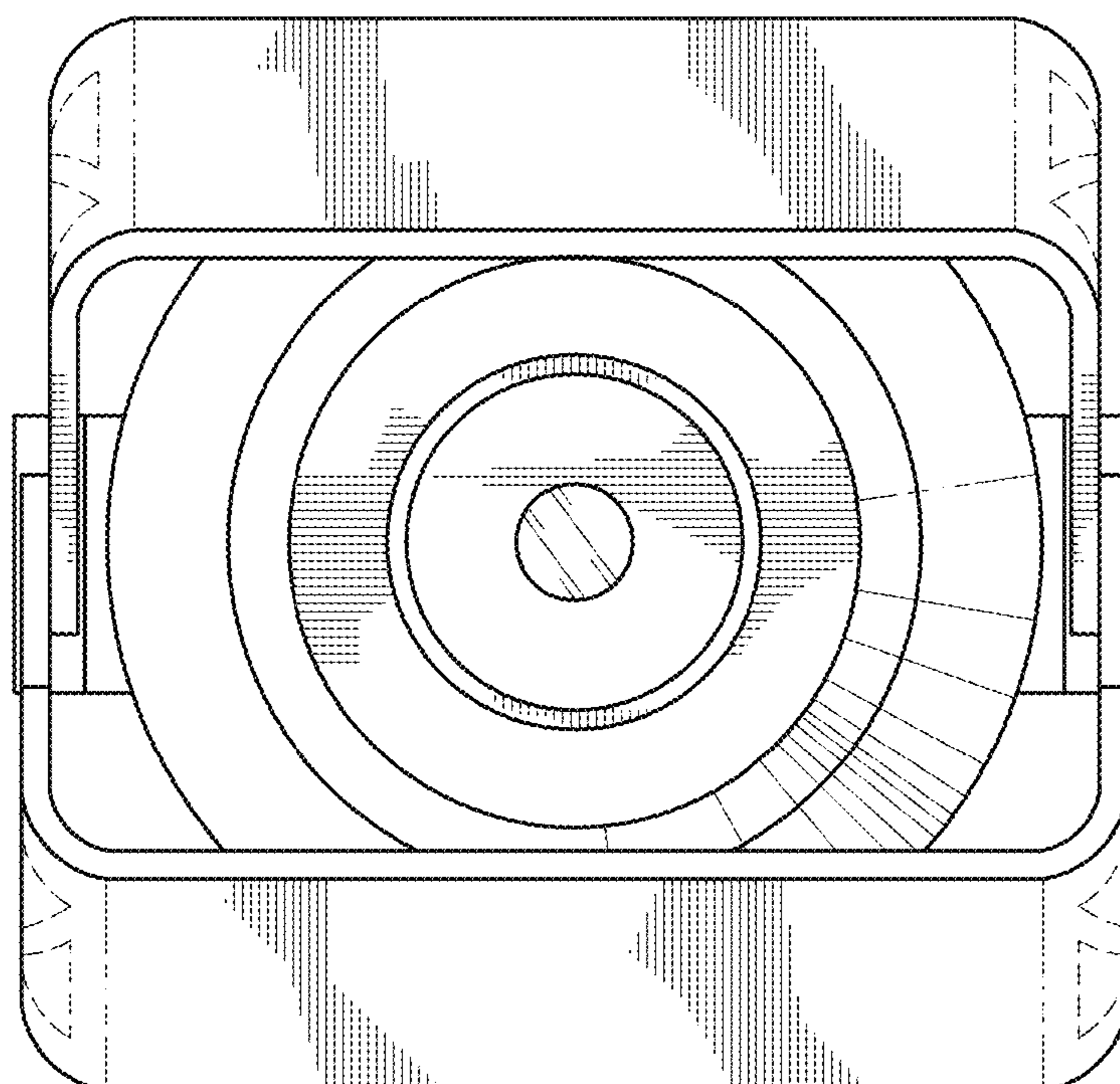


FIG. 8

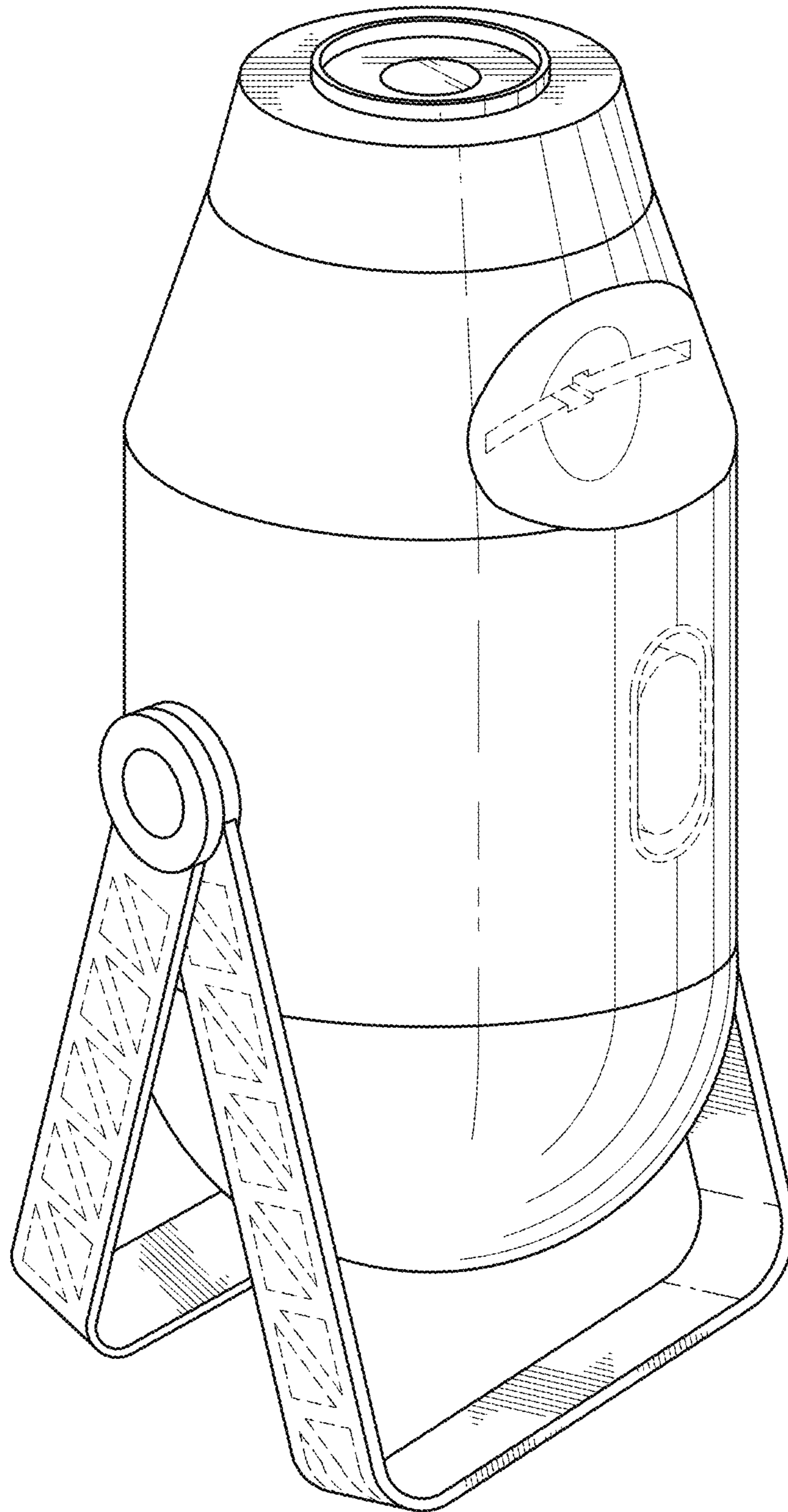


FIG. 9

