



US00D773548S

(12) **United States Design Patent**
Huang

(10) **Patent No.:** **US D773,548 S**

(45) **Date of Patent:** **** Dec. 6, 2016**

(54) **PROJECTOR**

(71) Applicant: **MerchSource, LLC**, Irvine, CA (US)

(72) Inventor: **David Huang**, Torrance, CA (US)

(73) Assignee: **MerchSource, LLC**, Irvine, CA (US)

(**) Term: **15 Years**

(21) Appl. No.: **29/544,080**

(22) Filed: **Oct. 30, 2015**

(51) **LOC (10) Cl.** **16-02**

(52) **U.S. Cl.**

USPC **D16/228; D16/225**

(58) **Field of Classification Search**

USPC D16/221, 225, 228-234; D14/423; D21/514

CPC G03B 21/00; G03B 21/001; G03B 21/003;

G03B 21/10; G03B 21/12; G03B 21/132;

G03B 21/14; G03B 21/145

See application file for complete search history.

(56) **References Cited**

U.S. PATENT DOCUMENTS

D302,683 S * 8/1989 Iwasaki D14/423

D330,040 S * 10/1992 Watanabe D16/232

D436,612 S * 1/2001 Geng D16/232

6,604,829 B2 * 8/2003 Rodriguez, Jr. G03B 21/10

348/E5.137

D498,782 S * 11/2004 Ooshima D16/229

D518,081 S * 3/2006 Peard D16/225

* cited by examiner

Primary Examiner — Wan Laymon

(74) *Attorney, Agent, or Firm* — Avyno Law P.C.

(57) **CLAIM**

I claim the ornamental design for a projector, as shown and described.

DESCRIPTION

FIG. 1 is a perspective view of a projector.

FIG. 2 is a side view of the right side of the projector of FIG.

1.

FIG. 3 is a side view of the left side of the projector of FIG.

1.

FIG. 4 is a front view of the projector of FIG. 1.

FIG. 5 is a rear view of the projector of FIG. 1.

FIG. 6 is a top view of the projector of FIG. 1; and,

FIG. 7 is a bottom view of the projector of FIG. 1.

The dashed lines in various figures are for illustrative purposes only and form no part of the claimed design.

1 Claim, 6 Drawing Sheets

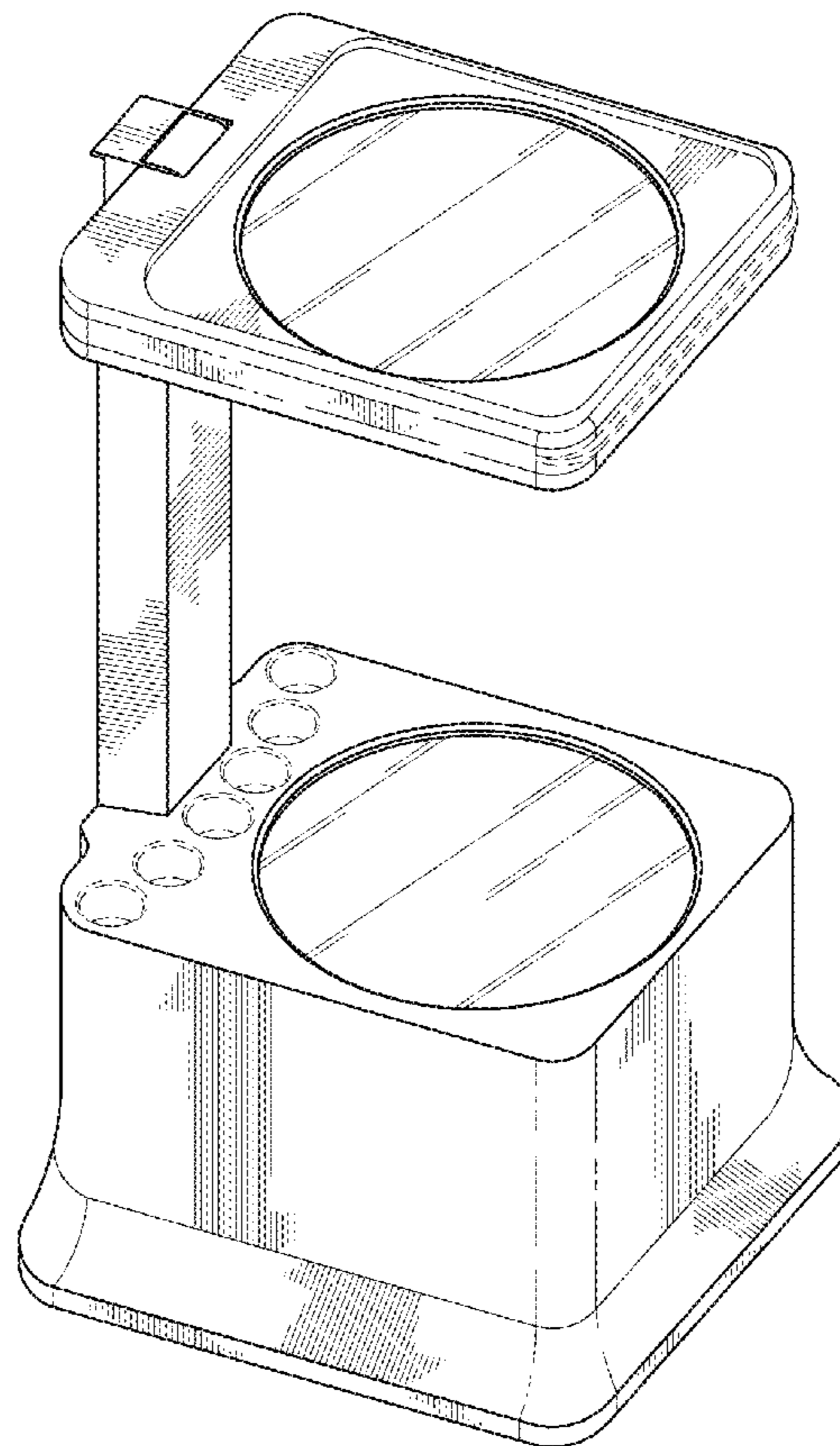
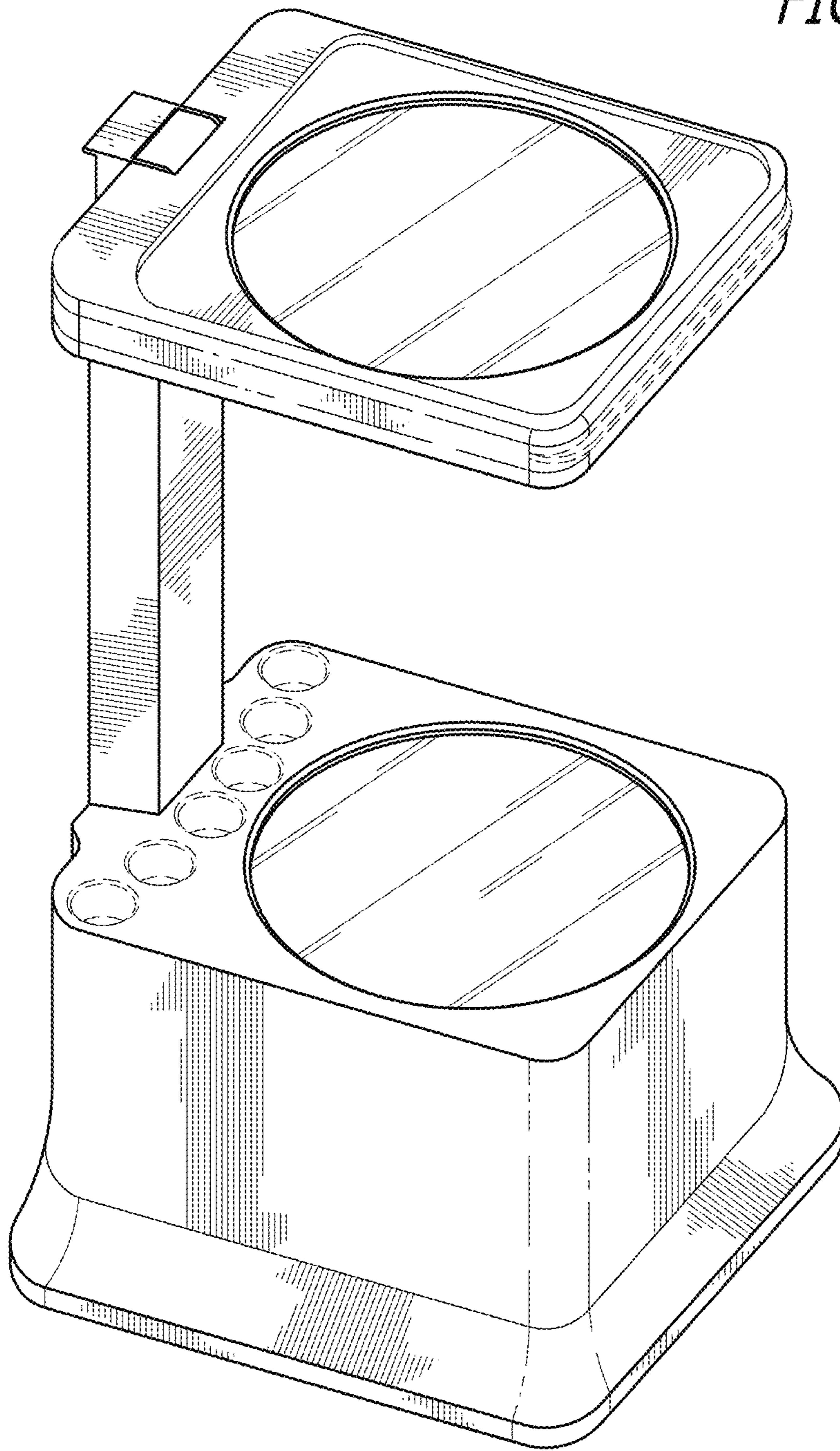


FIG. 1



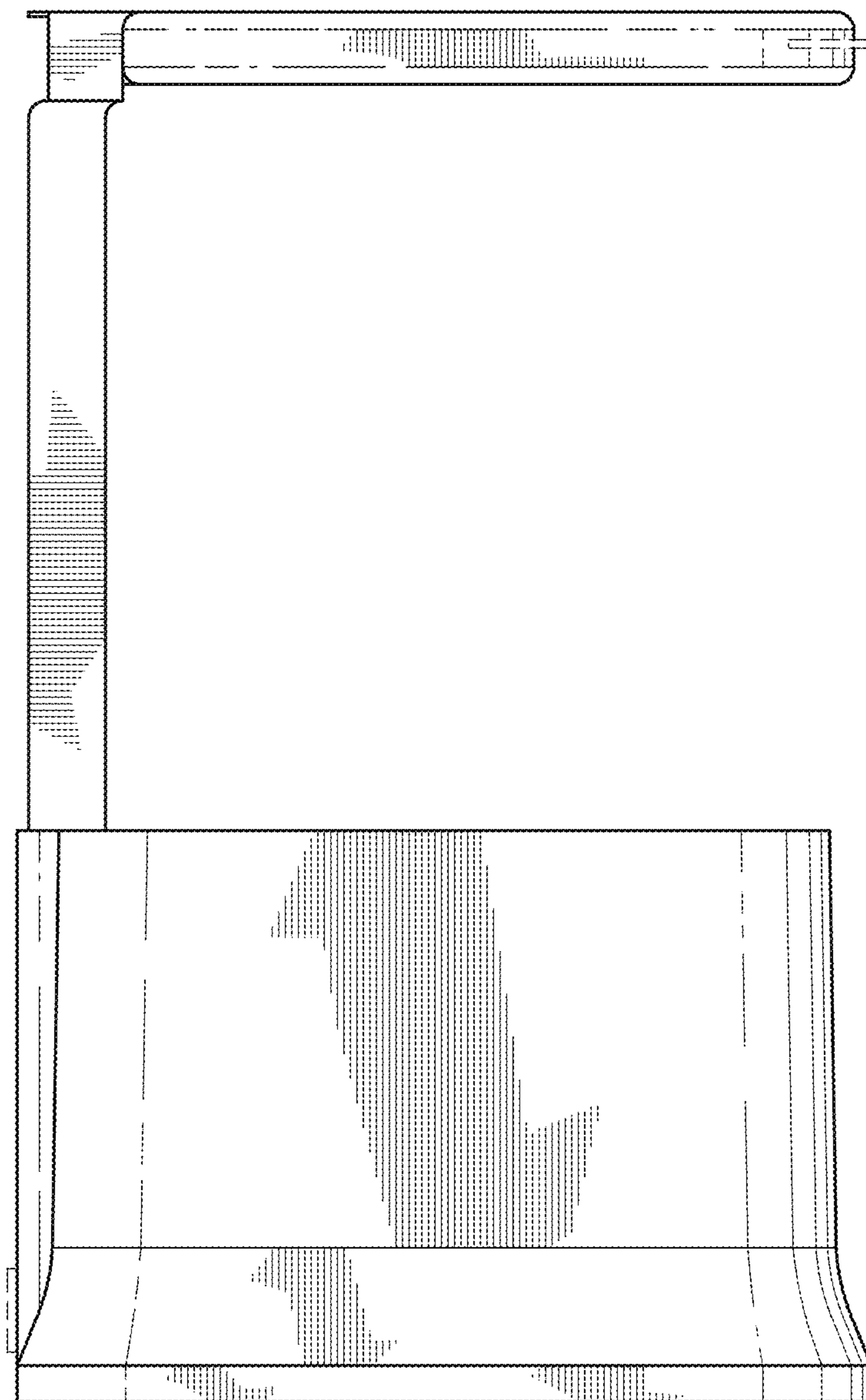


FIG. 2

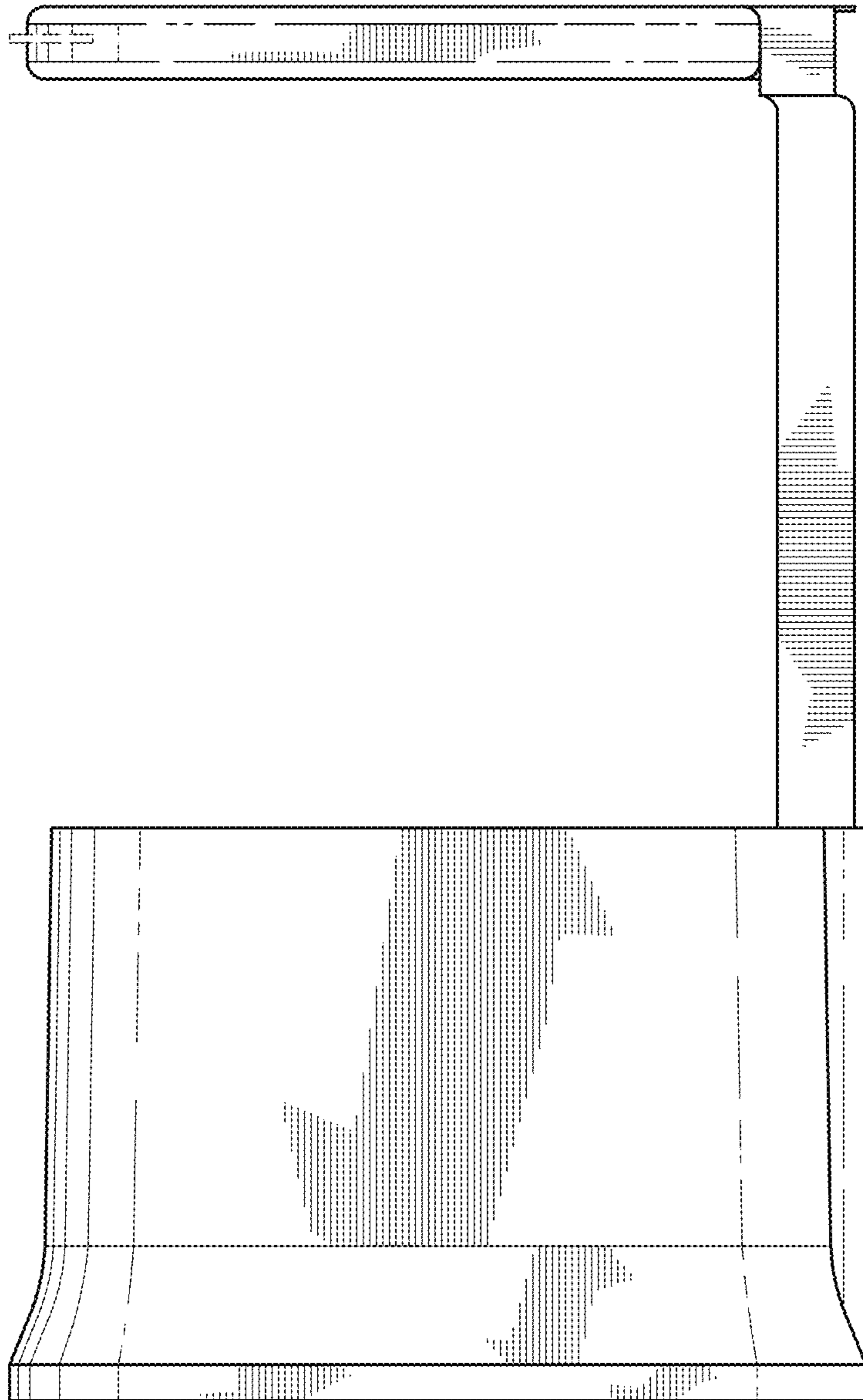


FIG. 3

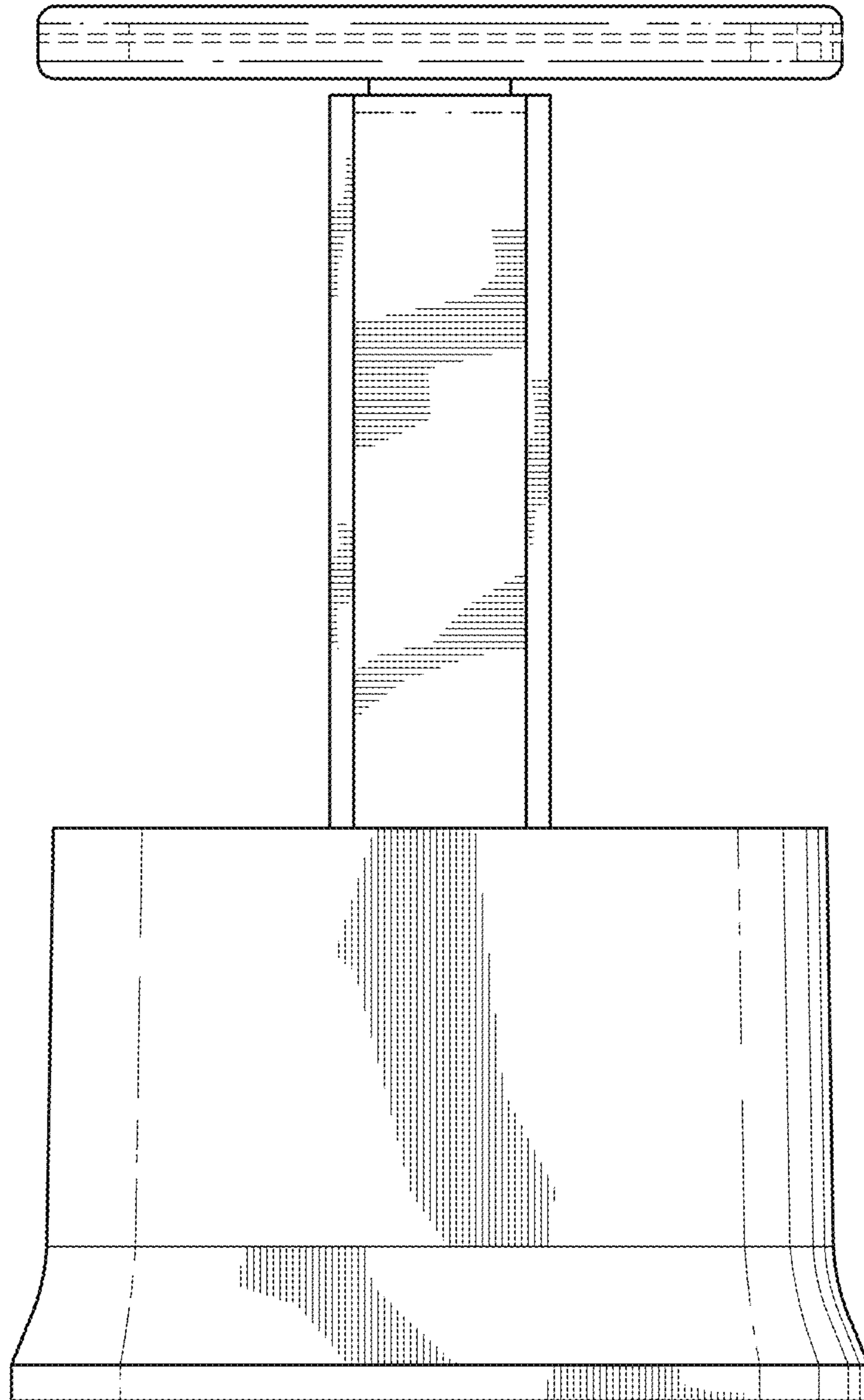


FIG. 4

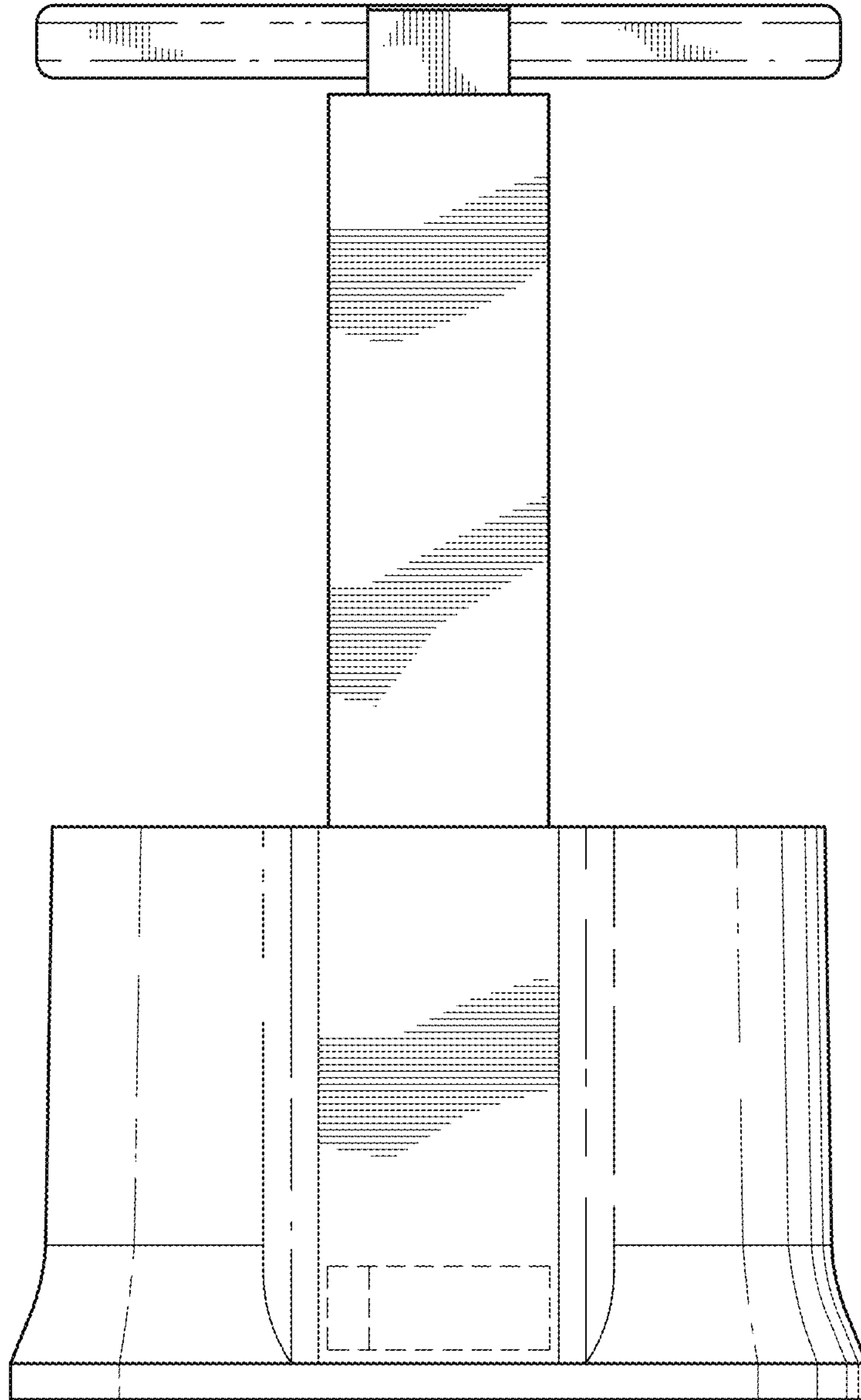


FIG. 5

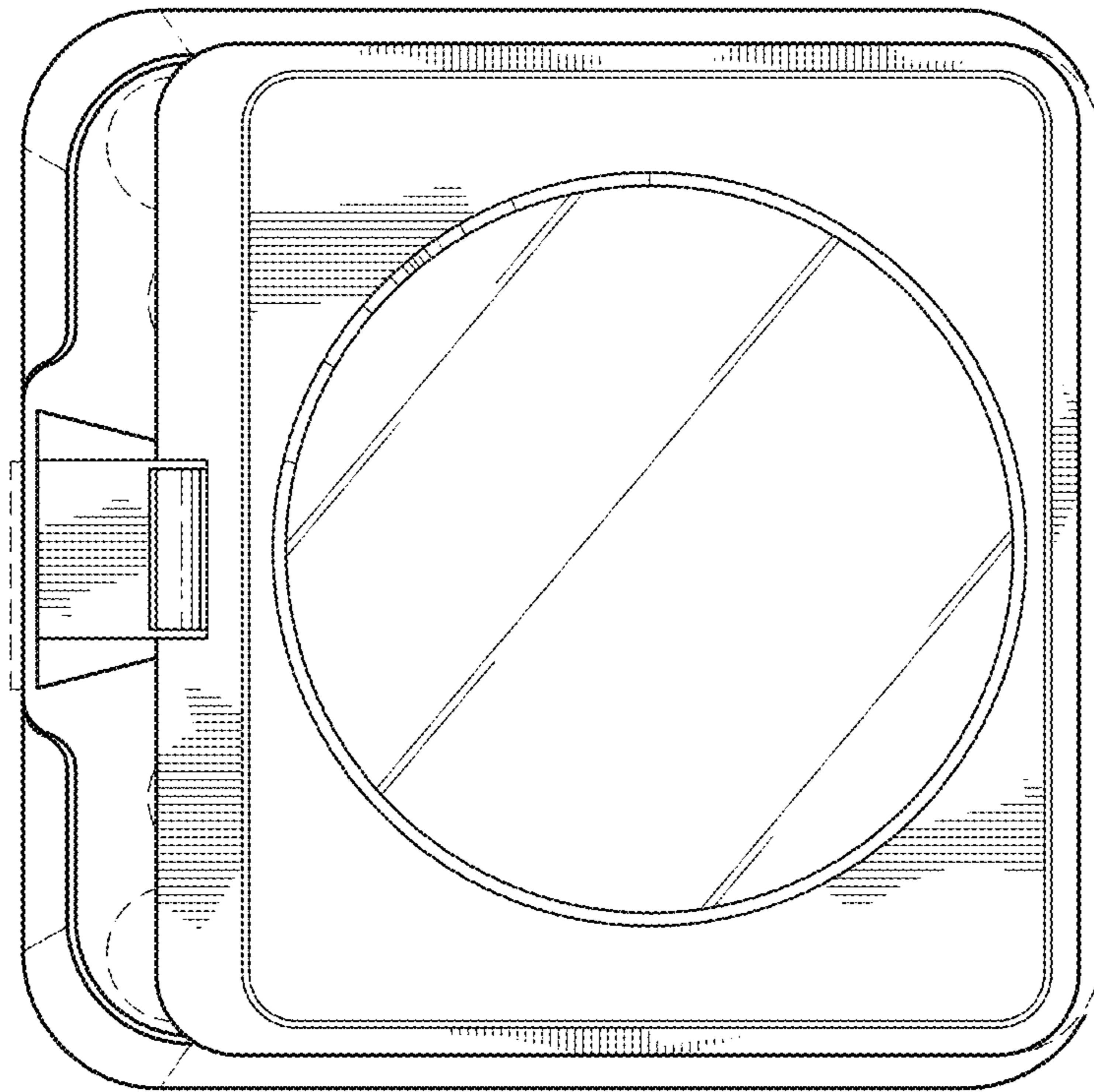


FIG. 6

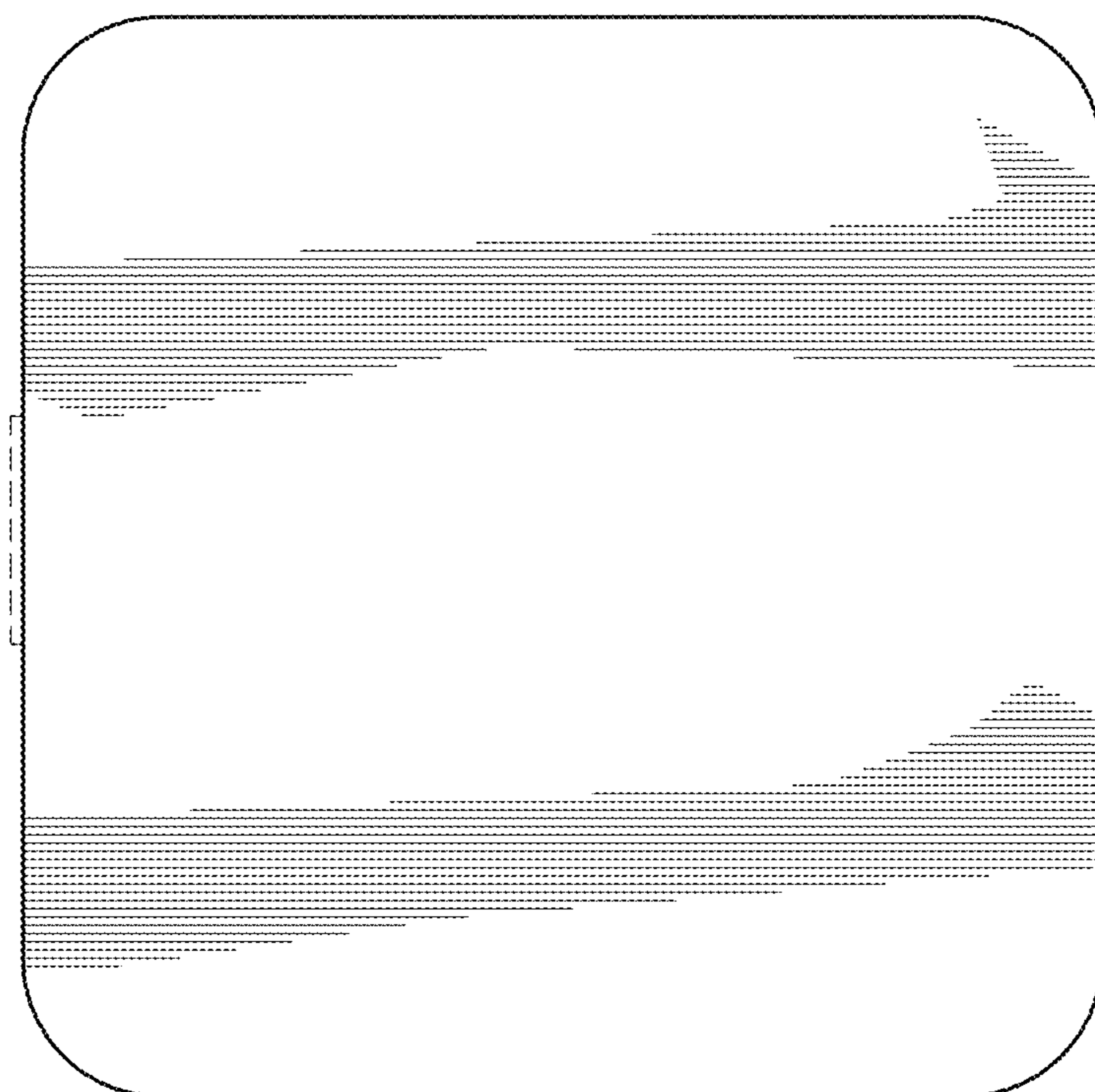


FIG. 7