



US00D773547S

(12) **United States Design Patent**
Lee et al.

(10) **Patent No.:** **US D773,547 S**
(45) **Date of Patent:** **** Dec. 6, 2016**

- (54) **CAMERA**
- (71) Applicant: **GoPro, Inc.**, San Mateo, CA (US)
- (72) Inventors: **Seungheon Lee**, Cupertino, CA (US);
Richard Gioscia, Santa Clara, CA (US);
Joshua P. Davies, Fremont, CA (US);
Evan L. Coons, San Mateo, CA (US)
- (73) Assignee: **GoPro, Inc.**, San Mateo, CA (US)
- (**) Term: **15 Years**
- (21) Appl. No.: **29/564,769**
- (22) Filed: **May 16, 2016**

Related U.S. Application Data

- (63) Continuation of application No. 29/544,451, filed on Nov. 3, 2015, now Pat. No. Des. 760,312, which is a continuation of application No. 29/500,164, filed on Aug. 21, 2014, now Pat. No. Des. 745,589.
- (51) **LOC (10) Cl.** **16-01**
- (52) **U.S. Cl.**
USPC **D16/218**
- (58) **Field of Classification Search**
USPC D9/414, 418, 427, 430, 432; D6/517,
D6/524, 527, 528, 531, 535, 559;
D14/172, D14/194, 204, 221; D16/200,
202–206, 208, D16/218, 219; 348/148,
372–376; 396/529, 535, 396/539–541
CPC G03B 15/03; G03B 17/02; G03B 17/04;
G03B 17/56; G03B 19/04; H04N 5/2251;
H04N 5/2252; H04N 5/2253; H04N
5/2254; H04N 2101/00
See application file for complete search history.

(56) **References Cited**

U.S. PATENT DOCUMENTS

- D441,386 S * 5/2001 Yamazaki D16/203
- D442,982 S * 5/2001 Adachi D16/203

- D544,463 S * 6/2007 Harris D14/168
- D616,480 S * 5/2010 Ookawa D16/218
- D647,935 S * 11/2011 Raken D16/202
- 8,467,675 B2 * 6/2013 Chen G03B 17/02
348/374
- D713,868 S * 9/2014 Yang D16/202
- D727,387 S * 4/2015 Hasegawa D16/203
- D727,991 S * 4/2015 Hasegawa D16/203
- D729,761 S * 5/2015 Hu D14/194
- D730,423 S * 5/2015 Vandebussche D16/218
- 2011/0216195 A1 * 9/2011 Tanaka H04N 5/2253
348/148
- 2013/0321696 A1 * 12/2013 Bae H04N 5/2252
348/372

* cited by examiner

Primary Examiner — Philip S Hyder
Assistant Examiner — Ramzi Almatrahi
(74) *Attorney, Agent, or Firm* — Fenwick & West LLP

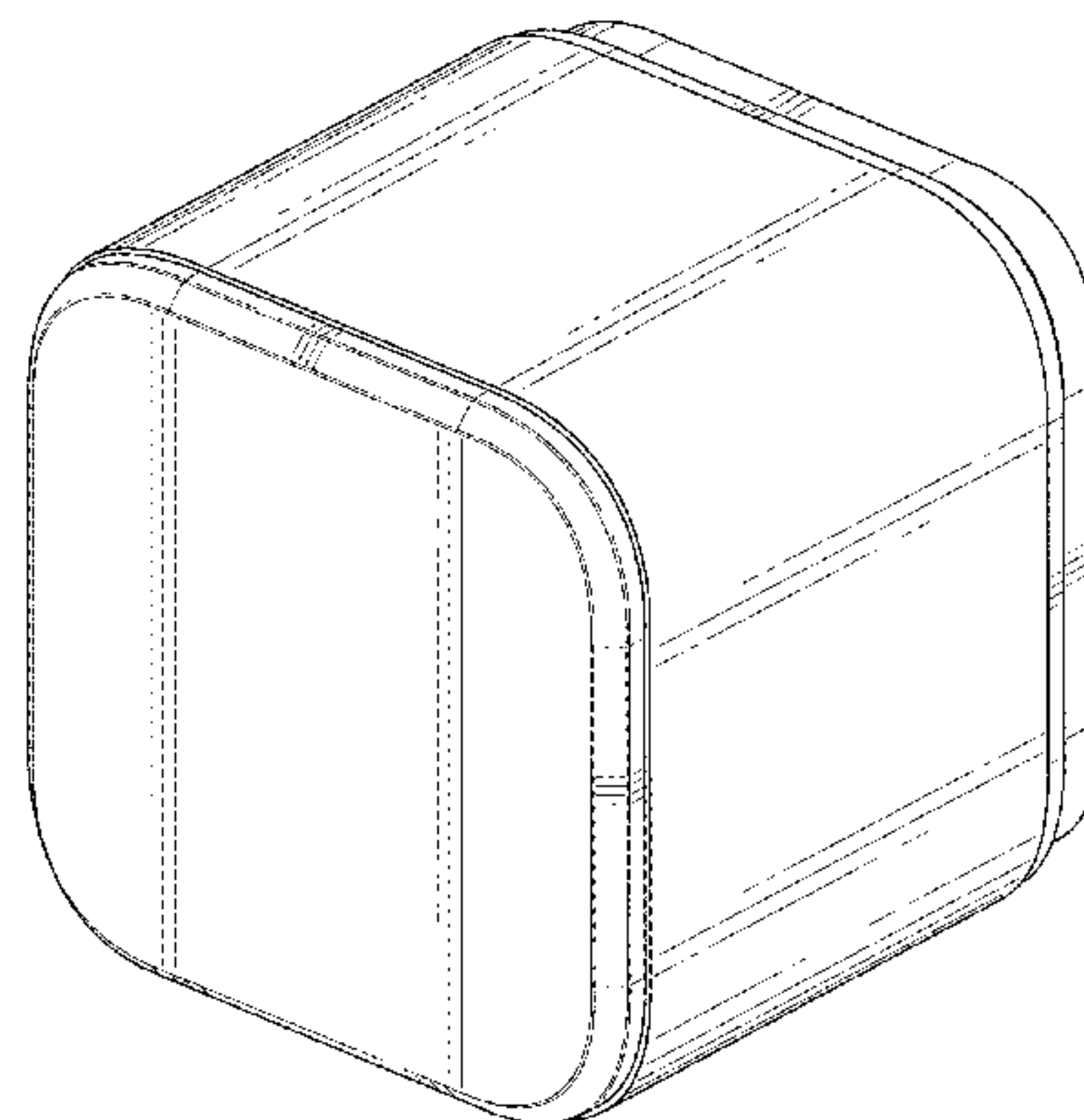
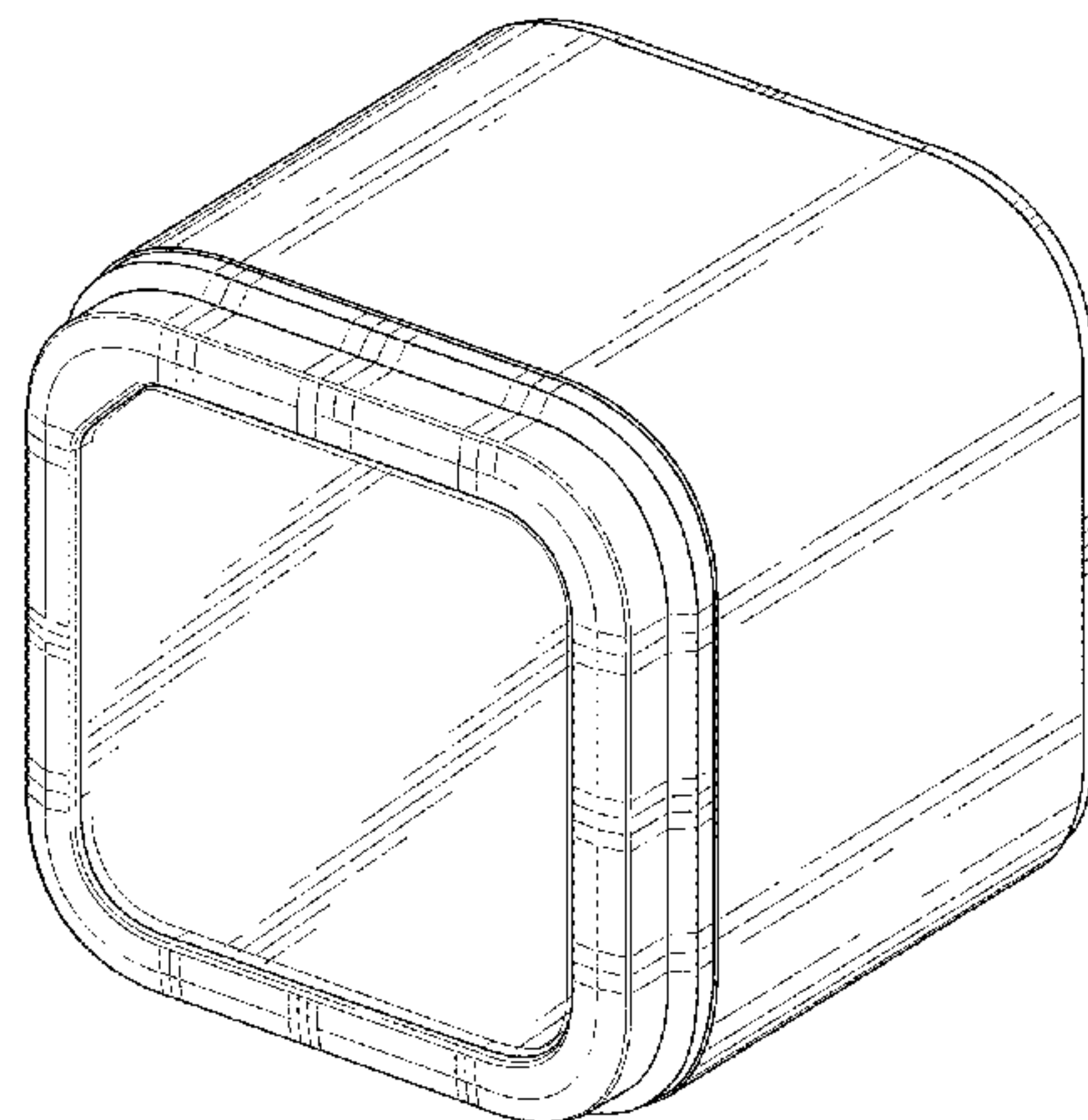
(57) **CLAIM**

The ornamental design for a camera, as shown and described.

DESCRIPTION

FIG. 1 is a front, top, and right side perspective view of a camera;
FIG. 2 is a front, bottom, and left side perspective view thereof;
FIG. 3 is a rear, top, and left side perspective view thereof;
FIG. 4 is a rear, bottom, and right side perspective view thereof;
FIG. 5 is a front elevational view thereof;
FIG. 6 is a rear elevational view thereof;
FIG. 7 is a right side elevational view thereof;
FIG. 8 is a left side elevational view thereof;
FIG. 9 is a top plan view thereof; and,
FIG. 10 is a bottom plan view thereof.

1 Claim, 10 Drawing Sheets



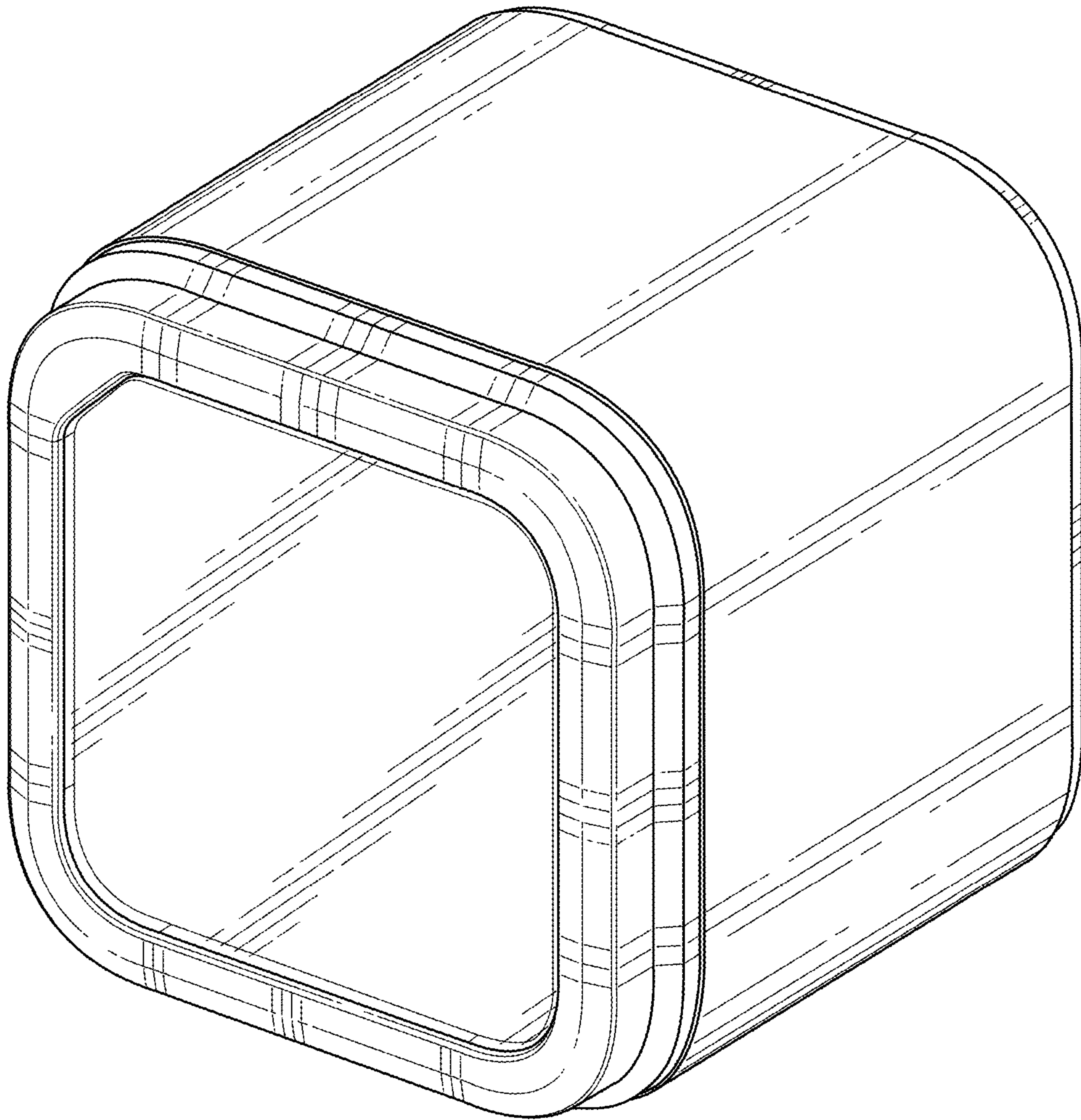


FIG. 1

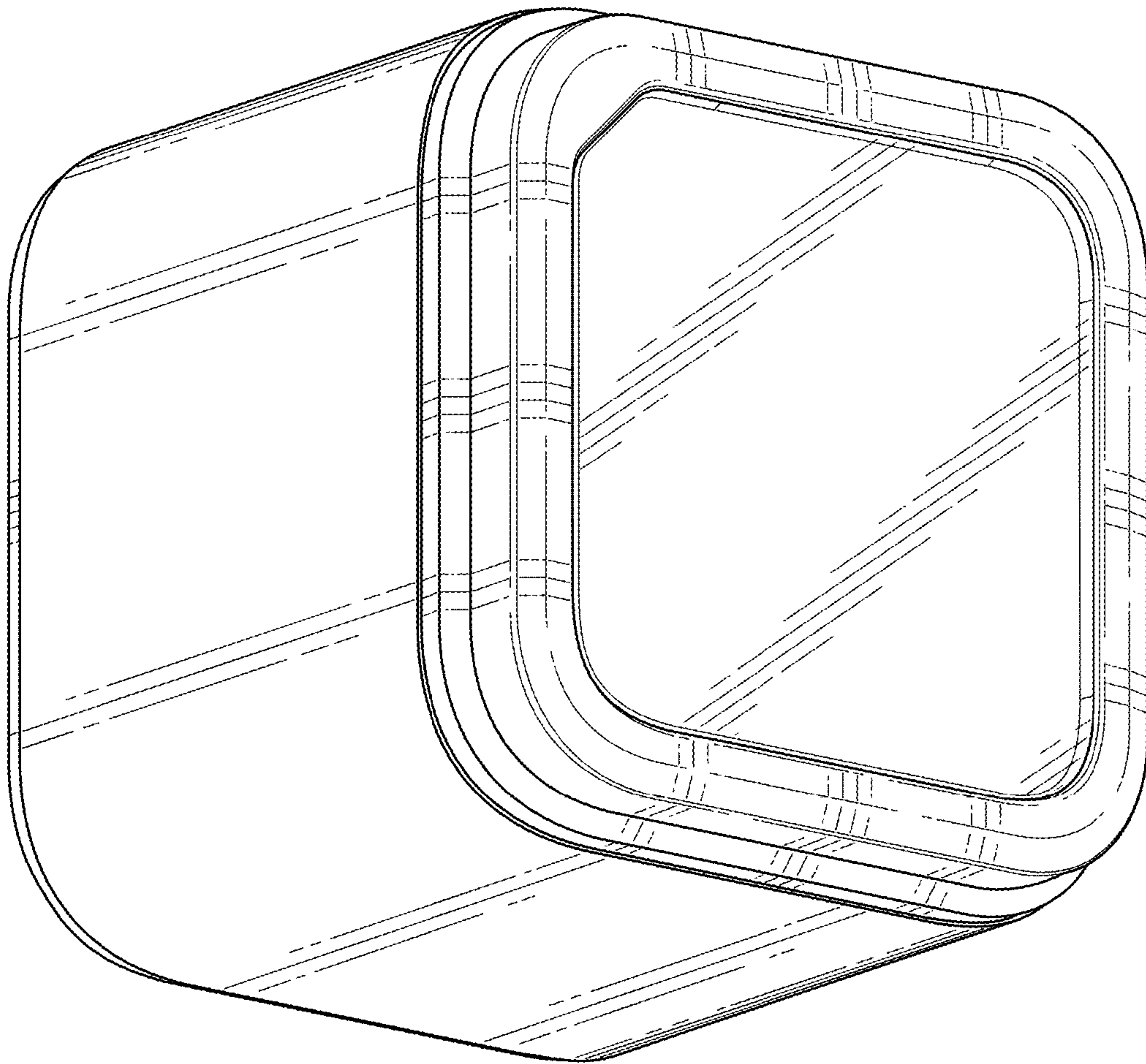


FIG. 2

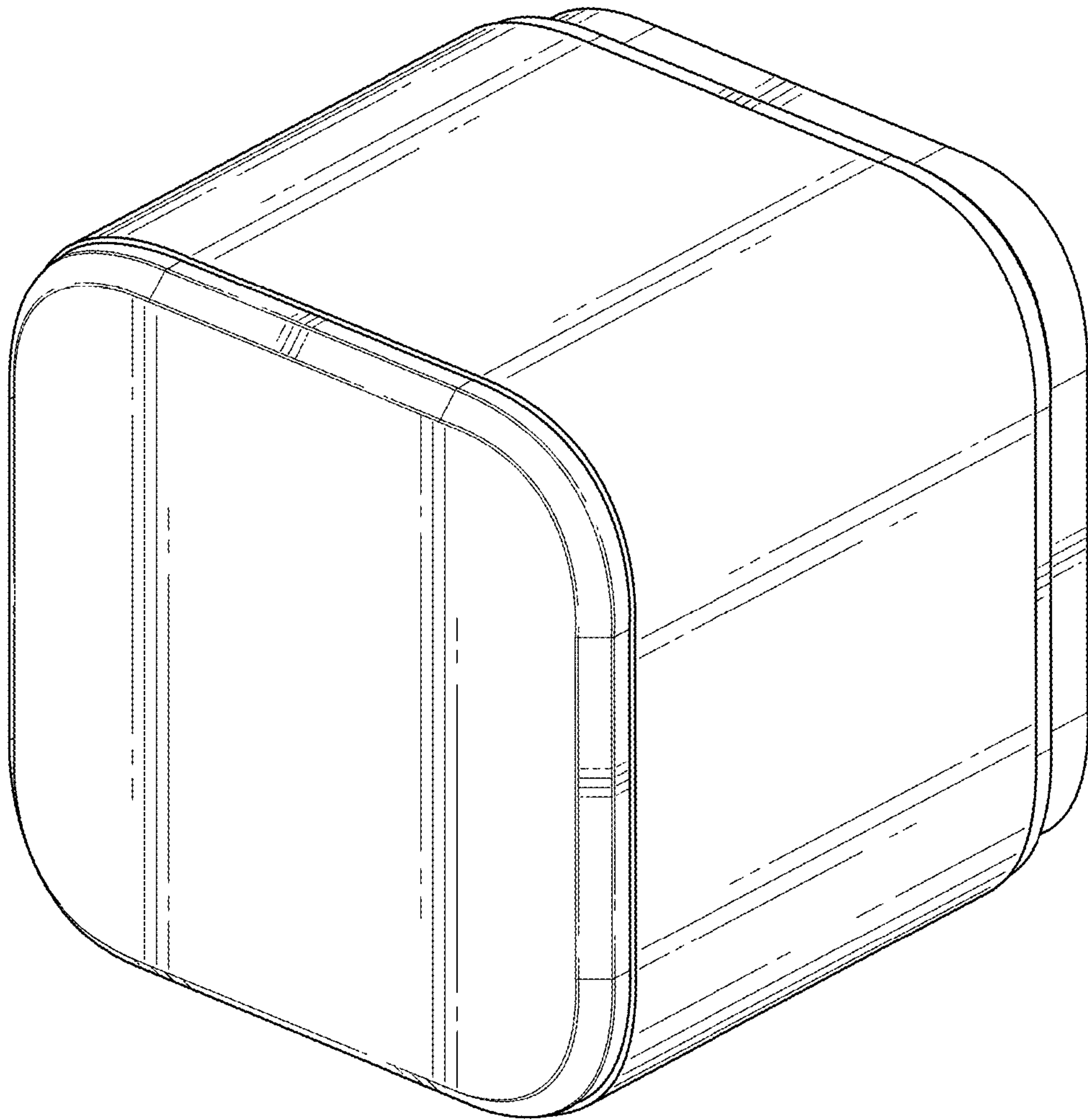


FIG. 3

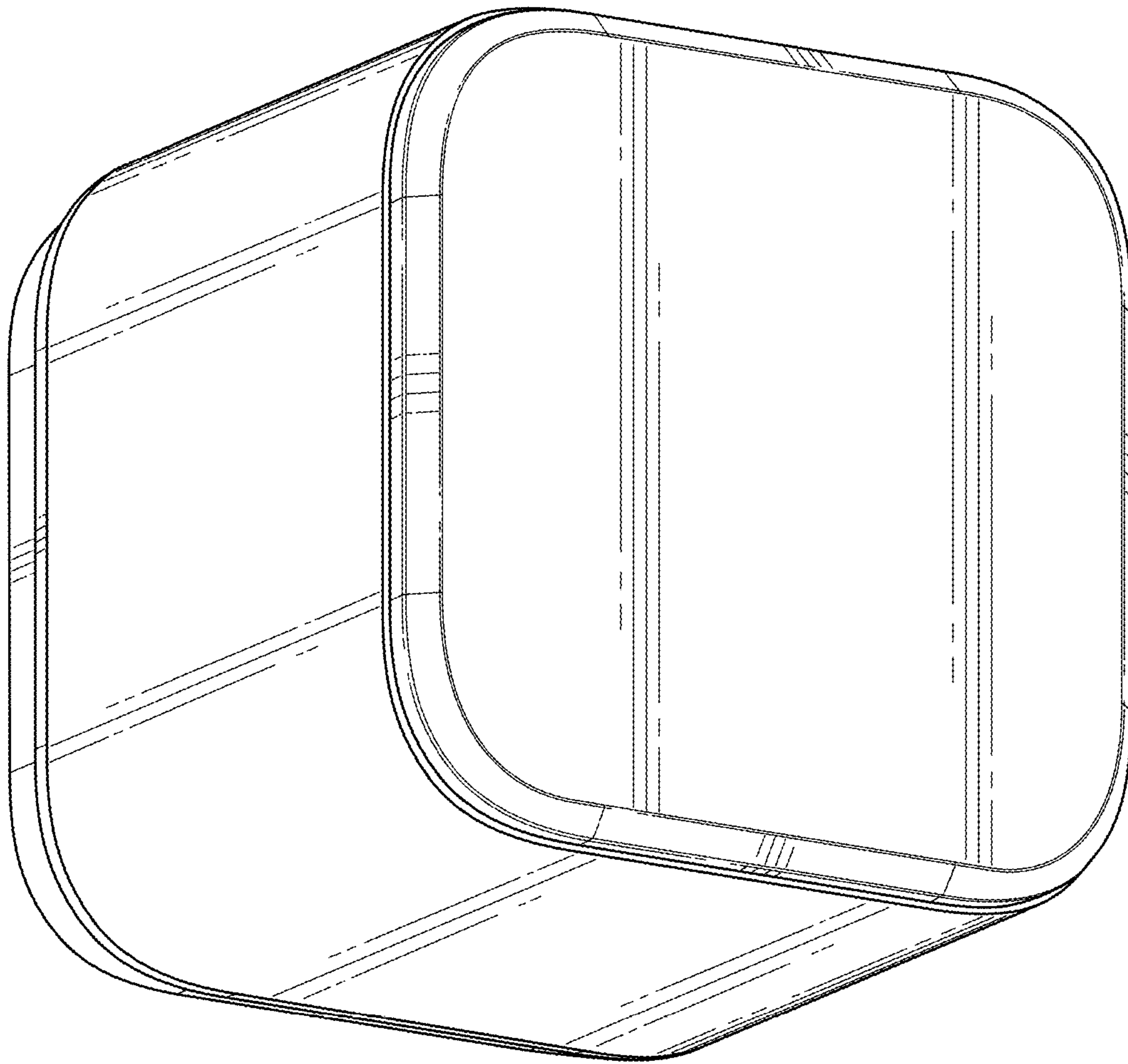


FIG. 4

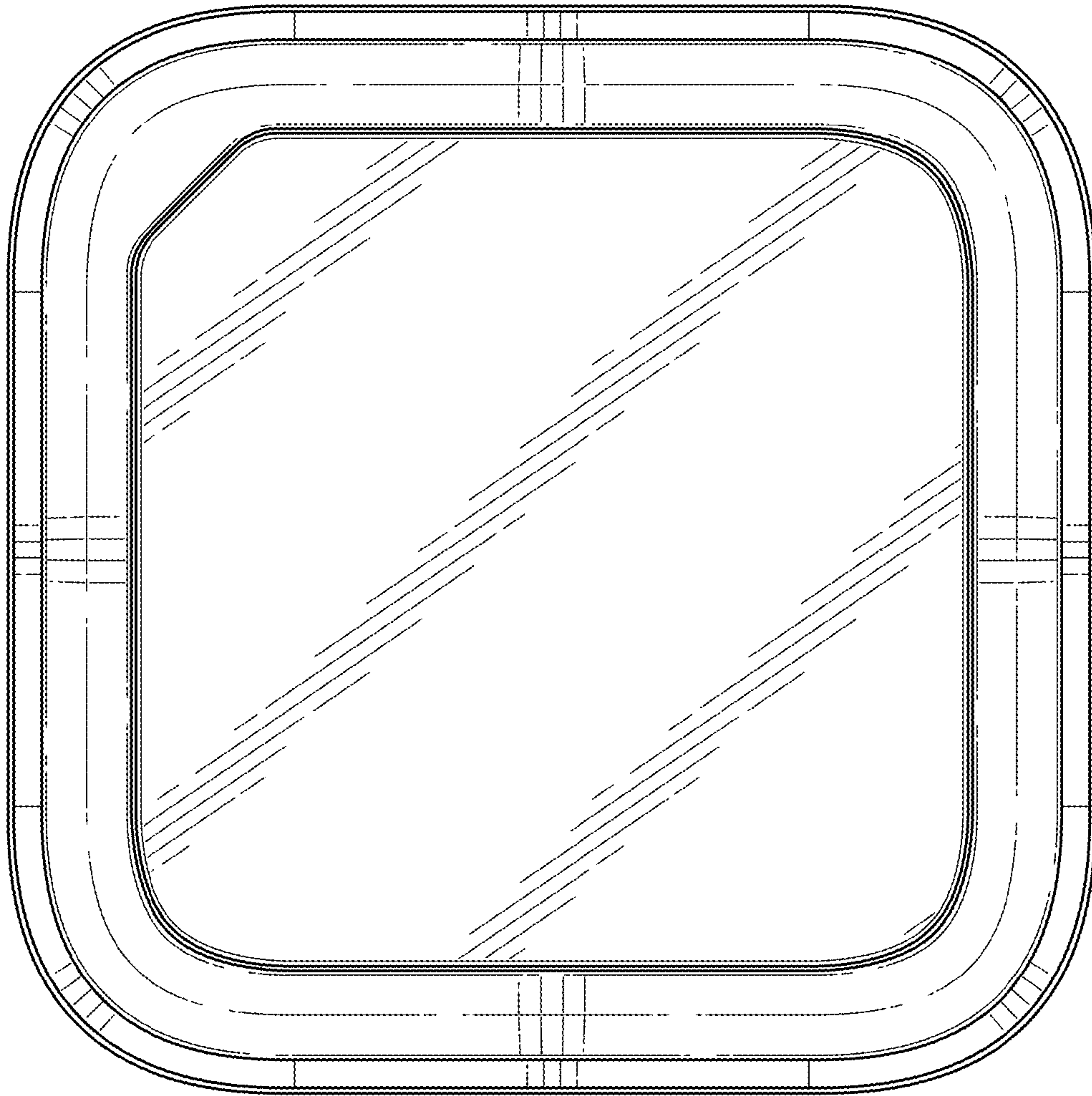


FIG. 5

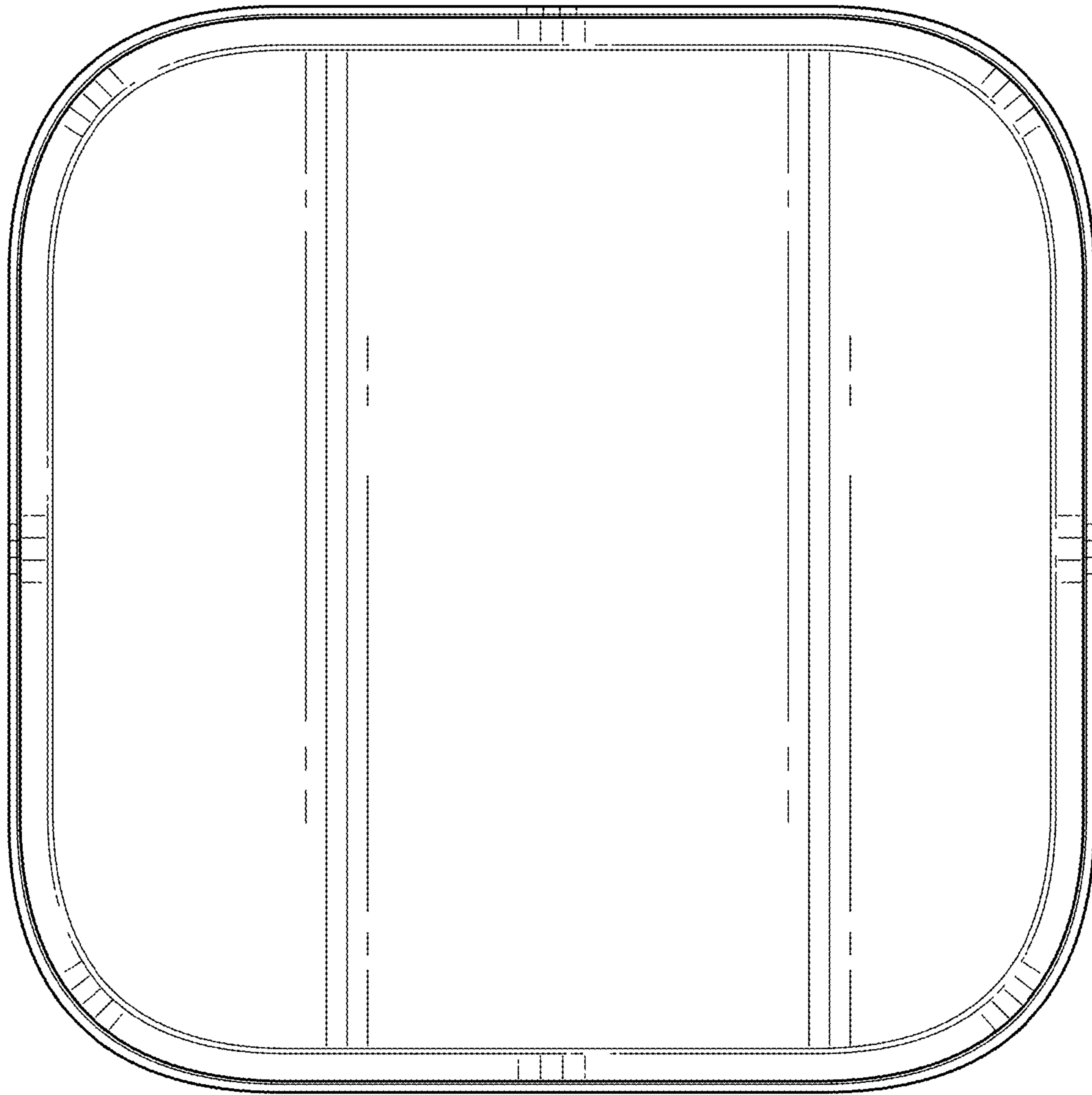


FIG. 6

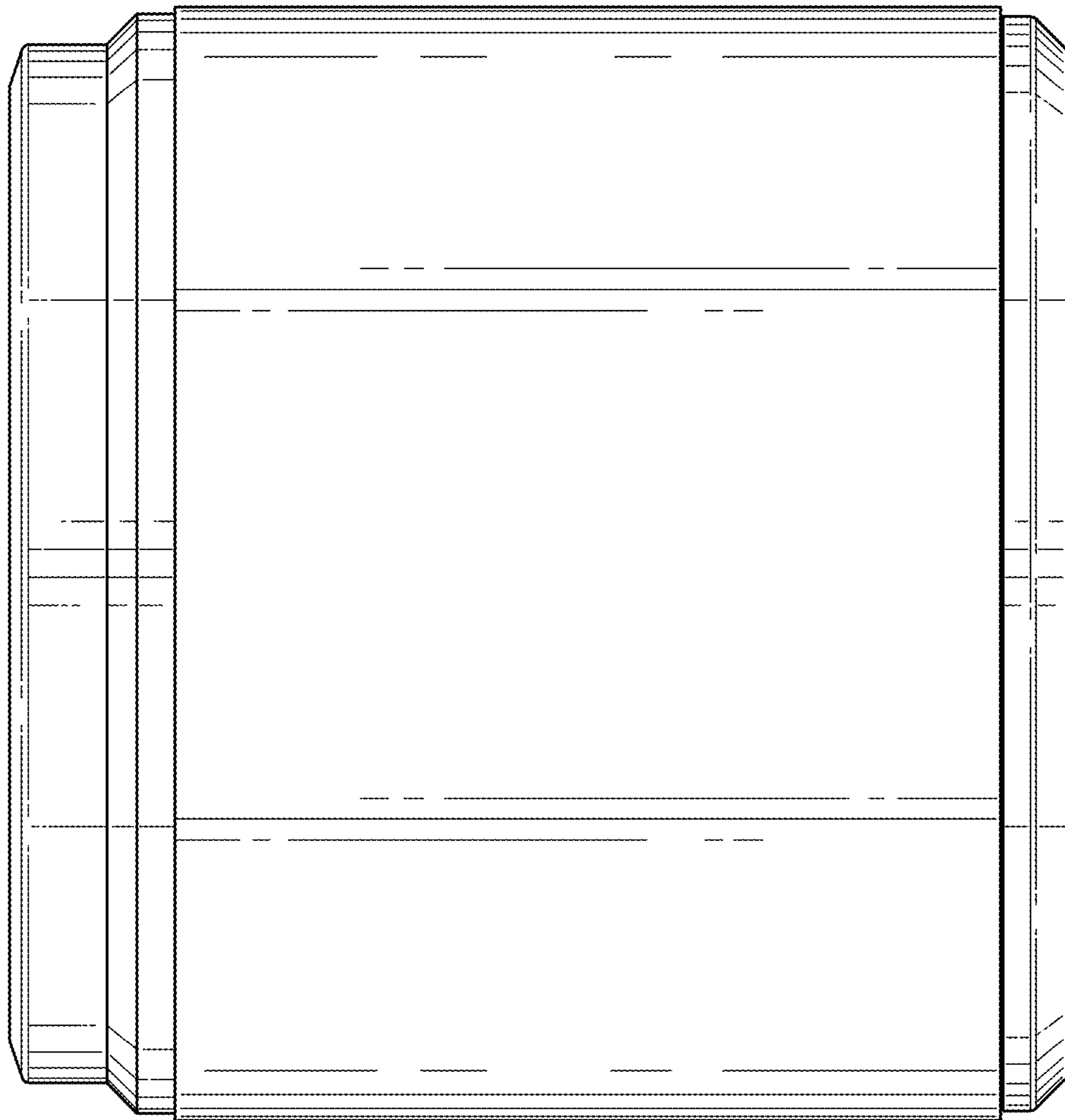


FIG. 7

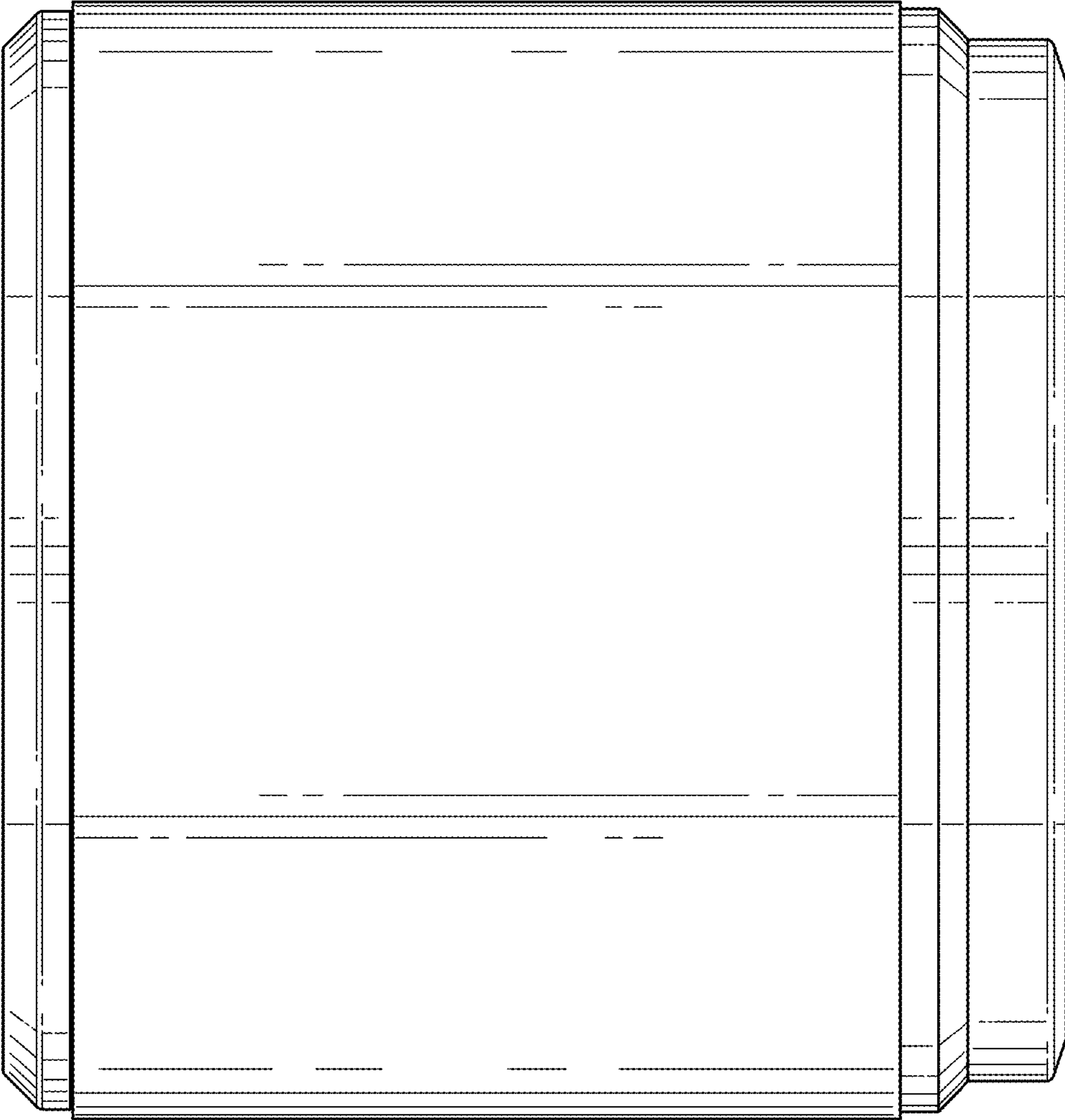


FIG. 8

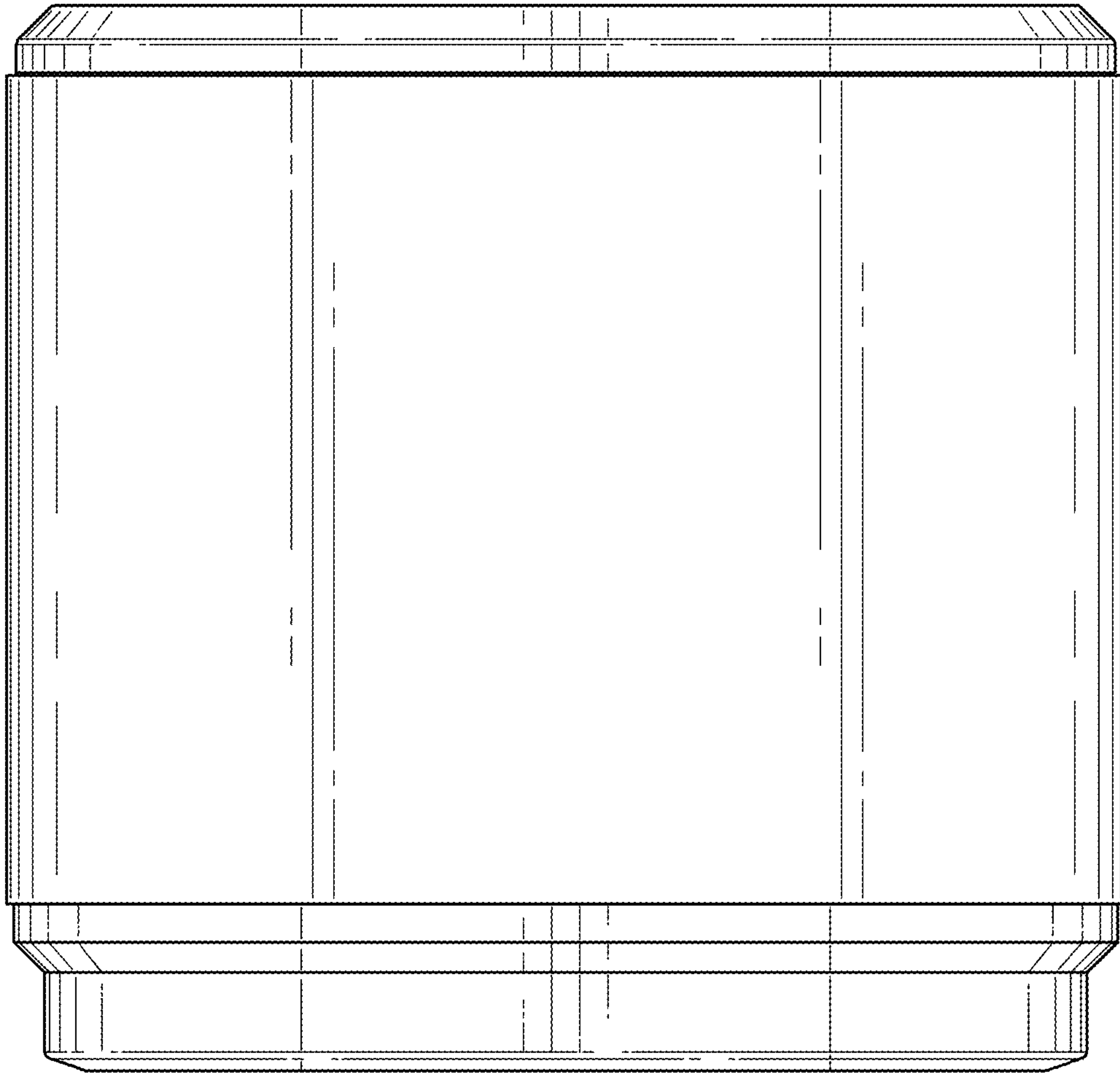


FIG. 9

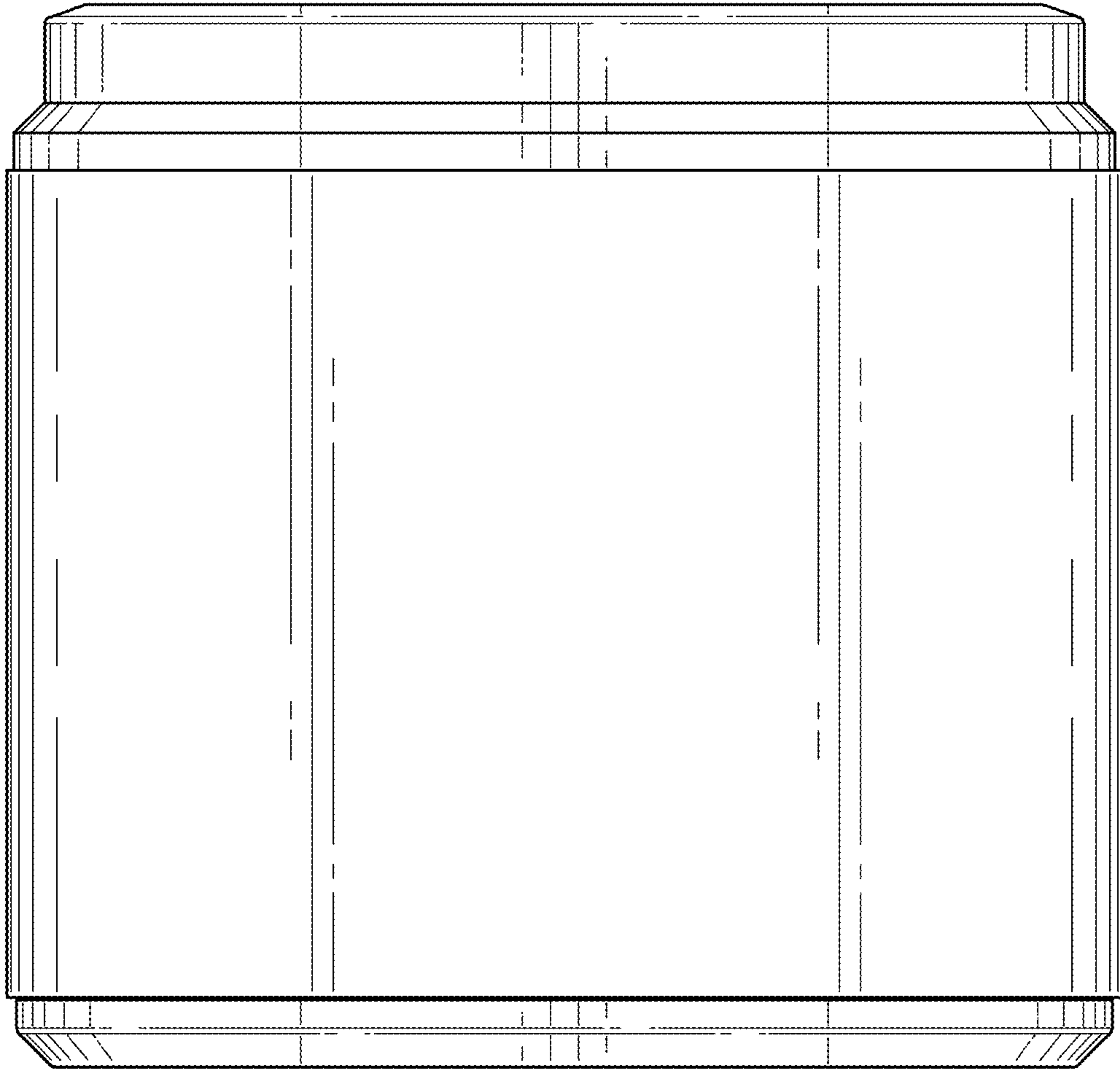


FIG. 10